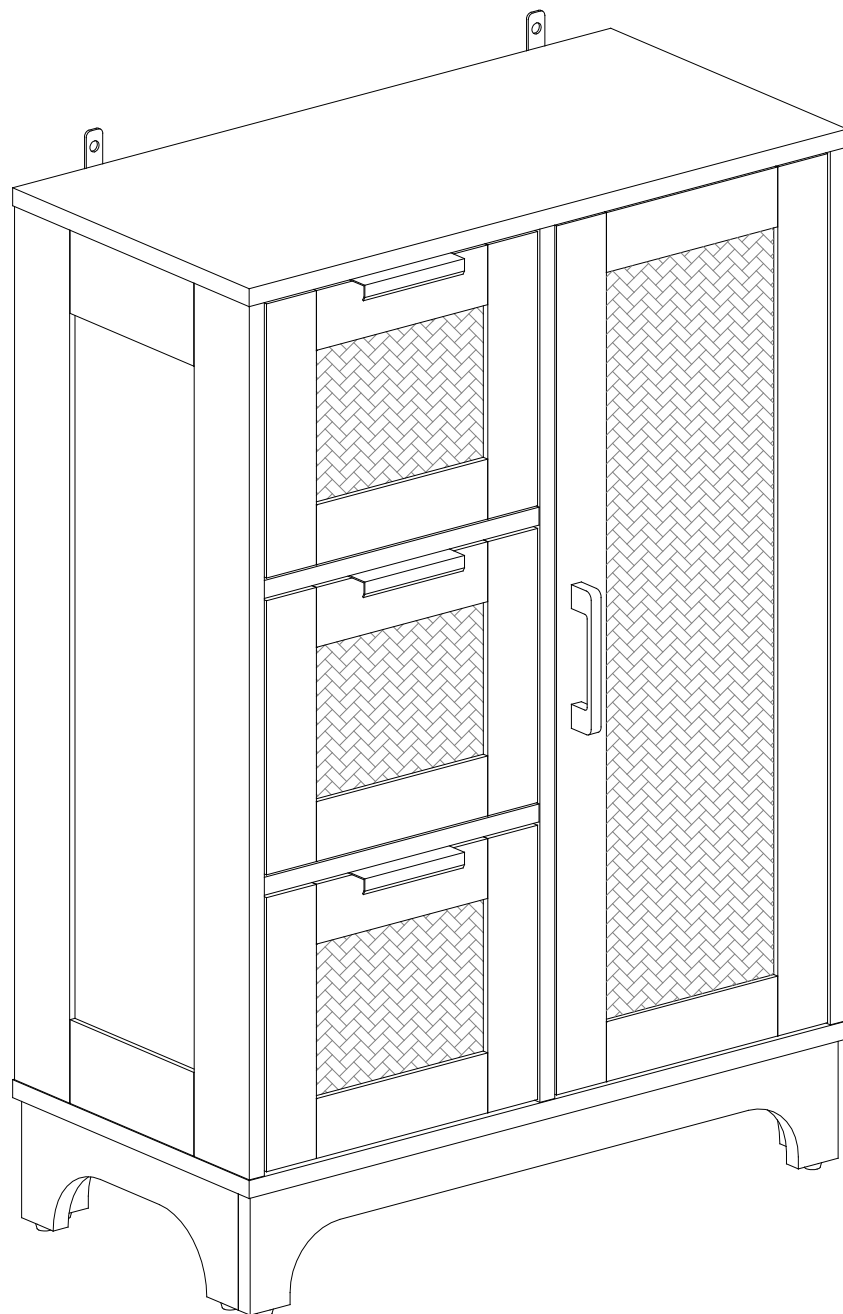


Three Extraction Cabinet

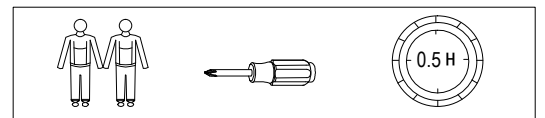
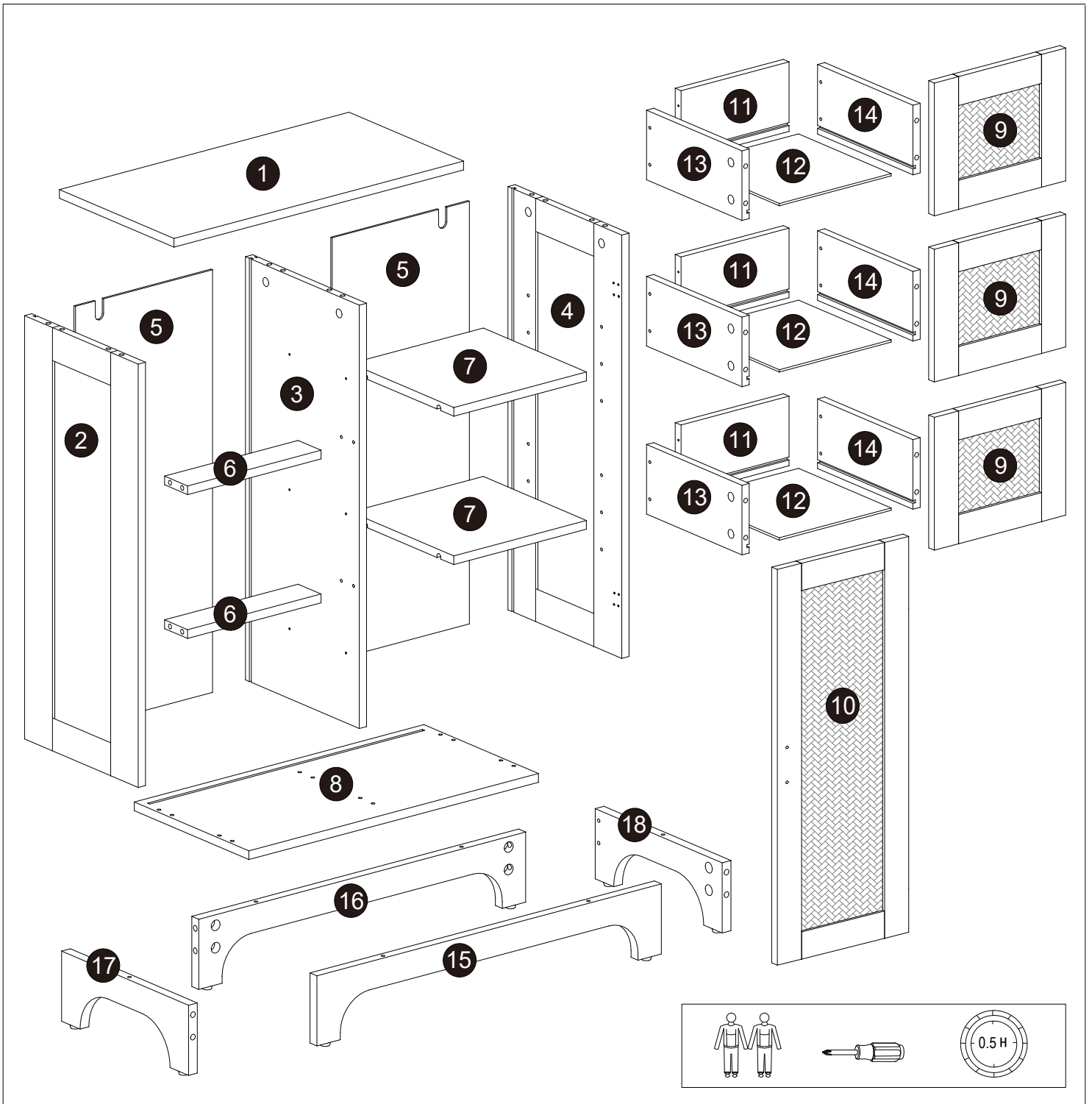


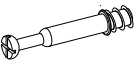





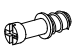
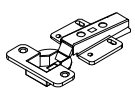
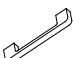
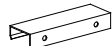
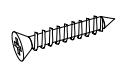


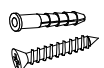

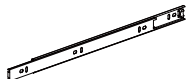
Warning:
Please read this instruction manual
carefully before using the product.

Version :1.0

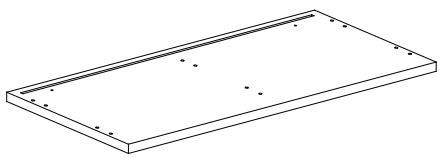
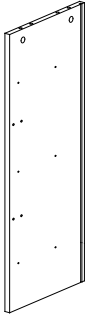
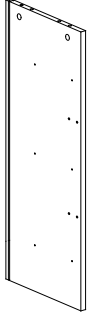
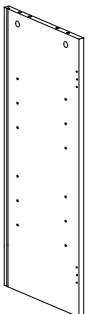
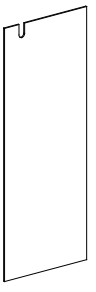
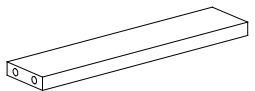
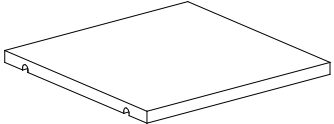
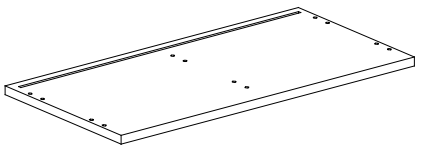
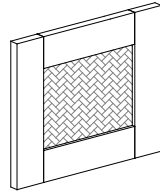
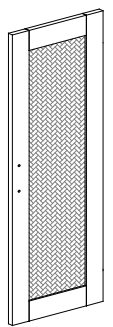
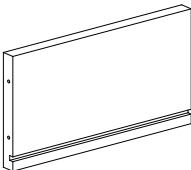
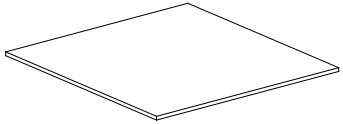
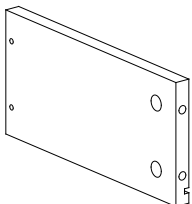
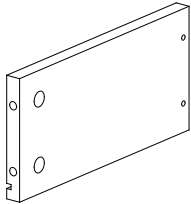
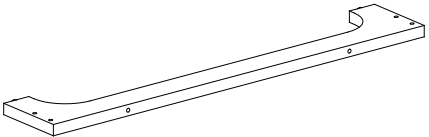
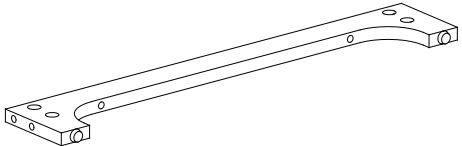
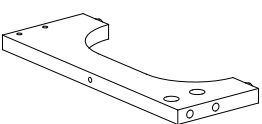
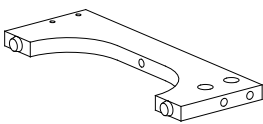
ASSEMBLY

INSTRUCTION



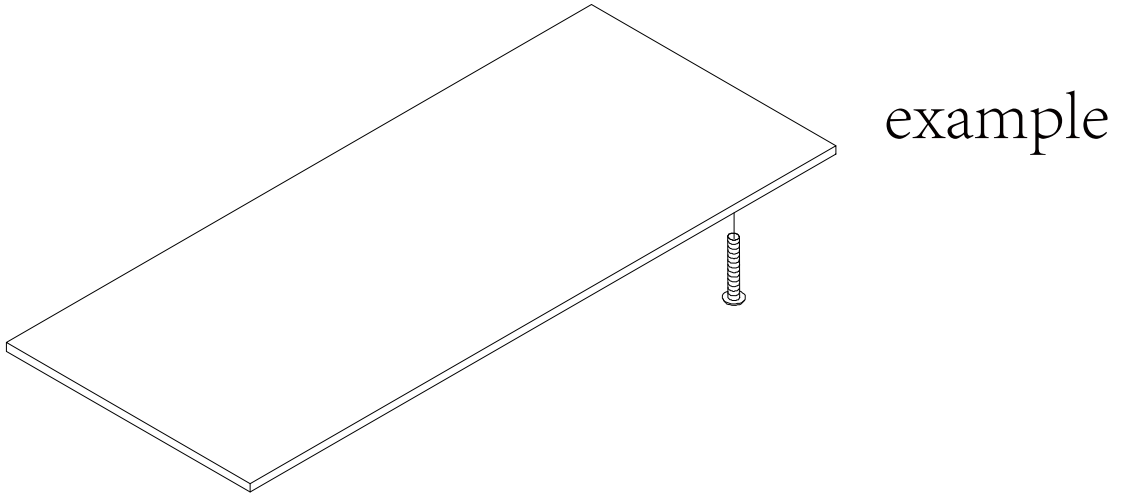
A x34 	B x34 	C x42  3x14mm	D x12 	E x18 	F x1  M4
G x8 	H x2 	J x1 	K x3 	L x6  4x35mm	M x2 
N x2 	O x2  4x30mm	P x2  4x14mm	Q x6 		

ASSEMBLY INSTRUCTION

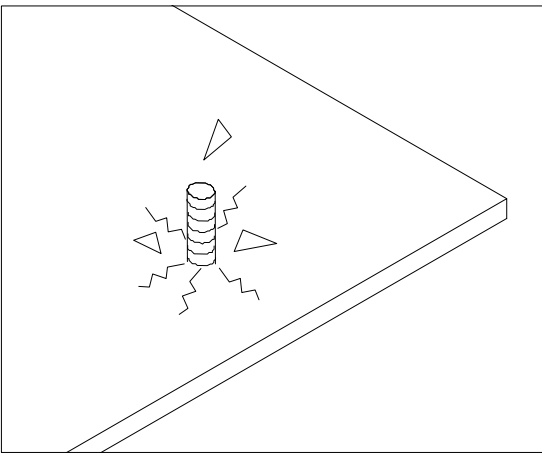
<p>①</p>  <p>x1</p>	<p>②</p>  <p>x1</p>	<p>③</p>  <p>x1</p>
<p>④</p>  <p>x1</p>	<p>⑤</p>  <p>x2</p>	<p>⑥</p>  <p>x2</p>
<p>⑦</p>  <p>x2</p>	<p>⑧</p>  <p>x1</p>	<p>⑨</p>  <p>x3</p>
<p>⑩</p>  <p>x1</p>	<p>⑪</p>  <p>x3</p>	<p>⑫</p>  <p>x3</p>
<p>⑬</p>  <p>x3</p>	<p>⑭</p>  <p>x3</p>	<p>⑮</p>  <p>x1</p>
<p>⑯</p>  <p>x1</p>	 <p>x1</p>	 <p>x1</p>

INSTALLATION INSTRUCTION

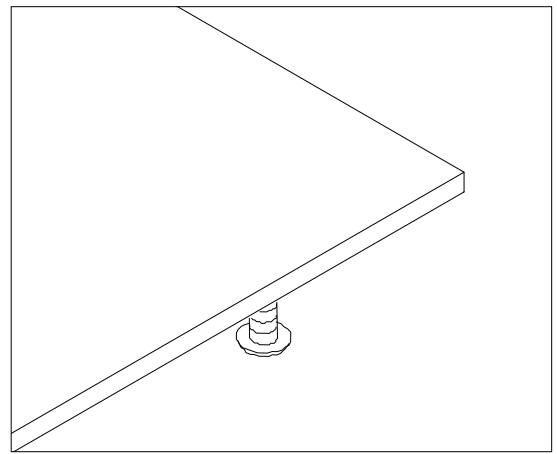
Matters needing attention



Be sure to use the proper screws to avoid damaging the parts



Wrong screws can cause the plank to crack

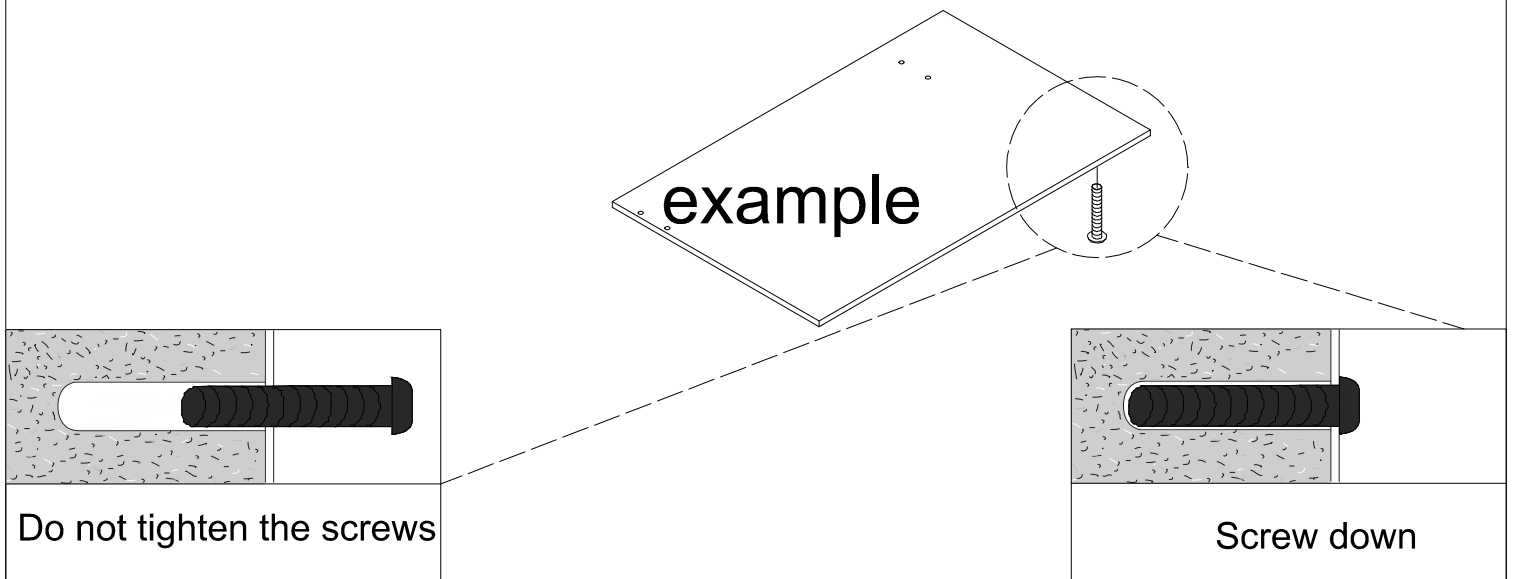


The right screw is the right size

ASSEMBLY INSTRUCTION

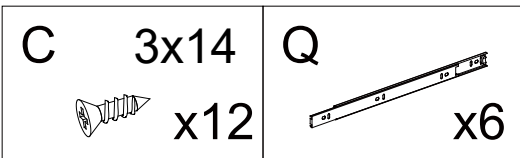
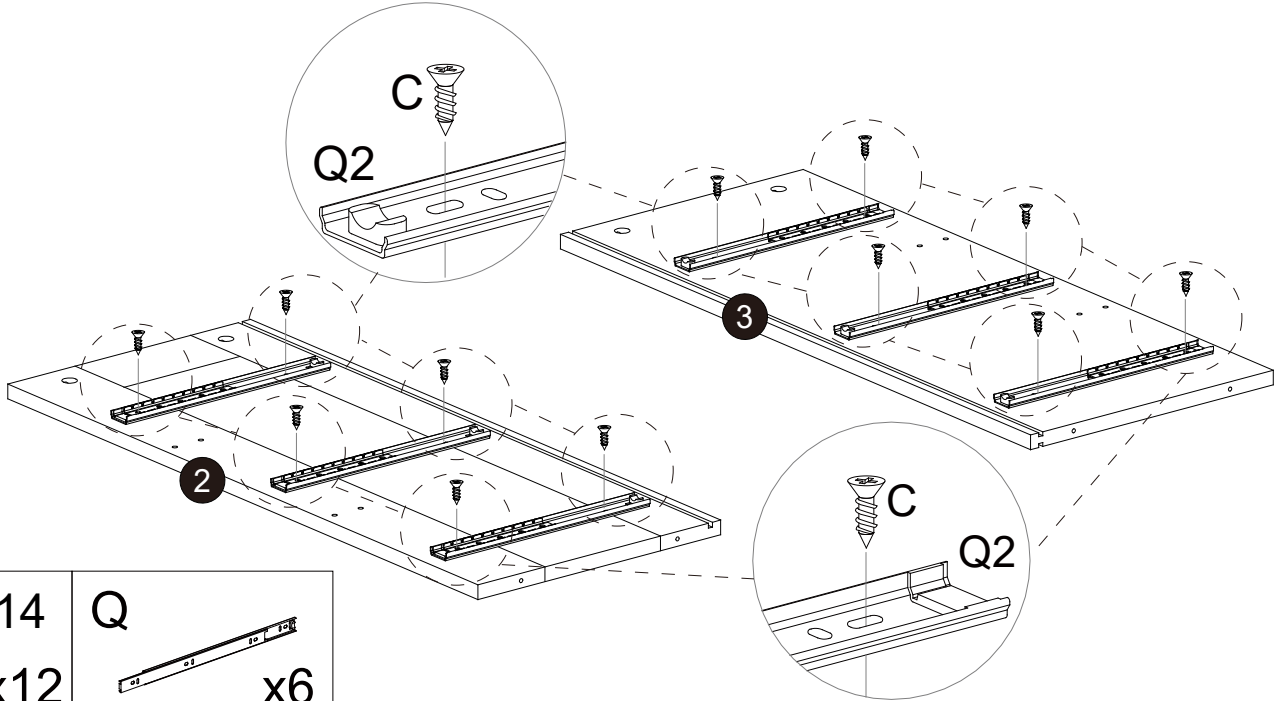
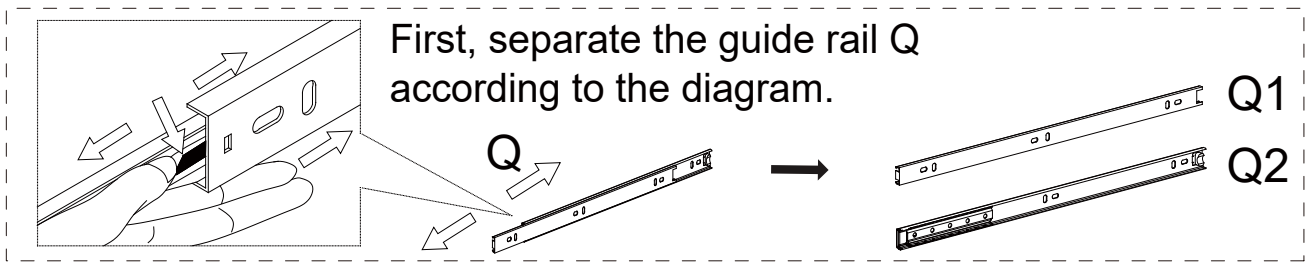
Matters needing attention

- (1) When installing the screws in the installation step, the screws do not need to be tightened. After this installation step is confirmed and the holes are aligned, then tighten all the screws.
- (2) If the screws are tightened during the installation process, it will cause problems such as misalignment of the screw holes and misalignment of the board in subsequent installations.

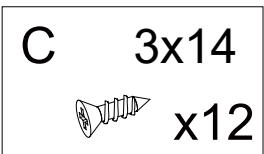
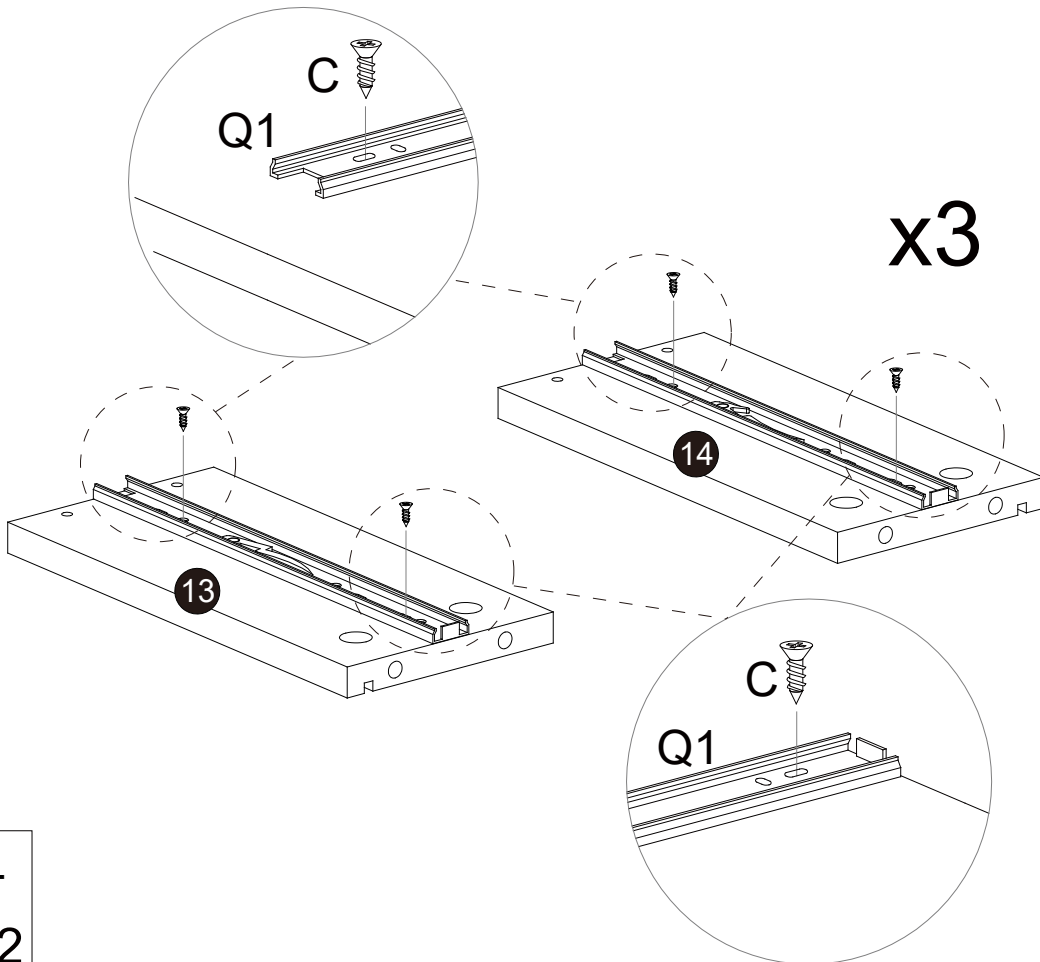


INSTALLATION INSTRUCTION

STEP 1

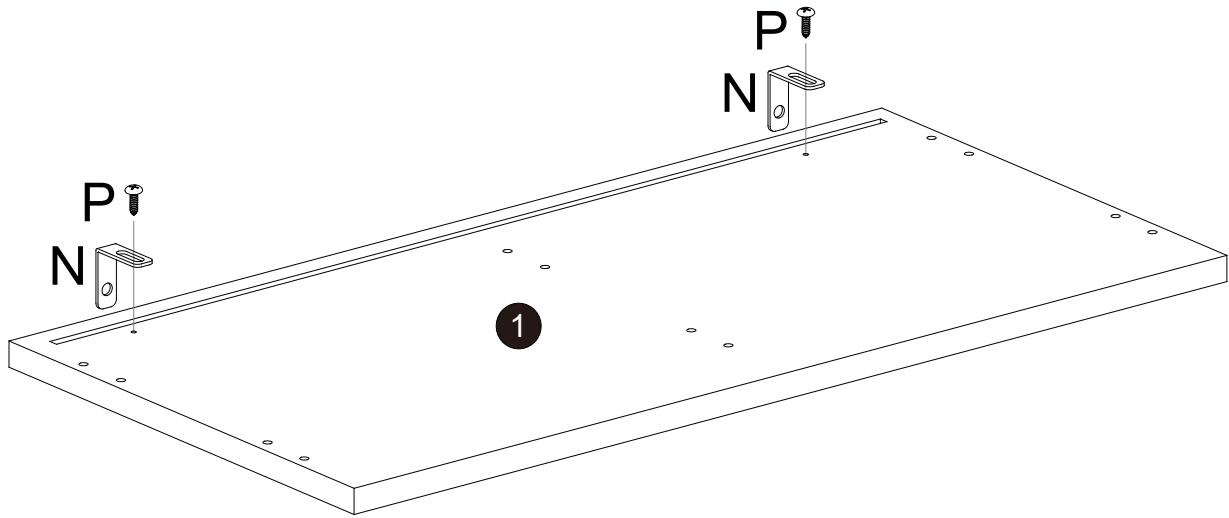



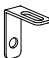
STEP 2



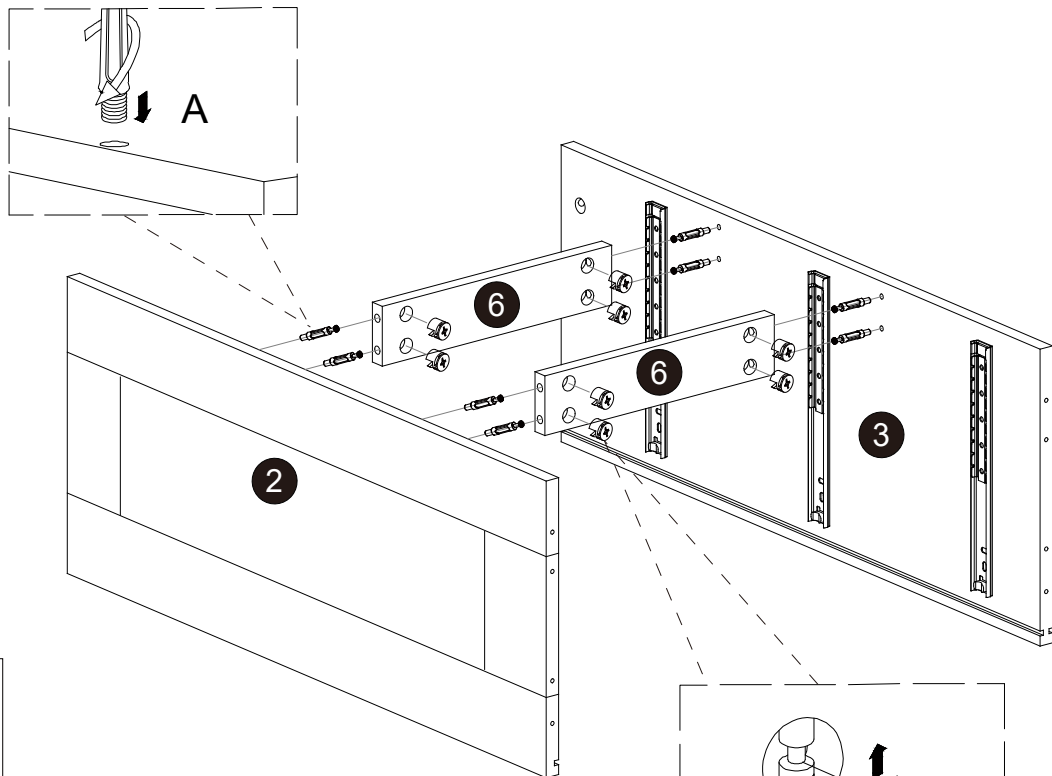
INSTALLATION INSTRUCTION

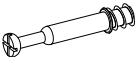

STEP 3

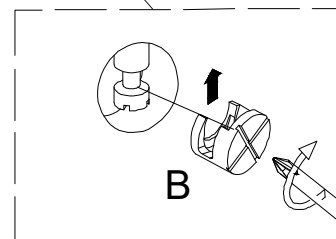


P	4x14	N	
	x2		x2

STEP 4

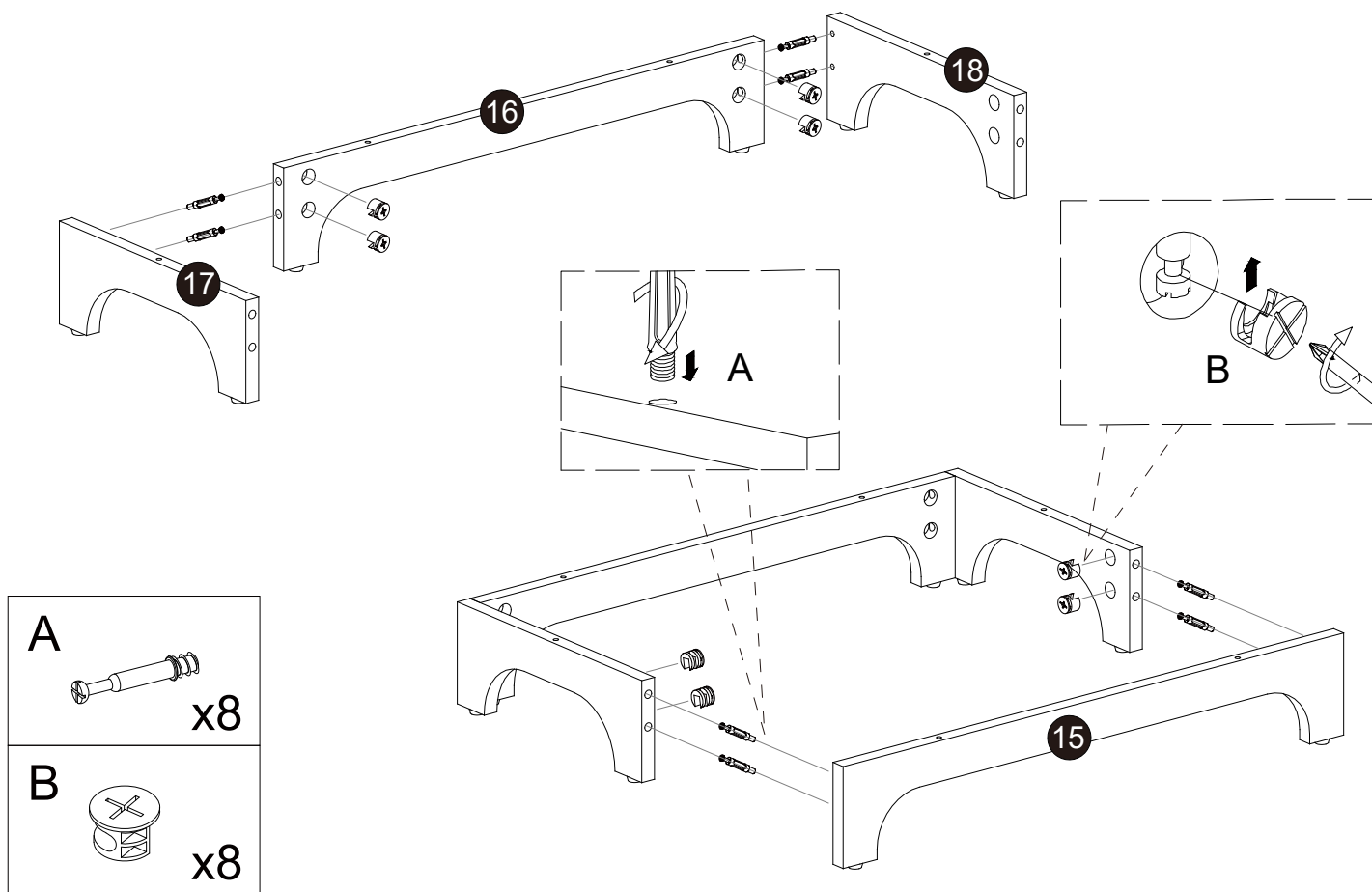


A		x8
B		x8

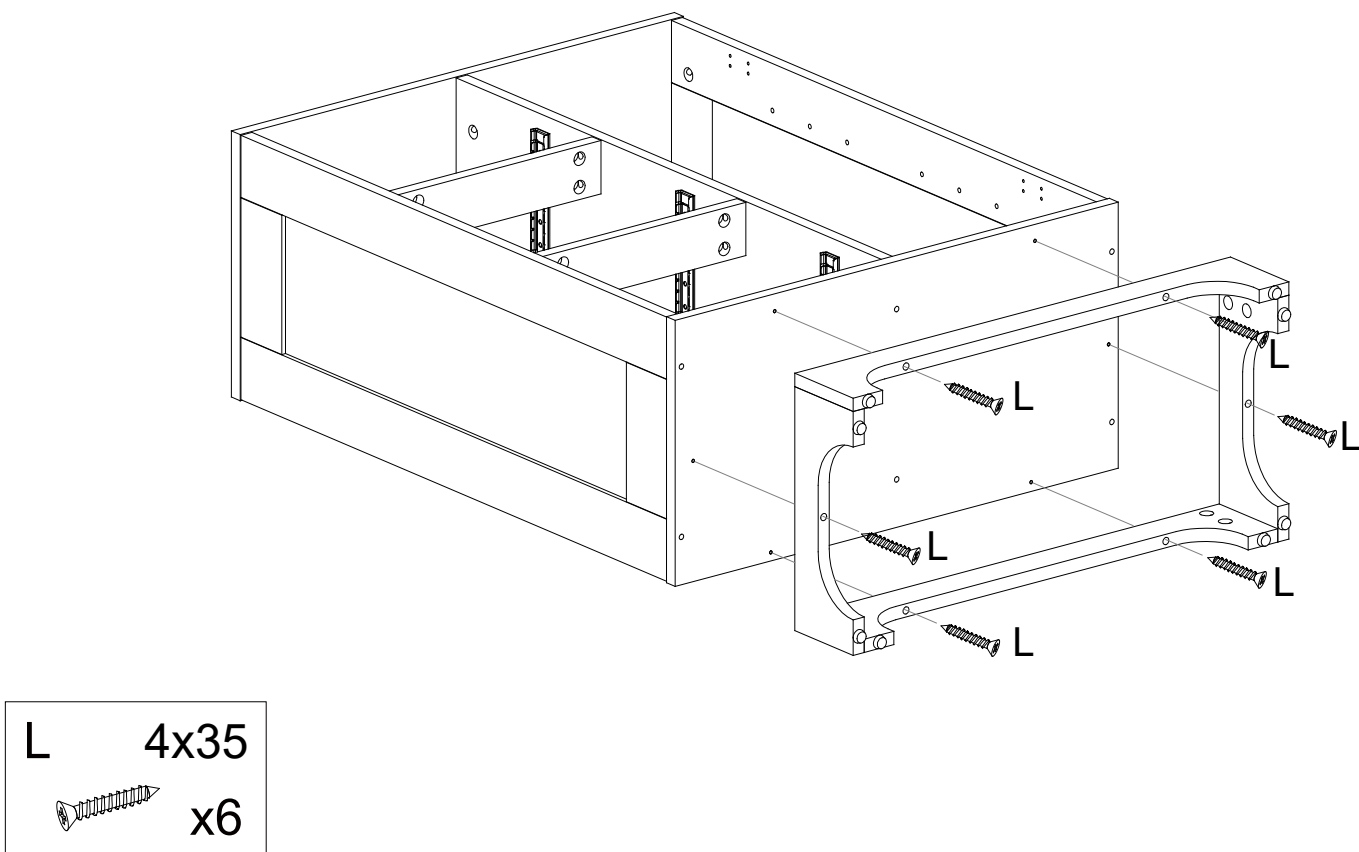


INSTALLATION INSTRUCTION

STEP 7

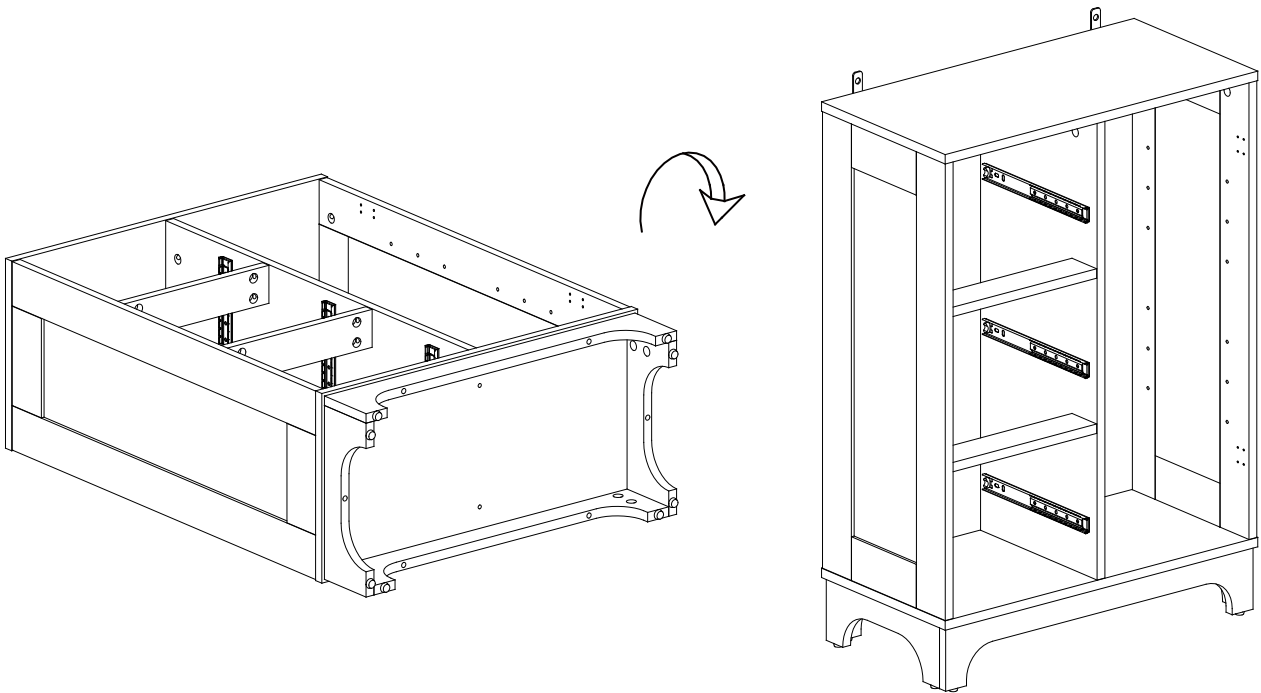


STEP 8

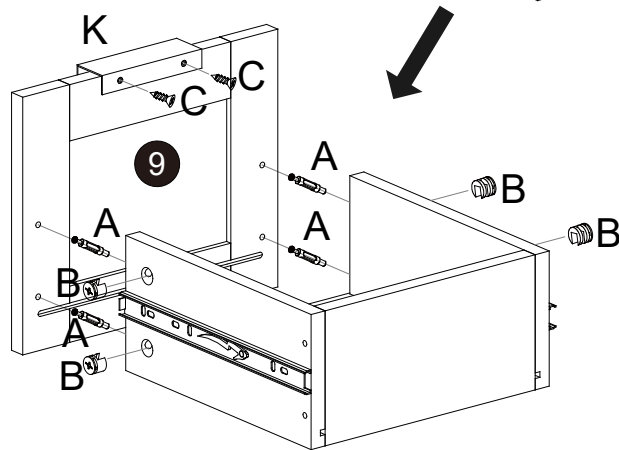
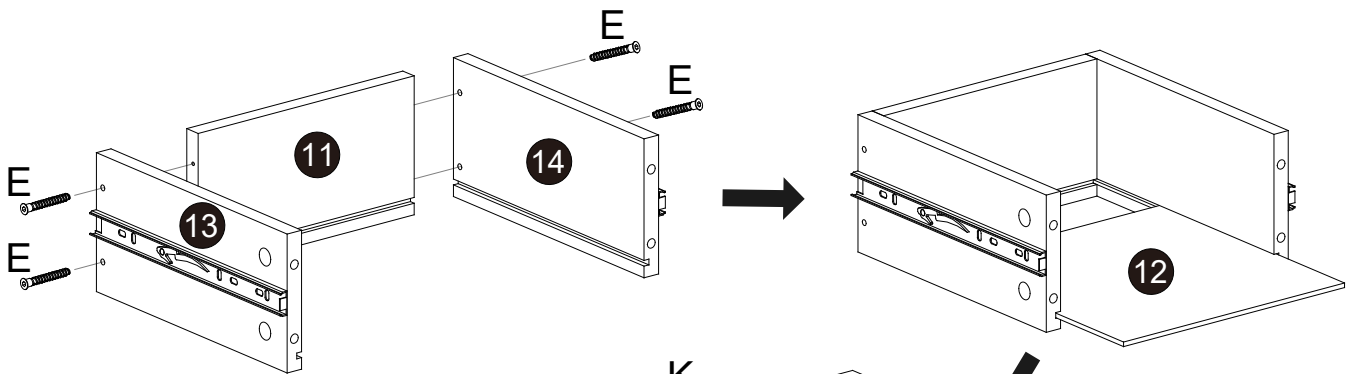



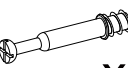
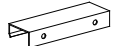


INSTALLATION INSTRUCTION

STEP 9



STEP 10

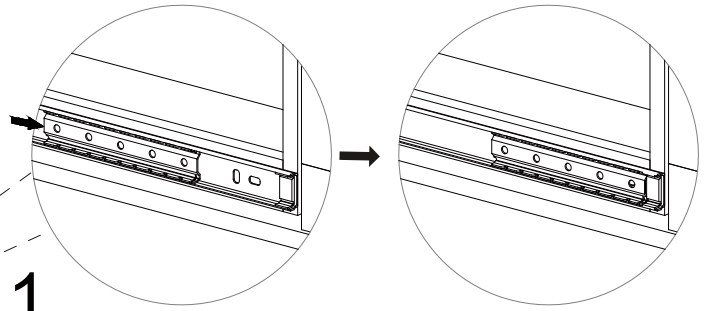
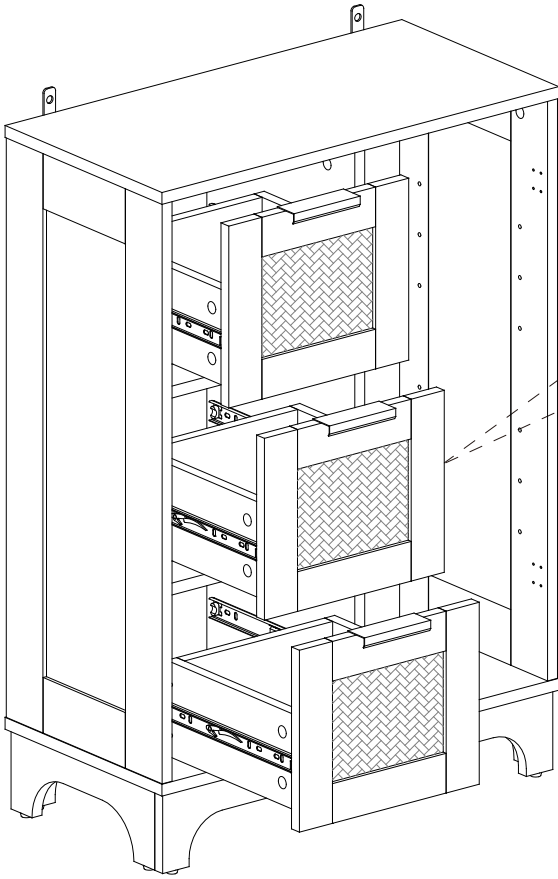


C  3x14 x6	
A  x12	K  x3
B  x12	E  x12

x3

INSTALLATION INSTRUCTION

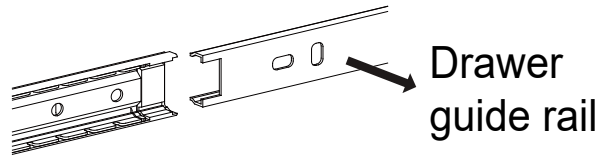
STEP 11



1

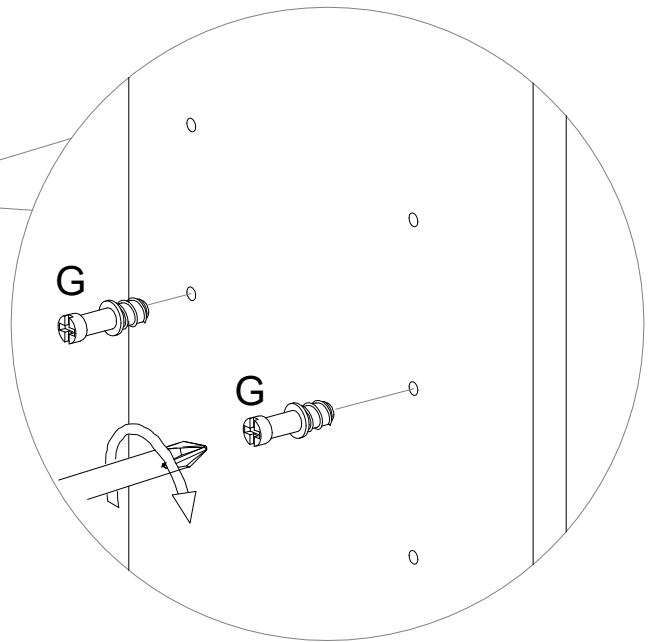
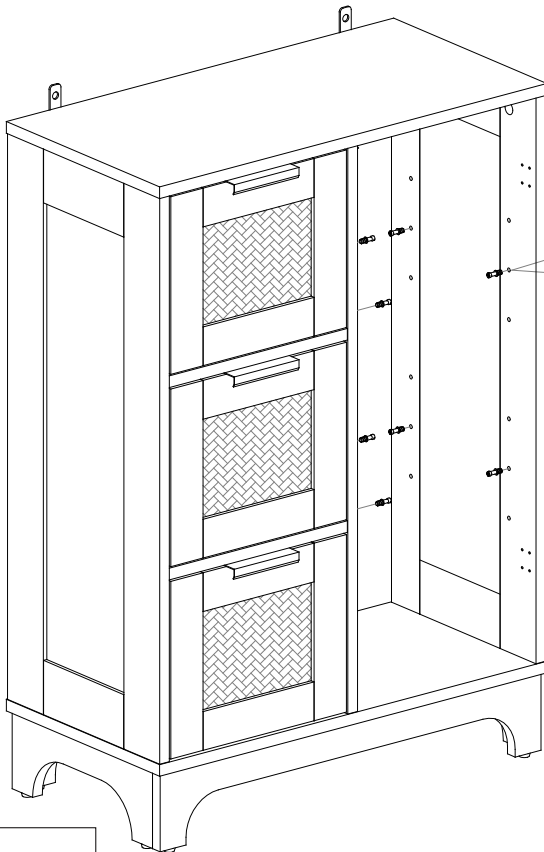
First, slide the iron plate on the guide rail to the far right.

2



Pay attention to the direction of the guide rail.

STEP 12



Please select one of the three rows of holes.

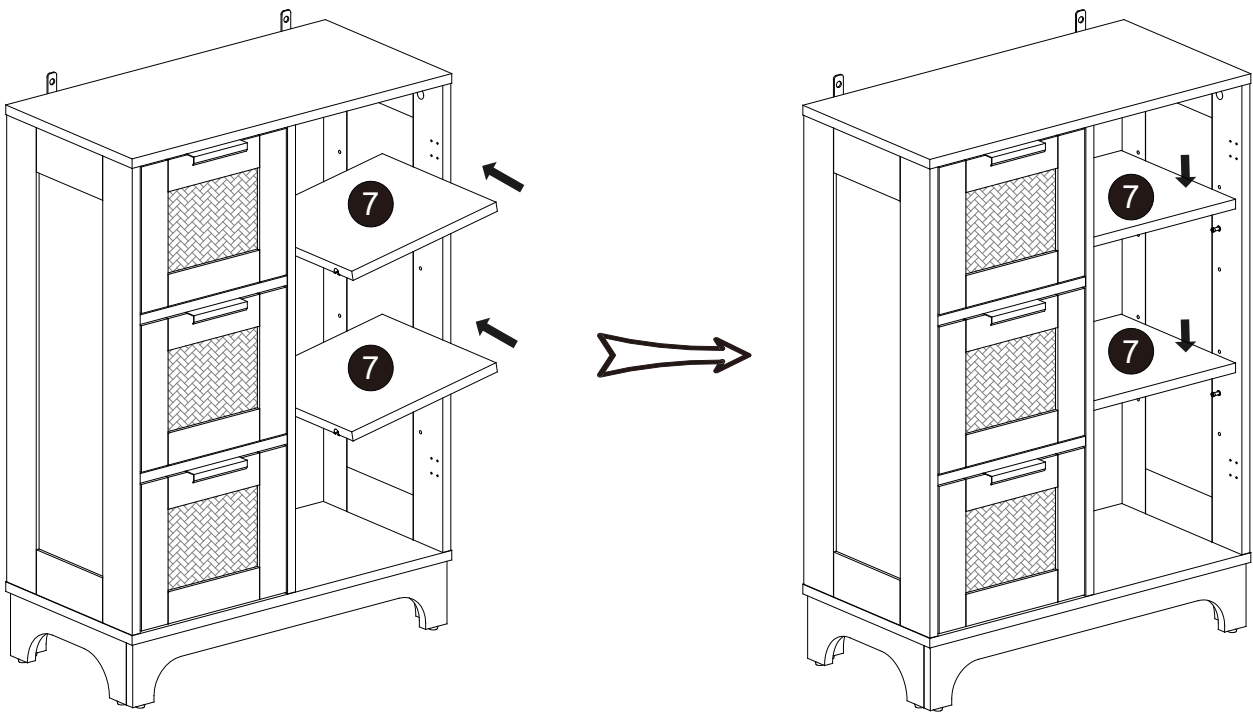
G



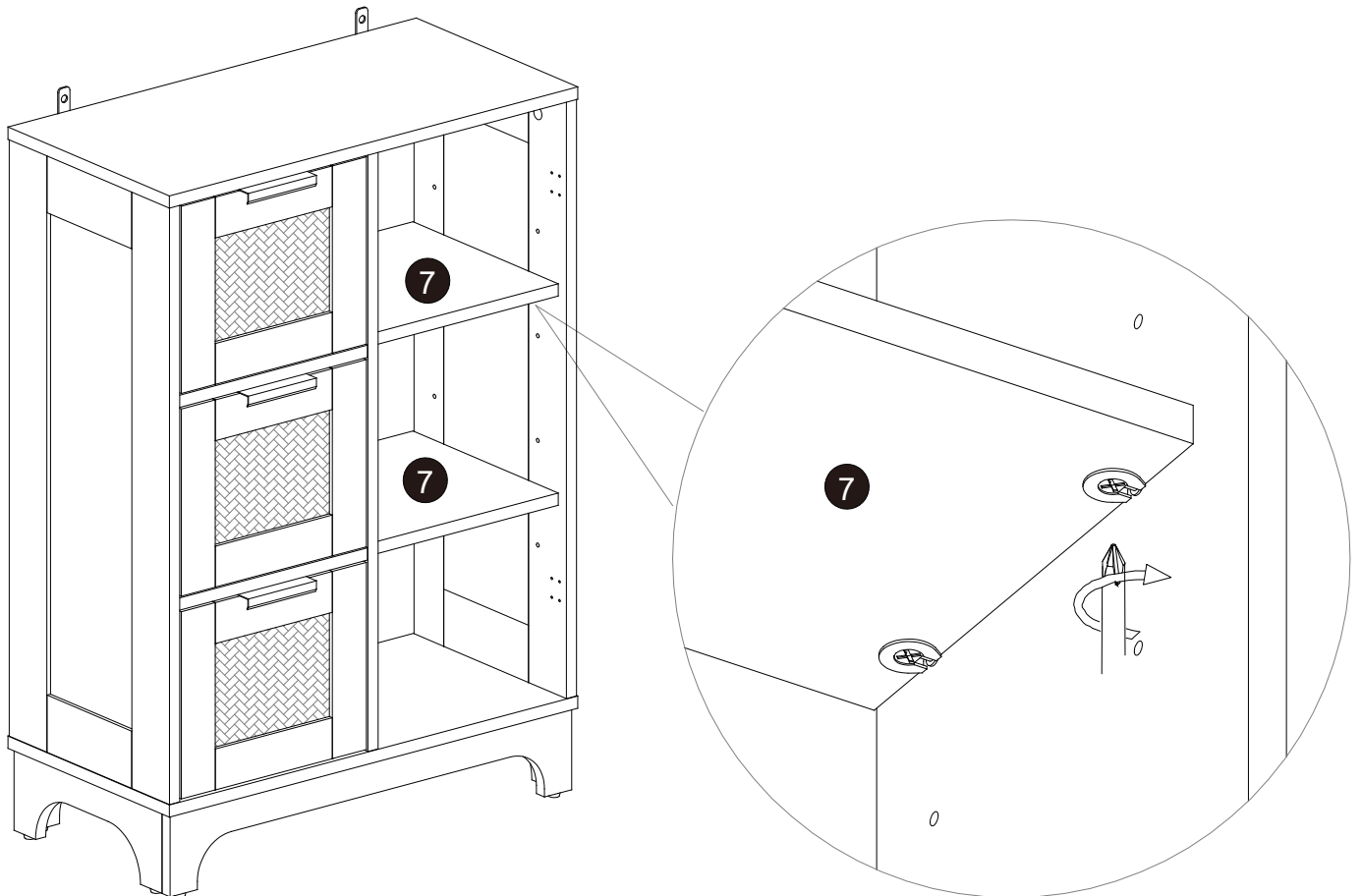
x8

INSTALLATION INSTRUCTION

STEP 13

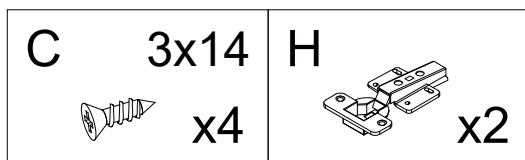
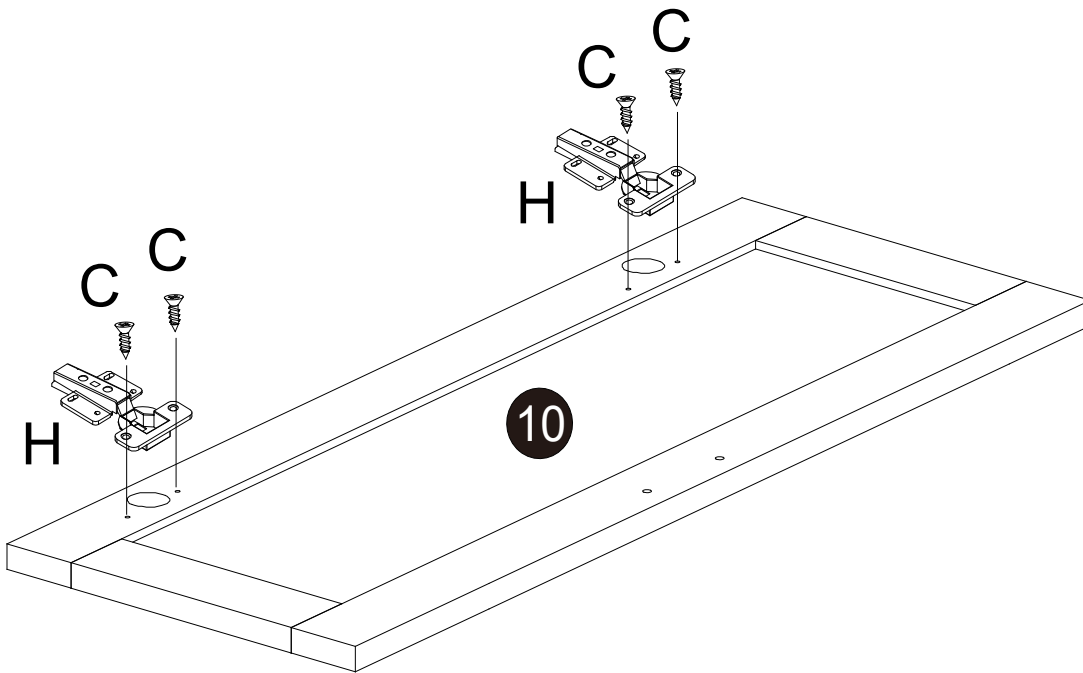


STEP 14

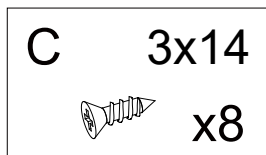
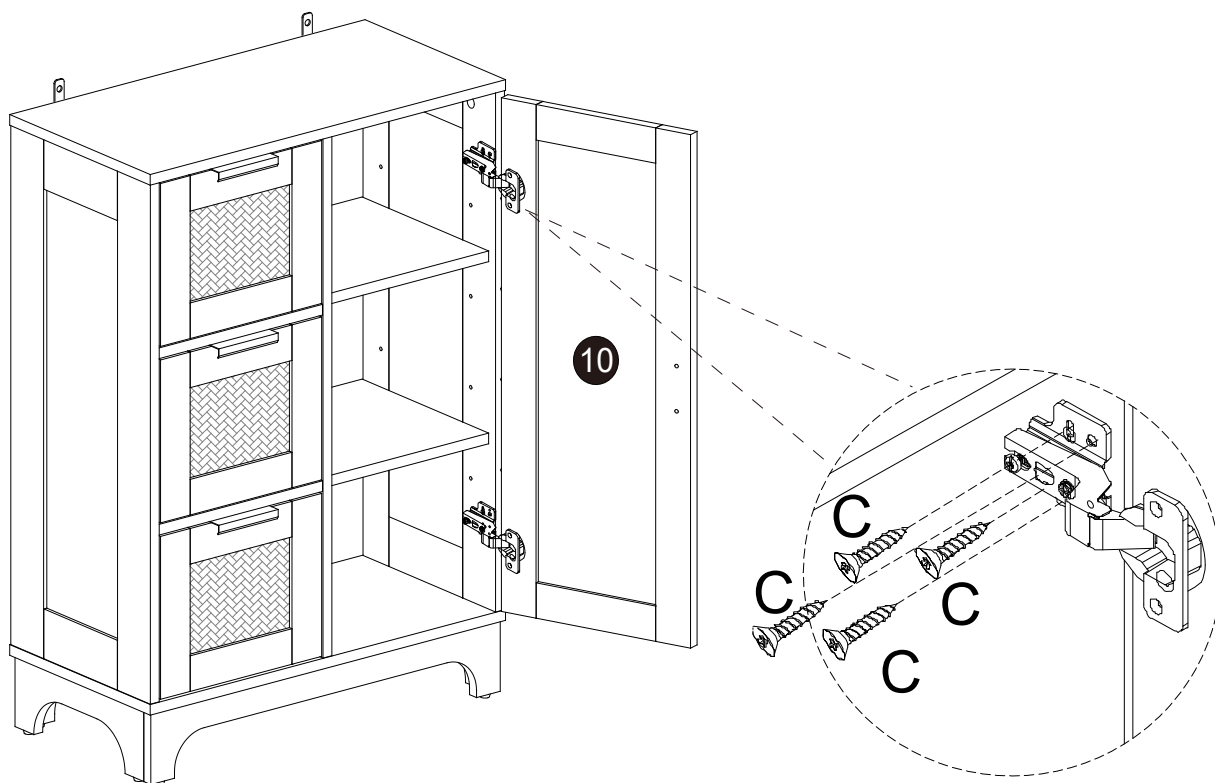


INSTALLATION INSTRUCTION

STEP 15

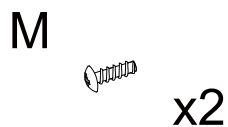
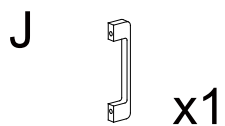
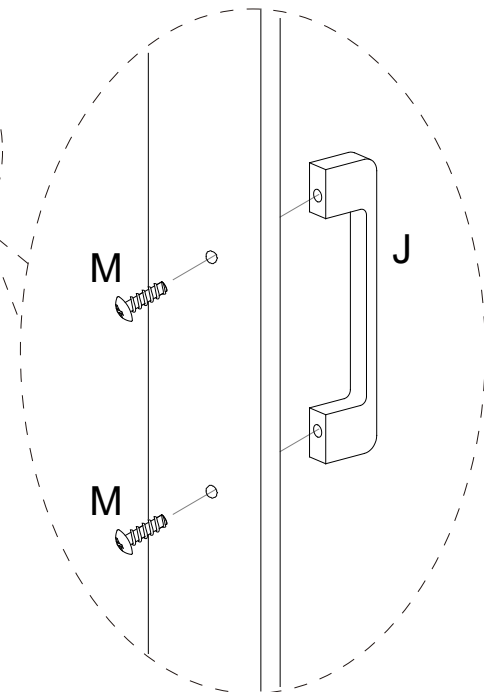
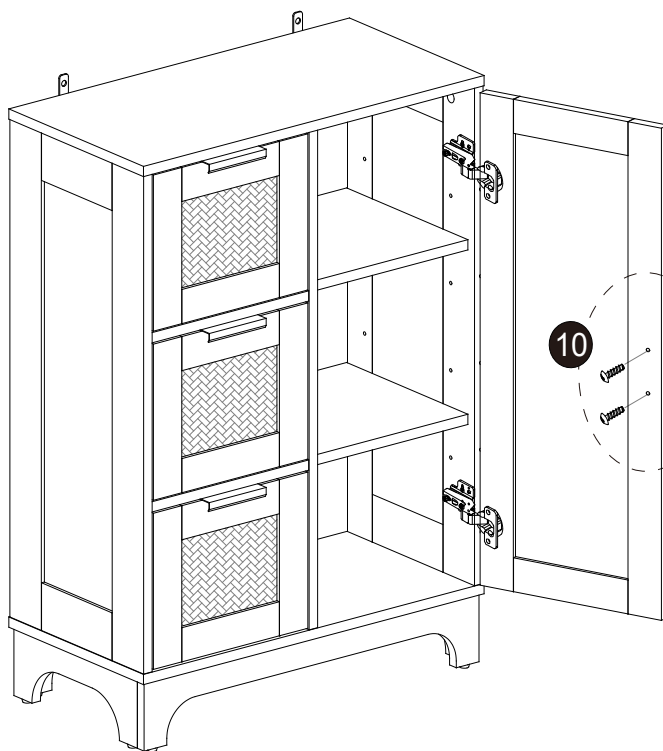


STEP 16

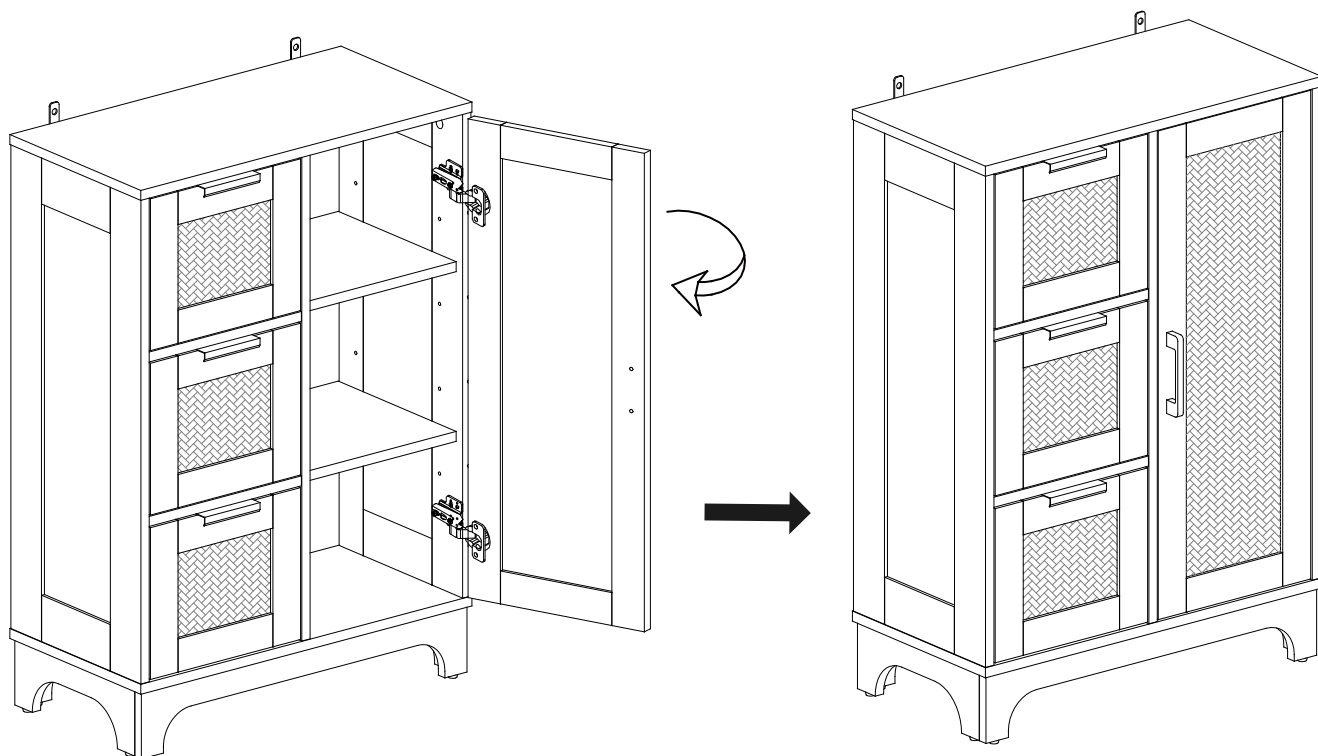


INSTALLATION INSTRUCTION

STEP 17



STEP 18



INSTALLATION INSTRUCTION

STEP 19

