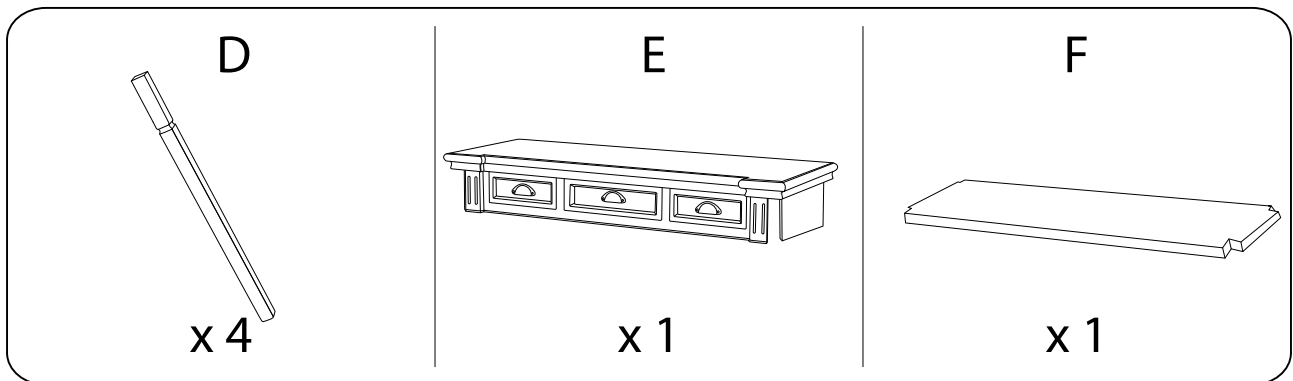
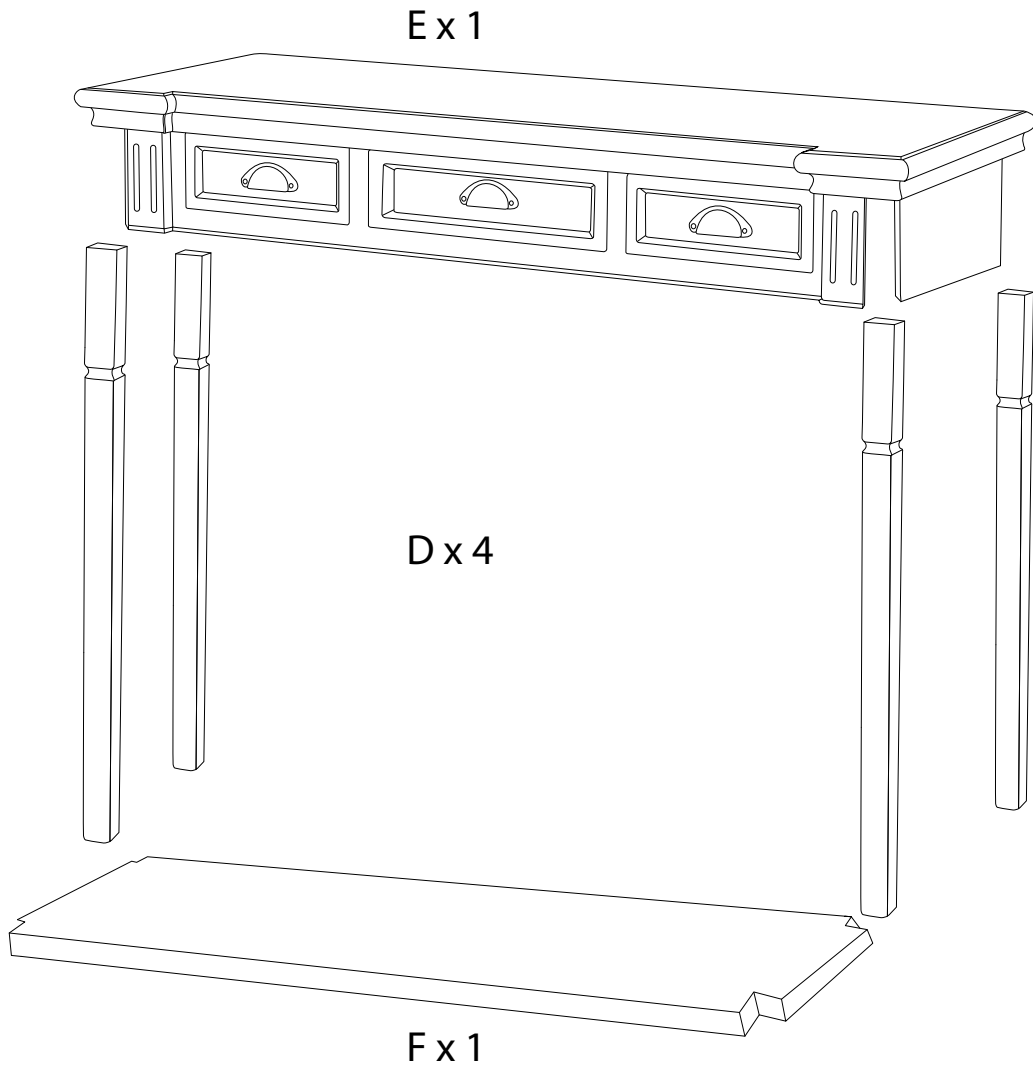
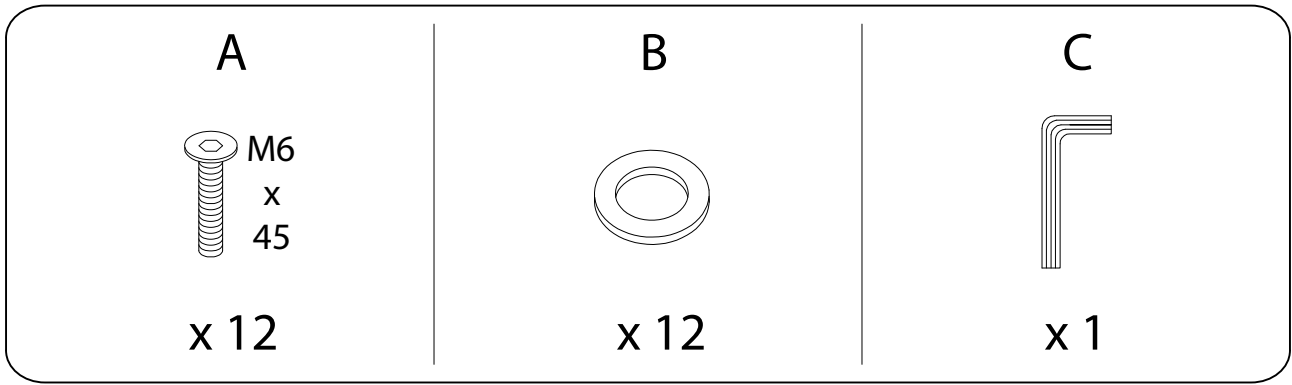
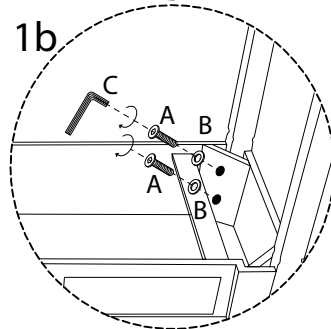
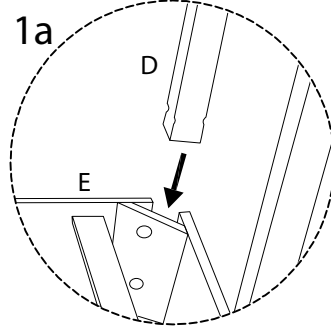
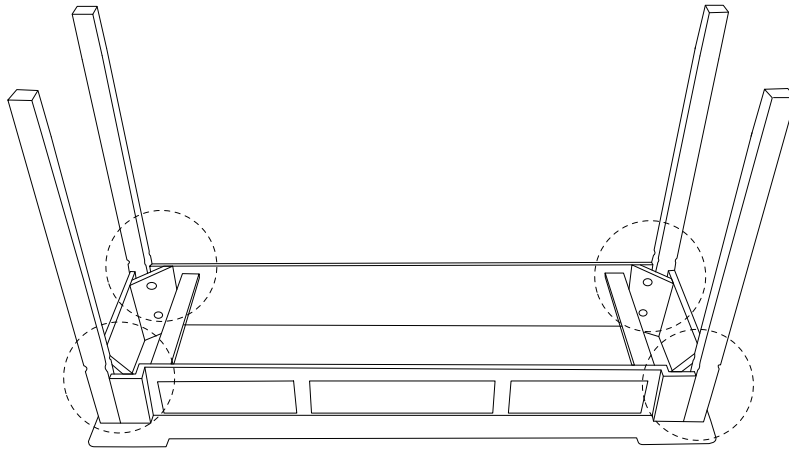
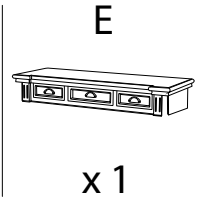
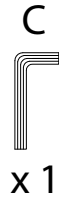
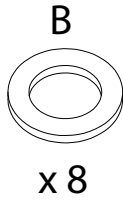
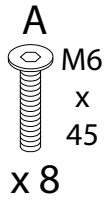


Diagram illustrating assembly instructions and safety warnings:

- Warning 1:** A triangle with an exclamation mark points to a box containing an L-shaped corner bracket and a power drill with a slash through it, indicating that a power drill should not be used for this step.
- Warning 2:** A triangle with an exclamation mark points to a box containing a rectangular block being placed on a surface and another block being attached to its side with a screw, indicating a specific assembly sequence.
- Time:** A clock icon is labeled "30'", indicating the estimated assembly time.
- Person:** An icon of a person is labeled "1", indicating that one person is required for assembly.



1



2

