

**“Read all instructions BEFORE assembly and USE of product.  
KEEP INSTRUCTIONS FOR FUTURE USE BY A POLY BAG”**

**Adult assembly required.**

**Small parts may present choking hazard prior to assembly.**

**Enclosed please find simple step-by-step instructions to help you quickly assemble your products. Before you begin we recommend that you following the steps below:**

- 1. Please read the instructions thoroughly.**
- 2. Identify all parts and hardwares**
- 3. You will need the following tools:**

**Philips head screw driver**

**Flat head screw driver**

**Hammer**

**Do Not Use Power Drills or Drivers**

**To protect your parts during assembly please place them on a soft surface.**

**To clean surface use only water on a damp cloth. Do not use window cleaners or cleaning abrasives as it will scratch the surface and could damage the protective coating.**



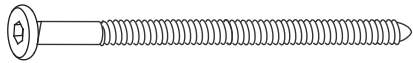


# WARNING!

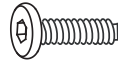
- FAILURE TO FOLLOW THESE WARNINGS AND THE ASSEMBLY INSTRUCTIONS COULD RESULT IN SERIOUS INJURY OR DEATH.
- READ ALL INSTRUCTIONS BEFORE ASSEMBLING CRIB. KEEP INSTRUCTIONS FOR FUTURE USE.  
ANY MATTRESS USED IN THIS CRIB MUST BE AT LEAST 23-5/8 (600mm) INCHES BY 37-3/4 (959mm) INCHES WITH A THICKNESS NOT EXCEEDING 2 INCHES (51mm).
- CHECK THIS PRODUCT FOR DAMAGED HARDWARE, LOOSE JOINTS, MISSING PARTS OR SHARP EDGES BEFORE AND AFTER ASSEMBLY. A FREQUENT CHECK SHOULD BE MADE DURING USE. DO NOT USE CRIB IF ANY PARTS ARE MISSING, DAMAGED OR BROKEN. CONTACT FIZZY BABY LLC 27 EIGHTH STREET, PASSAIC, NJ 07055, USA FOR REPLACEMENT.  
LITERATURE IF NEEDED. DO NOT SUBSTITUTE PARTS.
- TO REDUCE THE RISK OF SIDS, PEDIATRICIANS RECOMMEND HEALTHY INFANTS BE PLACED ON THEIR BACKS TO SLEEP, OTHERWISE ADVISED BY YOUR PHYSICIAN.
- STRINGS CAN CAUSE STRANGULATION! DO NOT PLACE ITEMS WITH A STRING AROUND A CHILD NECK, SUCH AS HOOD STRINGS OR PACIFIER CORDS. DO NOT SUSPEND STRINGS OVER A CRIB OR ATTACH A STRINGS TO TOYS.
- TO HELP PREVENT STRANGULATION TIGHTEN ALL FASTENERS. A CHILD CAN TRAP PARTS OF THE BODY OR CLOTHING ON LOOSE FASTENERS.
- DO NOT PLACE CRIB NEAR WINDOWS WHERE CORDS FROM BLINDS OR DRAPS MAY STRANGLE A CHILD.
- WHEN CHILD IS ABLE TO PULL TO A STANDING POSITION, SET MATTRESS TO THE LOWEST POSITION AND REMOVE BUMPER PADS, LARGE TOYS AND OTHER OBJECTS THAT COULD SERVE AS STEPS FOR CLIMBING OUT.
- WHEN CHILD IS ABLE TO CLIMB OUT OR REACH THE HEIGHT OF 35 IN. (90CM), THE CRIB SHALL NO LONGER BE USED.
- DO NOT USE A WATER MATTRESS WITH THIS CRIB.
- INFANTS CAN SUFFOCATE ON SOFT BEDDING, NEVER ADD A PILLOW OR COMFORTER. NEVER PLACE ADDITIONAL PADDING UNDER AN INFANT.
- NEVER USE PLASTIC SHIPPING BAGS OR OTHER PLASTIC FILM AS MATTRESS COVERS BECAUSE THEY CAN CAUSE SUFFOCATION.
- INFANTS CAN SUFFOCATE IN GAPS BETWEEN CRIB SIDES AND A MATTRESS THAT IS TOO SMALL.
- REPLACE TEETHING RAIL IF DAMAGED, CRACKED OR LOOSE.
- IF REFINISHING, USE A NON-TOXIC FINISH SPECIFIED FOR CHILDREN'S PRODUCTS.
- FOLLOW WARNINGS ON ALL PRODUCTS IN A CRIB. SEE HEAD PANNEL AND MATTRESS SUPPORT FOR WARNINGS AND INSTRUCTIONS.

# CONNECTION HARDWARE

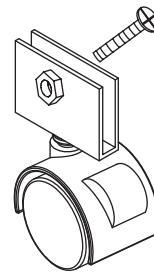
a: 2-1/8" Allen head bolt (10pcs)



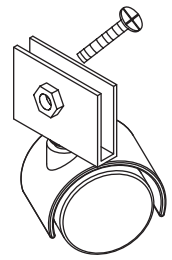
b: 3/5" Allen head bolt (4 pcs)



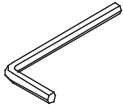
e: Castors (2 pcs)



f: Castors (2 pcs)



c: 2" Allen Wrench (1pc)

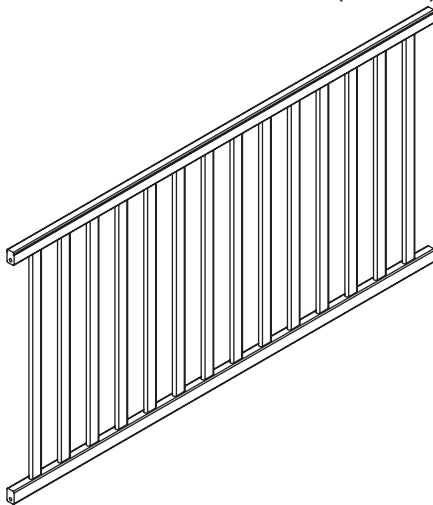


d: Barrel nuts (10 pcs)

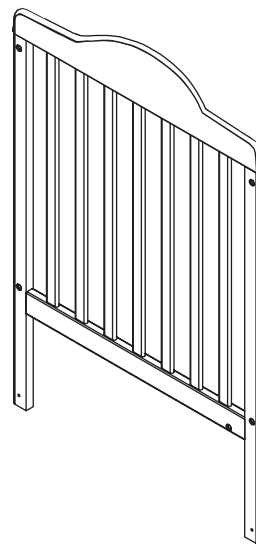


# CRIB COMPONENTS

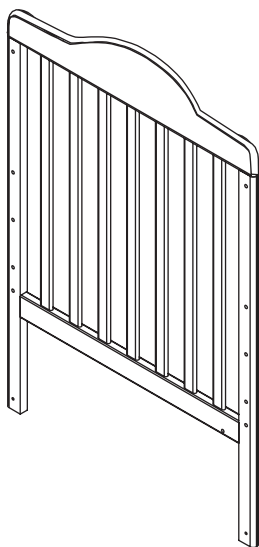
A. STATIONARY SIDE (2PCS)



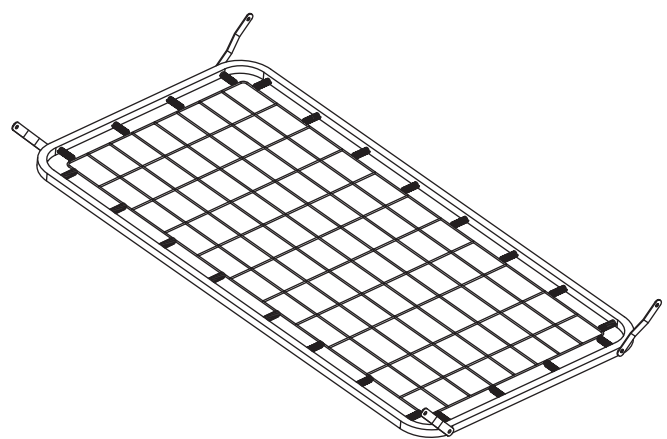
B. LEFT HEAD BOARD (1PC)



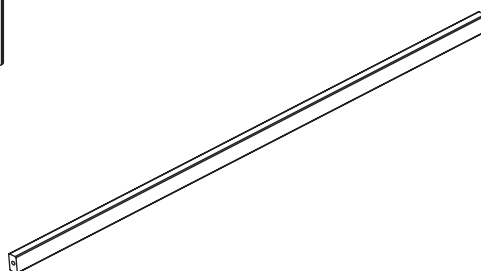
C. RIGHT HEAD BOARD (1PC)



D. METAL SPRING SUPPORT PLATFORM (1PC)

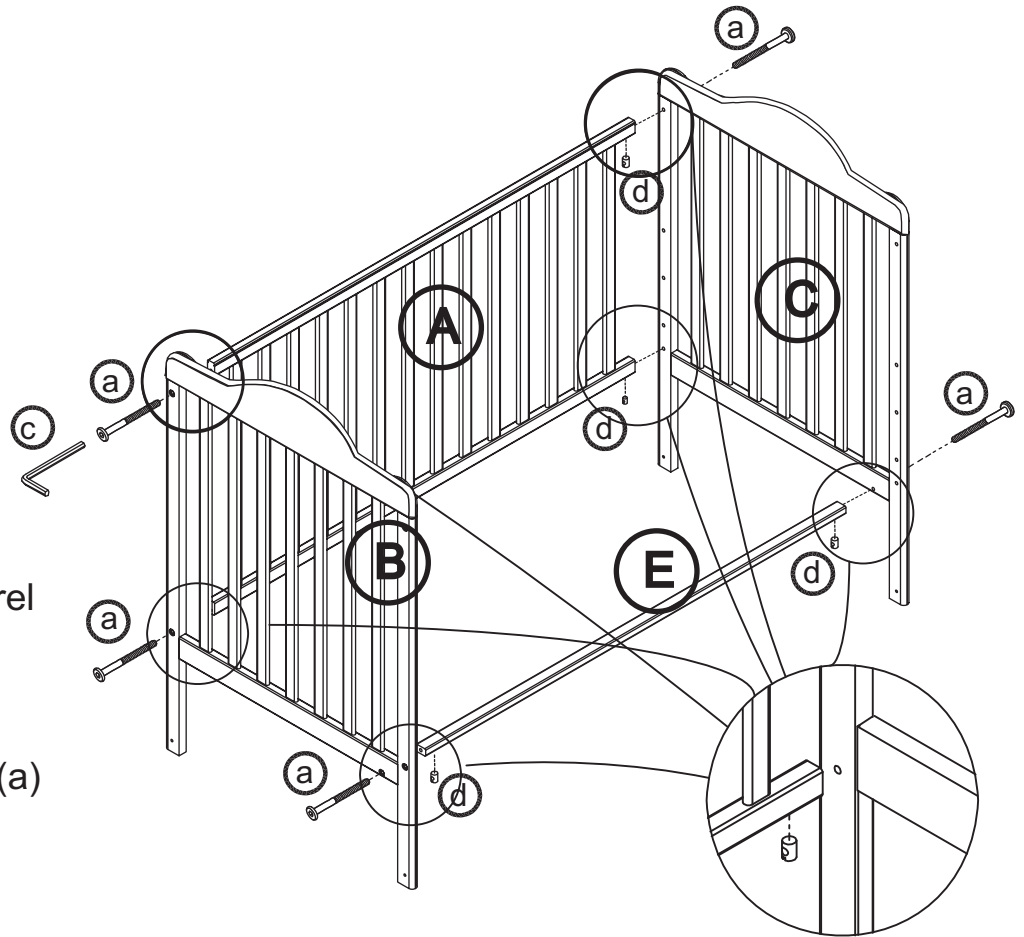


E. THE STABILIZER BAR (1PC)



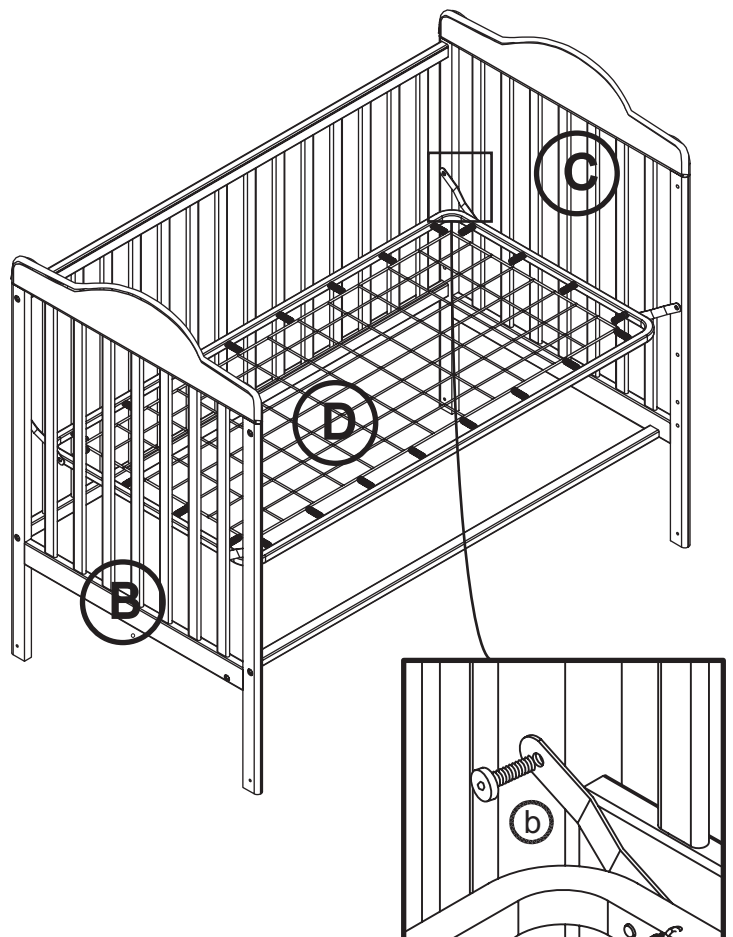
# STEP 1

Attach the stationary side (A) to the head board (B) and (C) by using bolts(a) and barrel nuts (d). Then attach the stabilizer bar (E) to the head board (B) and (C) by using bolts(a) and barrel nuts (d).



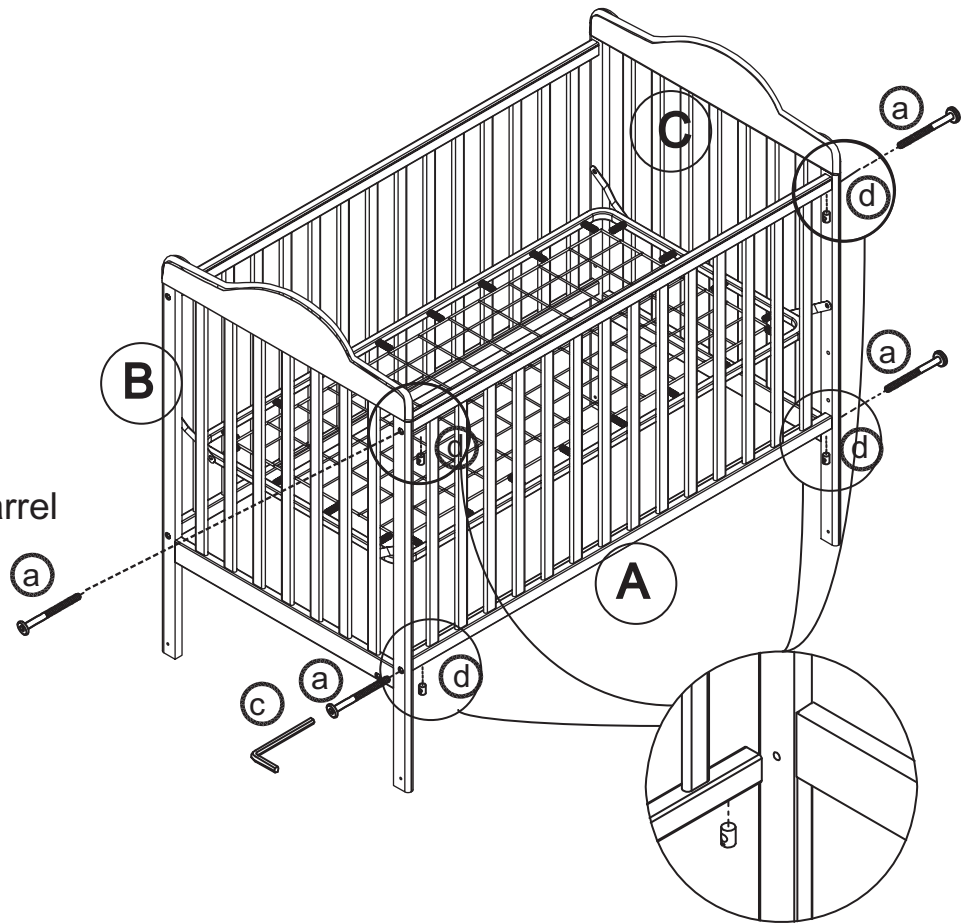
# STEP 2

Locate the metal spring (D) with tabs. Be sure the smooth side of metal spring (D) is faced upward. Position the tabs of metal spring (D) to mount to the selected position onto the legs. Inlert the bolts (b) , through the tabs and into thread insets onto the legs , then tighten securely with Allen Wrench (c).



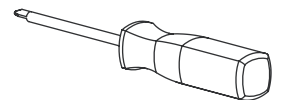
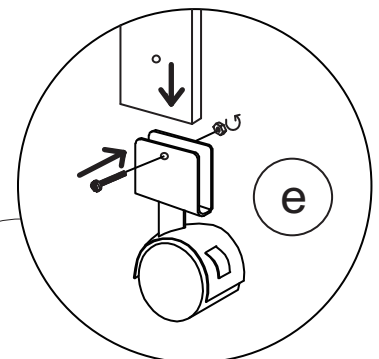
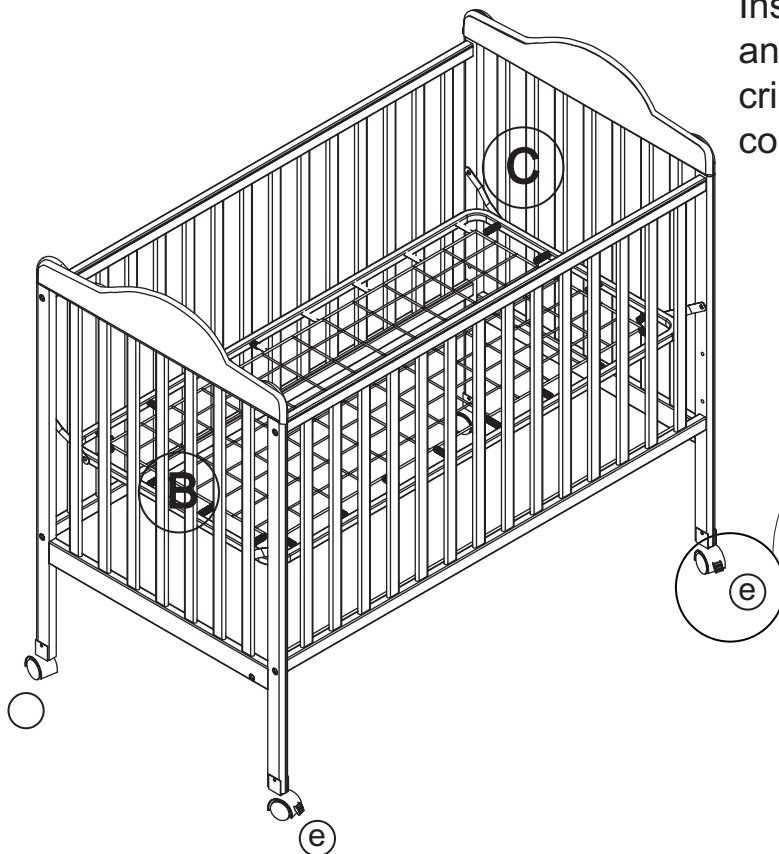
# STEP 3

Attach the stationary side (A) to the head board (B) and (C) by using bolts (a) and barrel nuts (d).

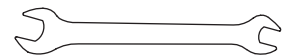


# STEP 4

Insert the four casters (e&f) as shown and tighten all bolts. Inspect the crib to make sure it is assembled correctly and all bolts are tight.



FLAT HEAD SCREWDRIVER

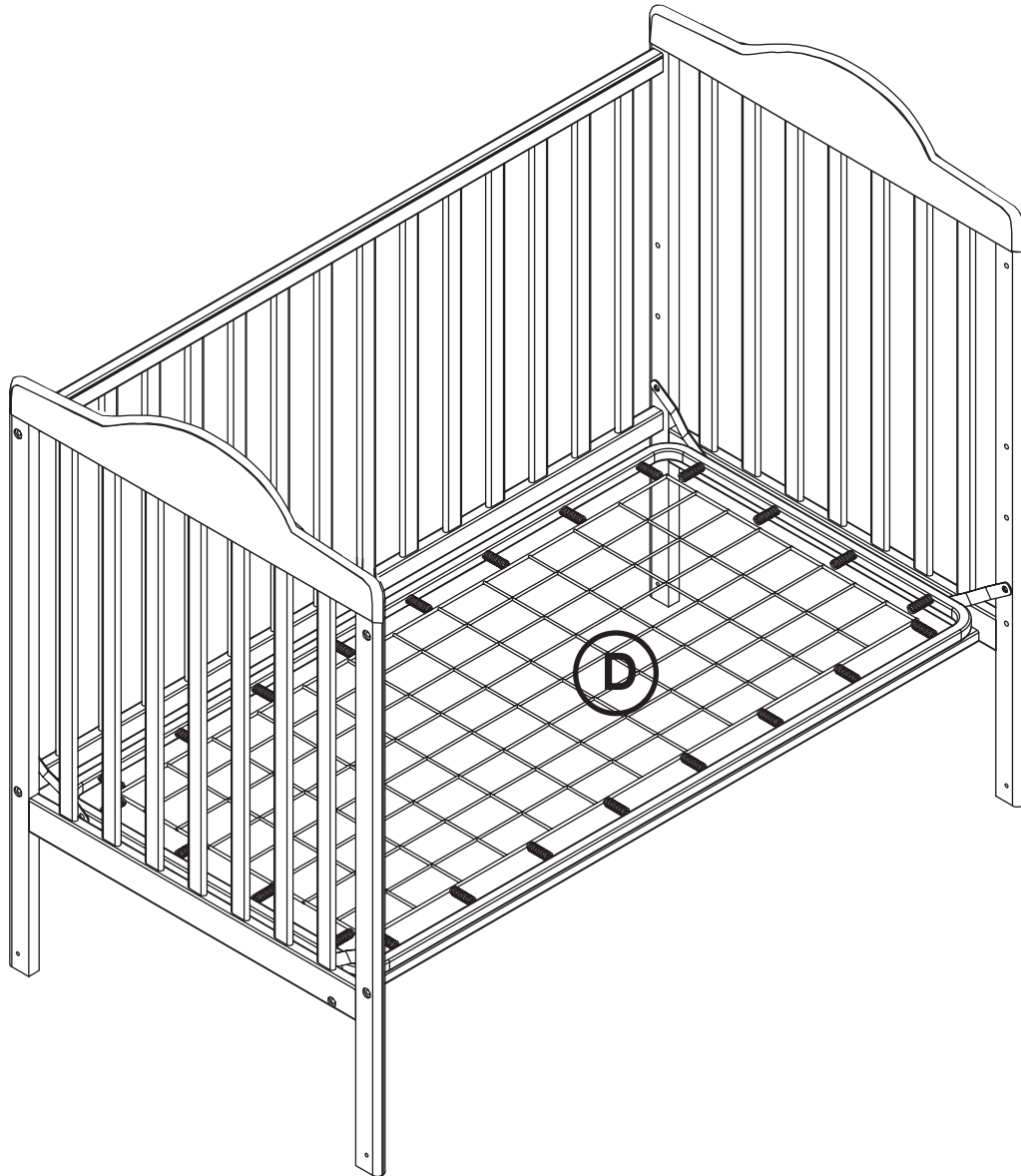


WRENCH

FLAT HEAD SCREWDRIVER AND WRENCH REQUIRED FOR ASSEMBLY—NOT INCLUDED

# STEP

## CONVERT THE CRIB INTO A DAY BED



You have the option to convert crib to a day bed

1. Remove the stationary side (A) near the stabilizer bar by using Allen wrench (c).
2. Install the mattress support (D) in its lowest position.
3. Remove the casters.