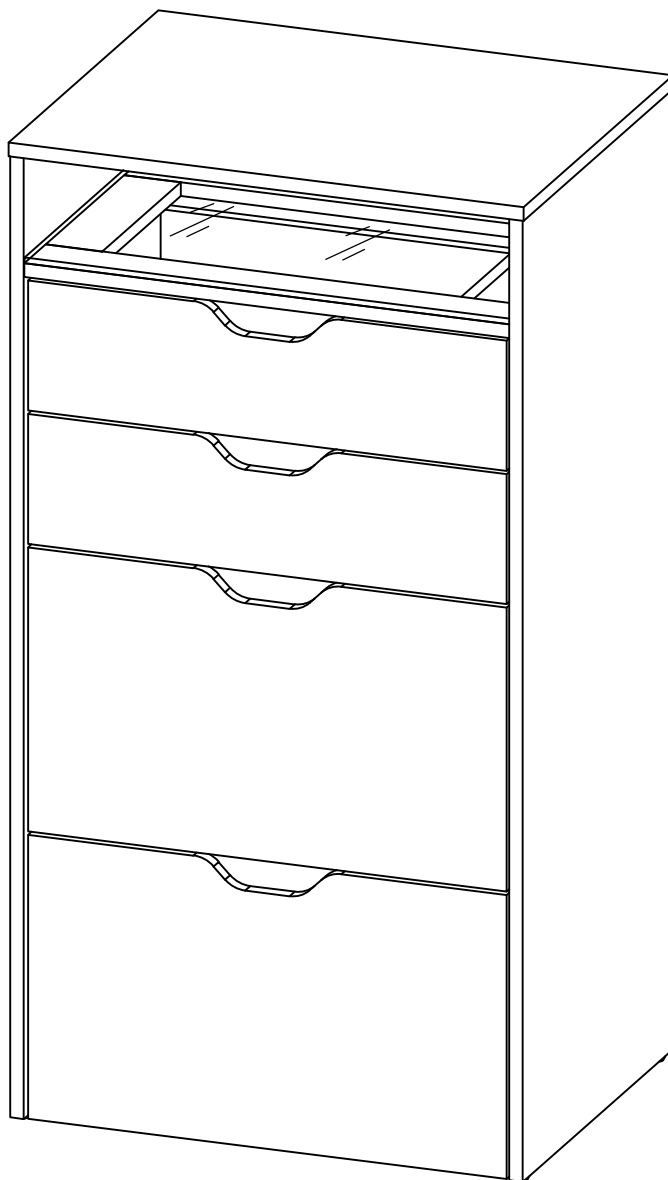



Table

Item # HS202502-07

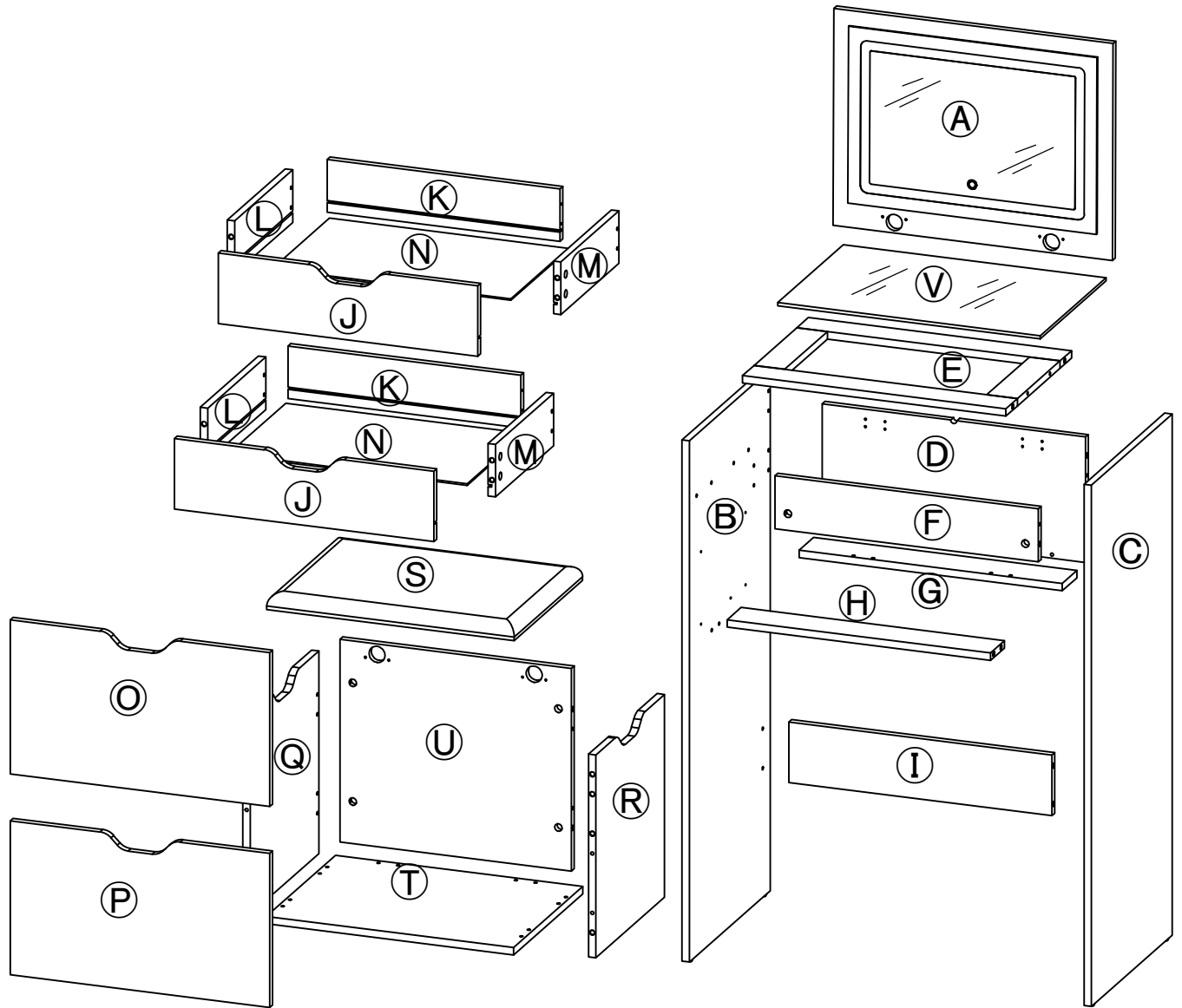
INSTRUCTION



 Part of the steps suggest
two people install

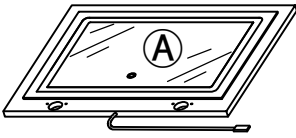
Main Components

Please check you have all the parts listed below

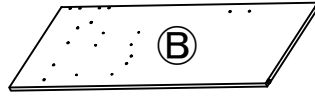


Component Panels & Part List

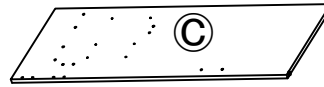
Please check you have all the parts listed below



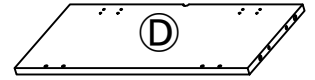
1PC



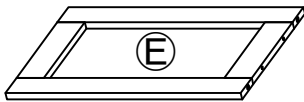
1PC



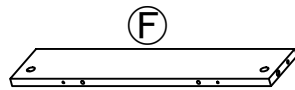
1PC



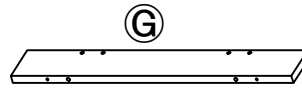
1PC



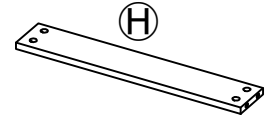
1PC



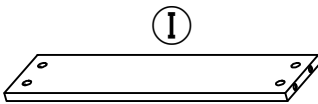
1PC



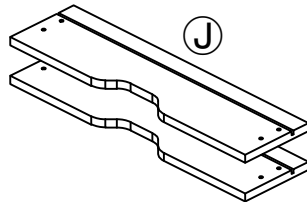
1PC



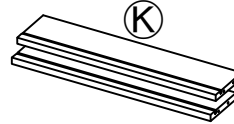
1PC



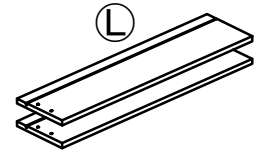
1PC



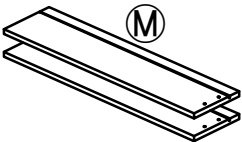
2PCS



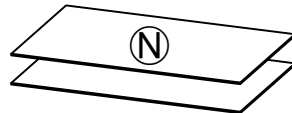
2PCS



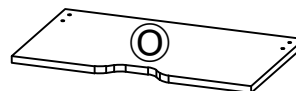
2PCS



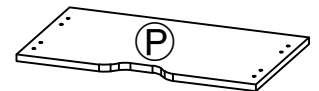
2PCS



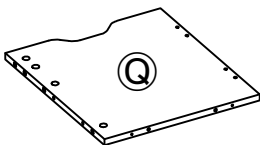
2PCS



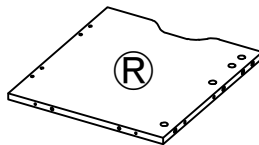
1PC



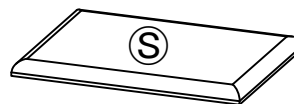
1PC



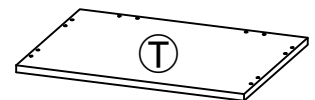
1PC



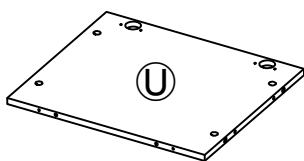
1PC



1PC



1PC



1PC

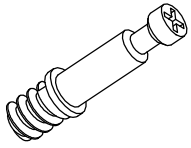


1PC

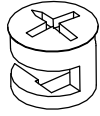
Fixings, Fittings And Tools

Please check all the fittings listed below

Note: The quantities below are the correct amount to complete the assembly. In some case more fittings may be supplied than be required.



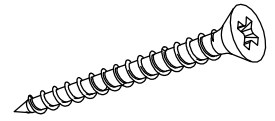
① Ø6*L27mm
38PCS



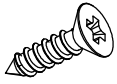
② Ø12*9mm
38PCS



③ Ø5*30mm
28PCS



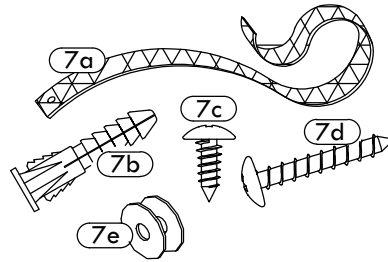
④ Ø4*38mm
18PCS



⑤ Ø3.5*11mm
20PCS



⑥ Ø4*12mm
24+1PCS



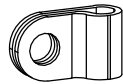
⑦ 1SET



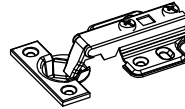
⑧ Ø20*6MM
4PCS



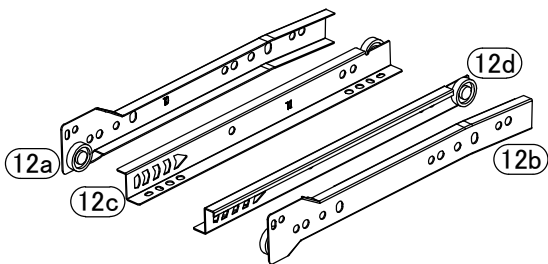
⑨ Ø4*12mm
1PC



⑩ Ø3.3*17mm
1PC



⑪ Ø26mm
2PCS



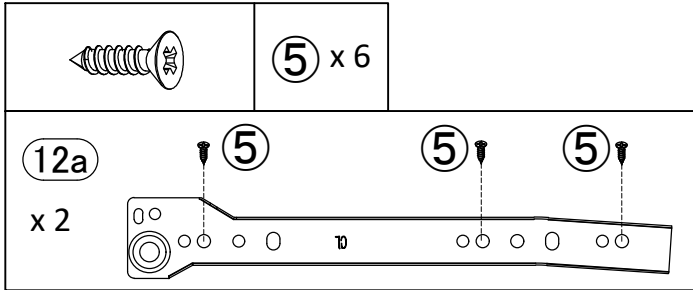
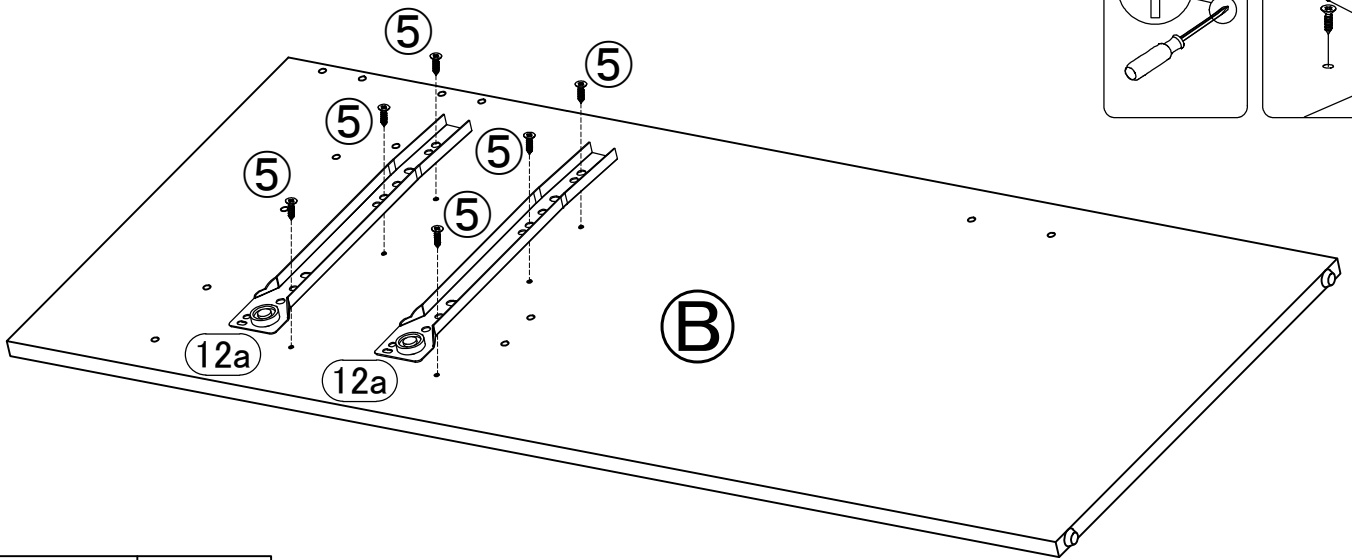
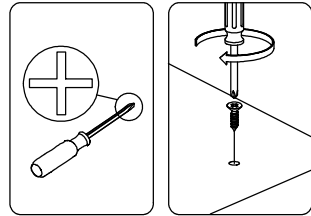
⑫ 10"
2SETS



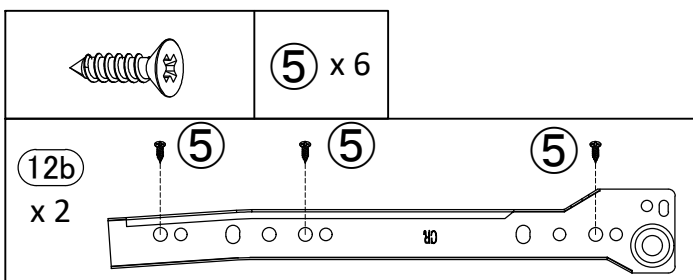
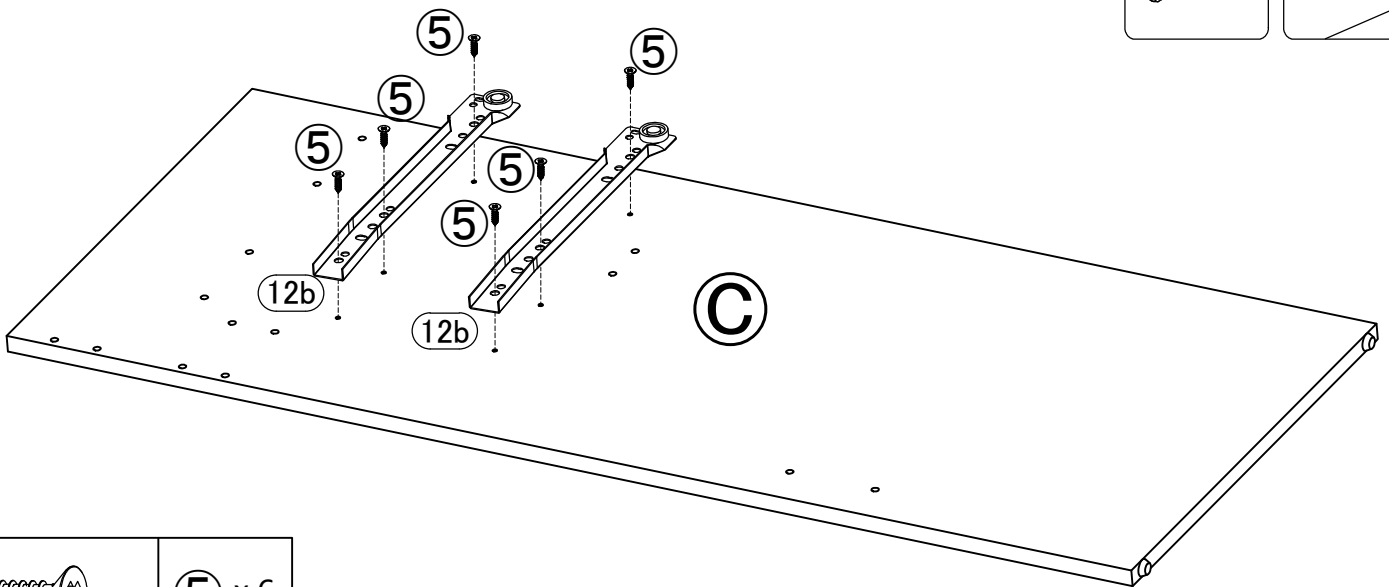
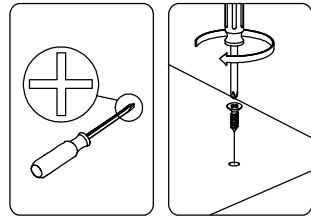
⑬ Ø26mm
2PCS

Assembly Step

Step 1

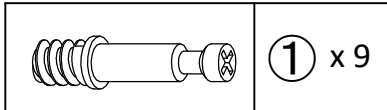
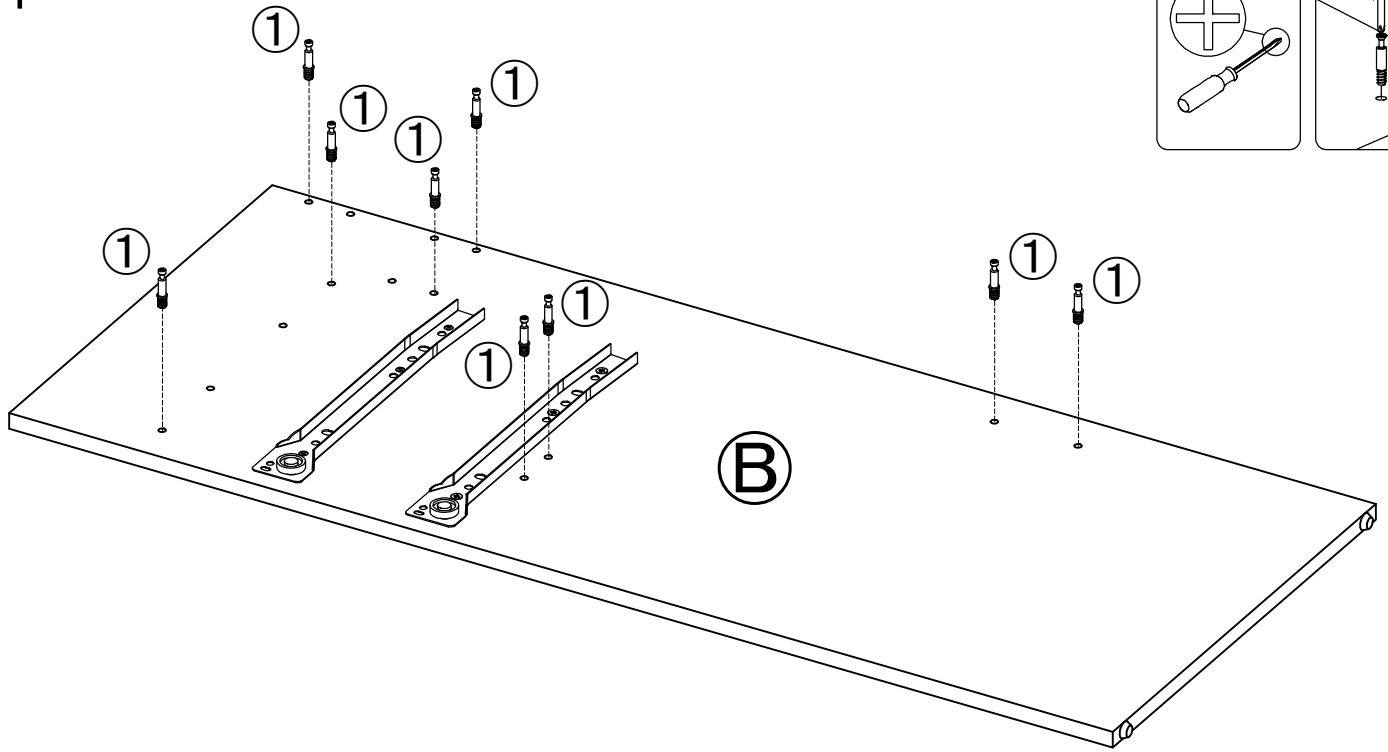


Step 2

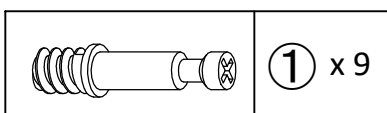
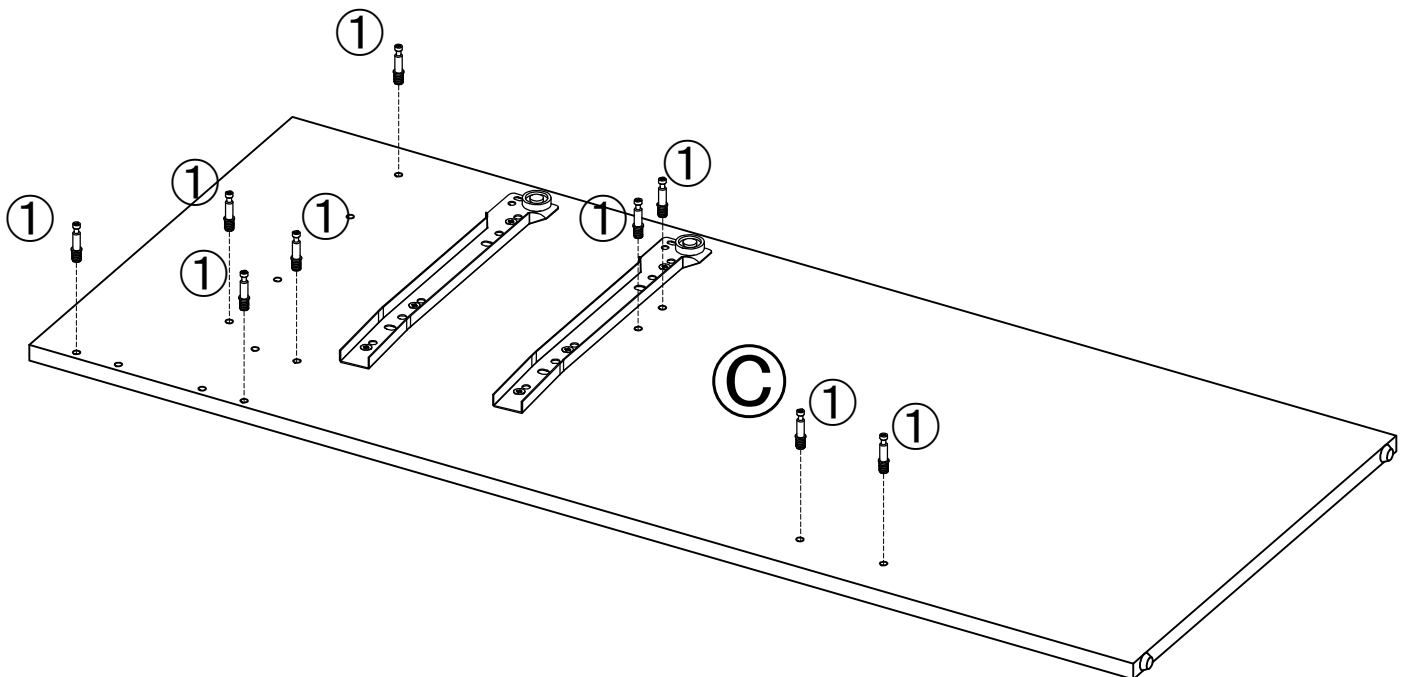


Assembly Step

Step 3

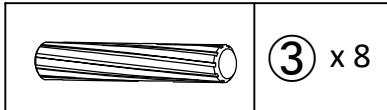
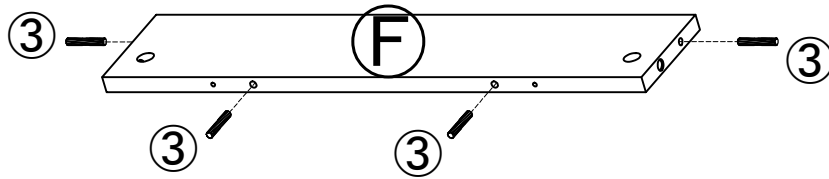
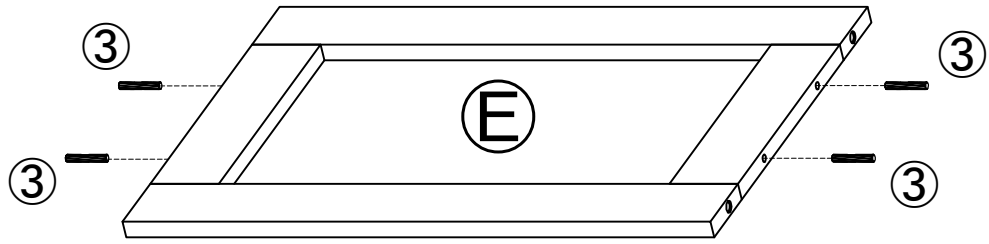


Step 4

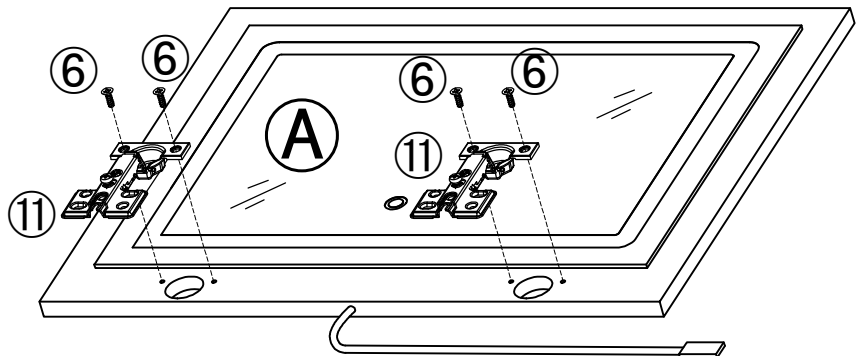
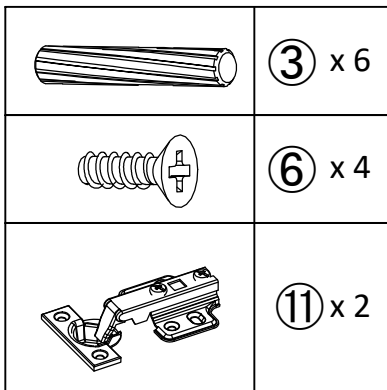
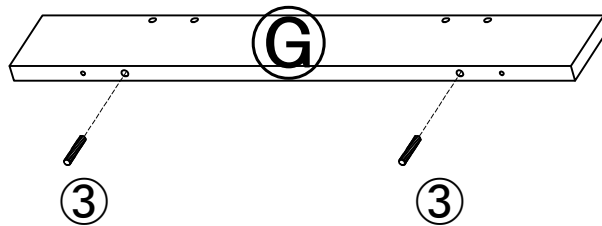
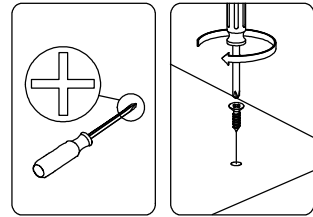
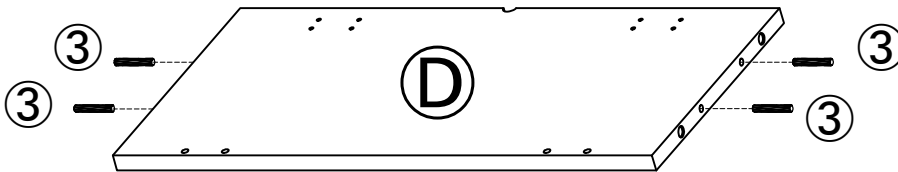


Assembly Step

Step 5

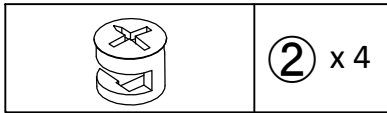
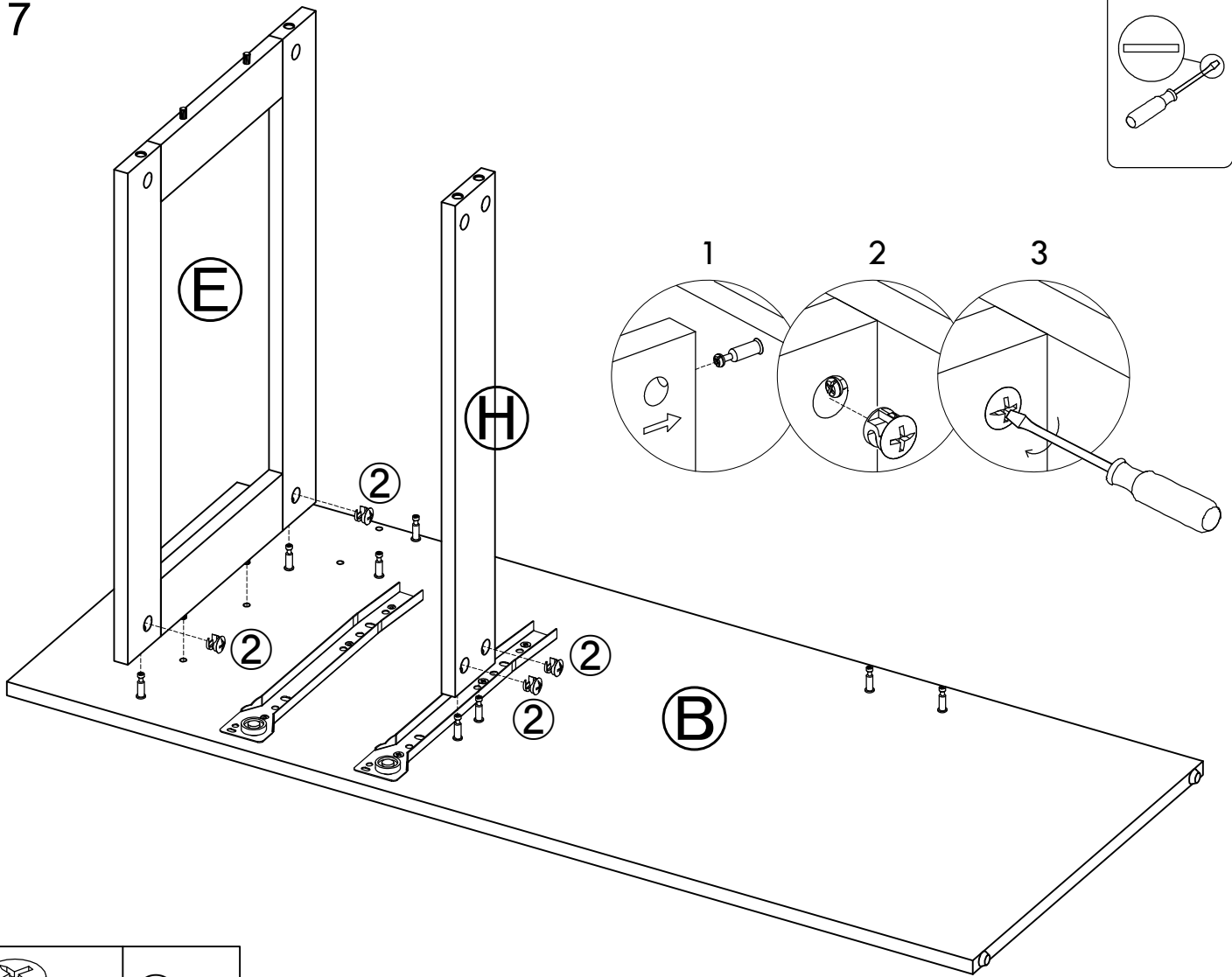


Step 6

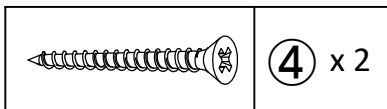
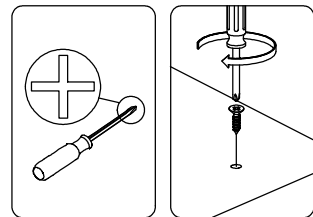
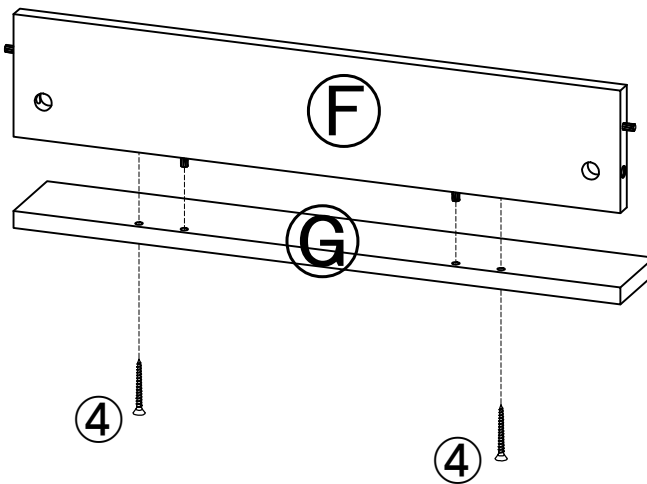


Assembly Step

Step 7

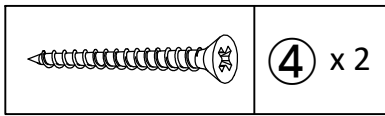
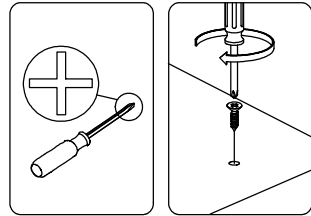
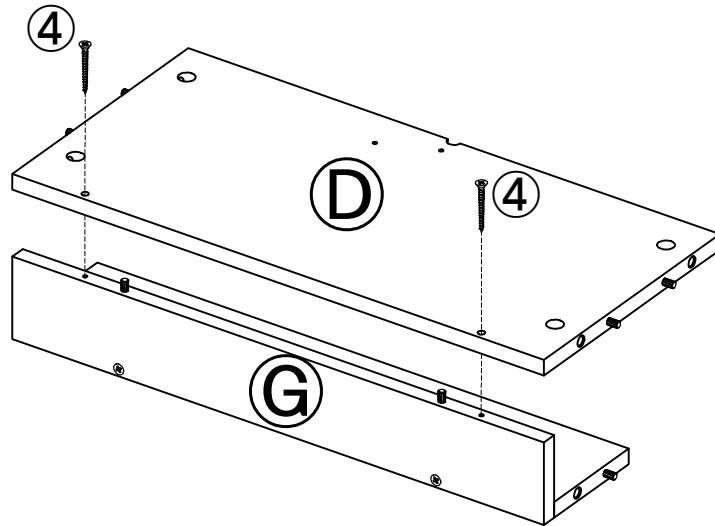


Step 8

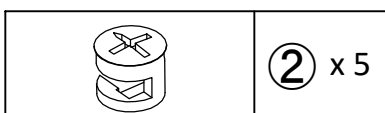
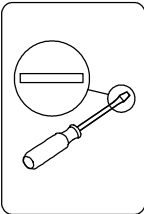
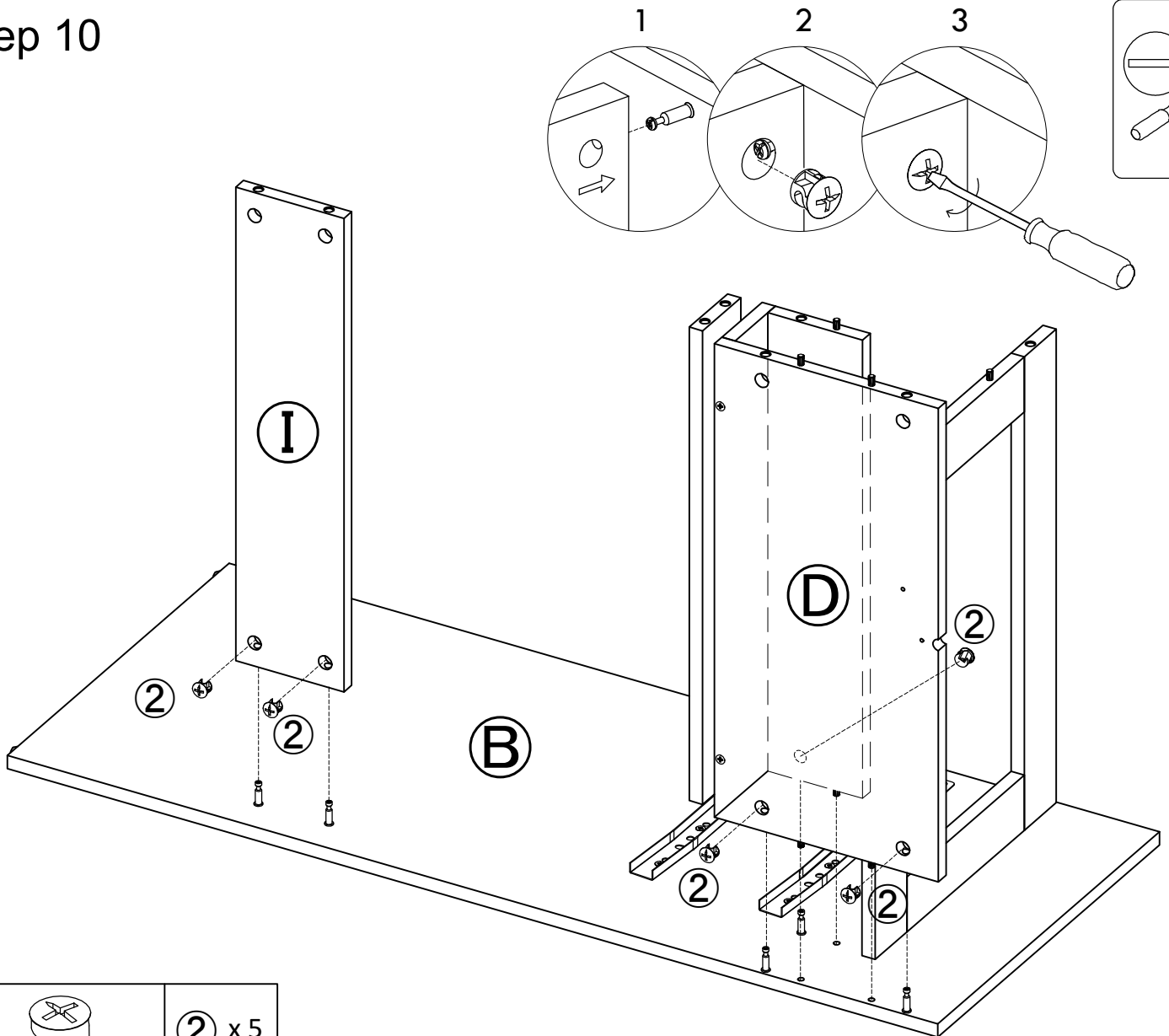


Assembly Step

Step 9

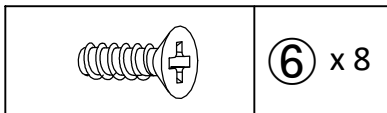
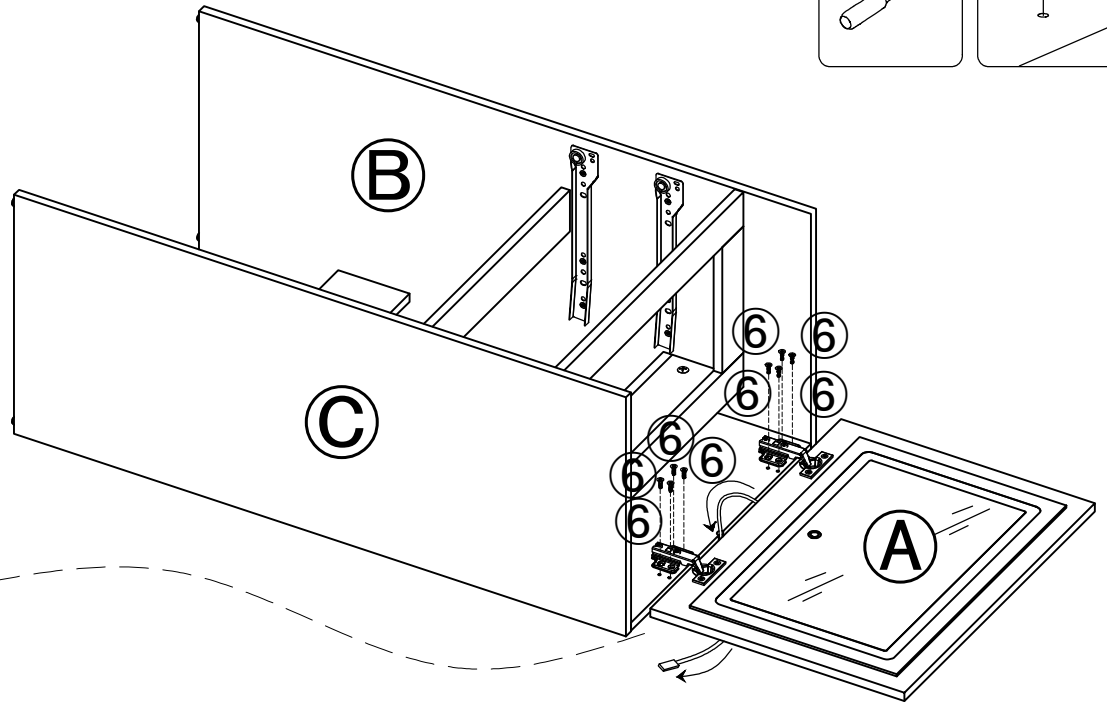
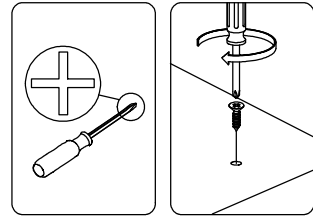
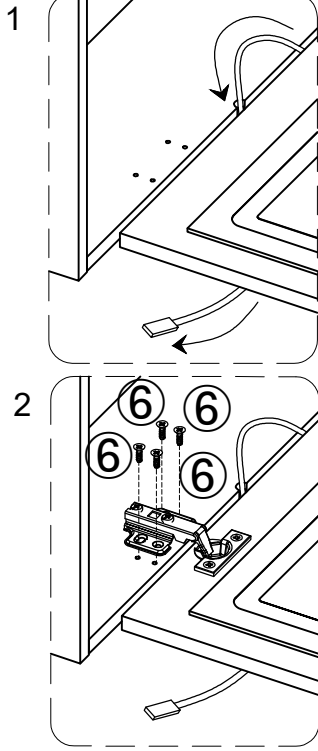


Step 10



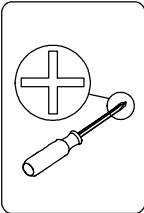
Assembly Step

Step 12

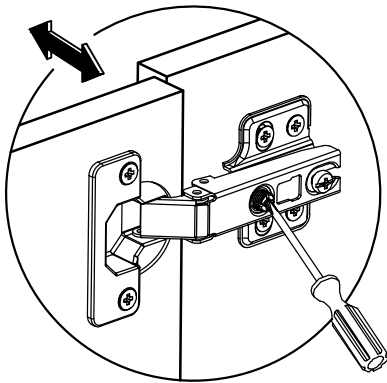


Step 13

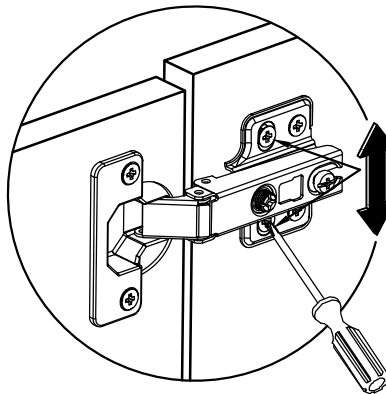
If necessary, adjust hinges to properly align doors as shown below.



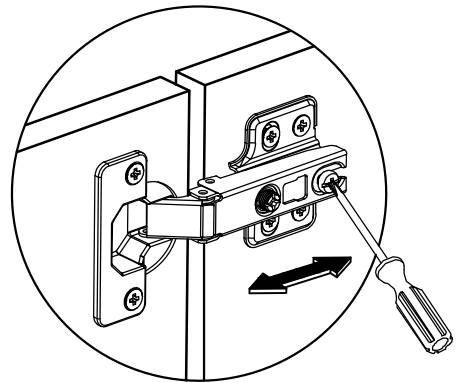
Adjusting possibilities



Lateral Adjustment



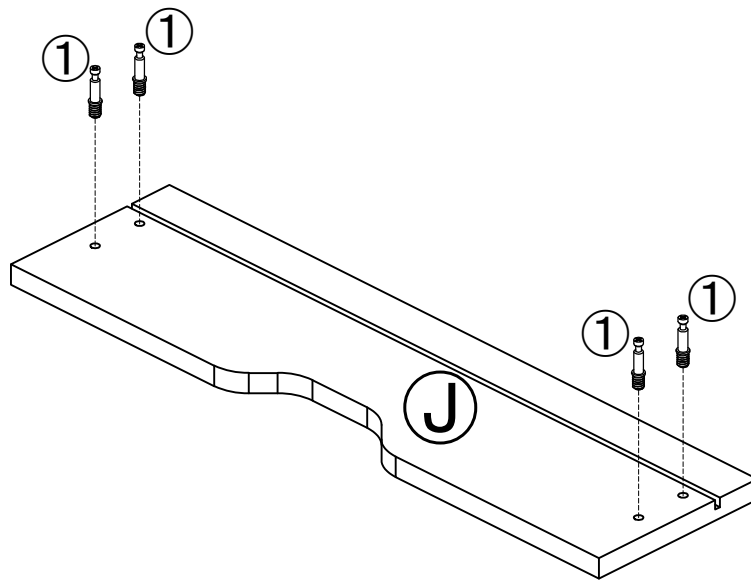
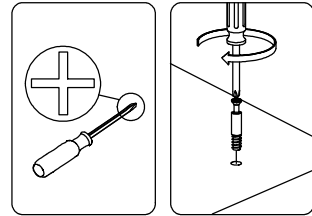
Vertical adjustment



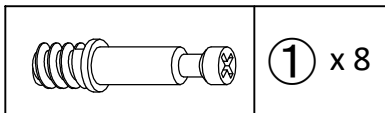
Forward/backwards adjustment

Assembly Step

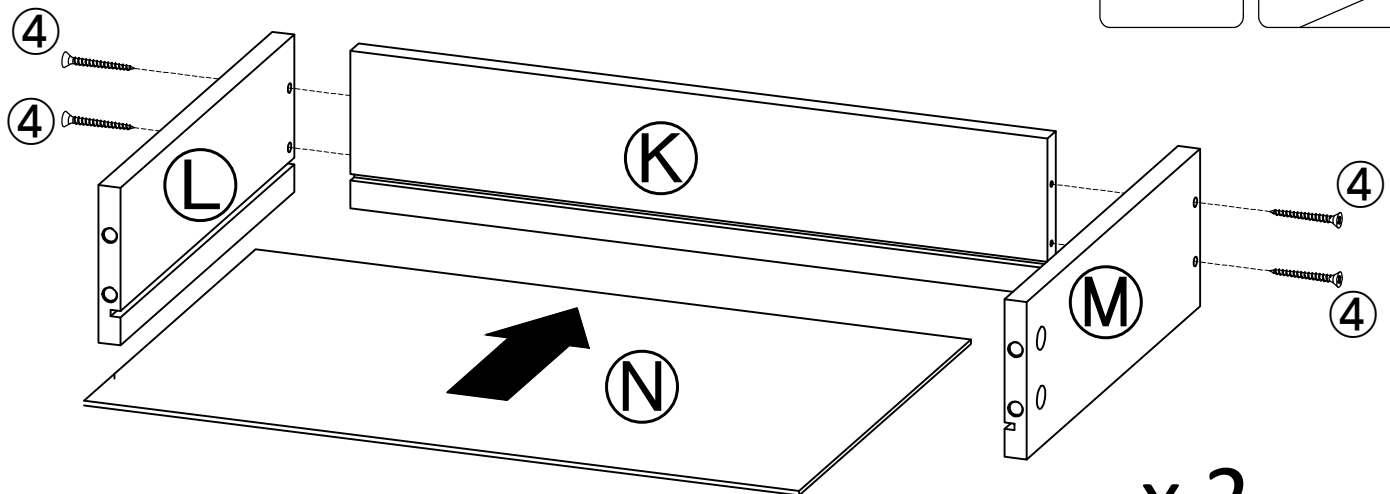
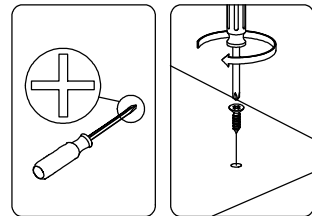
Step 14



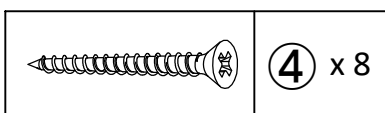
x 2



Step 15

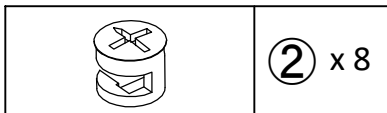
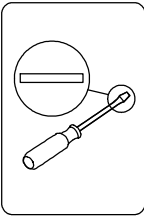
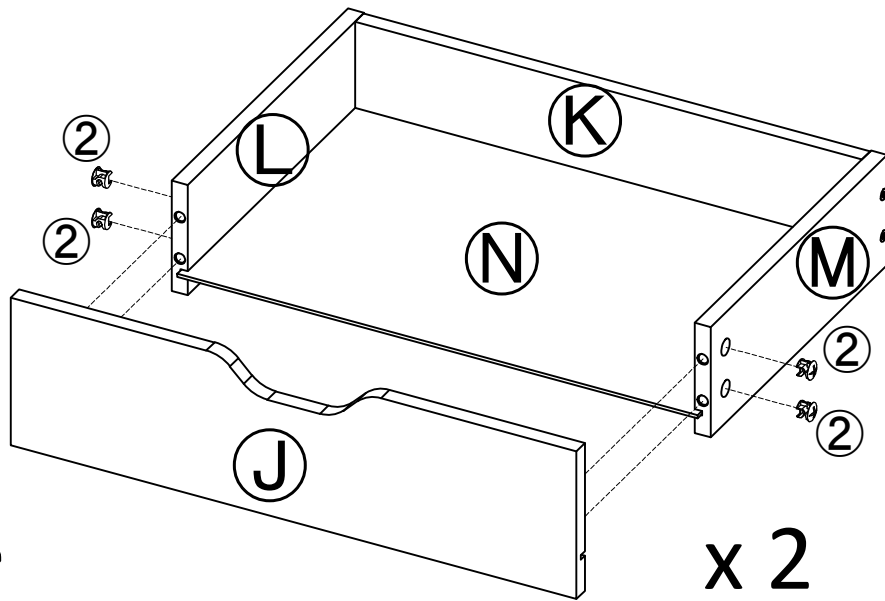
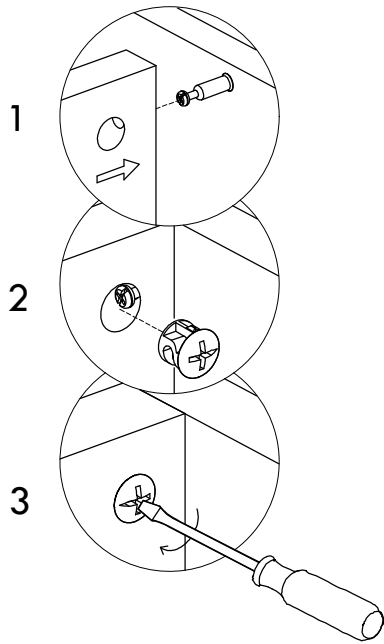


x 2

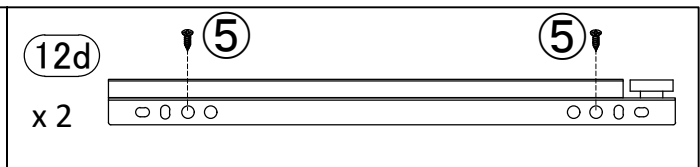
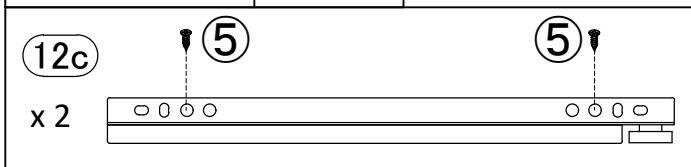
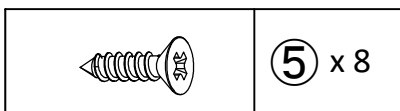
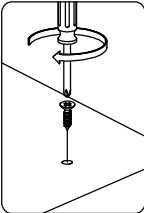
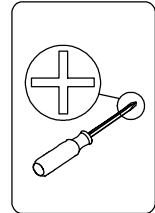
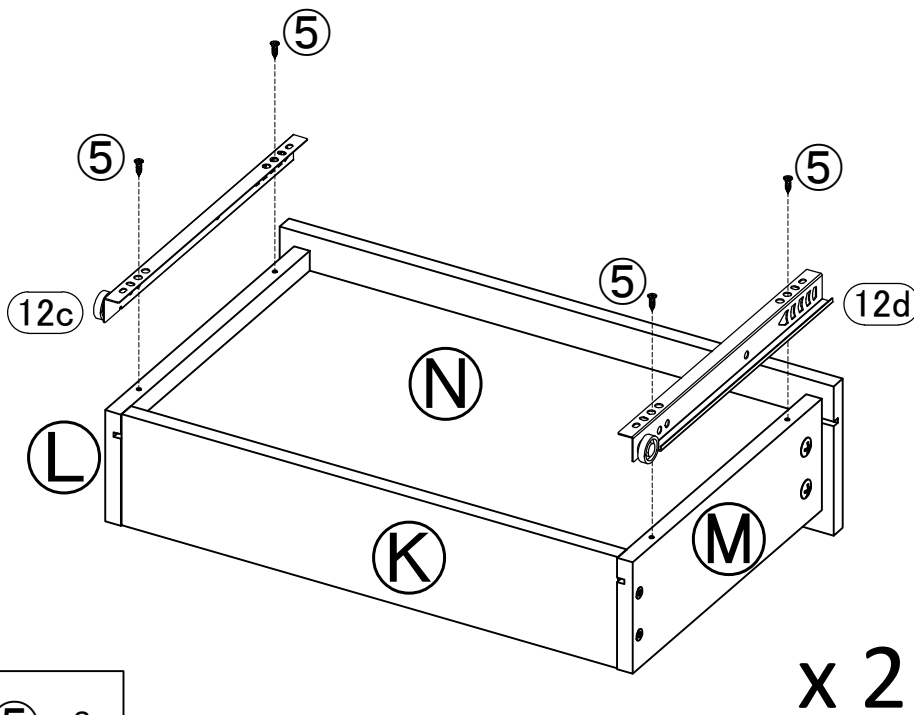


Assembly Step

Step 16

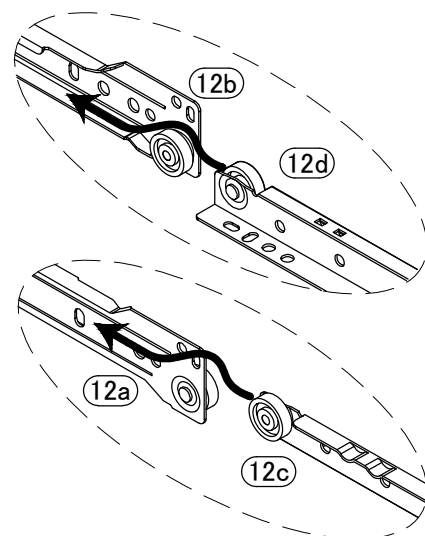
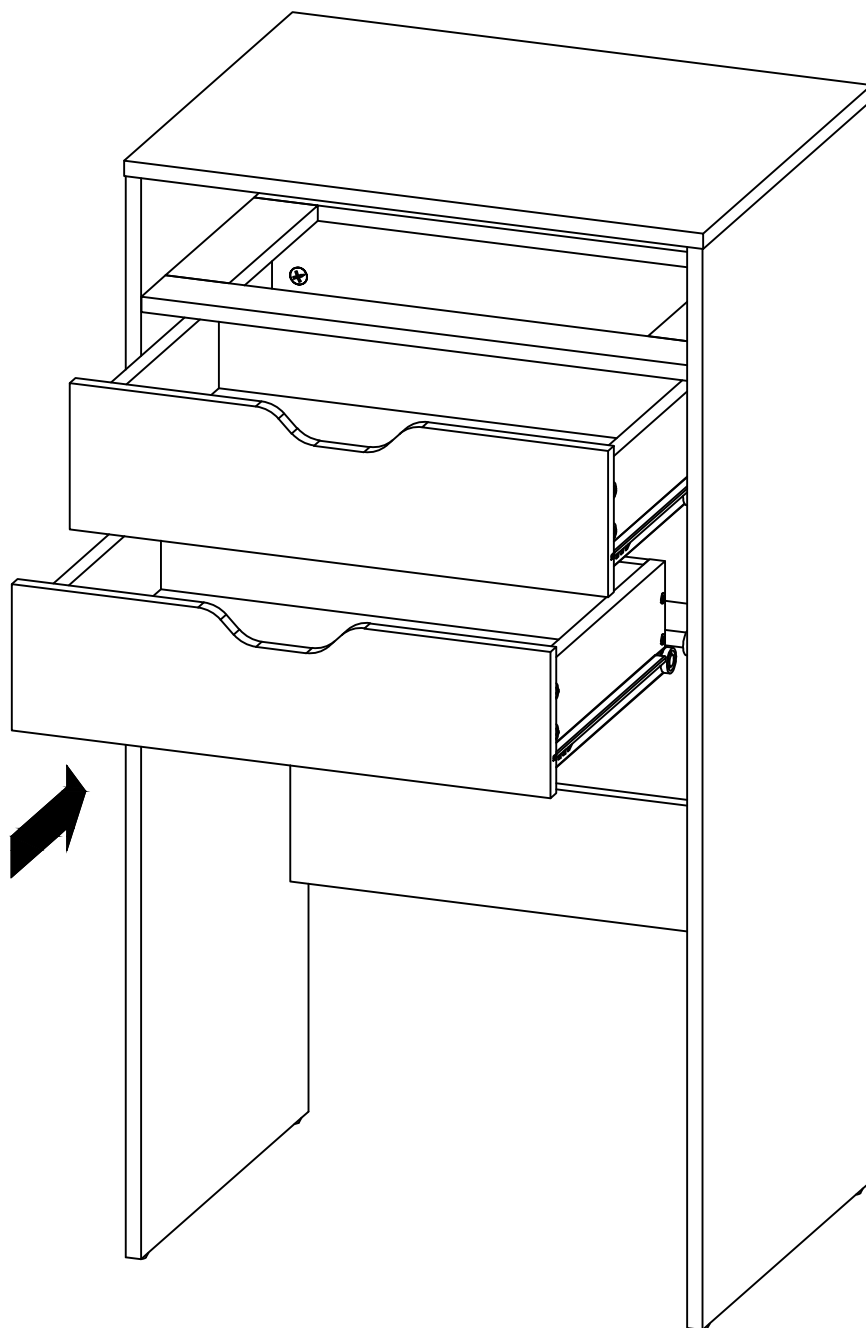


Step 17



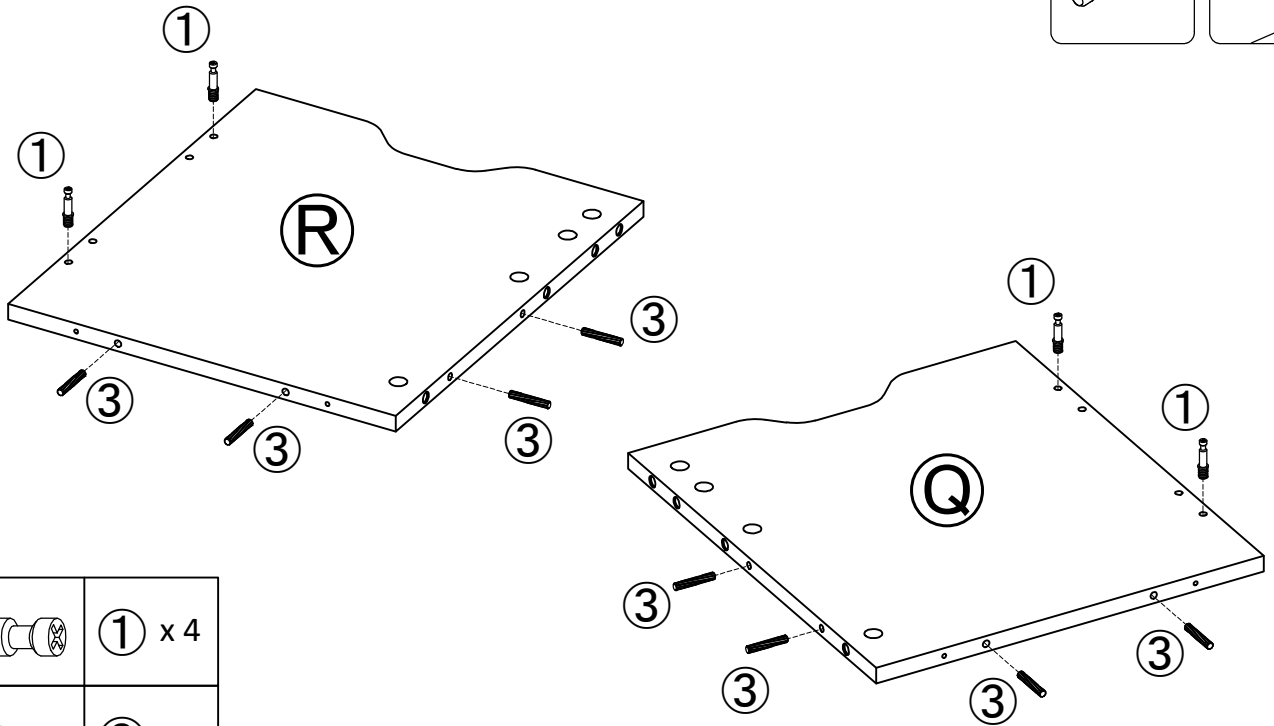
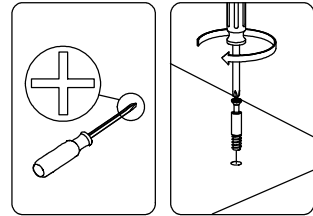
Assembly Step

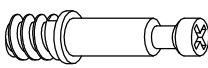
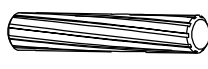
Step 18



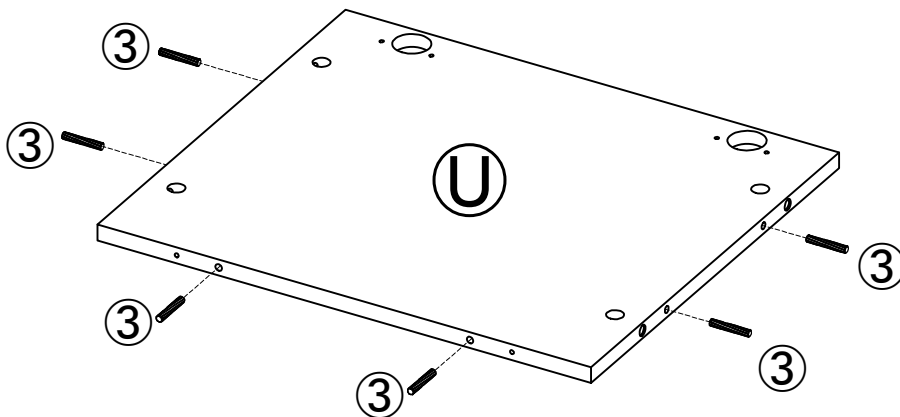
Assembly Step


Step 19



	① x 4
	③ x 8

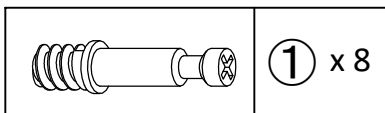
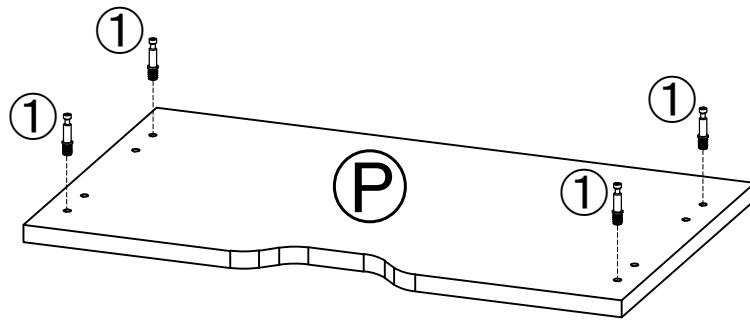
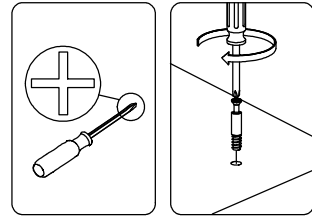
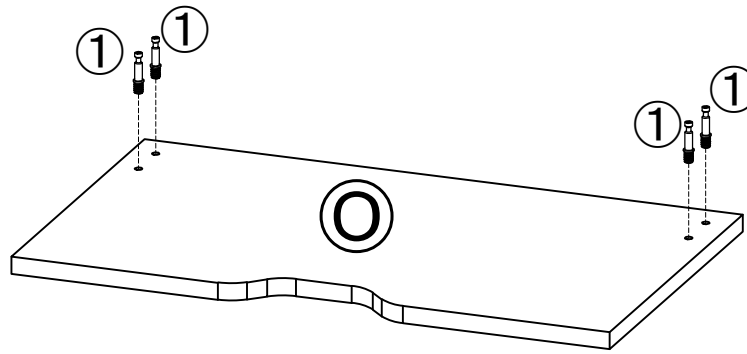
Step 20



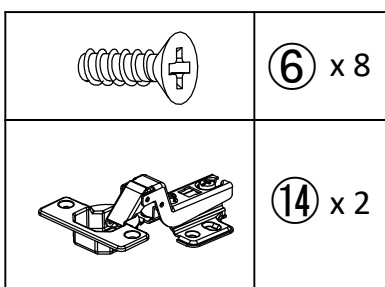
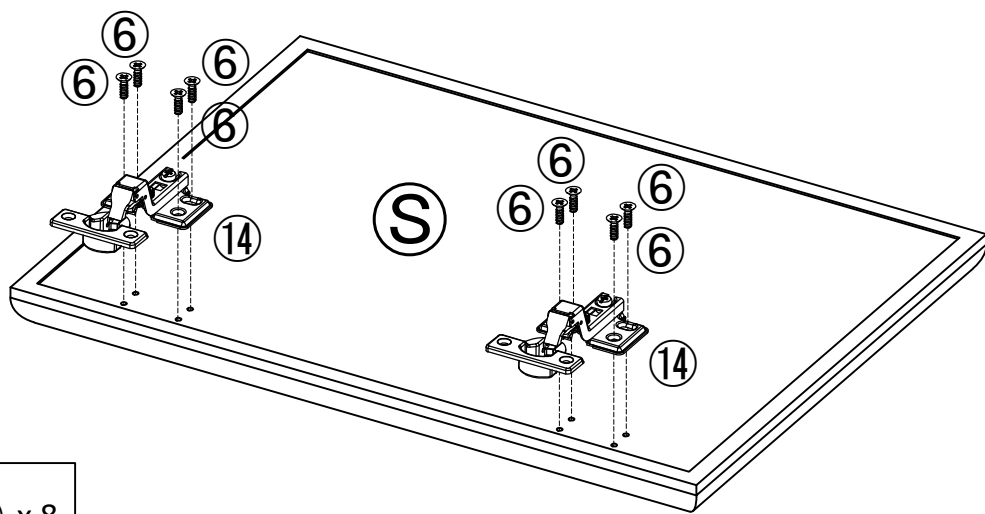
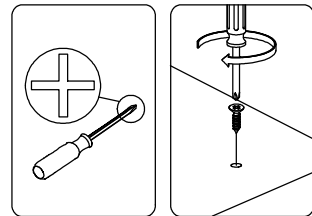
	③ x 6
------------------------------------------------------------------------------------	-------

Assembly Step

Step 21

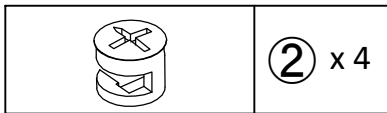
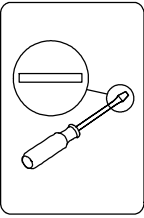
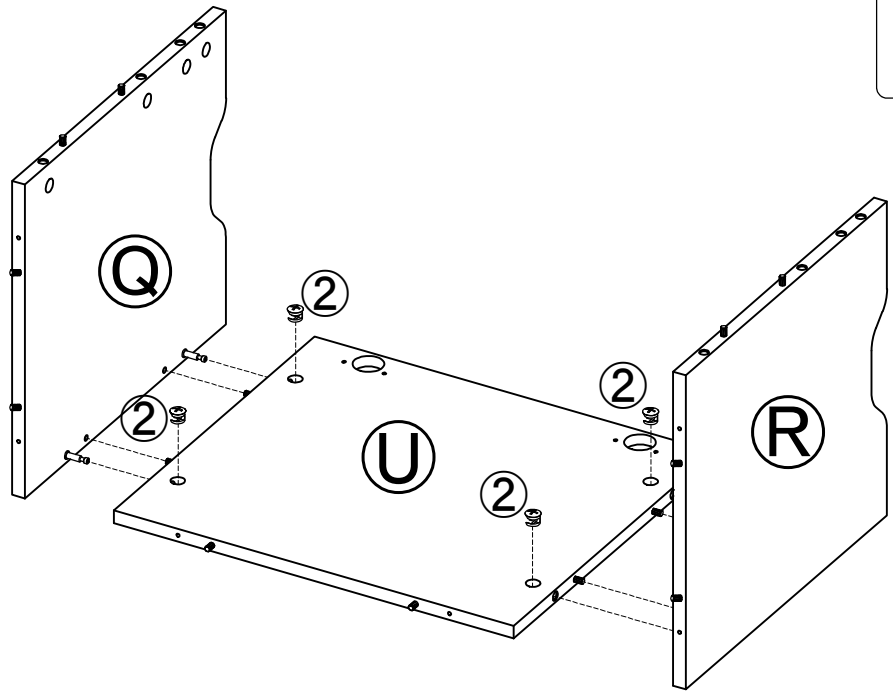
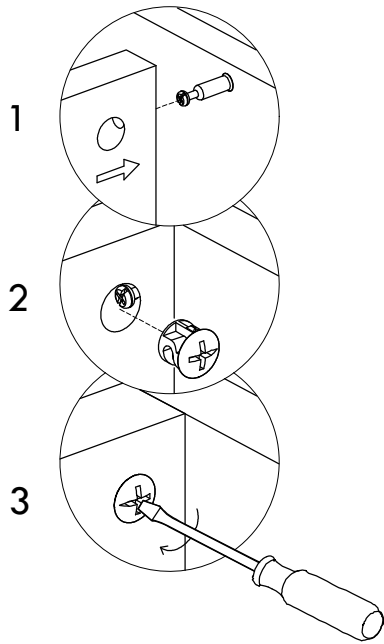


Step 22

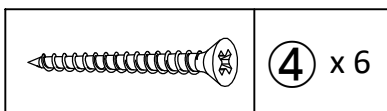
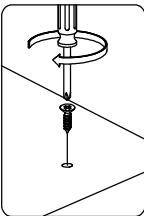
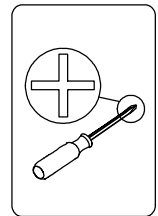
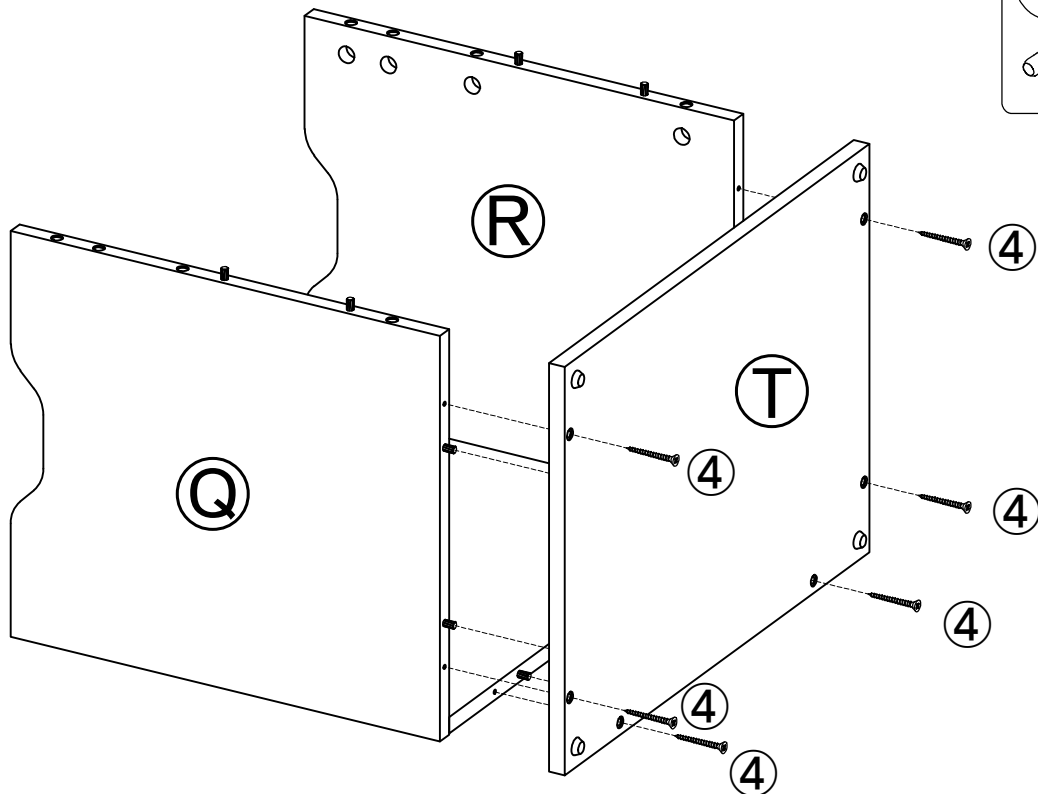


Assembly Step

Step 23

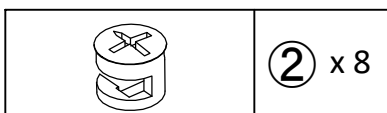
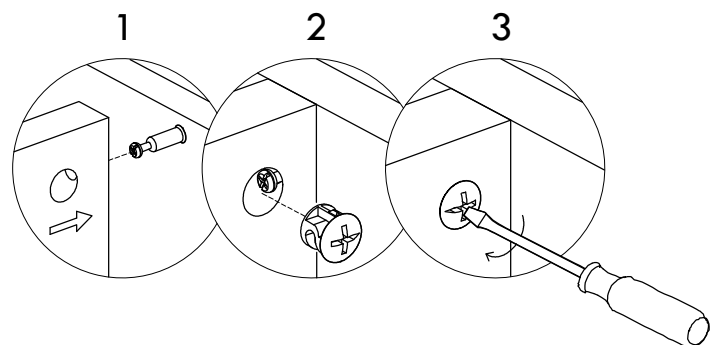
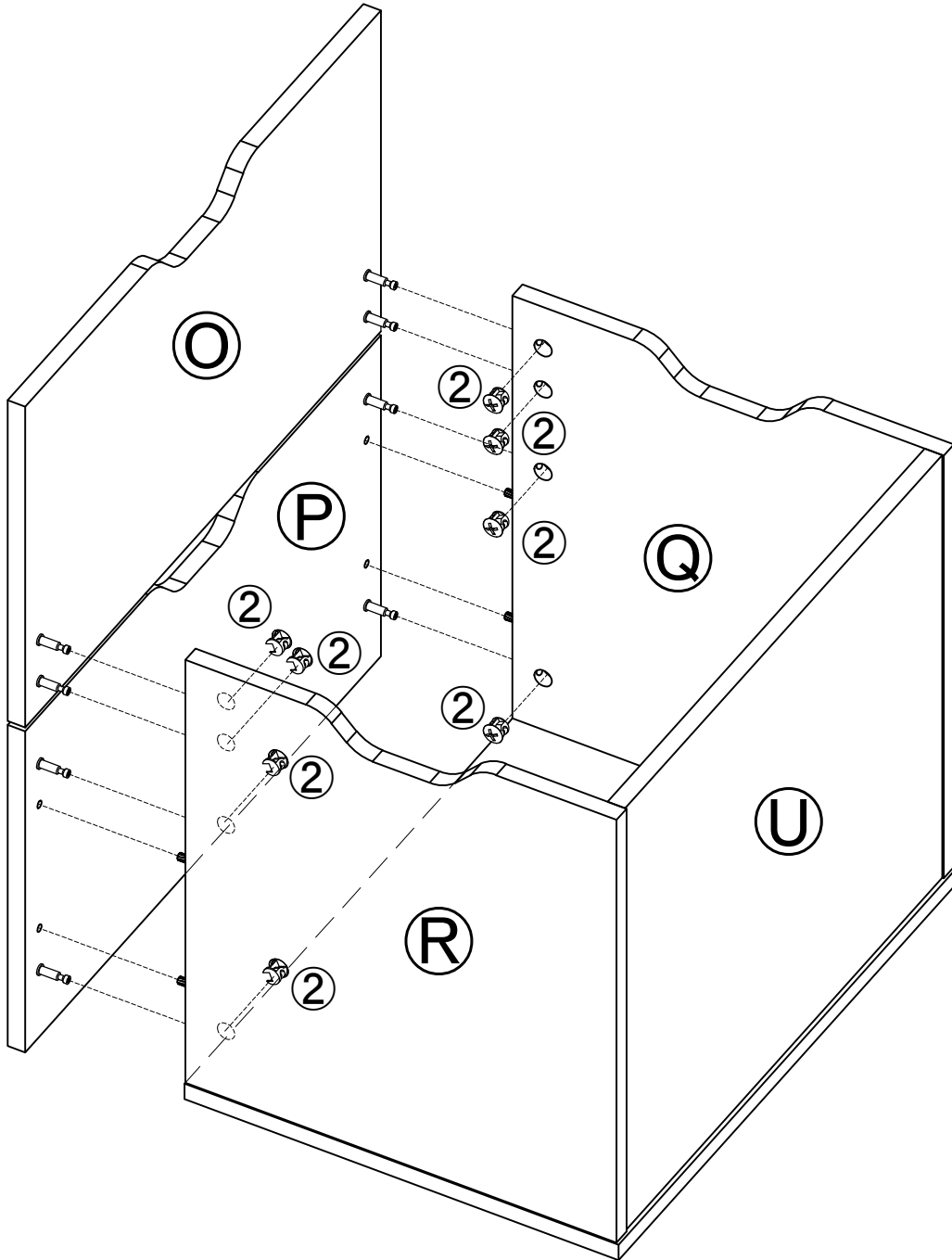
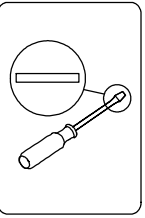


Step 24



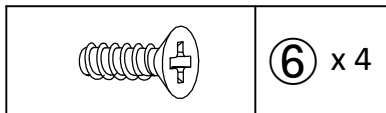
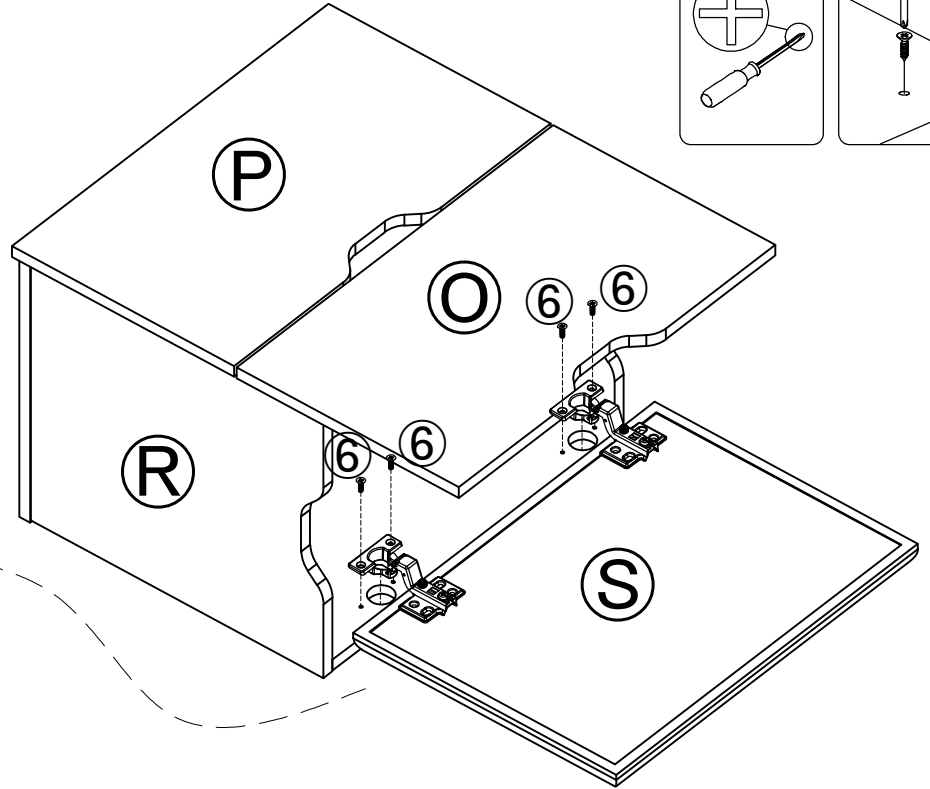
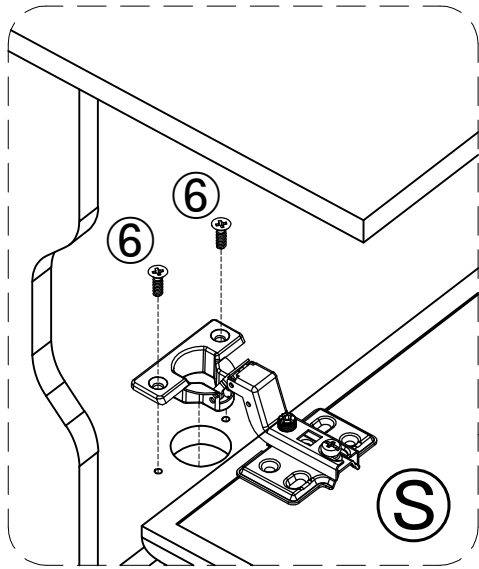
Assembly Step

Step 25



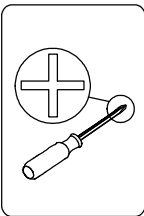
Assembly Step

Step 26

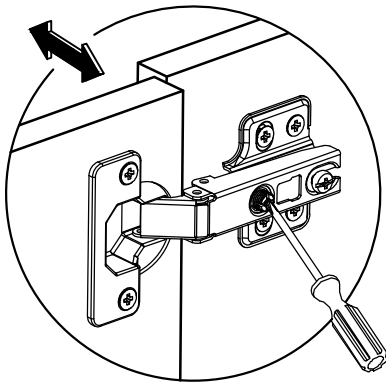


Step 27

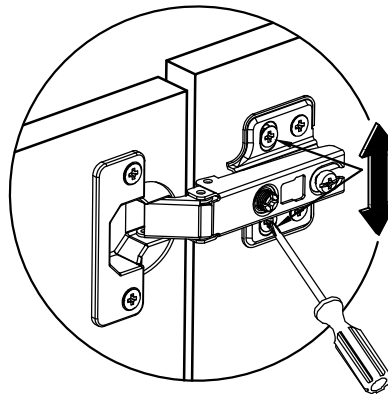
If necessary, adjust hinges to properly align doors as shown below.



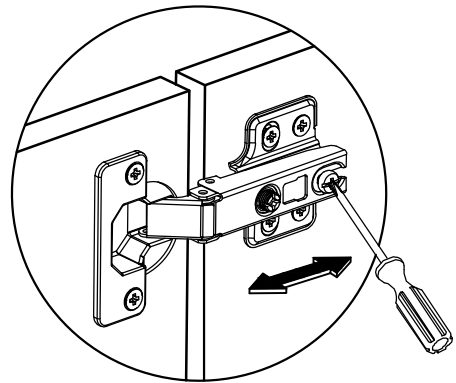
Adjusting possibilities



Lateral Adjustment



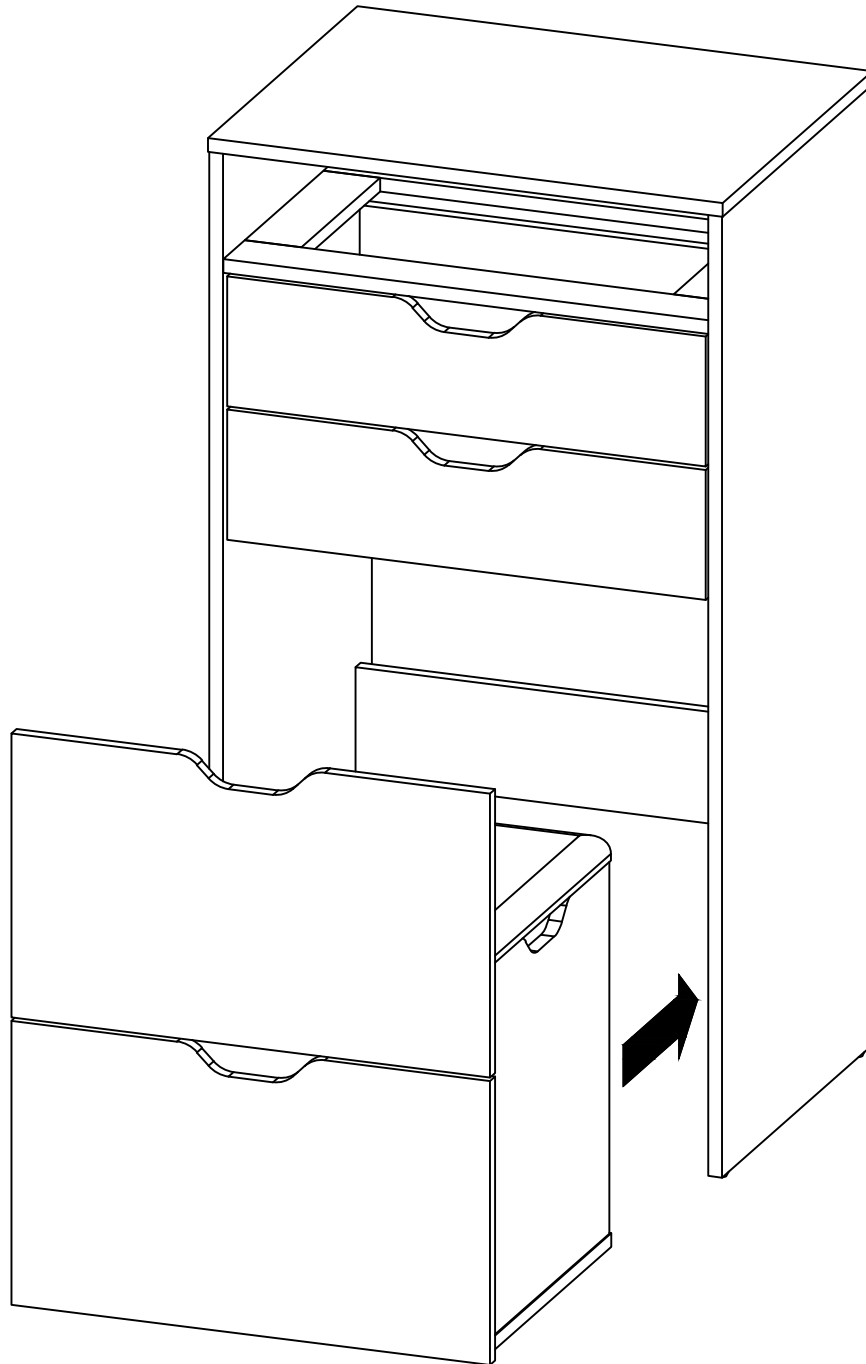
Vertical adjustment



Forward/backwards adjustment

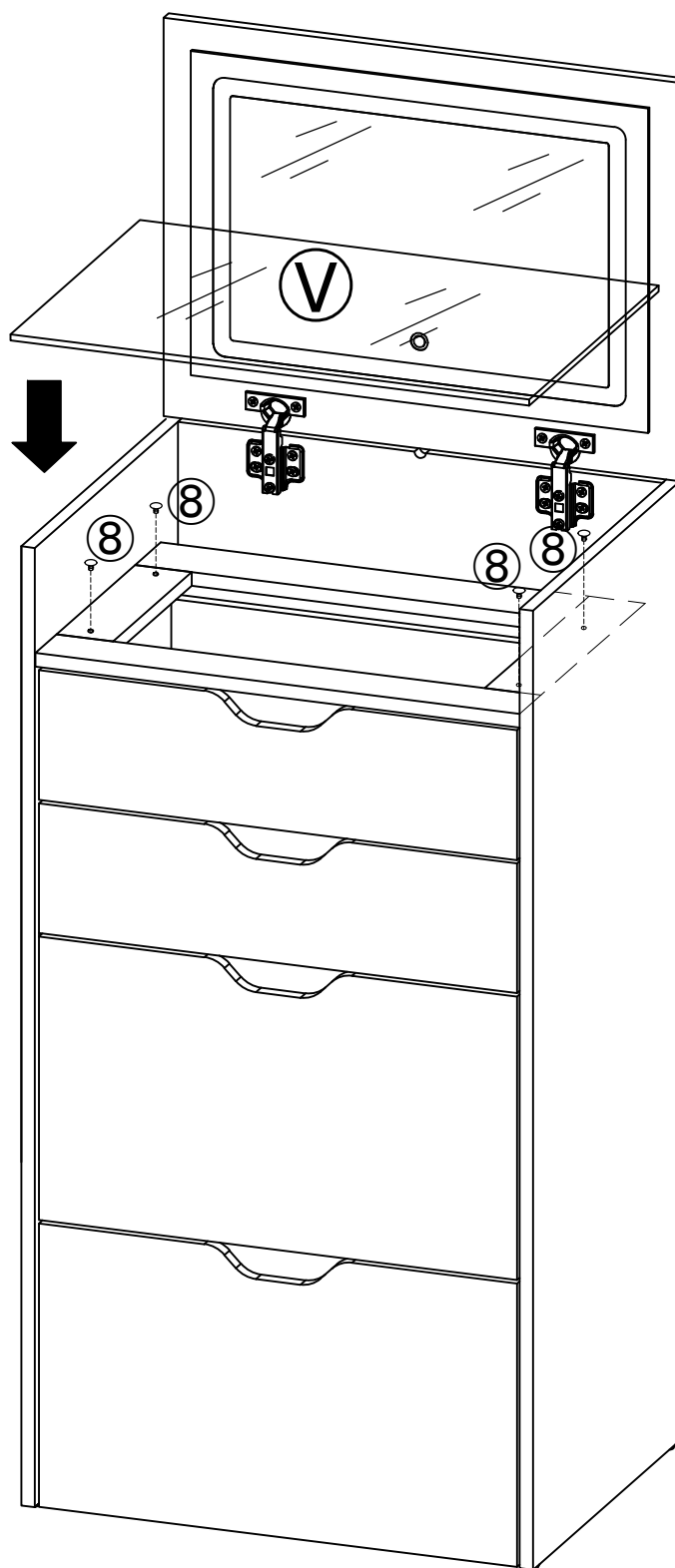
Assembly Step

Step 28



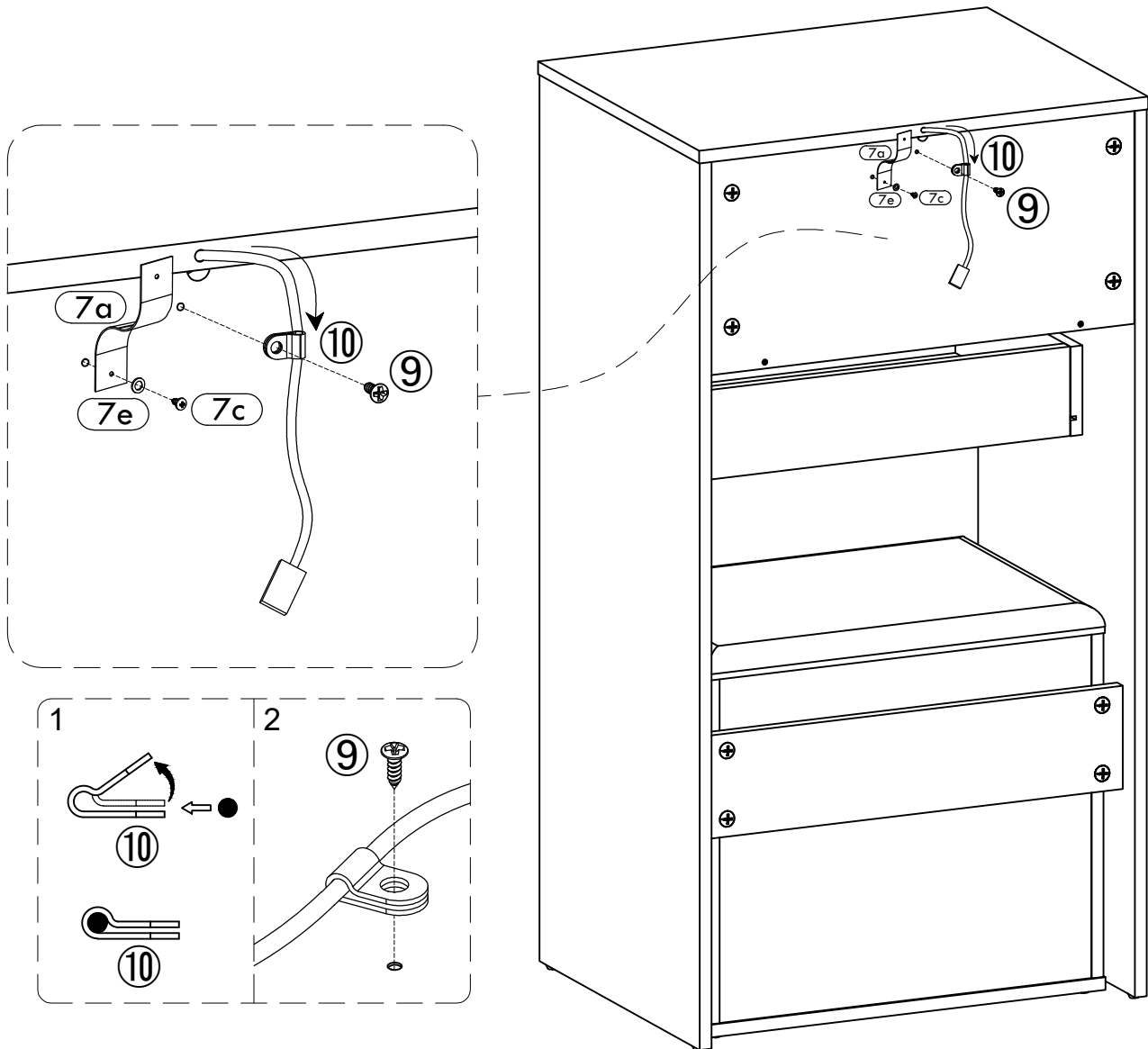
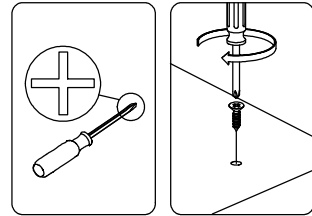
Assembly Step


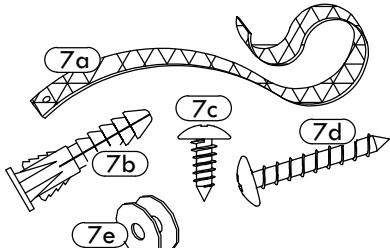

Step 29



Assembly Step

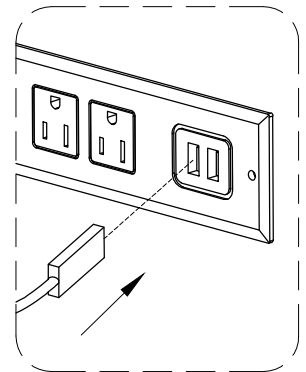
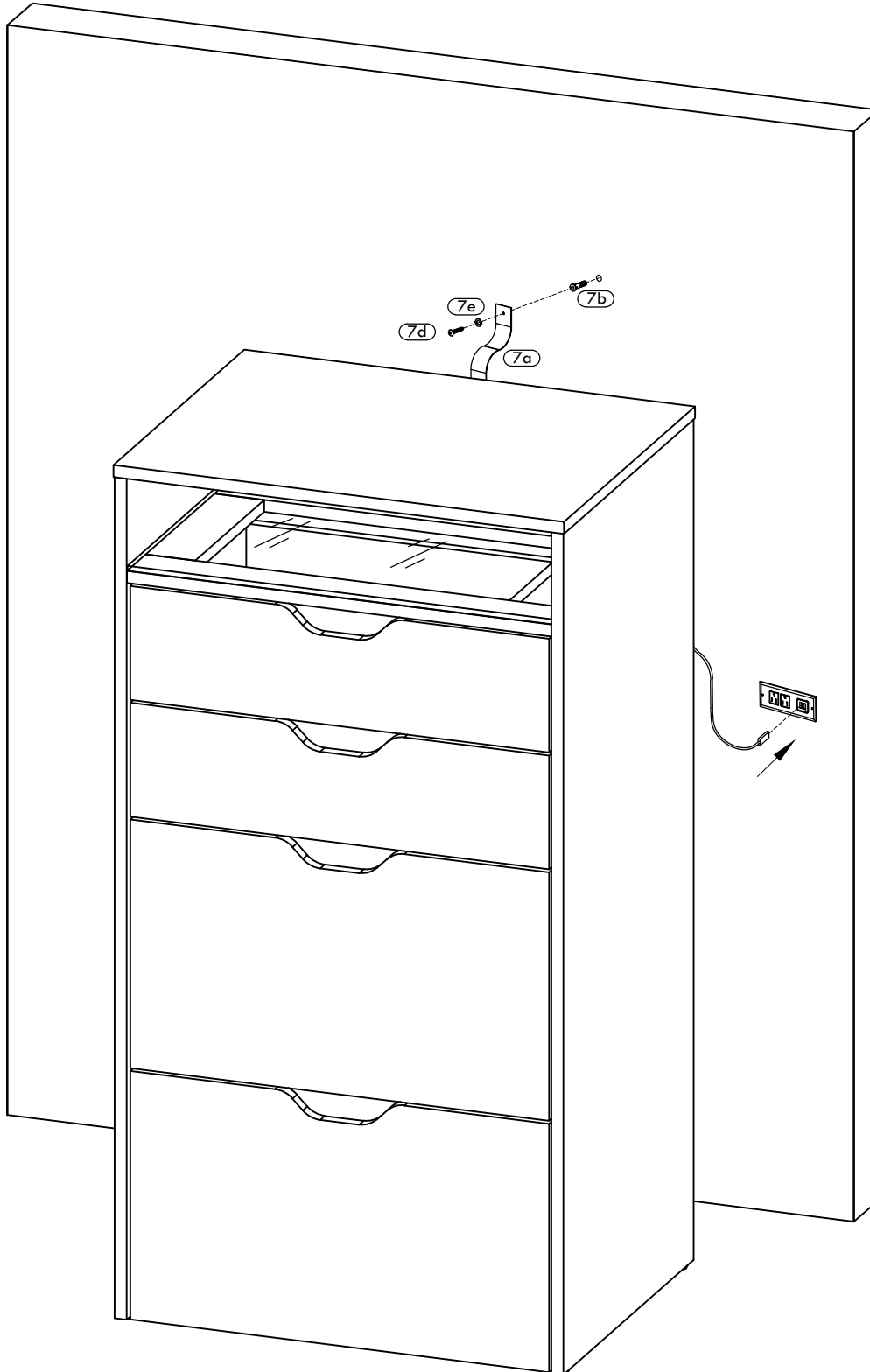
Step 30



	9 x 1		7 x 1
	10 x 1		

Assembly Step

Step 31



CAUTION: For your safety, please use a 5V socket or adapter with a USB connector to connect the light strip.