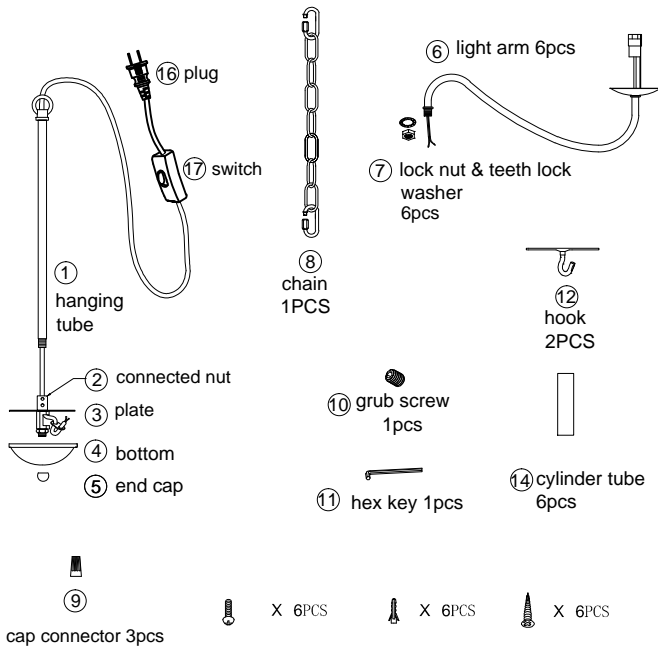
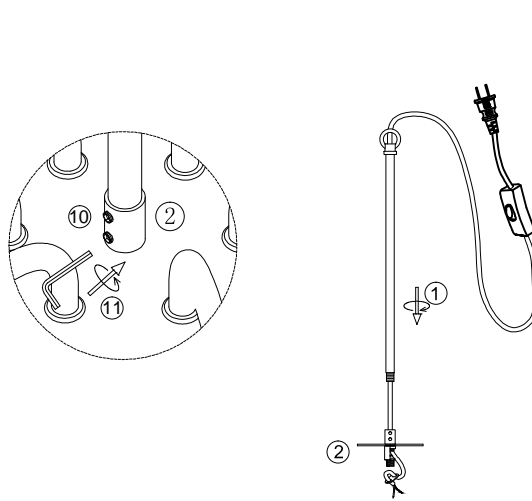


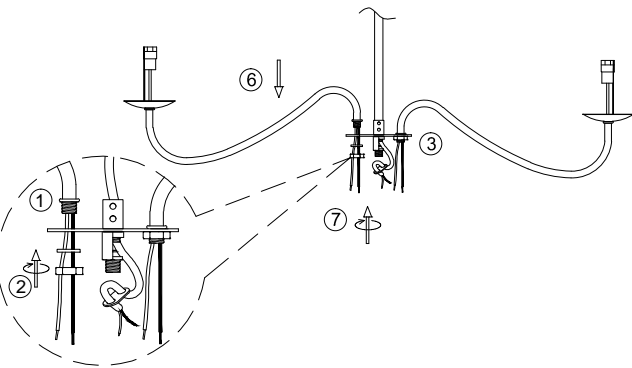
Installation & Assembly



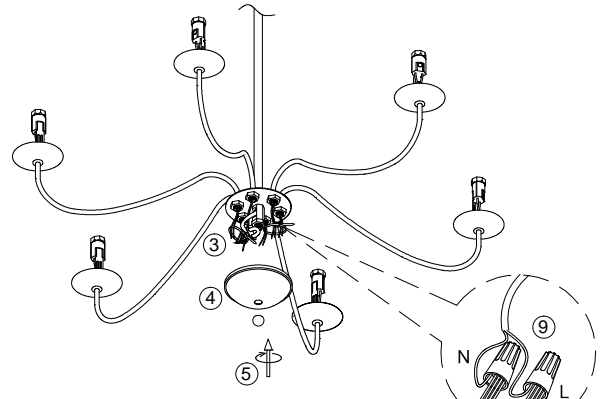
cap connector 3pcs



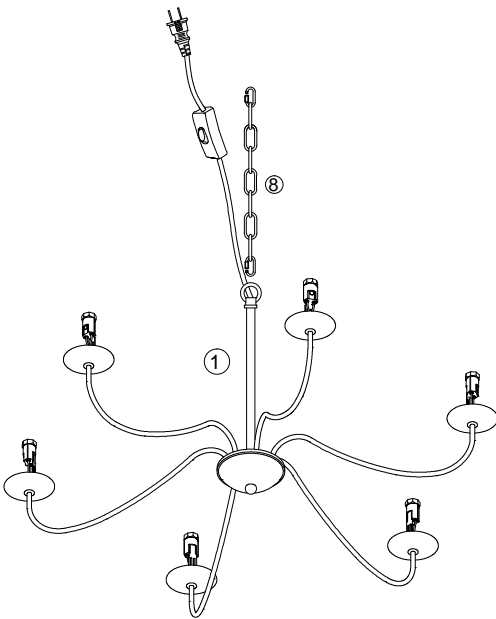
1. Install the hanging tube ① to the connected nut ②, fixed the tube ① with grub screw ⑩ by rotate hex key ⑪.



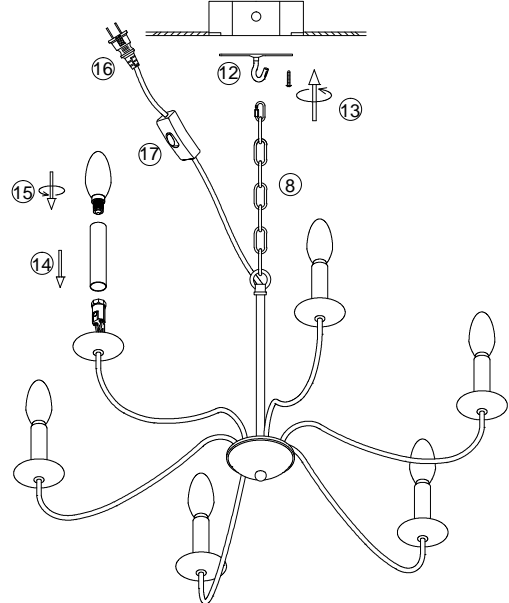
2. Install the arm ⑥ on the plate ③ with lock nut & teeth lock washer ⑦, after that adjust the light arms ⑥ to the right position.



3. Connect all the wires by parallel with cap connectors ⑨ (all live line-L use one connector, and neutral Line-N use another connector), after that close the bottom ④ to the plate ③ by end cap ⑤.



4. Hang the fixture ① to the chain ⑧.



5. Install the hook ⑫ to the ceiling junction box with screw ⑬.
6. Hang the chain ⑧ to the hook ⑫.
7. Put the cylinder tube ⑭ on the bulbholder and install the bulb ⑮.
8. Plug in the plug ⑯ and switch on the light, installation finish.

Please read carefully before installation!!!

Note : Please make sure that the electricity is powered off during installation !

Only a professional electrician should install this kind of product !