

ITEM NO.SFAY1385

NOTE:

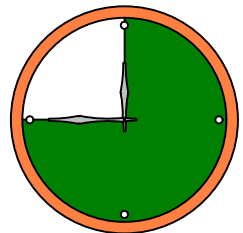
This brochure contains IMPORTANT safety info. Please read and keep for future reference.

MAINTAINANCE AND WARNING

- 1.Keep furniture away from heat sources.
- 2.Do not clean furniture with harsh cleaner or polishes.Do not use detergents,solvents,abrasives,spray packs or leather cleaner. Use non-color mild soap with warm water to clean spills(Mix 1:10 soap to water).
- 3.Do not place furniture under direct sunlight,material will possibly fade over time.
- 4.Do not use on site dry cleaning machine.Children should not climb or jump on the furniture.
- 5.Do not write on furniture that is not protected by a padded barrier.
- 6.Not for commercial use,only for residential use.

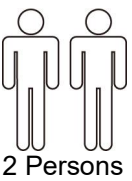
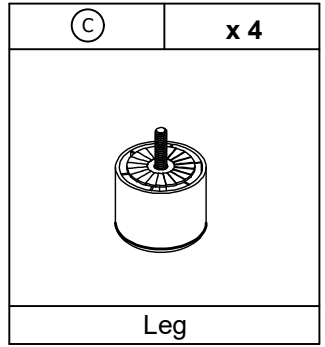
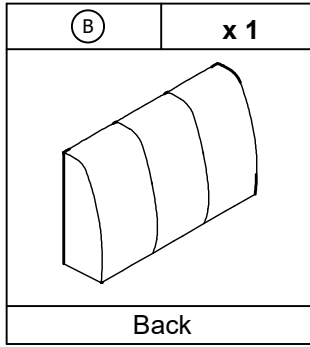
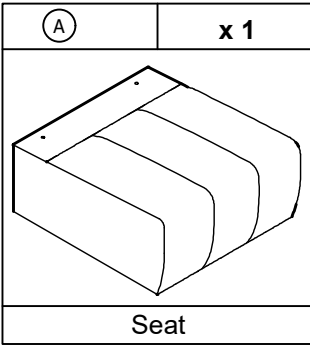


Weight Limitation
350 LBS

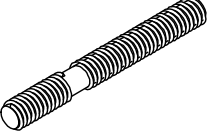


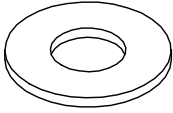
Around **15** min

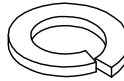
PARTS LIST

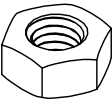


HARDWARE LIST

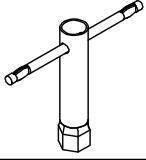
1	x 2
	
Stud φ5/16" X 70mm	

2	x 2
	
Washer	

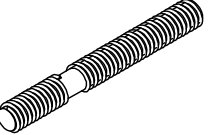
3	x 2
	
Spring Washer	

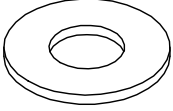
4	x 2
	
Nut	

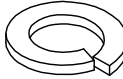
TOOL LIST

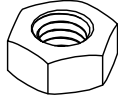
5	x 1
	
Wrench	

HARDWARE SPARE LIST

1	x 1
	
Stud φ5/16" X 70mm	

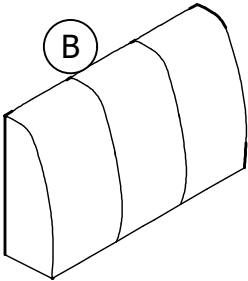
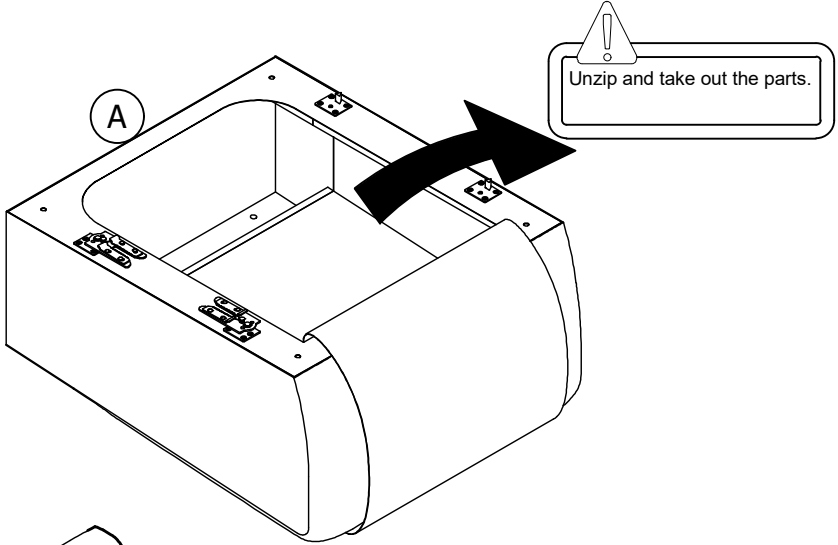
2	x 1
	
Washer	

3	x 1
	
Spring Washer	

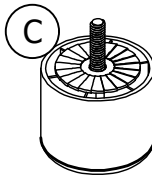
4	x 1
	
Nut	

ASSEMBLY INSTRUCTIONS

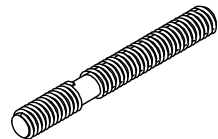
STEP-1



X 1



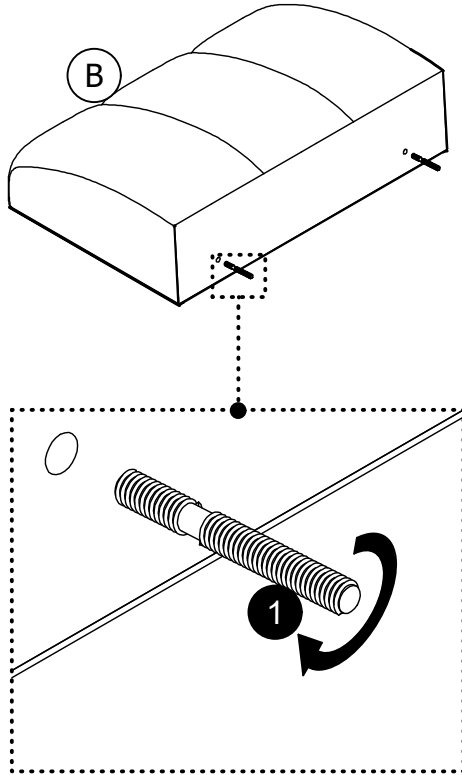
X 4

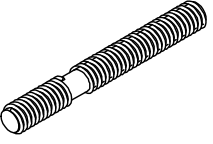


All of Hardware

ASSEMBLY INSTRUCTIONS

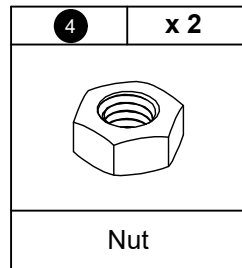
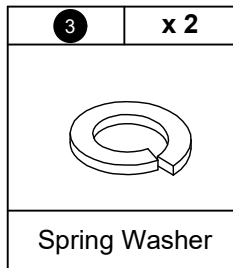
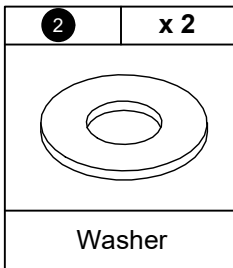
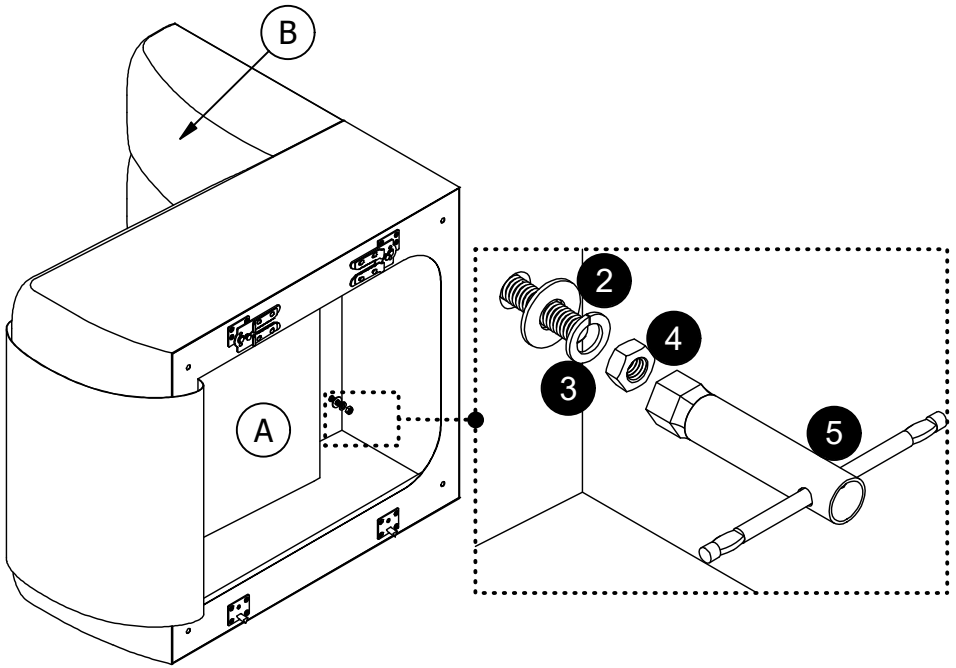
STEP-2



1	x 2
	
Stud φ5/16" X 70mm	

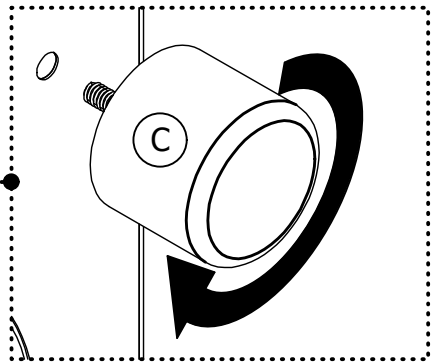
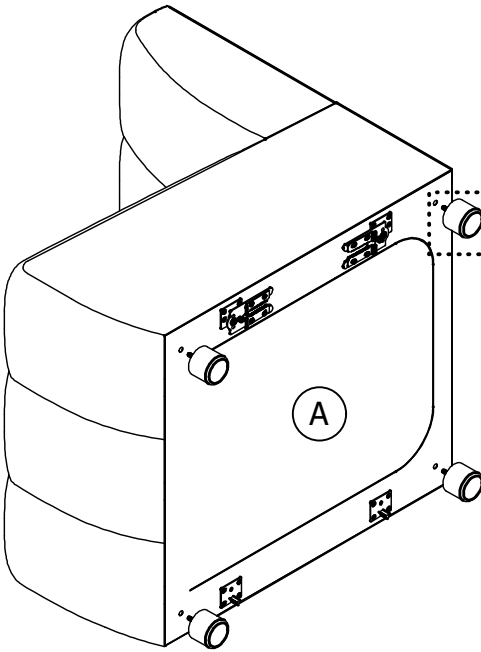
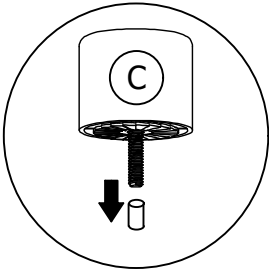
ASSEMBLY INSTRUCTIONS

STEP-3



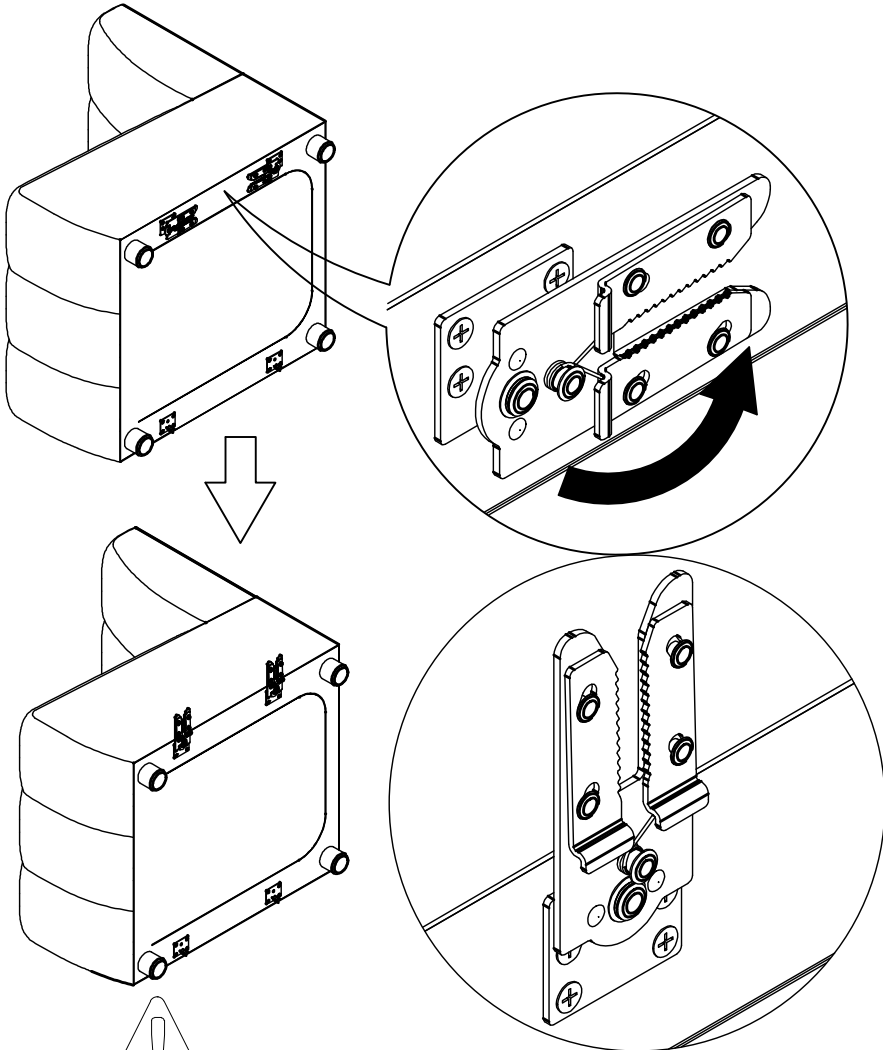
ASSEMBLY INSTRUCTIONS

STEP-4



ASSEMBLY INSTRUCTIONS

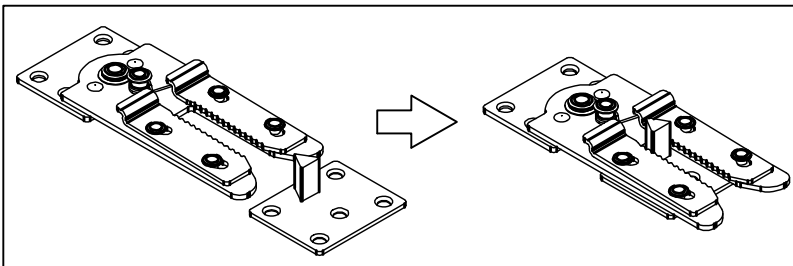
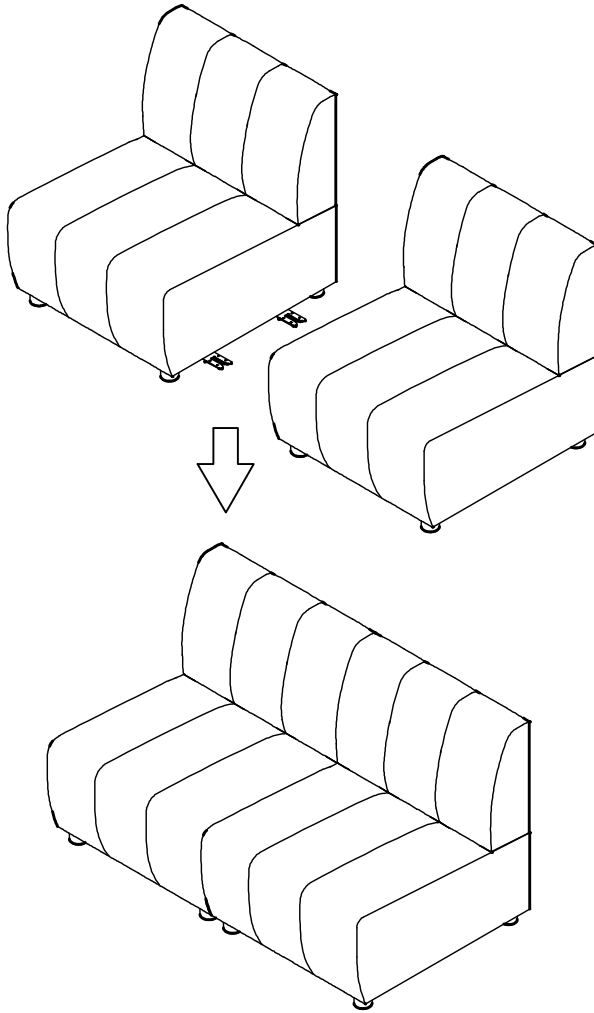
STEP-5



! if you have purchased two more chairs, please assemble as step 5 & 6 .

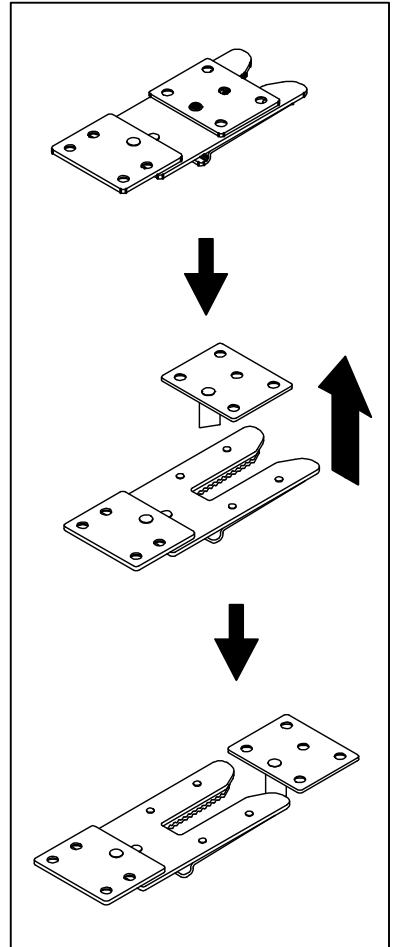
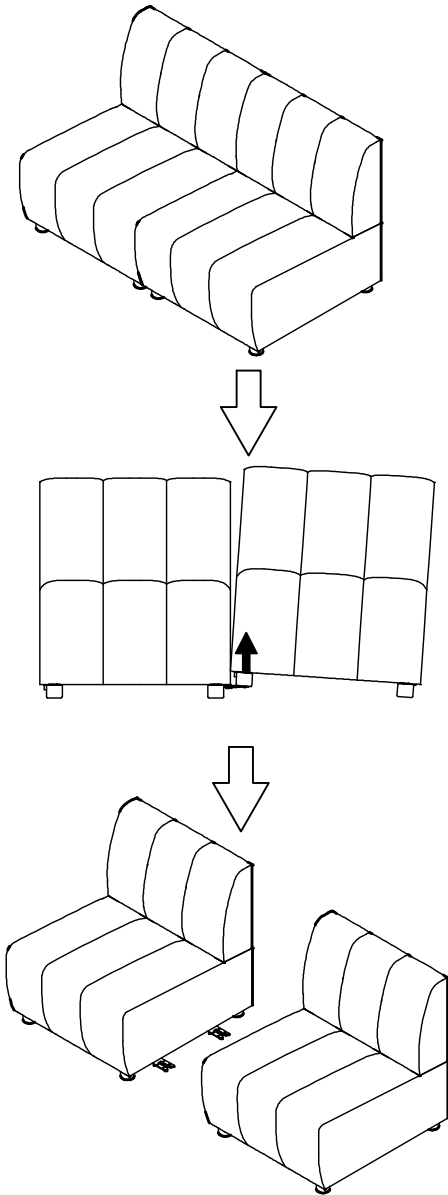
ASSEMBLY INSTRUCTIONS

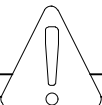
STEP-6



ASSEMBLY INSTRUCTIONS

STEP-7




If you want to change assembling method, you just need to lift the right side of chair, as shown.

WARRANTY

1. We strive to offer high-quality products, and we also try our best to satisfy each and every customer that orders from us with product or service as needed.
2. We provide 30 days warranty starting from the time you receive the item. Each customer must provide a record of their order such as the order number, or item receipt for any items that are out of the warranty period you may also still receive.
3. Replacement parts by purchasing them with our company if they are available.

Are you having difficulty
With assembly? Missing parts?
Please send email with your order No to
customerservice@hulalahome.com
For return, please check the return policy with
the retailer or market place you bought from.

Appreciate your purchasing from us.
Pop up your life by our furniture piece!