

RSDU30R



Product family	Refrigerator
Installation	Built-in
Category	Single door
Built-in niche	>200
No-frost system	Yes
Cooling type	Total no-frost - Dual-flow cooling system
Defrost	Automatic
Hinge	Door-to-door
Kitchen panel	Not supplied
Hinge position	Right
EAN code	8017709332747



Aesthetic

Aesthetics	Universal	Drawers profile color	Silver
Material	Metal	Glass shelf profile color	Silver
Logo color	Silver	Display	TFT
Side material	Steel	Display position	Internal
Logo	Silkscreened	Water filter	Yes
Door shelf profile color	Silver		

Refrigerator compartment features



Number of compartments	3	Crisper drawer type	Sliding crisper
Compartment types	Fruit and vegetable compartment	Crisper cover	Yes
No. of adjustable shelves	3	Type of crisper cover	Glass
Number of fruit and vegetables drawers	3	Refrigerator lighting	Yes
Type of adjustable shelves	Glass	Refrigerator lighting	LED

Refrigerator Inner Door

Number of adjustable door shelves	3	Adjustable door bins with wire support	Yes
--	---	---	-----

Other Refrigerator features



MultiFlow

Yes

Other technical features



Display functions

Holiday, Fast-cooling, Temperature alarm, Showroom mode, Sabbath

Door open alarm

Yes

Temperature Alarm

Yes

Temperature setting type

Electronic

No. of compressors

2

Refrigerant gas type

R600a

Compressor type

Inverter

Refrigerant quantity

3.0 oz

Performance / Energy Label

Annual energy consumption

343 kWh/year

Climatic class

SN, N, ST, T

Total volume

17.45 cu. ft.

Electrical Connection

Current

2,5 A

Power cord length

78 3/4 "

Voltage (V)

115 V

Plug

(B) NEMA 5-15P

Frequency (Hz)

60 Hz

Logistic Information

Width

29 15/16 "

Height

83 7/16 "

Built-in niche width

30 "

Built-in niche height

84 "

Depth without handle

24 "

Width with doors open at 90°

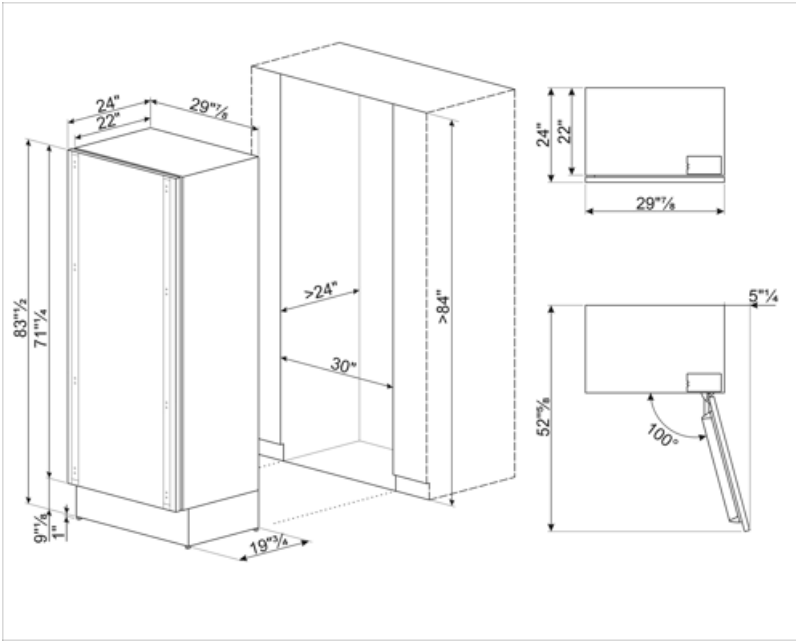
35 1/8 "

Built-in niche depth

24 "

Depth with door open at 90°

52 11/16 "



Compatible Accessories

RSFZLK



Symbols glossary



The automatic defrost system works by automatically defrosting at regular intervals eliminating the need to defrost altogether.



LED interior lighting: is a more energy efficient and long lasting way of illuminating the interior of the appliance.



Air plus: keeps food fresher for longer.



Power saving mode: The power saving mode allows you to disable the refrigerator and keep the freezer working.



Inverter technology: The evolution of Smeg's driers towards more intelligent and environmentally sustainable models has led to the choice of using Inverter technology with heat pumps, which reduces significantly energy consumption.



Sabbath: This function allows you to cook food during the Sabbath, the Holiday of rest in the Jewish religion, respecting the precepts.