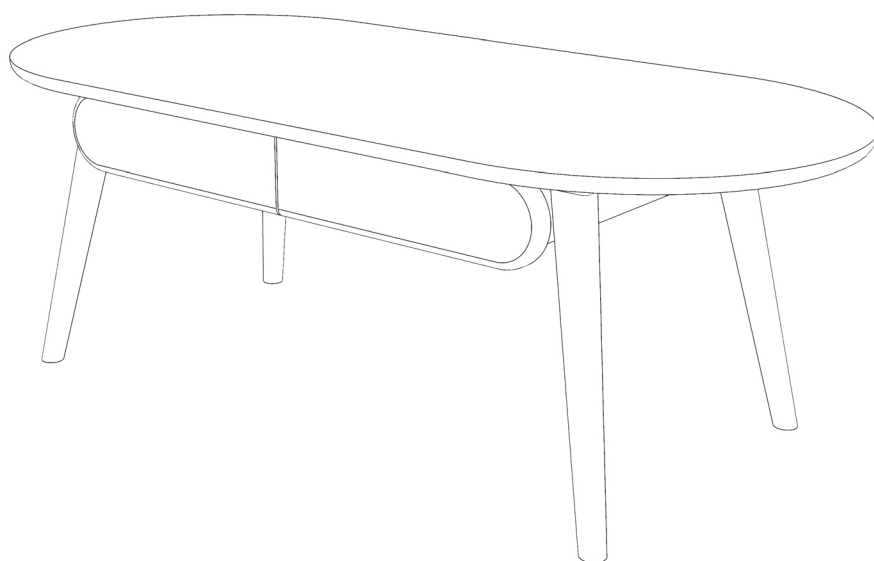


# Capsule-shaped coffee table with a hanging drawer

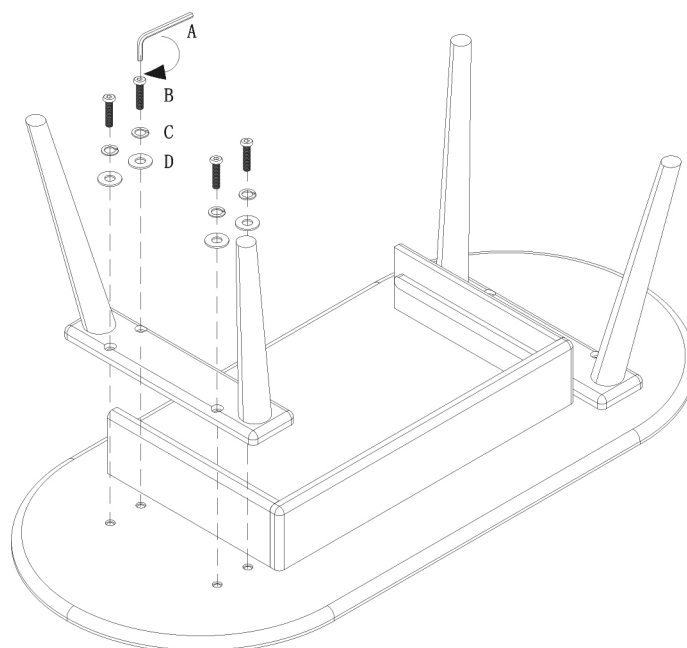
H83J44

## Assembly Instructions

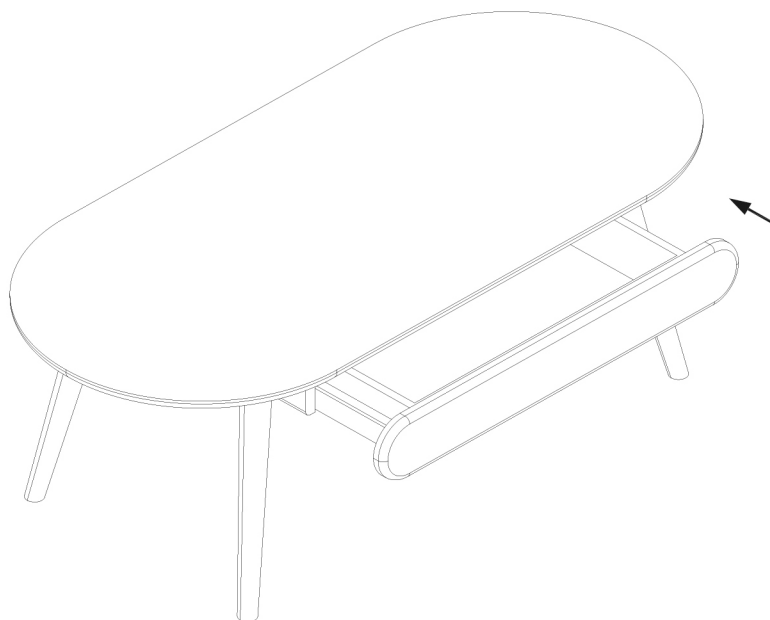


The assembly steps are as follows:

Step 1: Take out the drawer. Lay the desktop facedown on a flat, clean and non-abrasive surface. Attach the legs to the tabletop as shown in the diagram below. Make sure you fit the hardware together in the correct order.



Step 2: Stand the assembled table on the floor and replace the drawer.



			
A. Allen key x 1	B. Socket cap screws (M8) x 8	C. Split washers (ø8) x 8	D. Flat washers (ø8) x 8