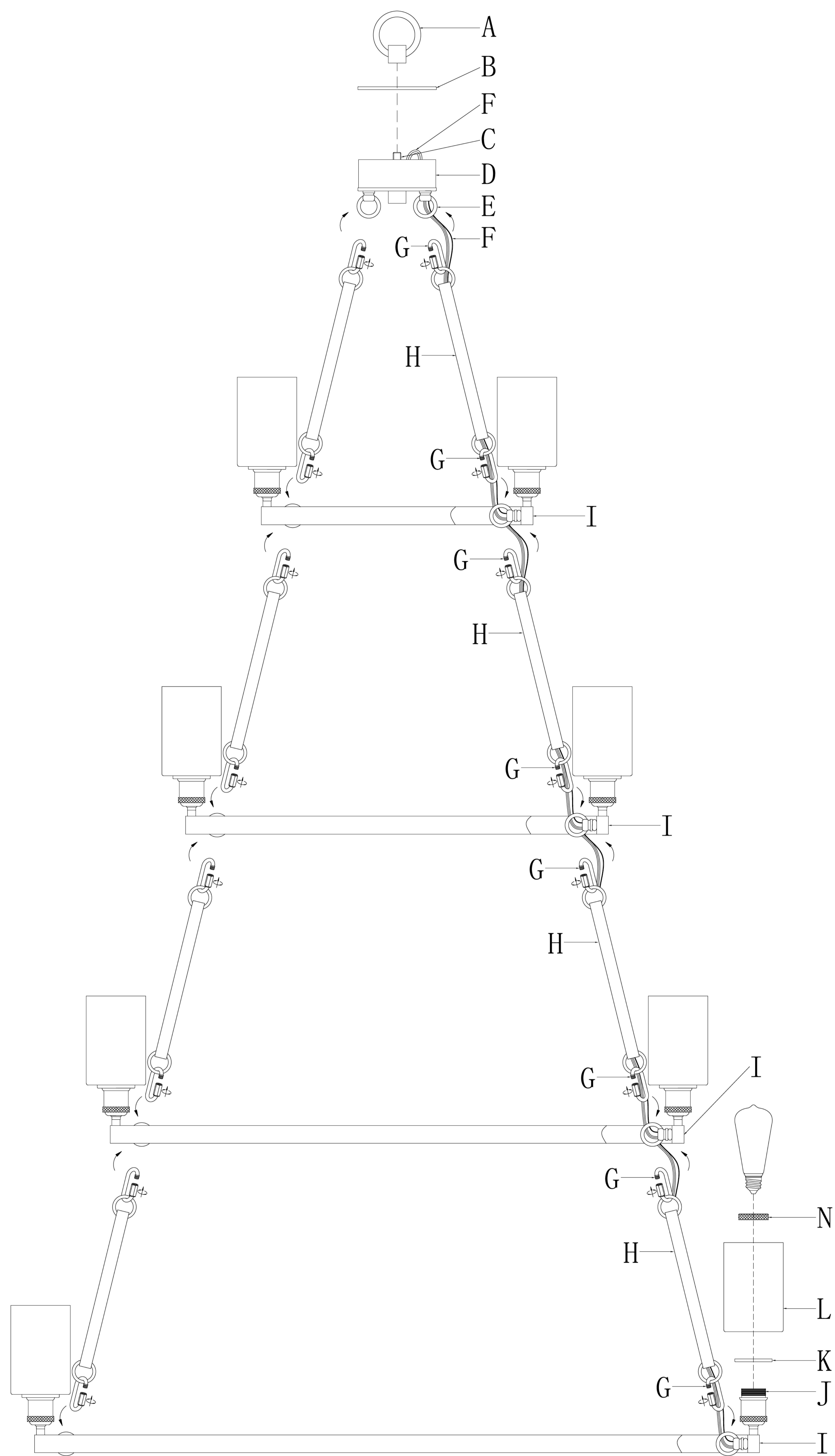


ITEM:



1.) Lock the center hub(E), rods(H) and ring frames(I) with open chain links(H).

2.) Unscrew the top loop(A) and open the flat cover(B). Pull and adjust the wire(F) from the inner center hub(D) to the decent length, do not get the wire tightened, If have the excess wire, you can hide them into the center hub(D). Screw the top loop(A) onto nipple(C) together after closing the flat cover(B). if have the excess wire exposed at the second tier and the third tier, please tuck them into the frame tube (I).

3.) Slide the check ring(K), shade(L) onto the cup(J) secured with socket ring(N). you can install the fixture with shade or without shade as option. If you don't need the shade, just ignore (K) and (L).

STANDARD MOUNTING PLATE INSTALLATION INSTRUCTIONS

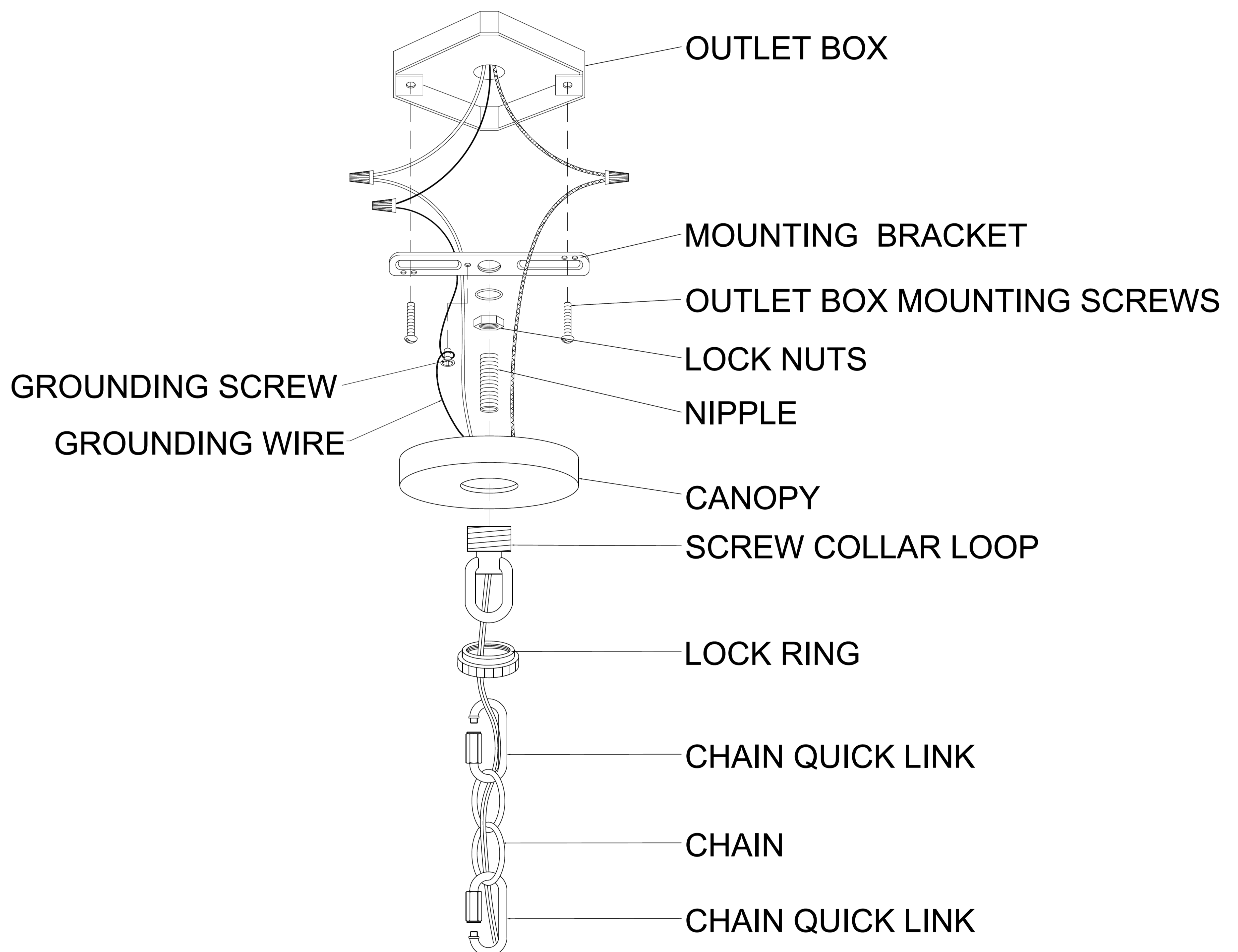
FOR YOUR SAFETY WARNING

Risk of Fire, Consult a qualified electrician to ensure correct branch circuit conductor.

Turn off the main power at the circuit breaker before installing the fixture in order to prevent possible shock.

General

All electrical connections must be in accordance with local and National Electrical Code (N.E.C.) standards. If you are unfamiliar with proper electrical wiring connections obtain the services of a qualified electrician. Remove the fixture and the mounting package from the box and make sure that no parts are missing by referencing the illustration.



CAUTION: DISCONNECT POWER DURING INSTALLATION

- 1.) If you are replacing an existing fixture, disconnect and remove the old fixture. Expose the supply wiring from the outlet box.
- 2.) Attach mounting bar with threaded nipple and screw collar loop and lock ring to outlet box secured with two box screws.
- 3.) Raise canopy up to slide over the screw collar loop secured with lock ring under ceiling
- 4.) Attach Chain quick links to the screw collar loop and the appropriate amount of chain
- 5.) Slide the lock ring and the canopy down along with the chain. Open the quick link at the other end and then hook onto top of fixture, close the quick links.
- 6.) Feed the fixture's wires up through the chain
- 7.) Pull out the wires and ground wire from the outlet box and fixture wires. Make wire connections with wire nuts.
--Ribbed wire (W/O marking) or white wire from fixture to White wire from power source.
--Smooth wire (W marking) or black wire from fixture to Black wire from power source.
--Attach the ground wires to mounting bar with a ground screw after wire connections, carefully tuck the wires into the outlet box.
- 8.) Raise canopy against ceiling and lock it in position by lock ring onto the screw collar loop.
- 9.) In accordance with the fixture's specifications. Do not exceed the maximum wattage.