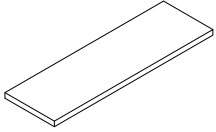
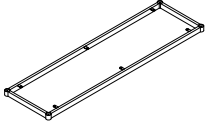
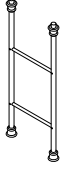
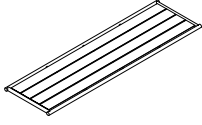
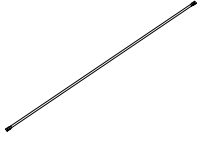


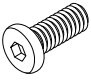
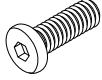
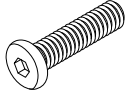
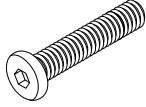

Console



PART LIST

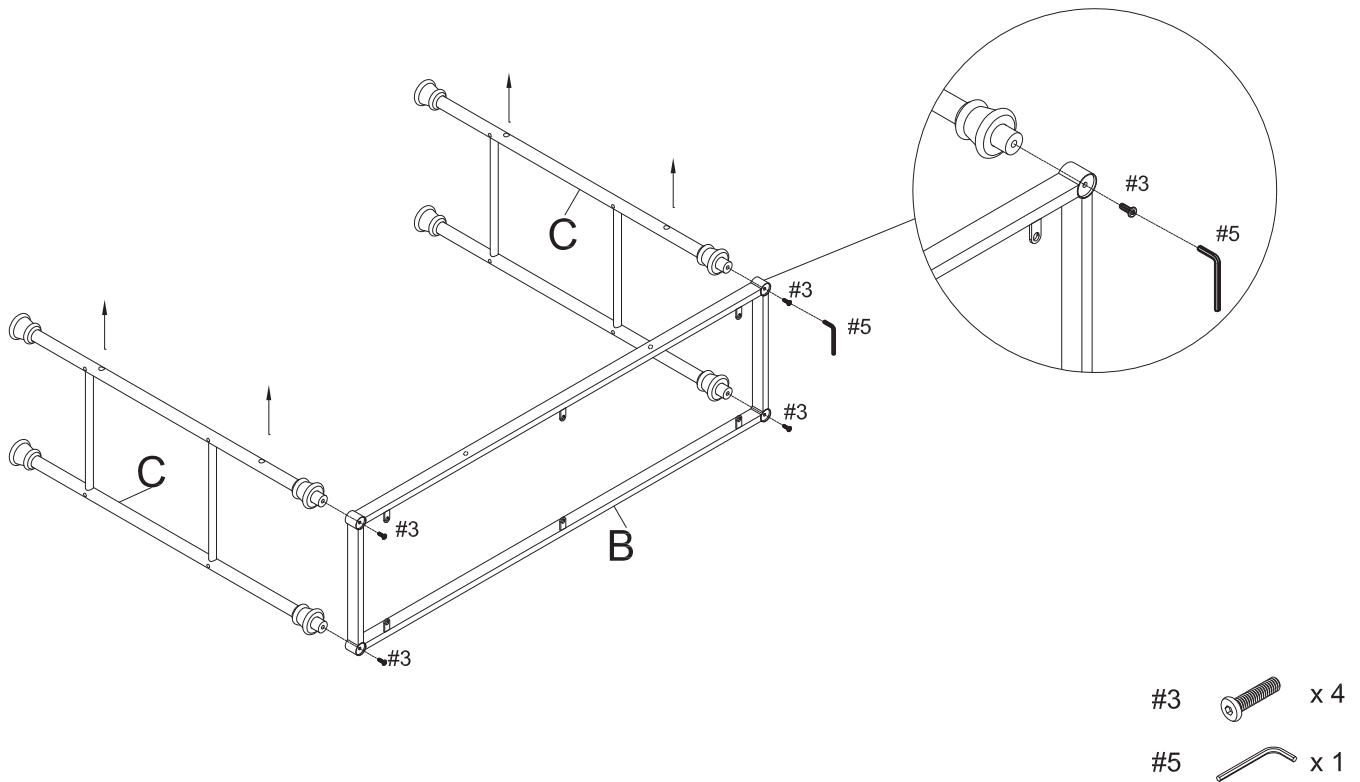
<div data-bbox="76 185 124 230" style="border: 1px solid black; padding: 2px; text-align: center;">A</div> 	<div data-bbox="363 185 411 230" style="border: 1px solid black; padding: 2px; text-align: center;">B</div> 	<div data-bbox="651 185 699 230" style="border: 1px solid black; padding: 2px; text-align: center;">C</div> 	<div data-bbox="938 185 986 230" style="border: 1px solid black; padding: 2px; text-align: center;">D</div> 	<div data-bbox="1225 185 1273 230" style="border: 1px solid black; padding: 2px; text-align: center;">E</div> 
<p style="text-align: center;">Marble Top 1 PC</p>	<p style="text-align: center;">Top Frame 1 PC</p>	<p style="text-align: center;">Side Panel 2 PCS</p>	<p style="text-align: center;">Shelf Panel 2 PCS</p>	<p style="text-align: center;">X Rail 2 PCS</p>

HARDWARE LIST

<div data-bbox="76 808 124 853" style="border: 1px solid black; padding: 2px; text-align: center;">#1</div>  <p style="text-align: center;">1/4' x 1/2"L</p>	<div data-bbox="363 808 411 853" style="border: 1px solid black; padding: 2px; text-align: center;">#2</div>  <p style="text-align: center;">1/4' x 5/8"L</p>	<div data-bbox="651 808 699 853" style="border: 1px solid black; padding: 2px; text-align: center;">#3</div>  <p style="text-align: center;">1/4' x 1"L</p>	<div data-bbox="938 808 986 853" style="border: 1px solid black; padding: 2px; text-align: center;">#4</div>  <p style="text-align: center;">1/4' x 1-1/2"L</p>	<div data-bbox="1225 808 1273 853" style="border: 1px solid black; padding: 2px; text-align: center;">#5</div> 
<p style="text-align: center;">Short Bolt 4 PCS (Extra1)</p>	<p style="text-align: center;">Bolt 6 PCS (Extra 1)</p>	<p style="text-align: center;">Medium Bolt 4 PCS (Extra 1)</p>	<p style="text-align: center;">Long Bolt 8 PCS (Extra 1)</p>	<p style="text-align: center;">Allen Wrench 1 PC</p>

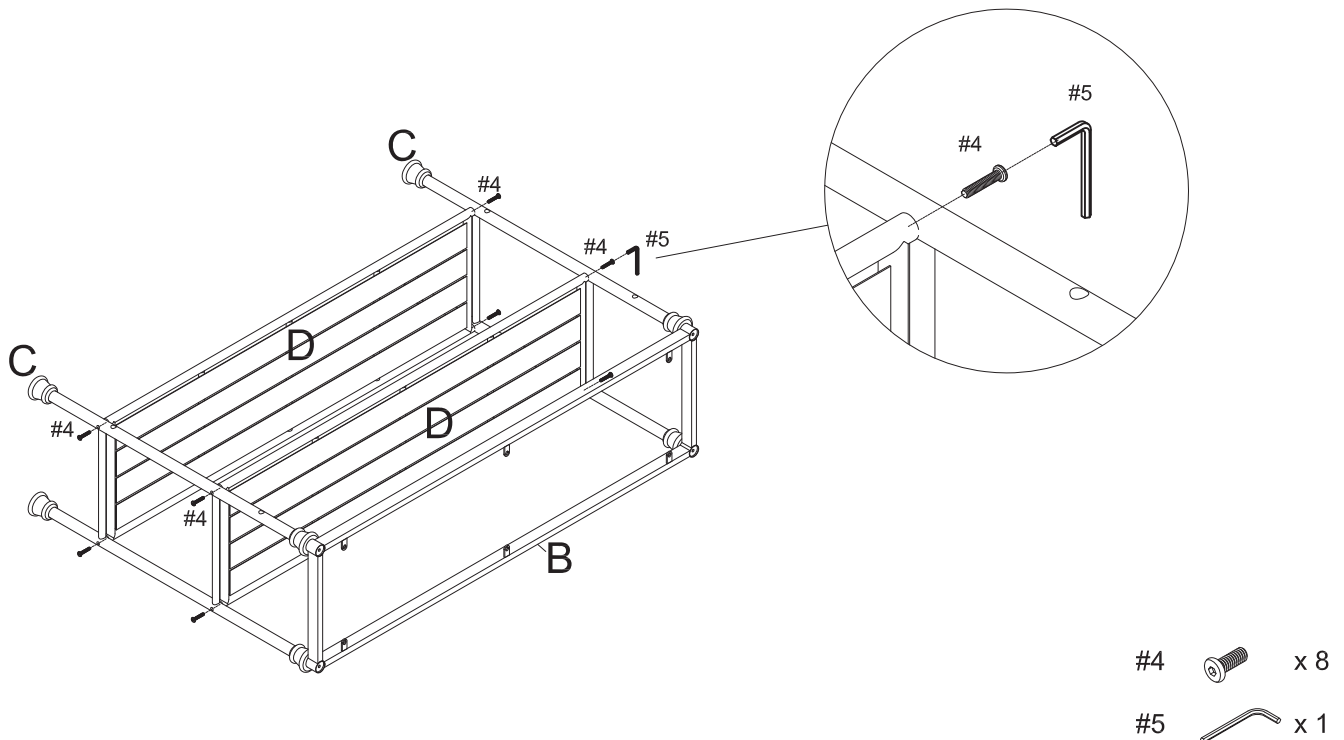
Step 1. Attach top frame (part B) to side panels (part C) using medium bolts (part #3) and allen wrench (part #5).

Note: The predrilled holes on top frame (part B) and side panels (part C) should be facing the same side.
Please do not fully tighten bolts at this time.



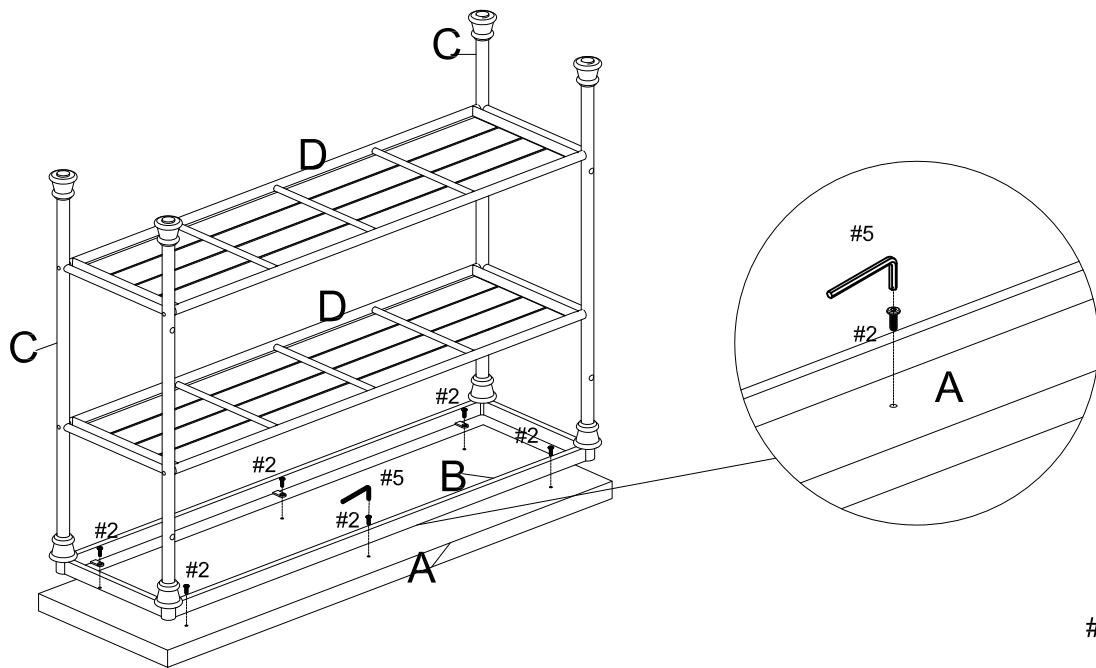
Step 2. Attach shelf panels (part D) to side panels (part C) using long bolts (part #4) and allen wrench (part #5).

Note: Please fully tighten all bolts at this time.



Step 3. Carefully lay marble top (part A) upside down on a flat, soft surface, such as carpet. Attach assembled unit (parts B, C & D) to marble top (part A) using bolts (part #2) and allen wrench (part #5).

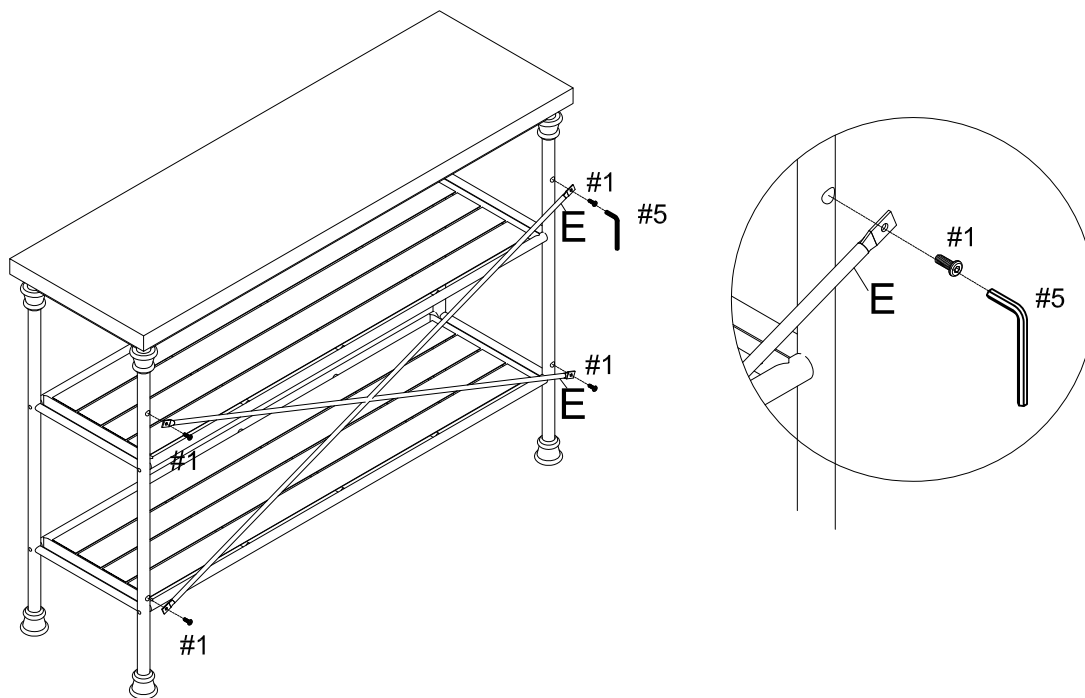
Note: Please fully tighten all bolts at this time.



- #2  x 6
- #5  x 1

Step 4. Carefully turn unit upright. Attach X rails (part E) to back of unit using short bolts (part #1) and allen wrench (part #5).

Note: Please fully tighten all bolts at this time.



- #1  x 4
- #5  x 1