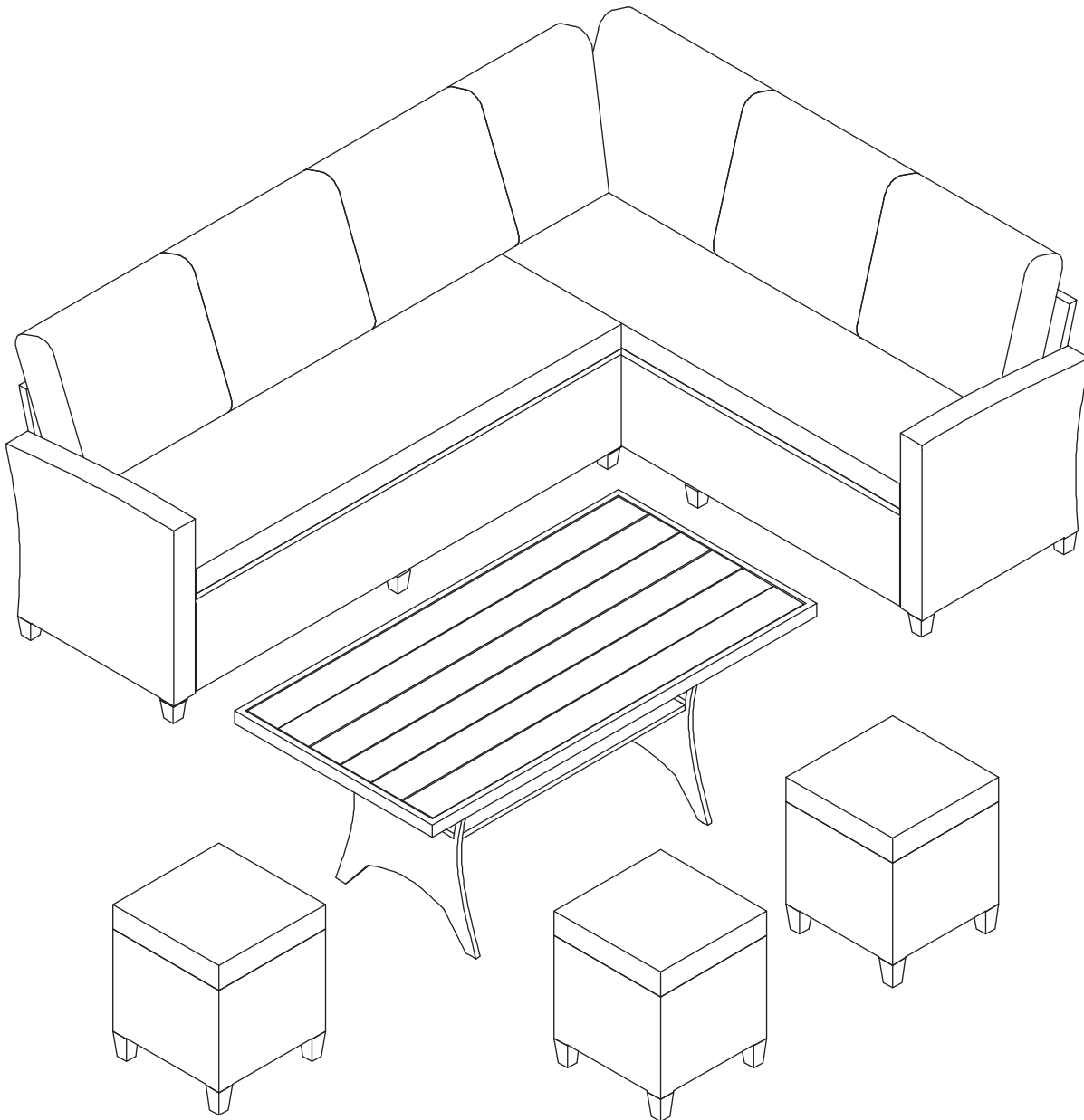


# Instruction Manual

## 185cm x 170cm Corner Dining Set, Natural Brown Rattan with Polywood Top



# CONTENTS

---

Safety and care advice	<b>1</b>
Components	<b>2</b>
Assembly instructions	<b>5</b>
Copyright	<b>16</b>

---

# ⚠ SAFETY AND CARE ADVICE ⚠

---

## PLEASE READ THESE INSTRUCTIONS CAREFULLY AND KEEP FOR FUTURE REFERENCE

- **Warning:** Please lift with care.
- Check you have all the components and tools listed on pages 2 and 3.
- Remove all fittings from the plastic bags and separate them into their groups.
- Keep children and animals away from the work area, small parts could choke if swallowed.
- Make sure you have enough space to lay out the parts before starting.
- Do not stand or put weight on the product, this could cause damage.
- Assemble the item as close to its final position (in the same room) as possible.

- Assemble on a soft level surface to avoid damaging the unit or your floor (use opened out unit carton).



- We do not recommend the use of power drill/drivers **for inserting screws**, as this could damage the unit. Only use hand screwdrivers.
- Dispose of all packaging carefully and responsibly.

## CARE AND MAINTENANCE

---

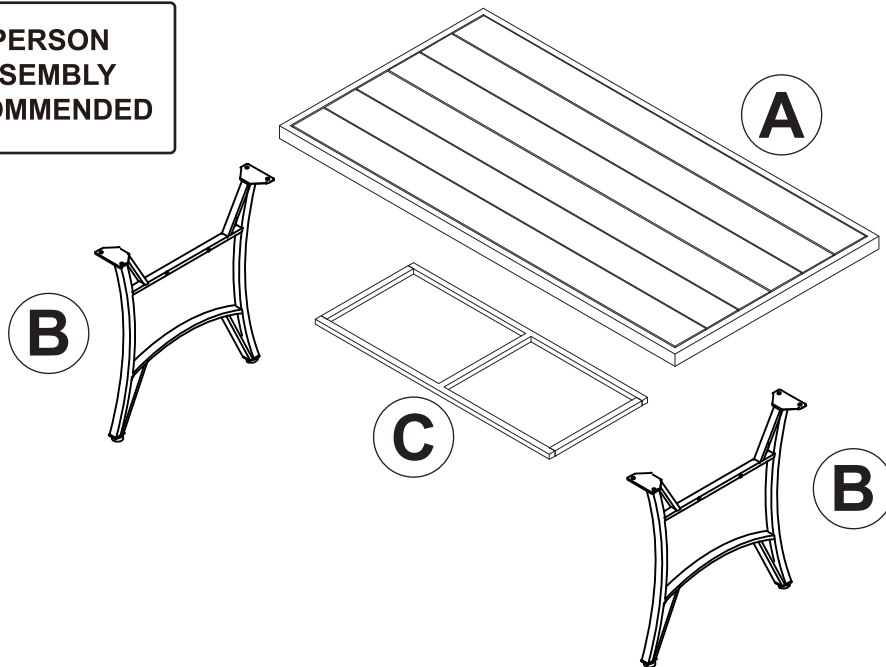
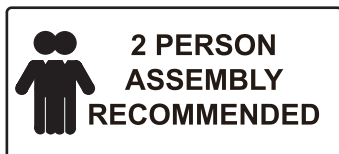
- Only clean using a damp cloth and mild detergent, do not use bleach or abrasive cleaners.
- From time to time check that there are no loose screws on this unit.

- This product should not be discarded with household waste. Take to your local authority waste disposal center.

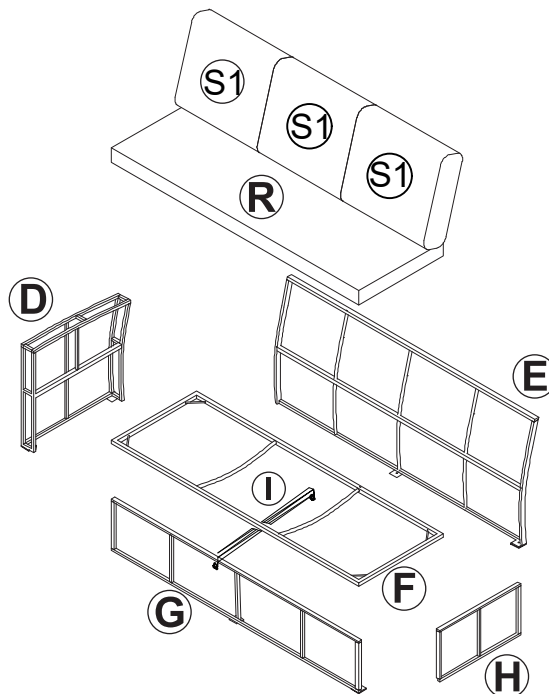
**Note** *If required the next page can be cut out and used as reference throughout the assembly. Keep this page with these instructions for future reference.*

# COMPONENTS

Please check you have all the panels listed below:



<b>A</b> Table top	x1	<b>C</b> Table support	x1
<b>B</b> Table leg	x2		

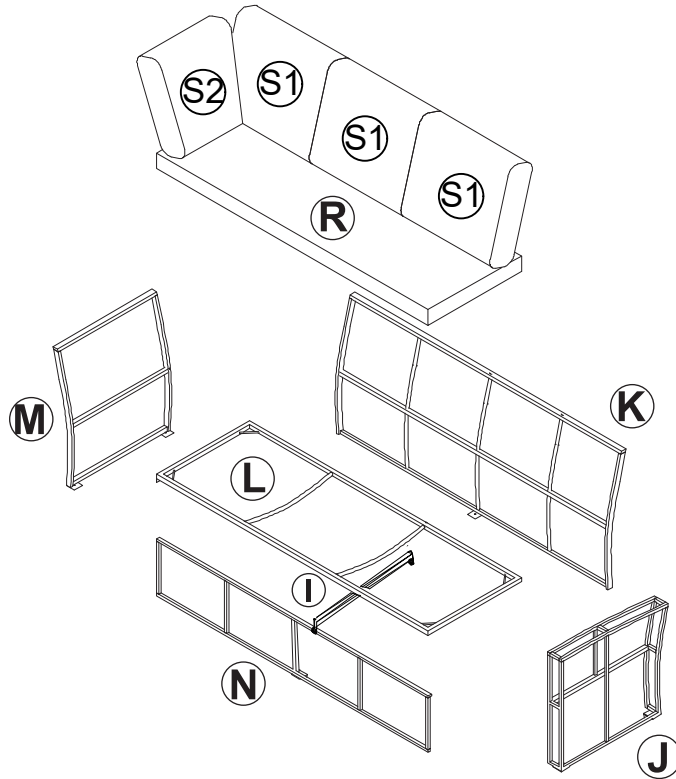
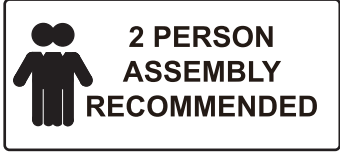


<b>D</b> Right arm panel	x1	<b>H</b> Bench side panel	x1
<b>E</b> Bench back panel	x1	<b>R</b> Seat cushion	x1
<b>F</b> Bench seat panel	x1	<b>S1</b> Back cushion	x3
<b>G</b> Bench base panel	x1	<b>I</b> Bench support	x1

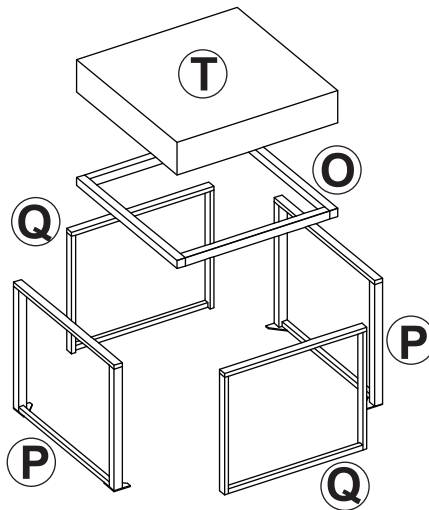


# COMPONENTS

Please check you have all the panels listed below:



<b>J</b> Left arm panel	x1	<b>N</b> Corner base panel	x1
<b>K</b> Corner back panel	x1	<b>R</b> Seat cushion	x1
<b>L</b> Corner seat panel	x1	<b>S1+S2</b> Back cushion	x4
<b>M</b> Small back panel	x1	<b>I</b> Bench support	x1



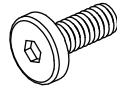
<b>O</b> Stool top	x3	<b>Q</b> Stool leg	x6
<b>P</b> Stool leg	x6	<b>T</b> Stool cushion	x3



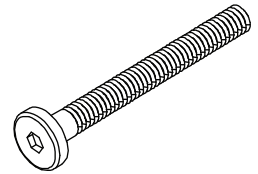
# COMPONENTS

Please check you have all the panels listed below:

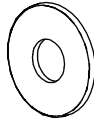
1 Bolt 6x15 x 12



5 Bolt 6x60 x24



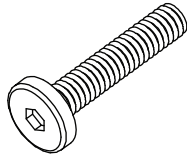
2 Washer x68  
M6x16x1.0



6 insert x24



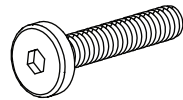
3 Bolt 6x35 x 50



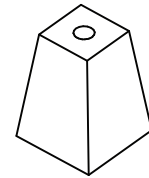
7 Allen key x2



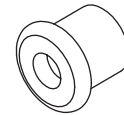
4 Bolt 6x40 x 22



8 Leg x24

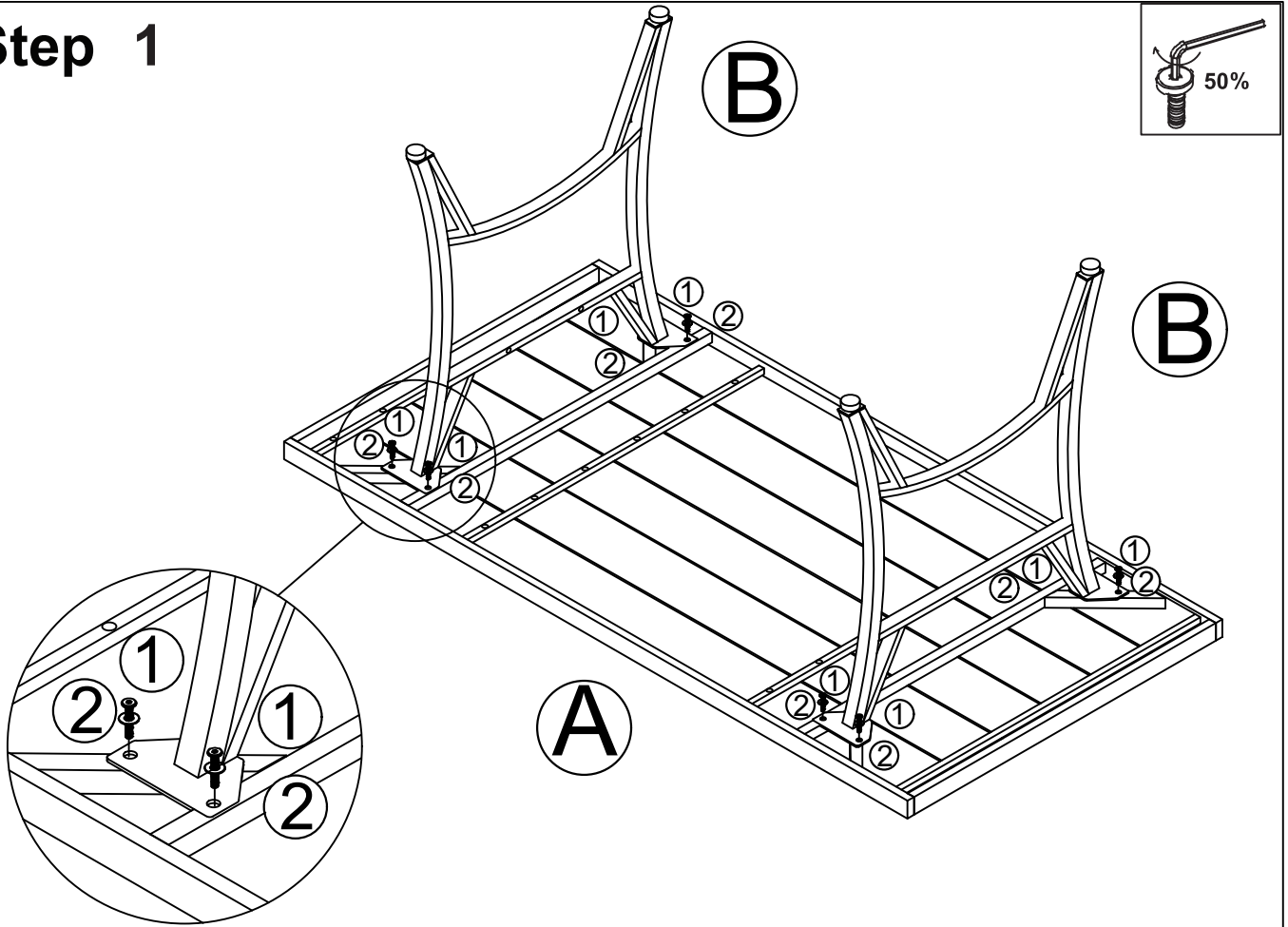


9 Leg insert x24

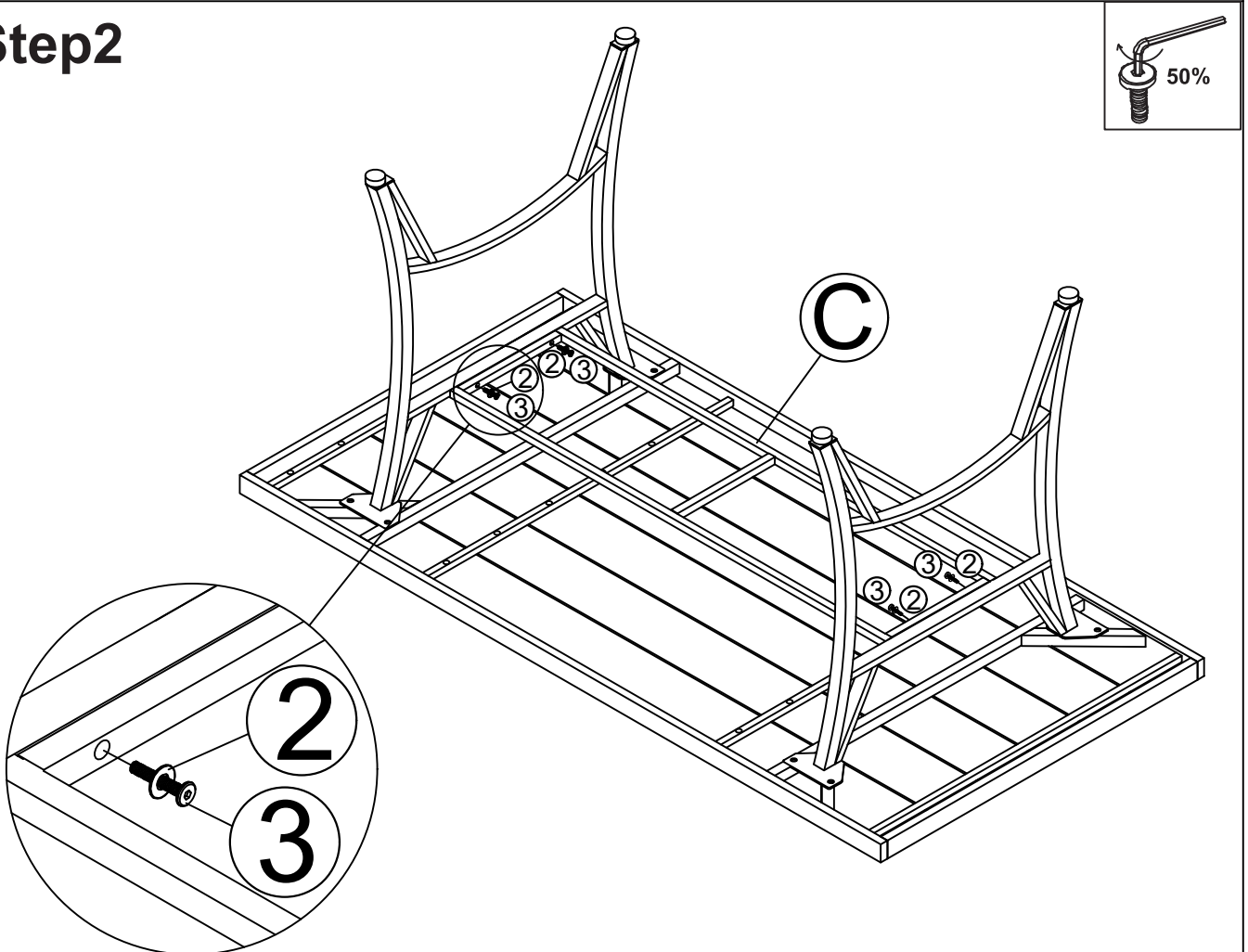


# ASSEMBLY INSTRUCTIONS

## Step 1

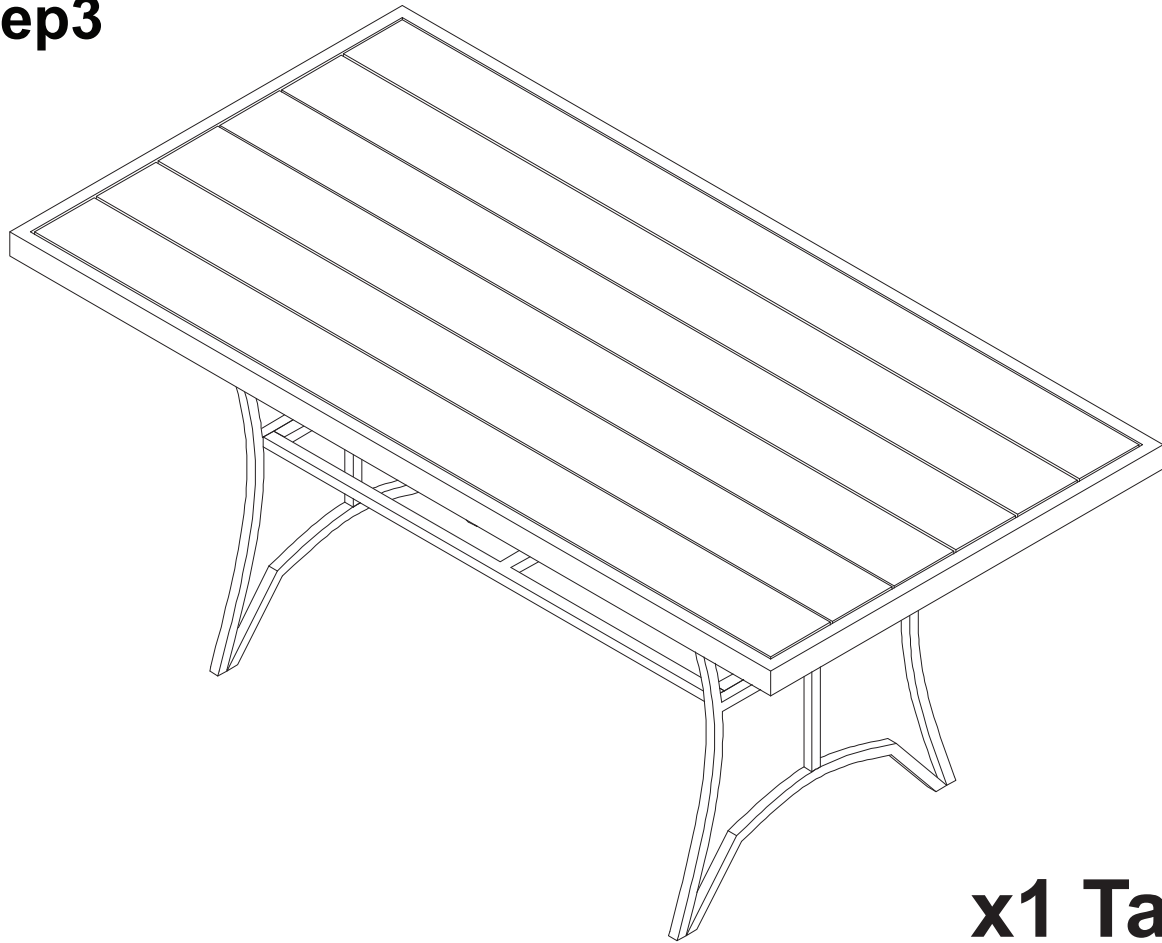


## Step 2



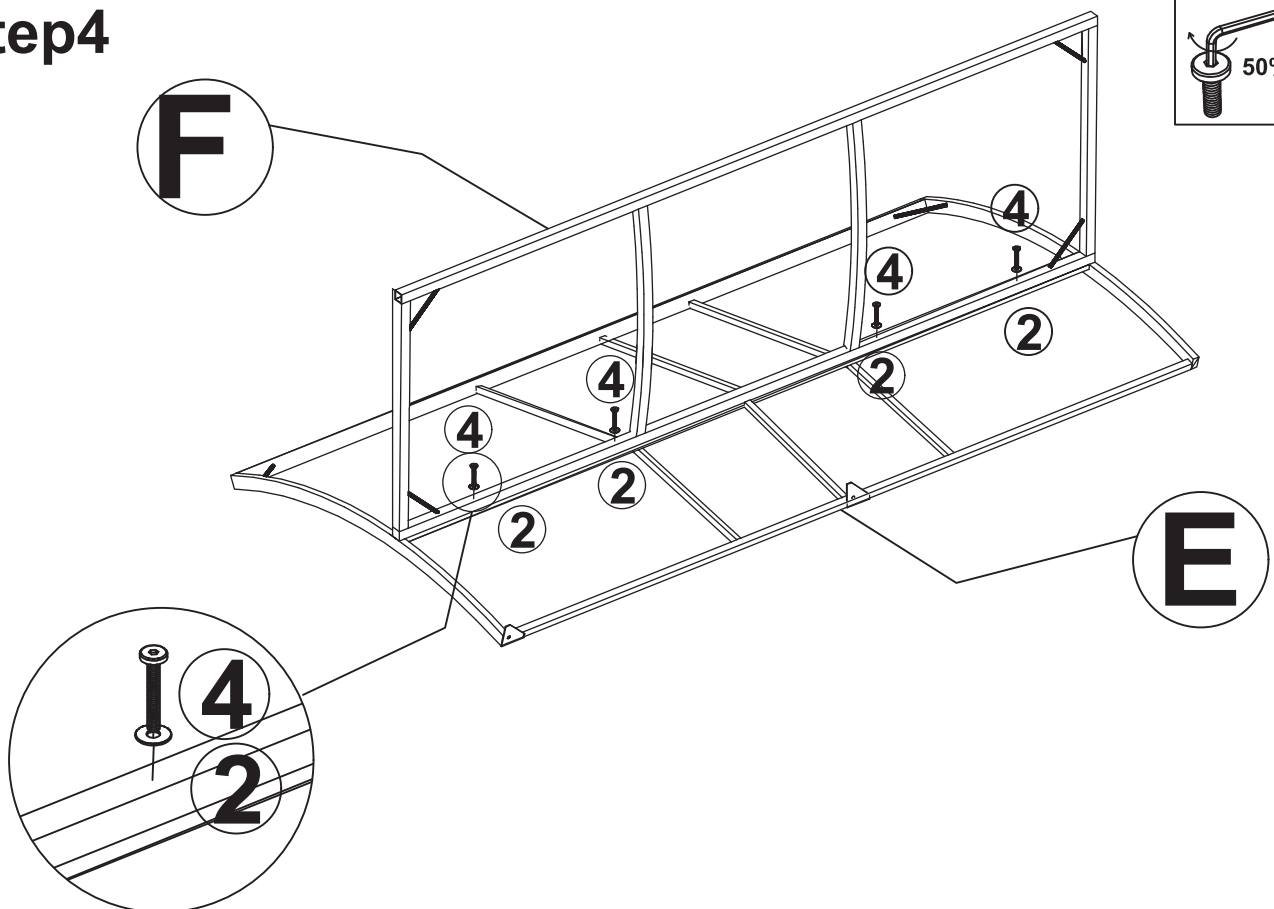
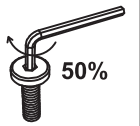
# ASSEMBLY INSTRUCTIONS

## Step3



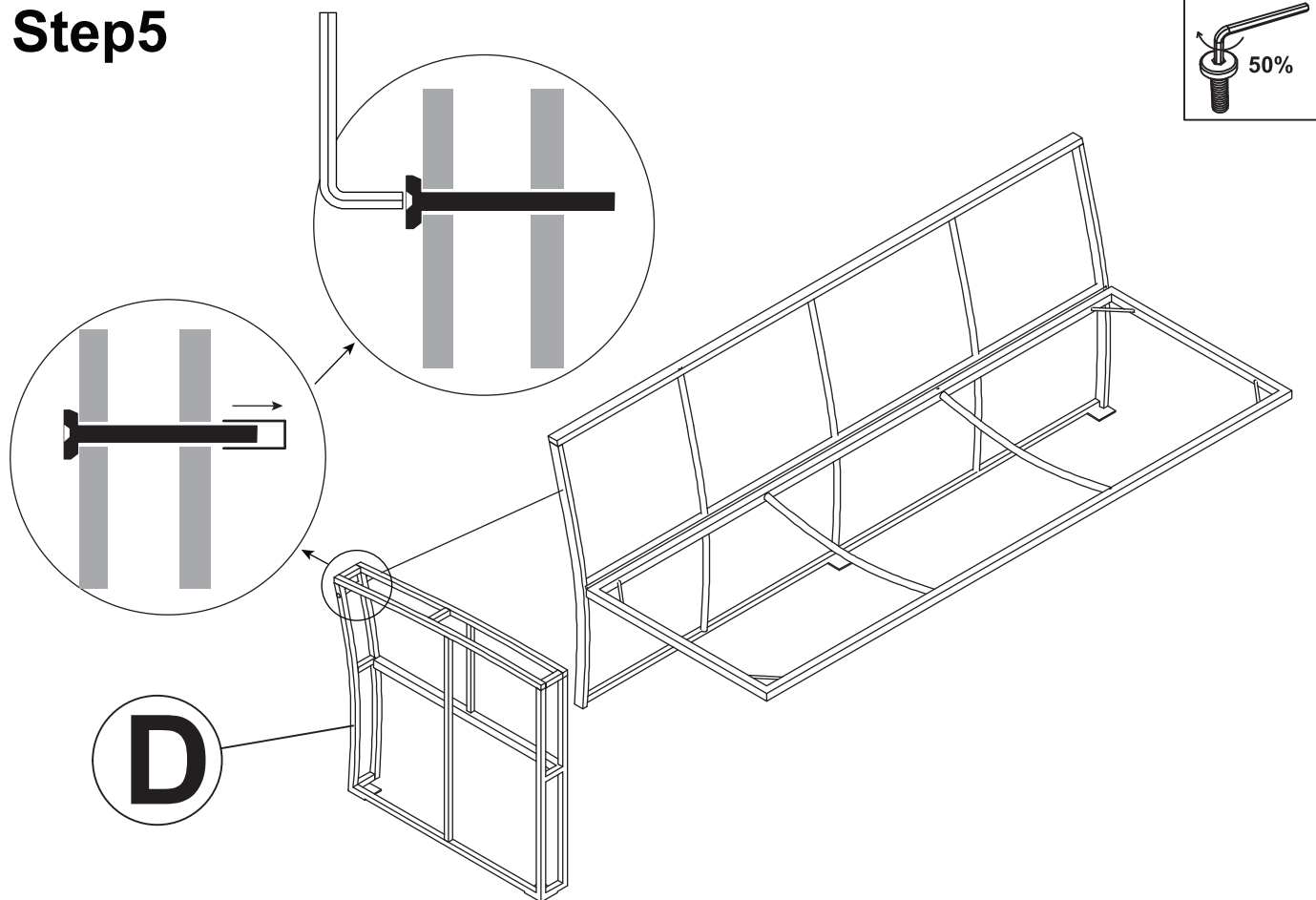
x1 Table

## Step4

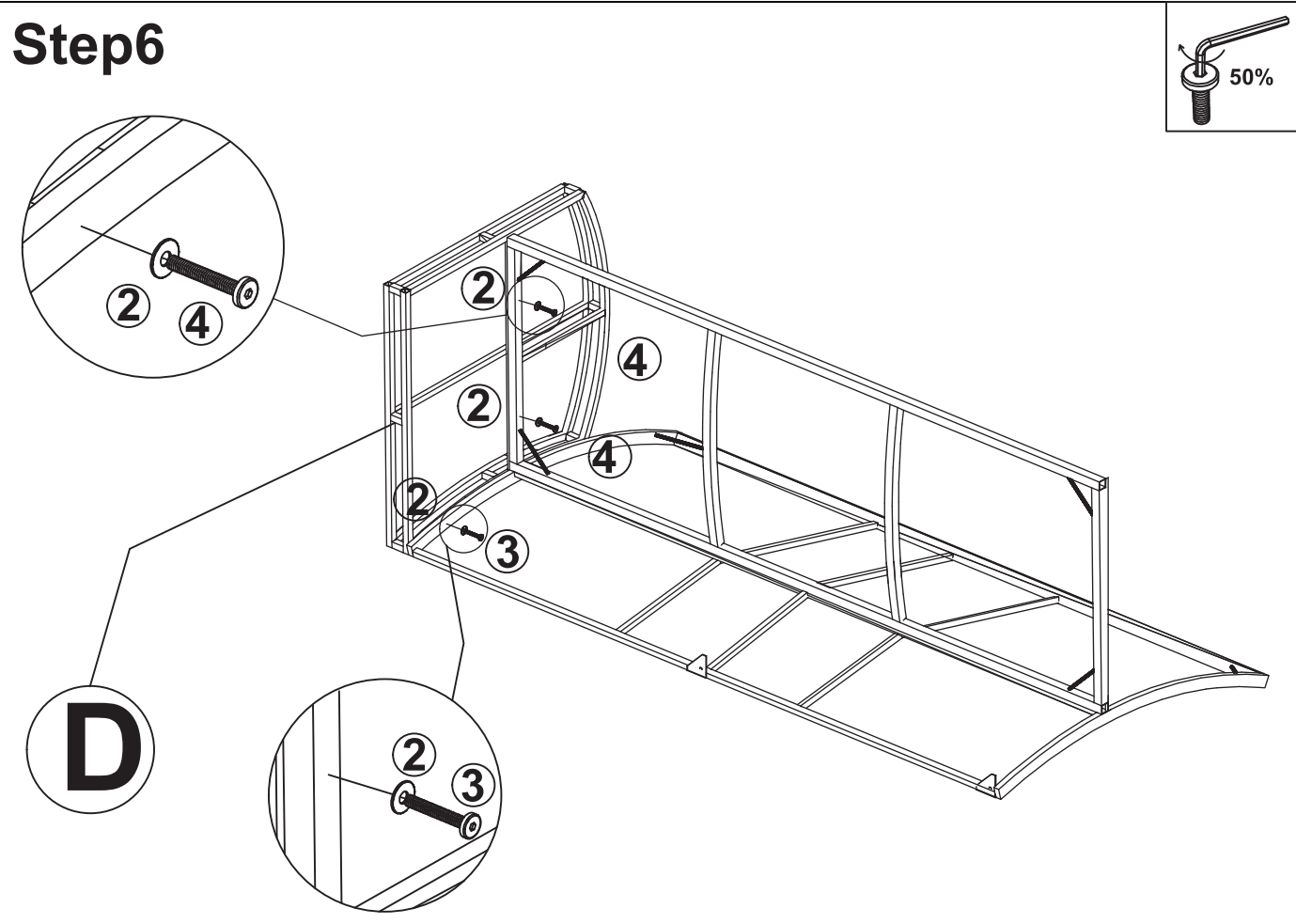


# ASSEMBLY INSTRUCTIONS

## Step 5

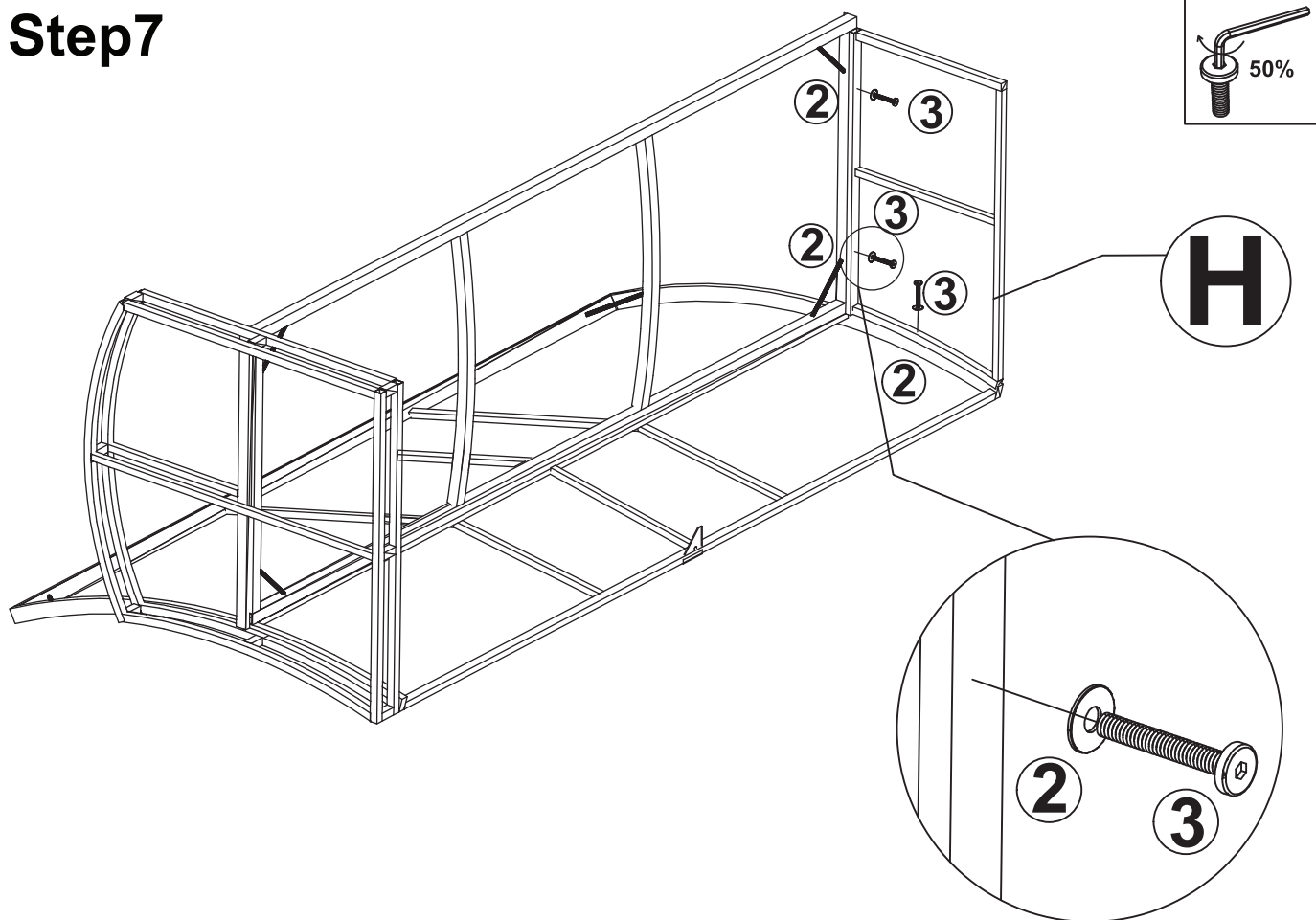


## Step 6

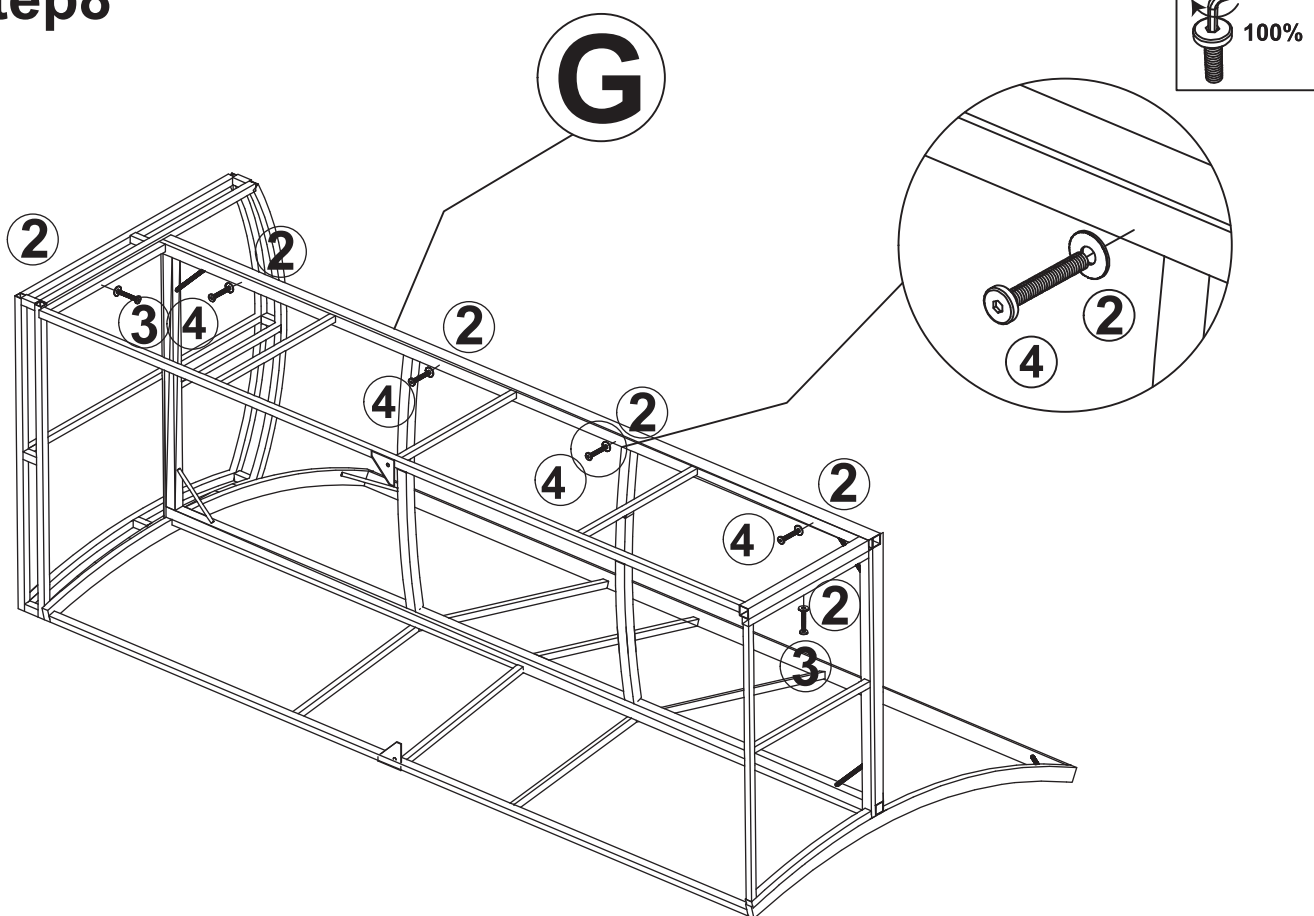


# ASSEMBLY INSTRUCTIONS

## Step 7



## Step 8

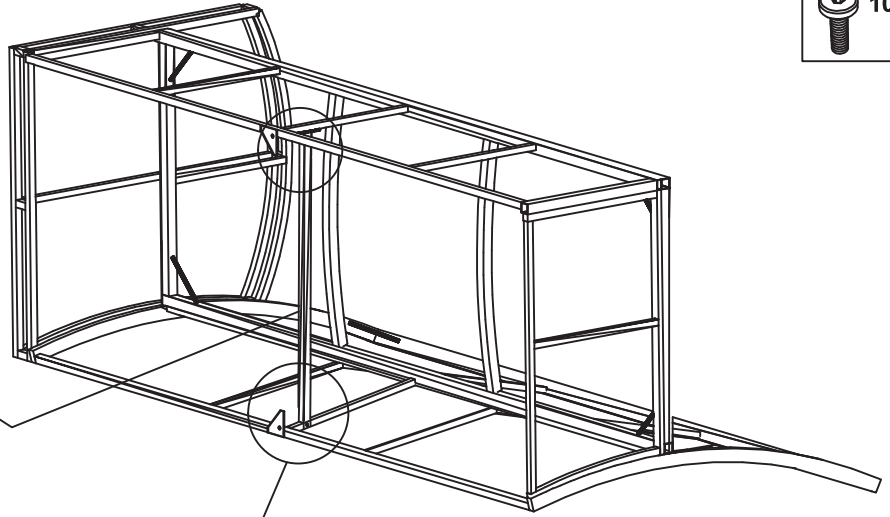
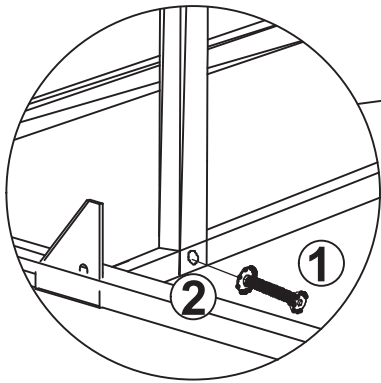


# ASSEMBLY INSTRUCTIONS

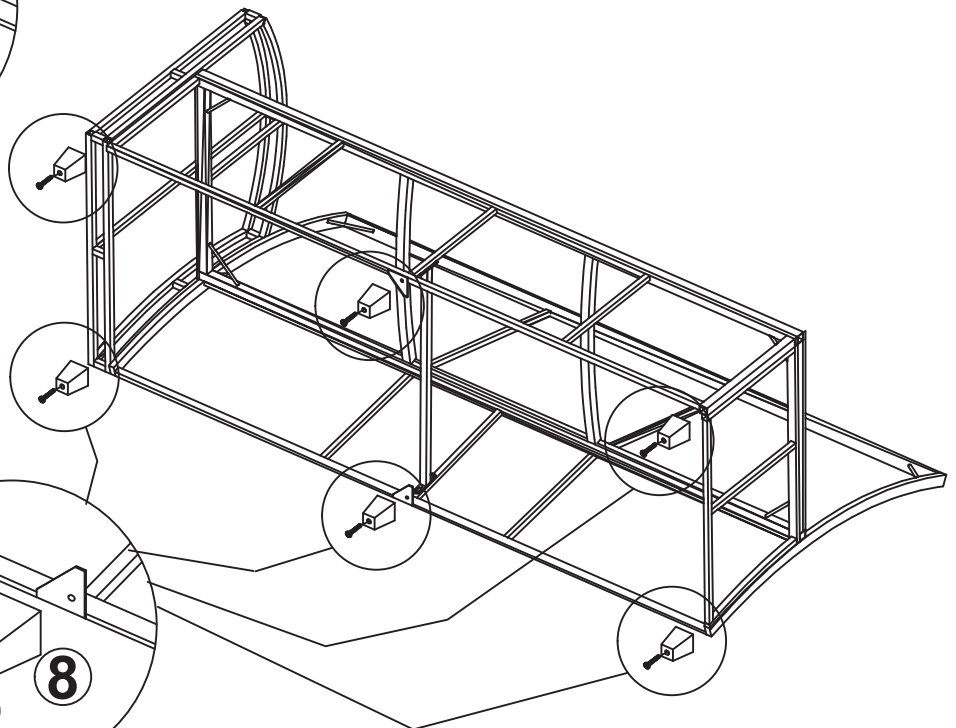
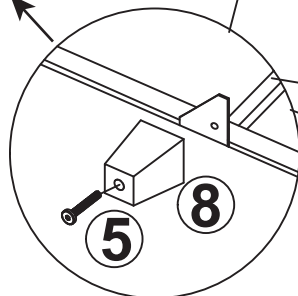
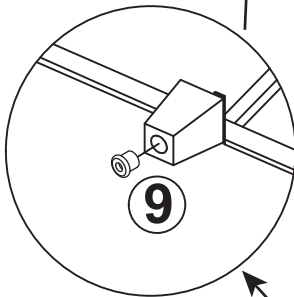
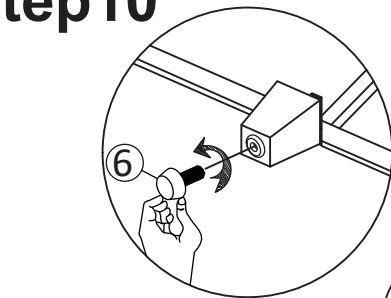
## Step 9



**I**

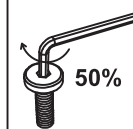
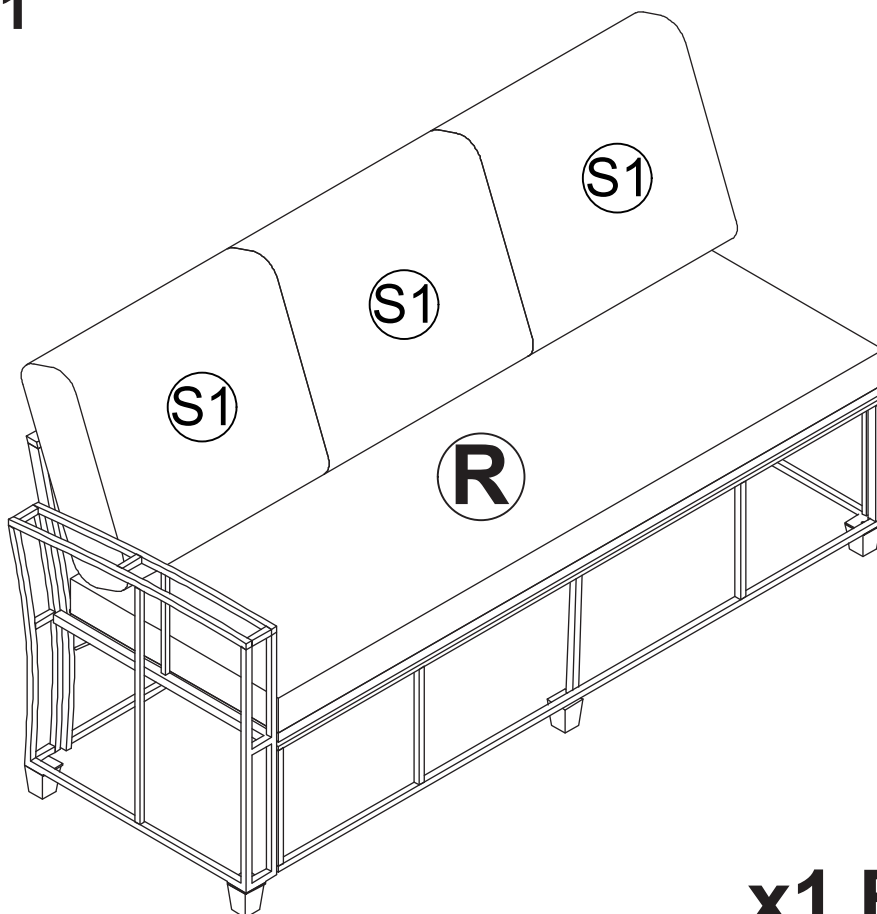


## Step 10



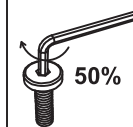
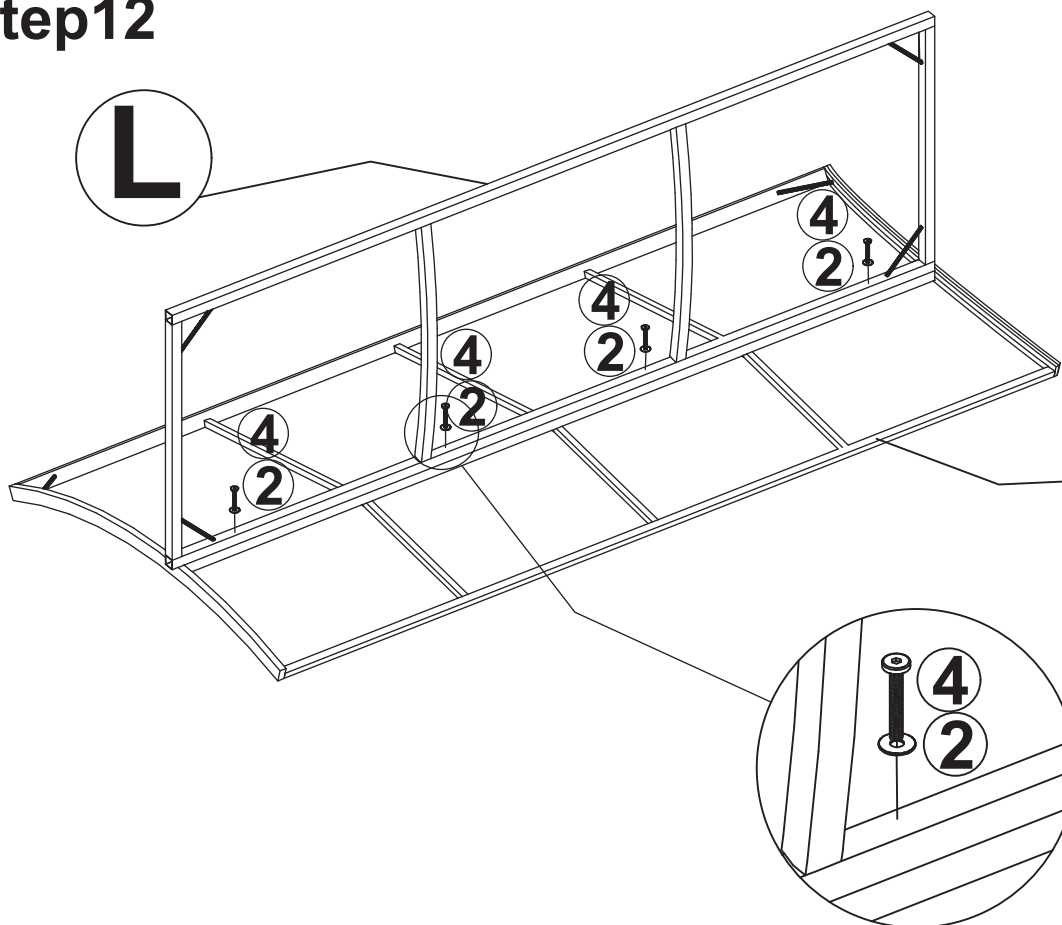
# ASSEMBLY INSTRUCTIONS

## Step11



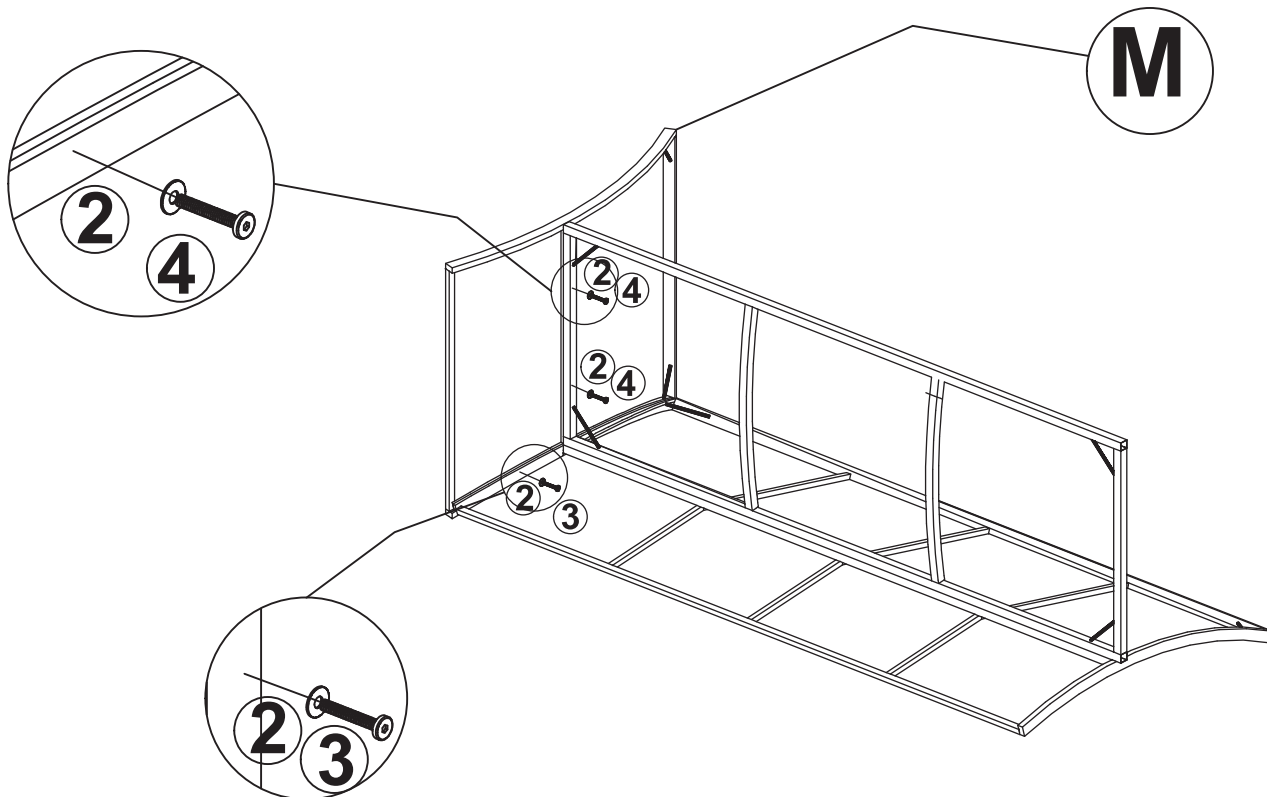
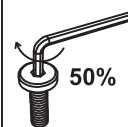
**x1 Bench**

## Step12

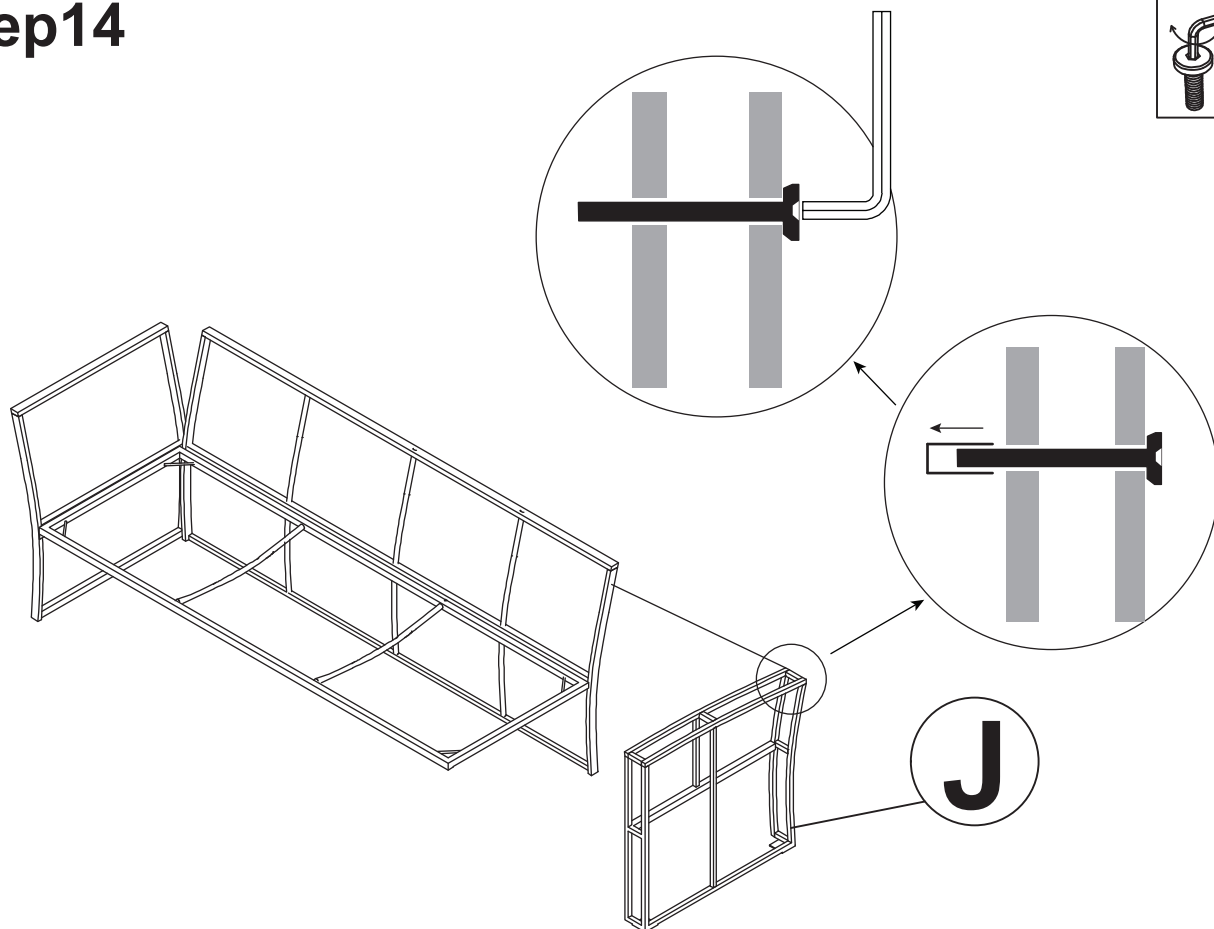
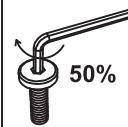


# ASSEMBLY INSTRUCTIONS

## Step13

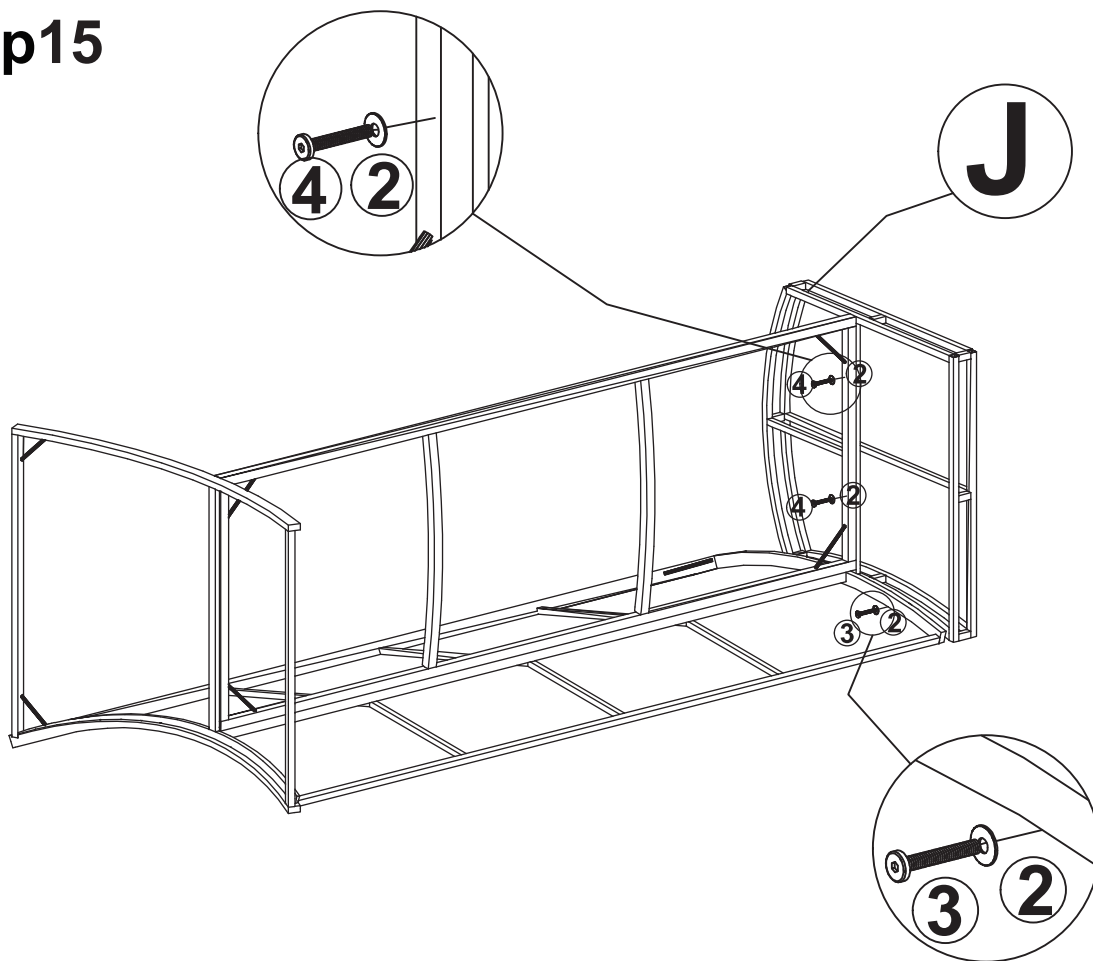


## Step14

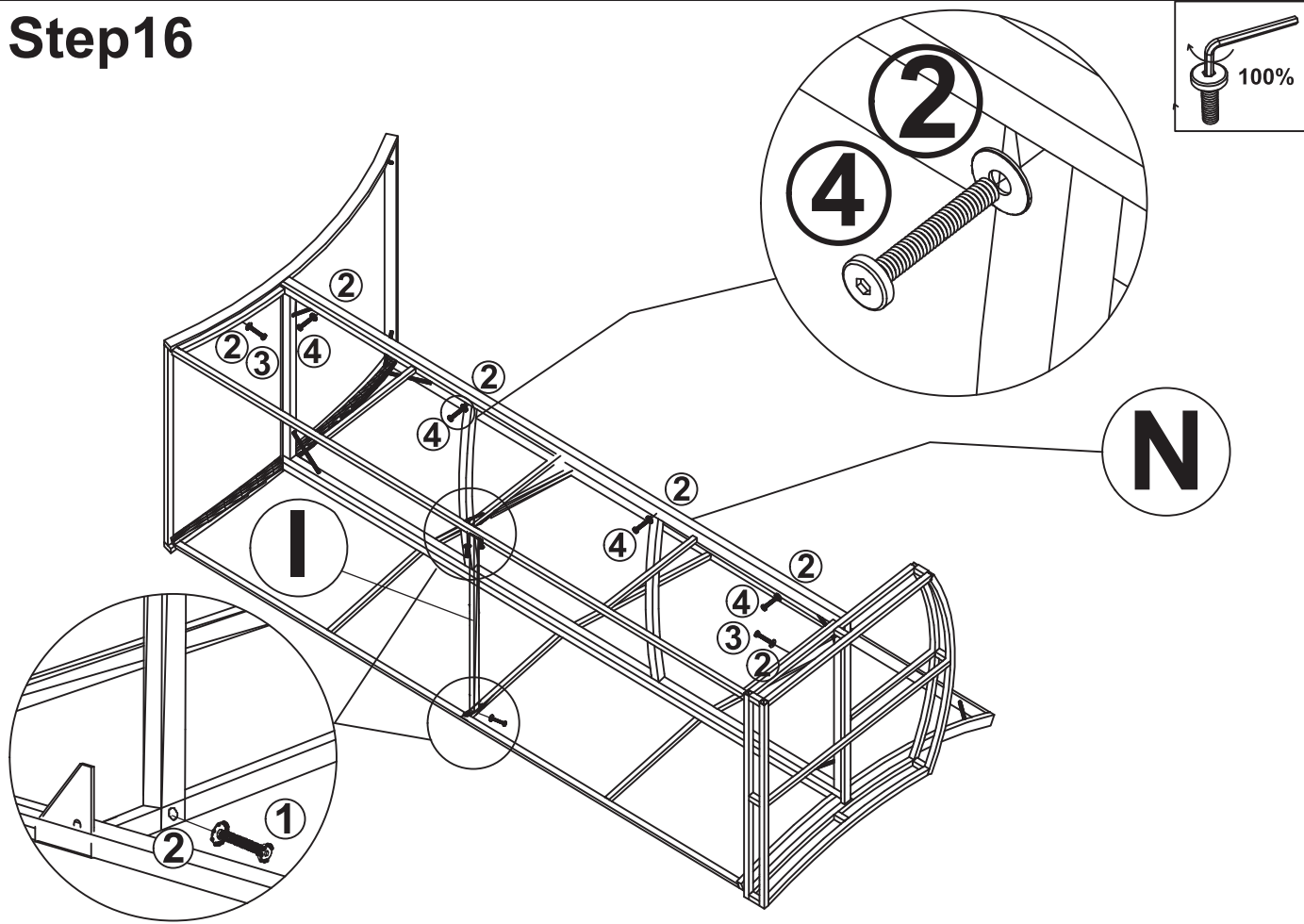


# ASSEMBLY INSTRUCTIONS

## Step 15

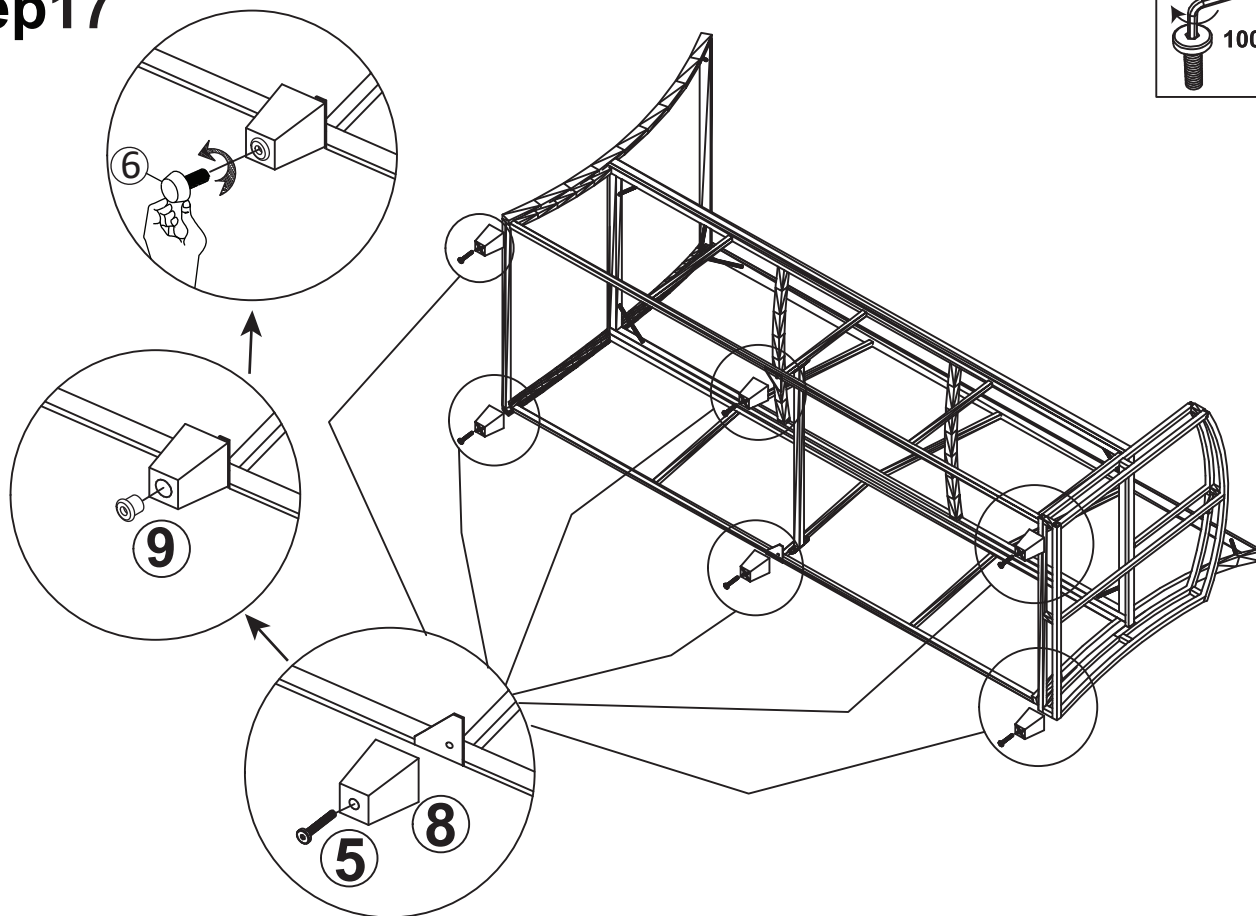


## Step 16

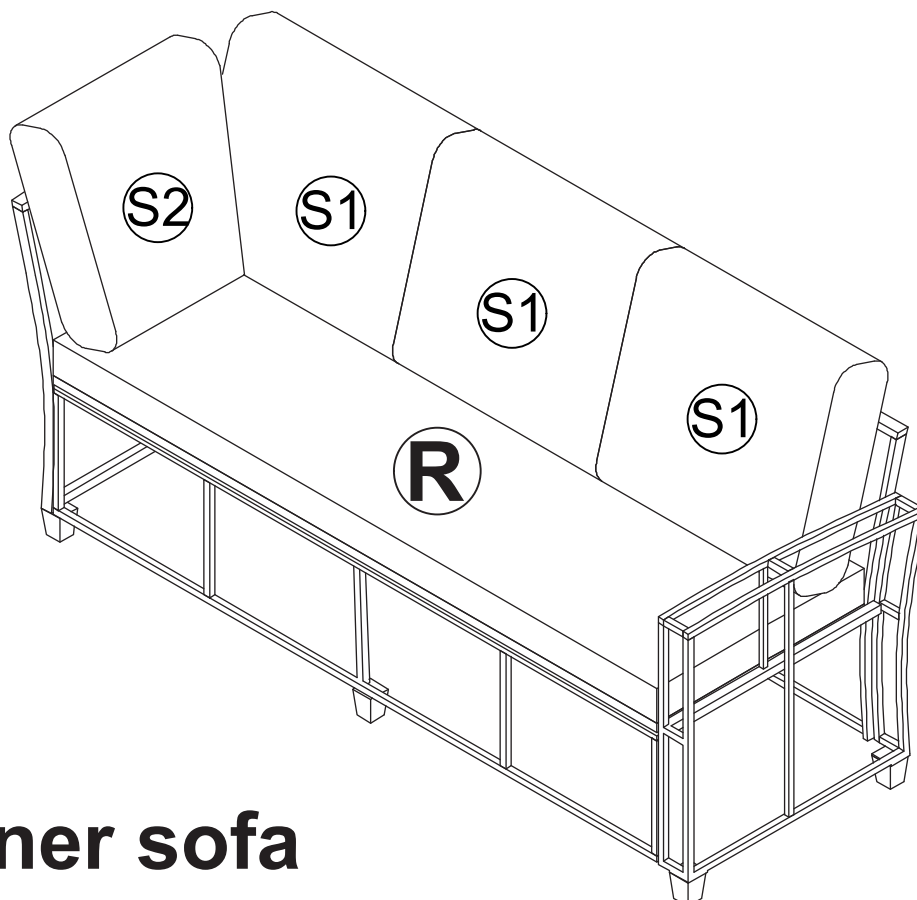


# ASSEMBLY INSTRUCTIONS

## Step 17



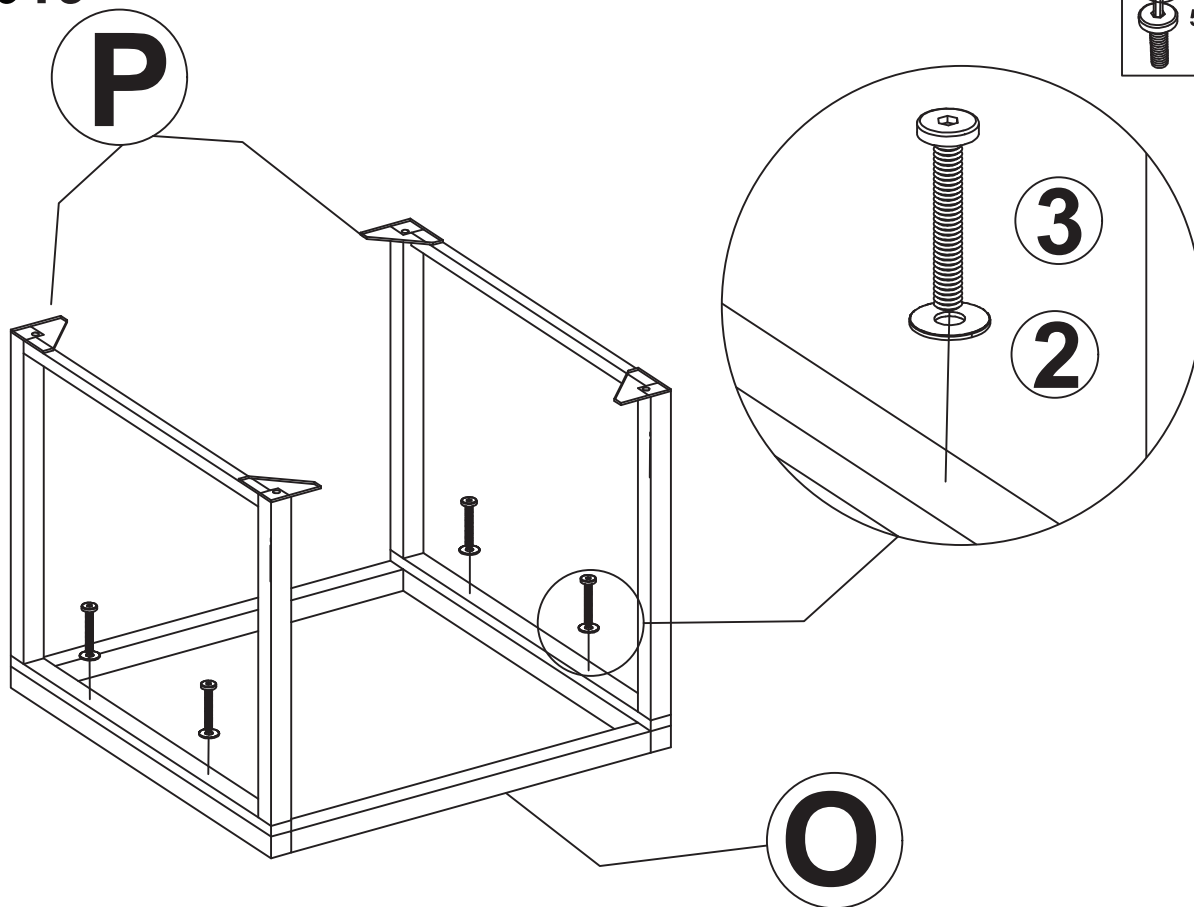
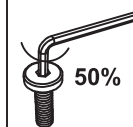
## Step 18



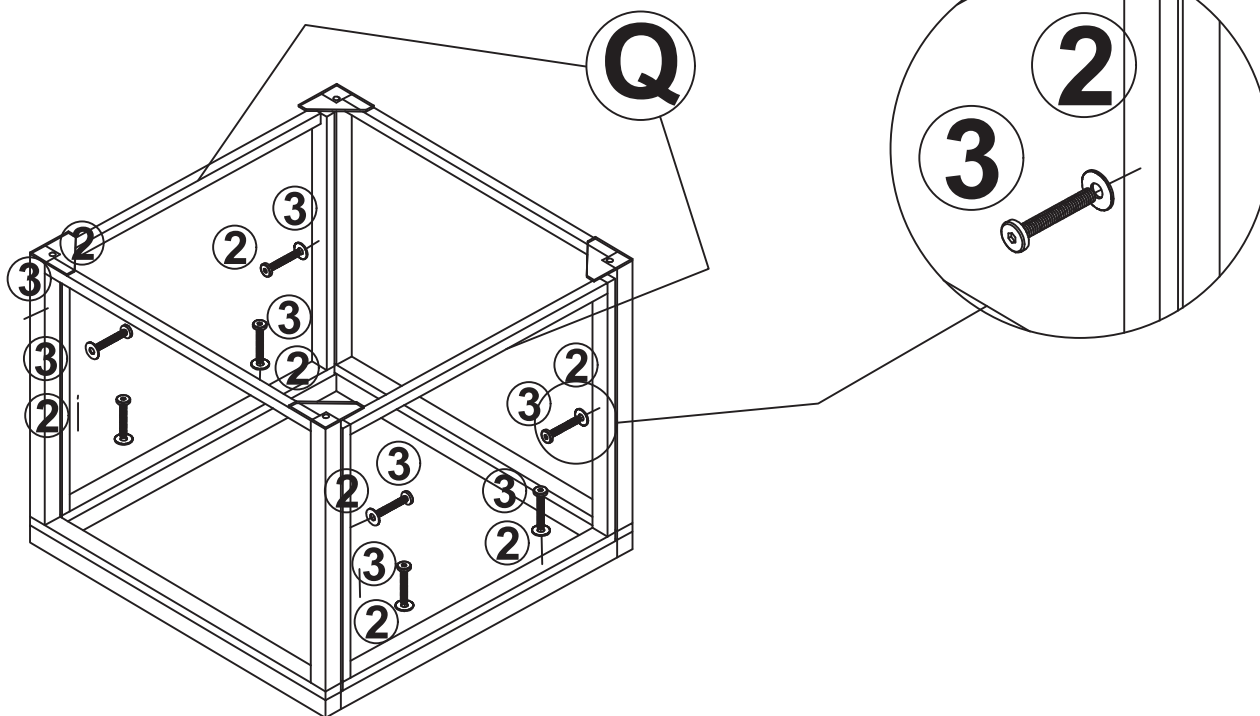
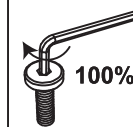
**x1 Corner sofa**

# ASSEMBLY INSTRUCTIONS

## Step 19

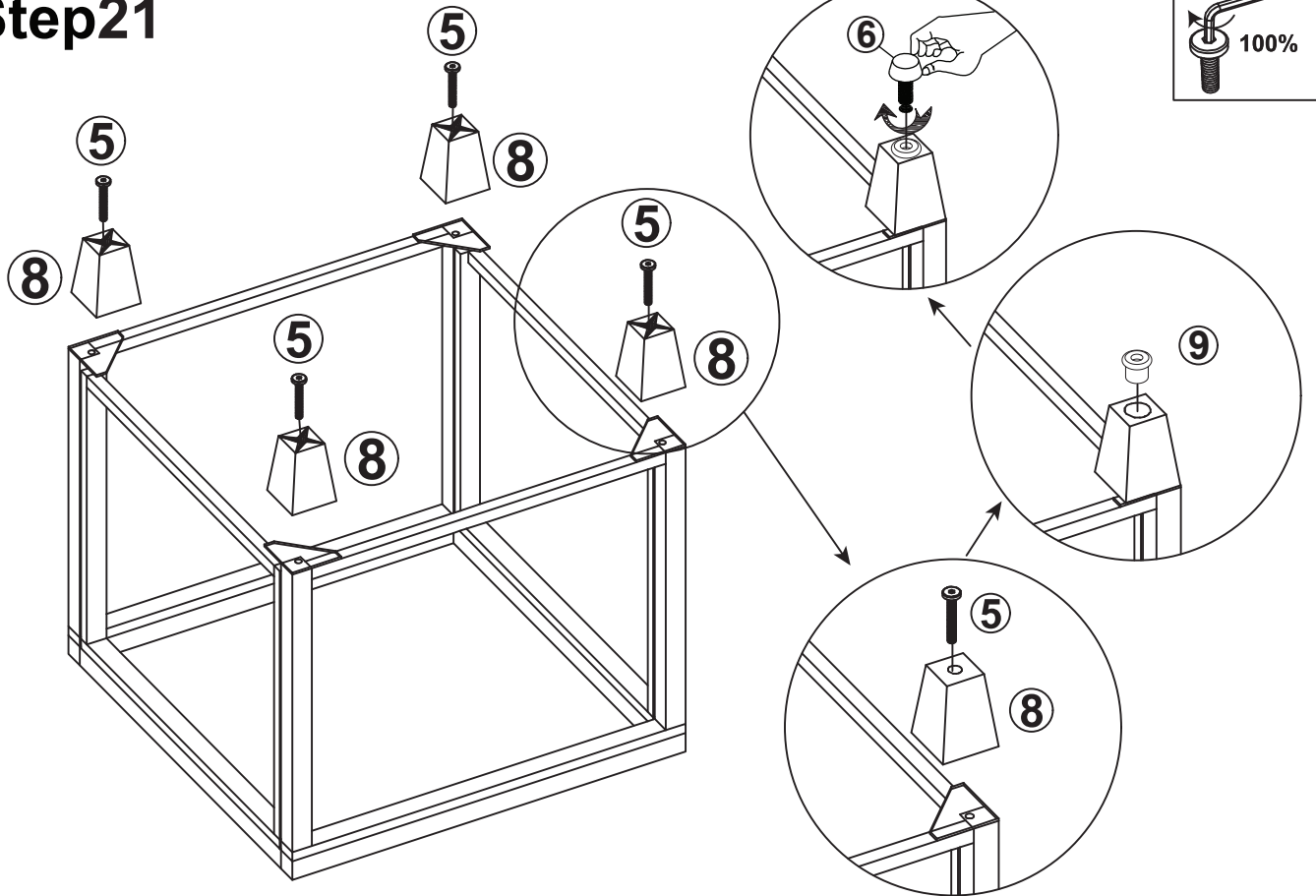


## Step 20

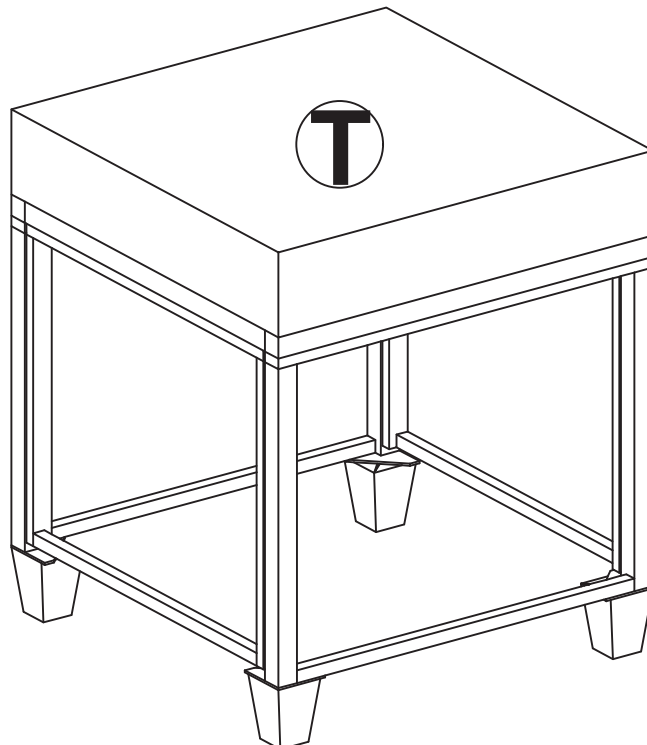


# ASSEMBLY INSTRUCTIONS

## Step21



## Step22



**x3 Stool**

# IF YOU FIND A DEFECTIVE PART

---

We fully stock all parts and components. Any defective part can be quickly replaced. Take note of the defective part number in manual and we will arrange a quick replacement.

You can email our team