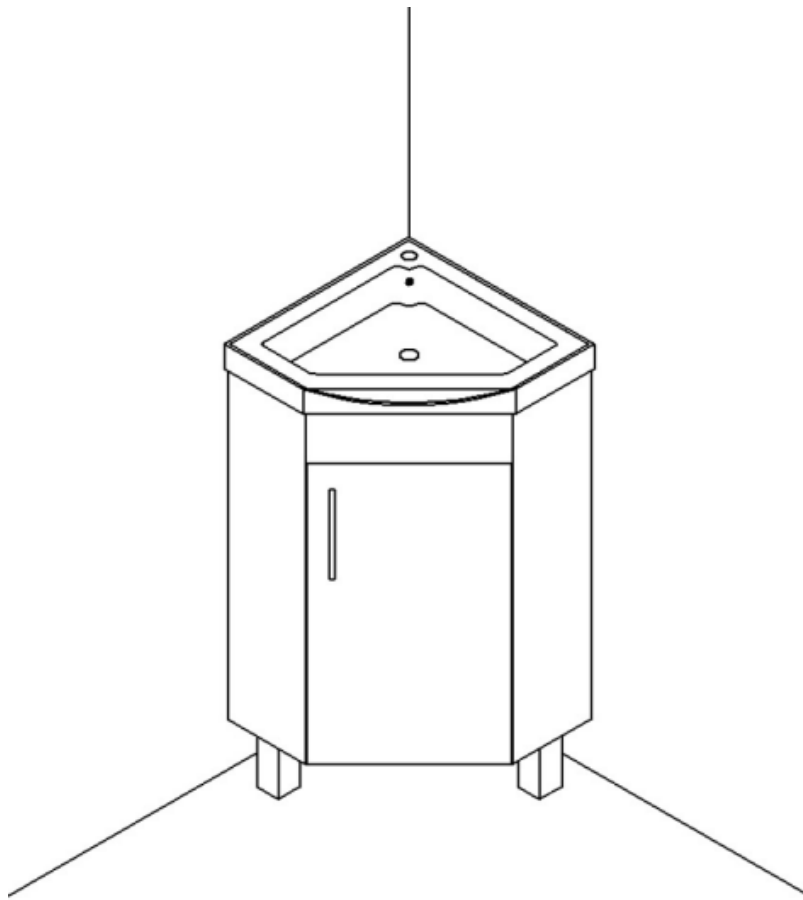
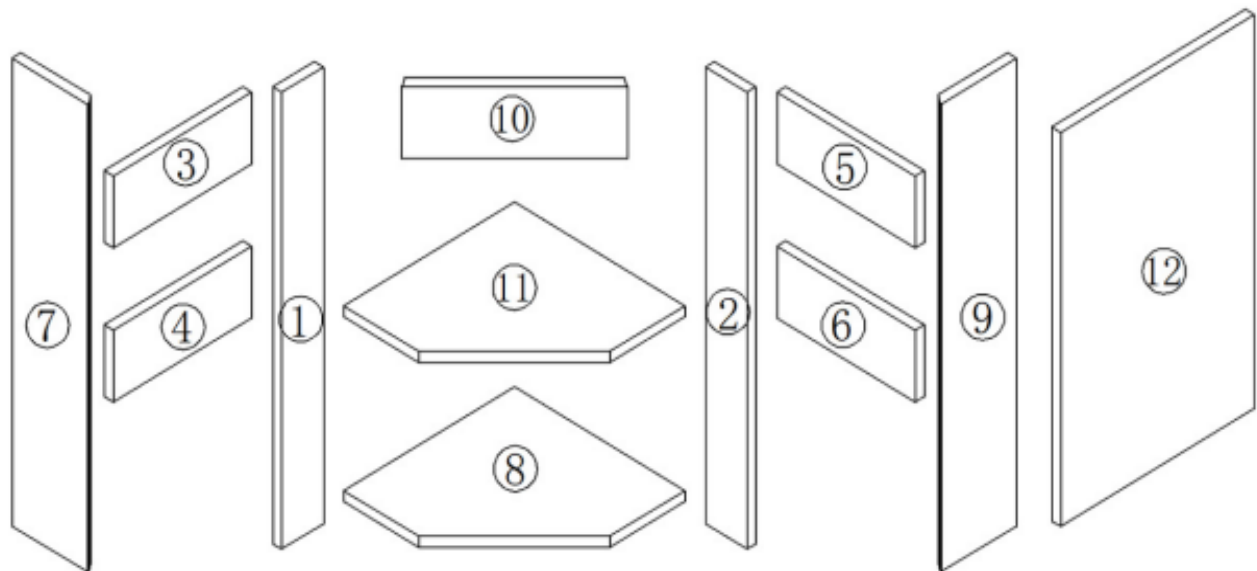


Assembly Instructions



If there is any problem with the item, please call us for more service instead of returning the item directly.


Assembly Unit:




Accessories List:



 **A x 25**

 **B x 4**

 **C x 33**
Ø14

 **D x 12**

 **E x 36**
3.5x14

 **F x 2**
4x16

 **G x 2**

 **H x 4**


 **I x 2**

Hardware-Corner

 **J x 2**
10#

 **K x 2**
6 x 60mm

 **L x 2**

 **M x 1**

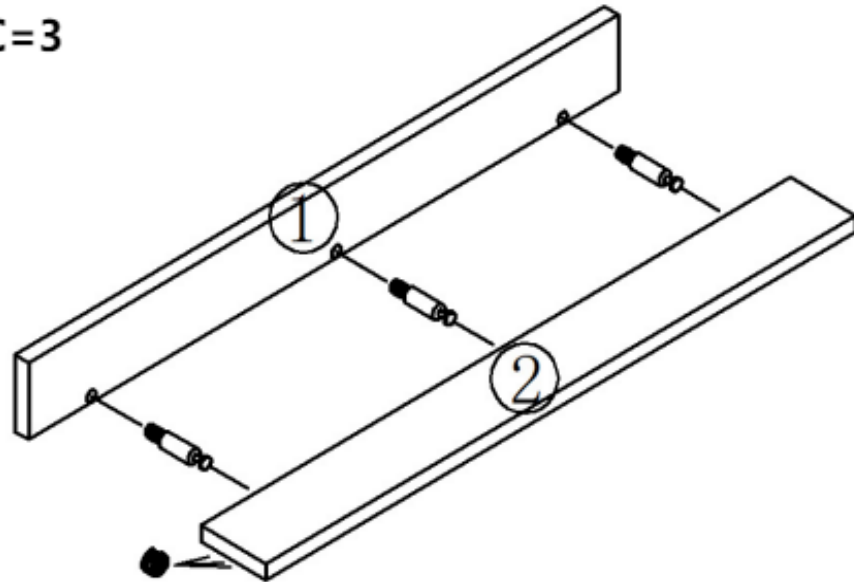
 **N x 1**
Bumper strip

Option:  x 1
Waterproof
screw cover stickers


STEP 1

 A=3

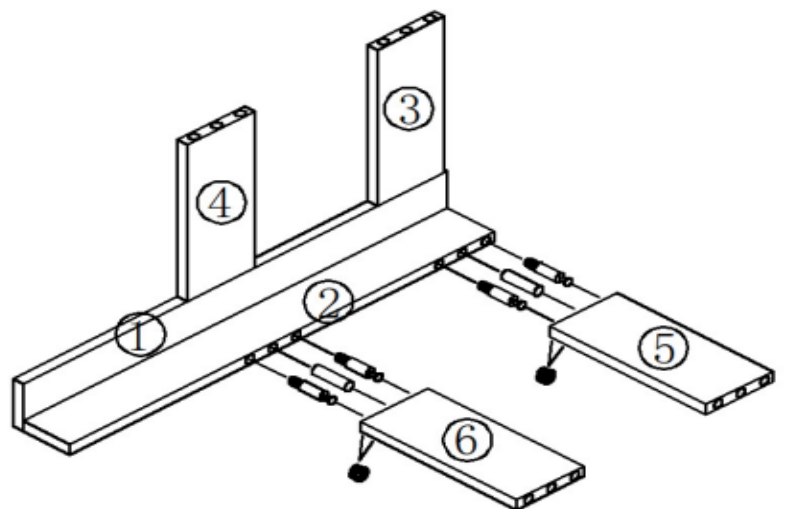
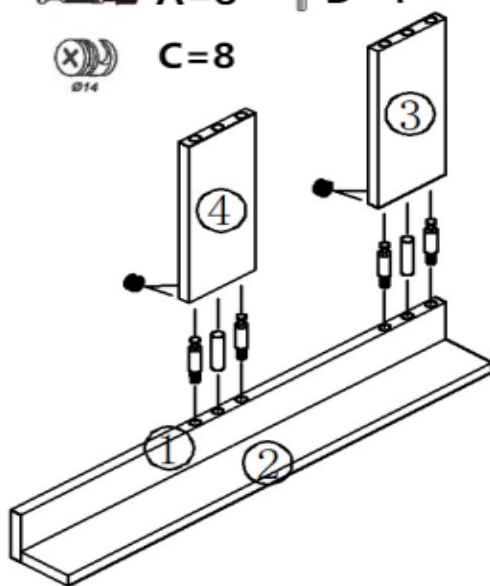
 C=3



STEP 2

 A=8 | D=4

 C=8

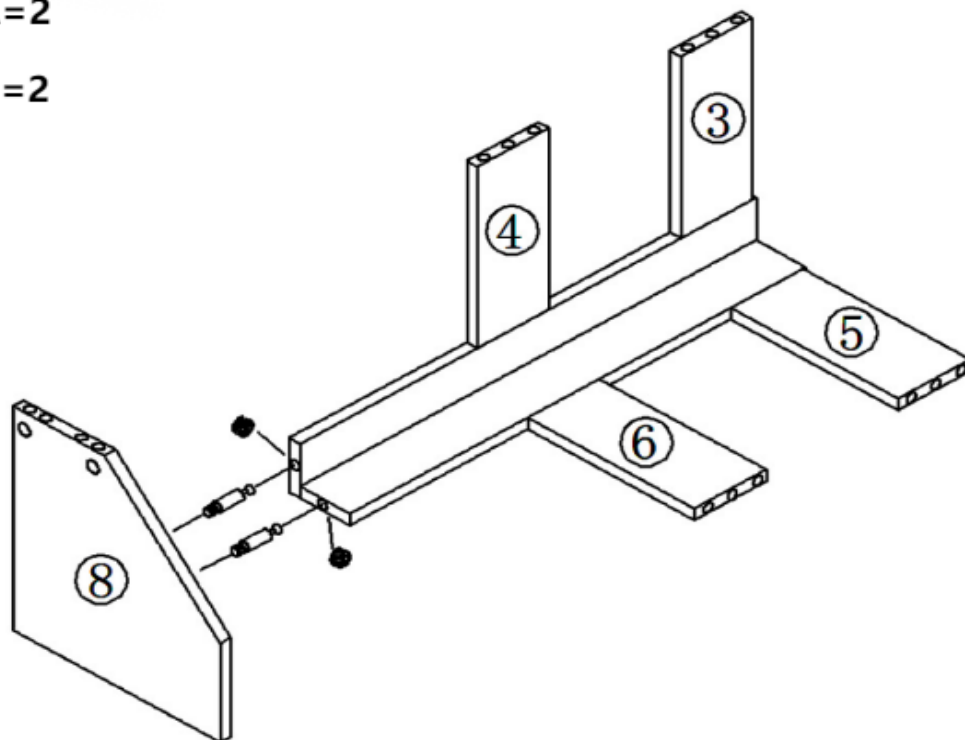


3

STEP 3


 A=2

 C=2

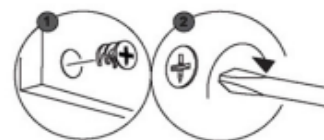
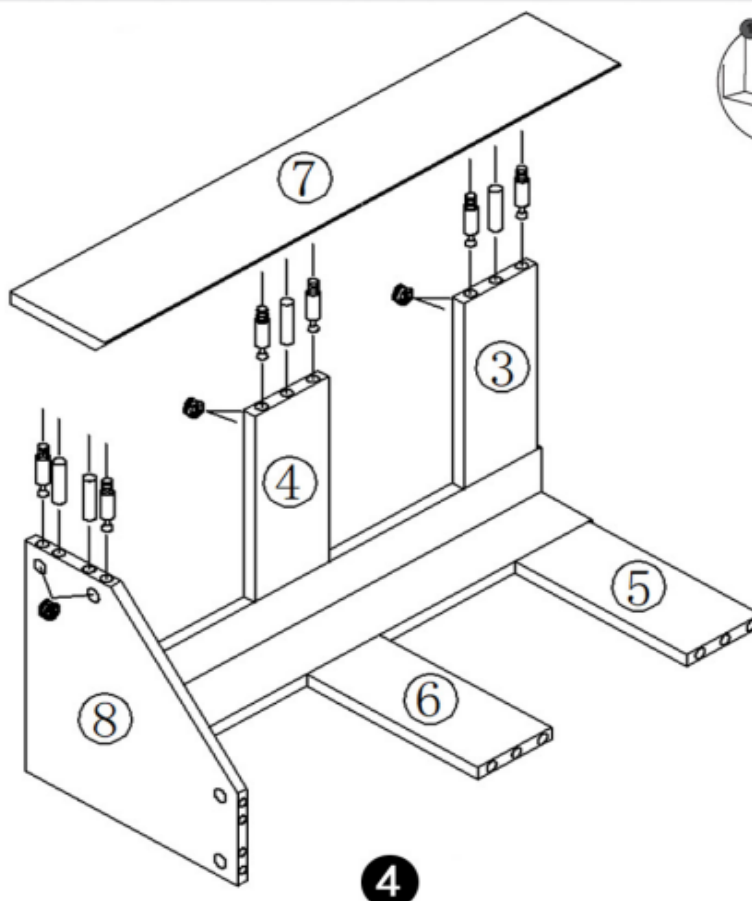


STEP 4

 A=6

 C=6

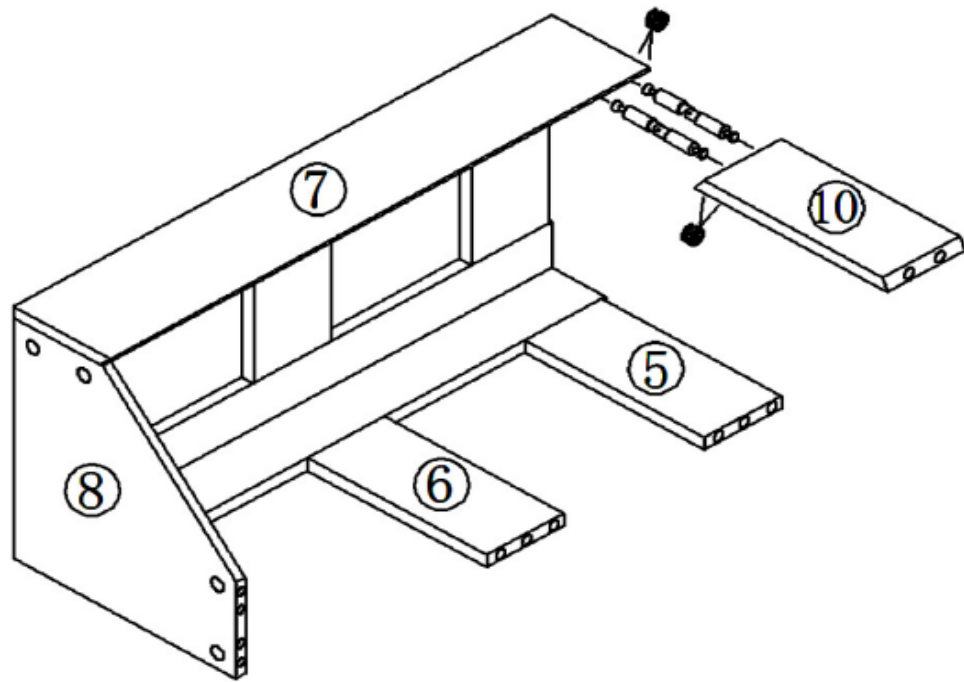
 D=4





STEP 5



 B=2

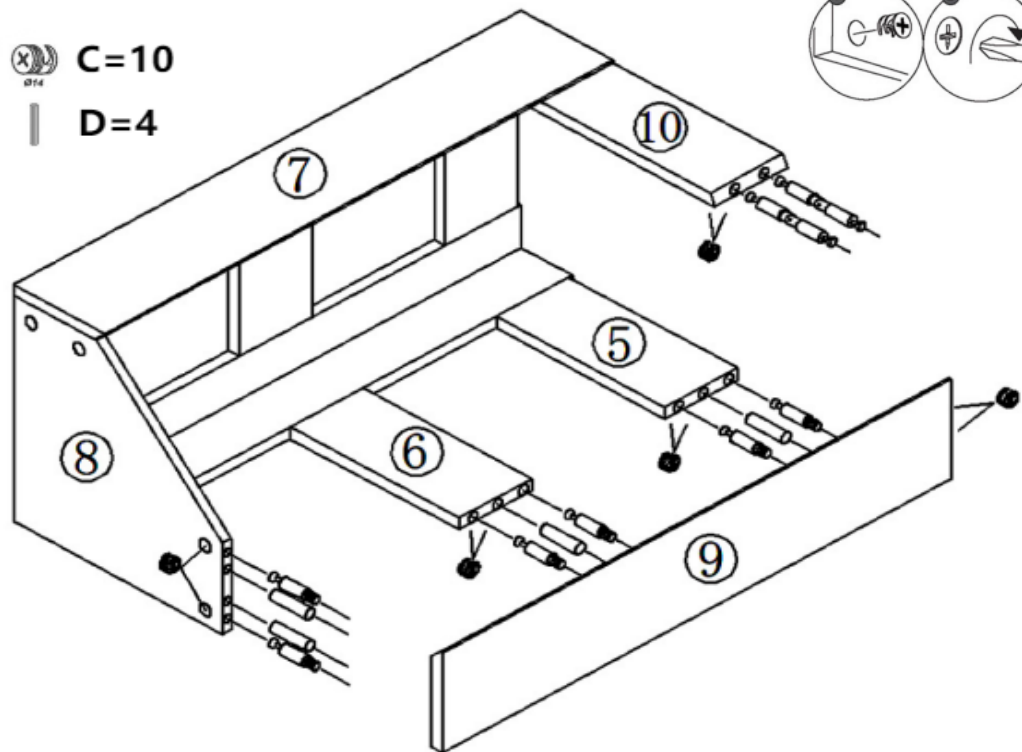
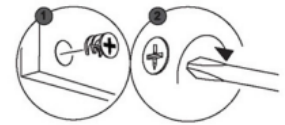
 C=4



STEP 6

 A=6  C=10

 B=2  D=4



5

STEP 7



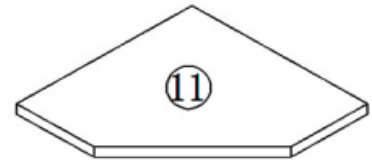
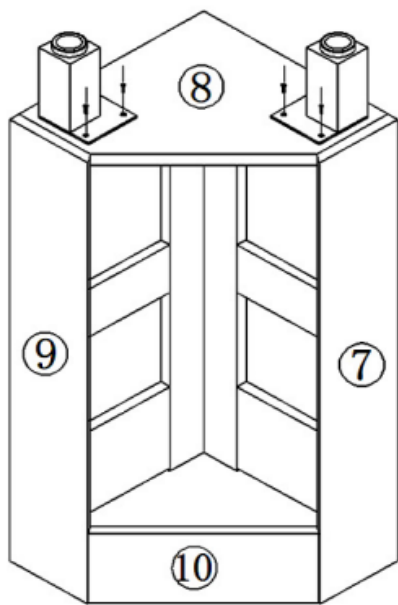
L=2



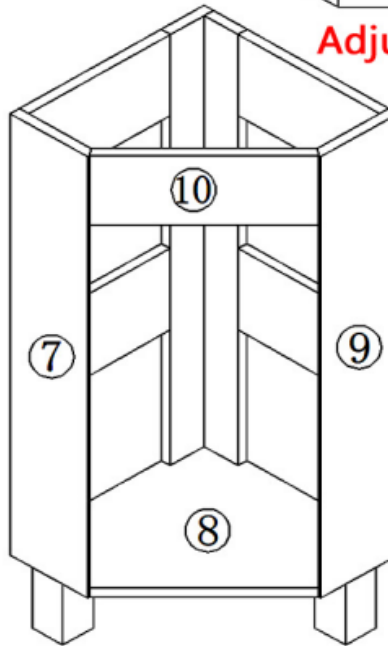
E=6



H=4



Adjustable shelf



STEP 8



Hardware-Corner must be installed at C/D.



E=16



F=2



G=2



I=2

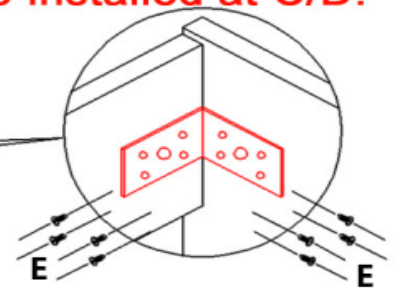
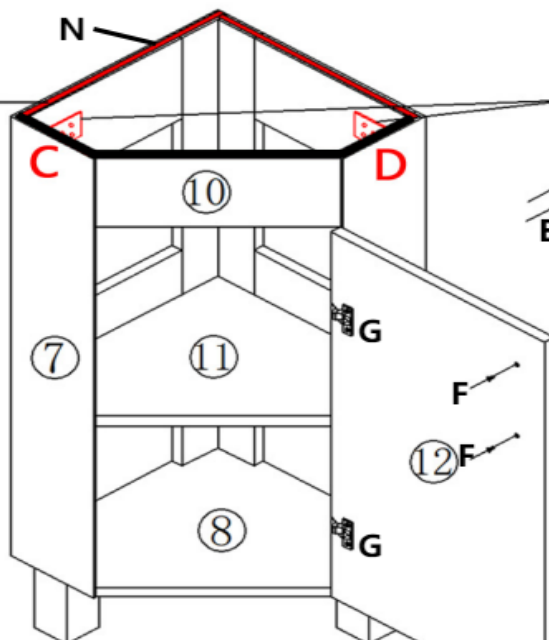


M=1



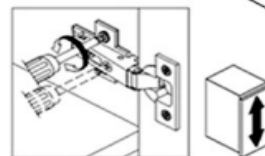
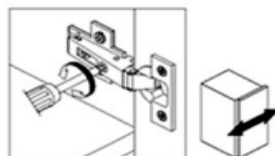
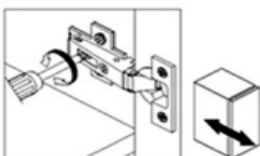
N=1

Bumper strip



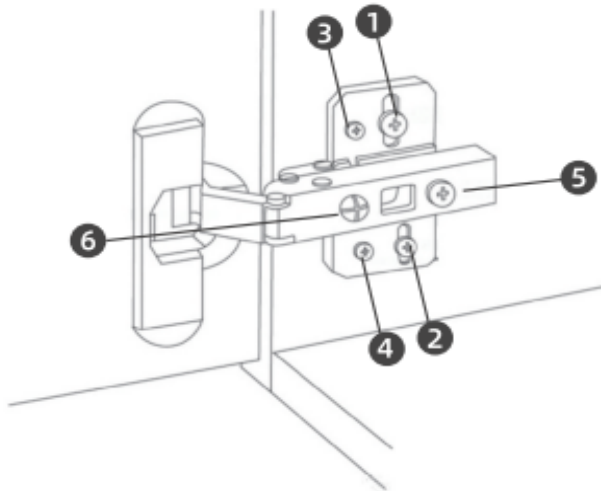
4*16mm Screws

Hinge adjustment:



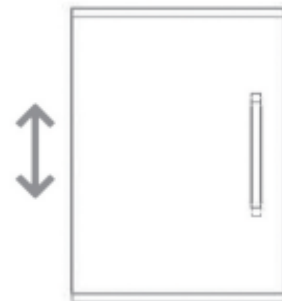
6

HINGE ADJUSTMENTS



1 Height Adjustment by Screws No. 1, 2, 3, and 4.

- Loosen all screws located on the sideboards.
- Move the door to the desired height.
- Tighten all screws securely.



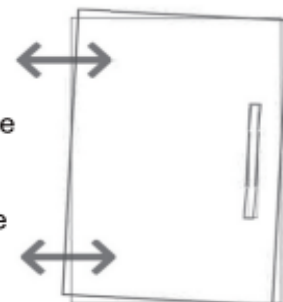
2 Forward and Backward Adjustment by Screw No. 5:

- Loosen the screw found on the hinge.
- Position the door in the appropriate location.
- Tighten the screw to secure the door.





3 Sideways/Tilt Adjustment by Screw No. 6:

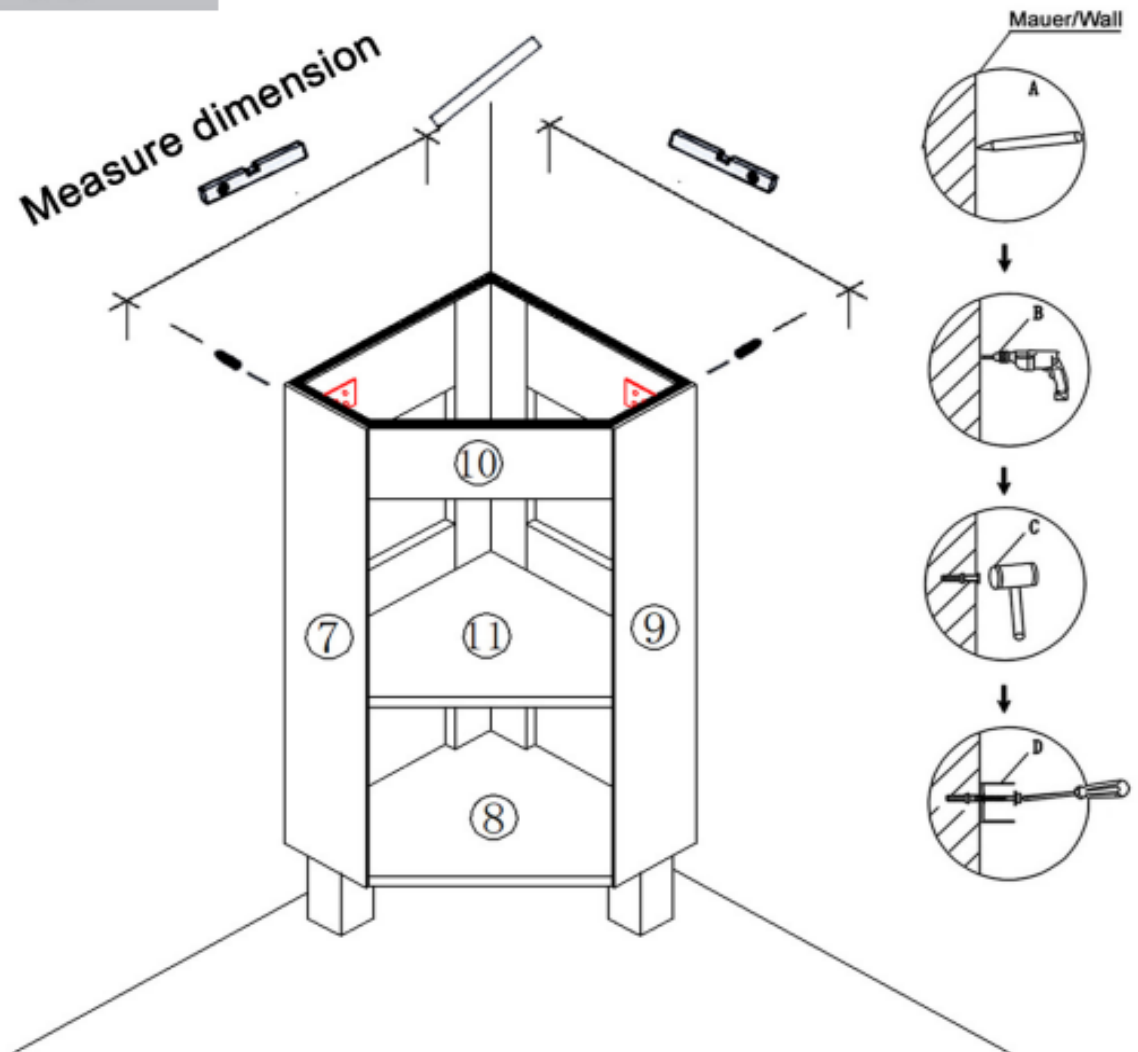
- Turn the screw clockwise to shift the door further away from the cabinet sideboard.
- Turn the screw counterclockwise to bring the door closer to the cabinet sideboard.



STEP 9

 J=2  K=2

Need Tools:

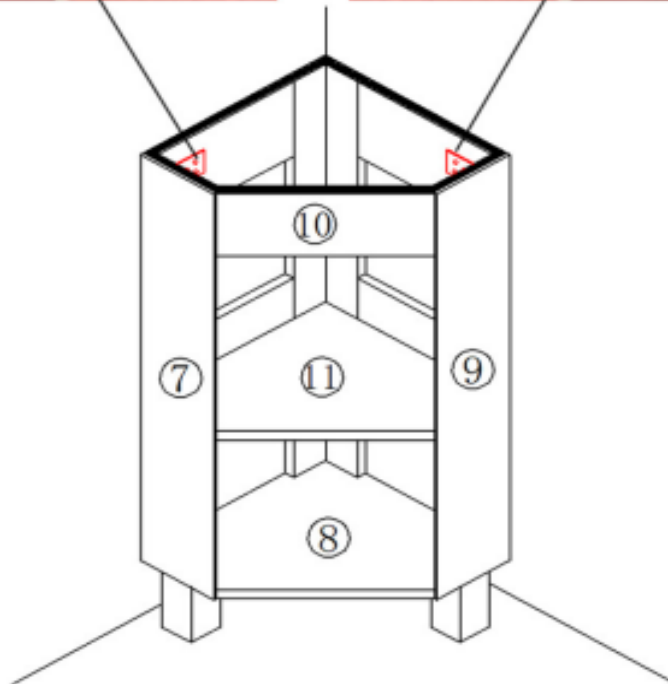


Installation completed effect display:

Hardware-Corner



Hardware-Corner



Maintenance Guidelines

Bracket & Connection Inspections: The wall brackets and all structural connections must be inspected every 6 months. Regular use may cause loosening – retighten screws immediately if instability is detected.

Limited Warranty Disclaimer

This product's warranty excludes failures or damages resulting from: Improper installation (e.g., brackets not anchored to wall studs, single-side fixation).

Neglect of routine maintenance as described in this manual.

Modifications to factory-assembled components.