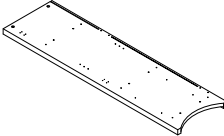
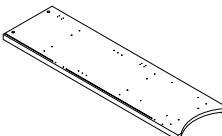
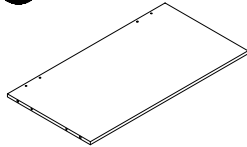
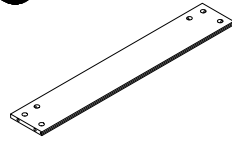
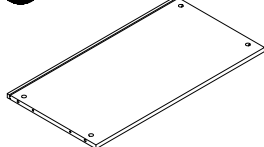
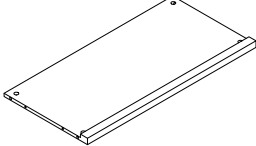

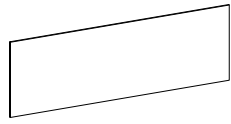
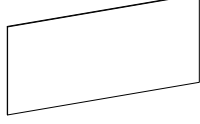
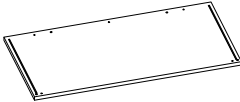
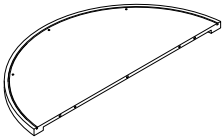
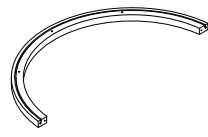

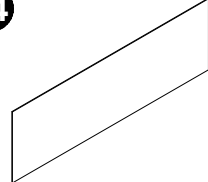
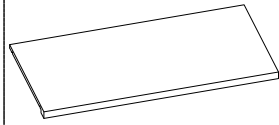
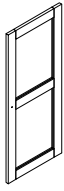
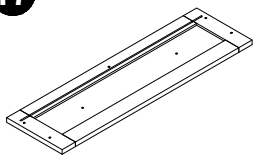
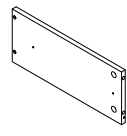
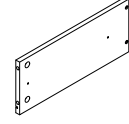
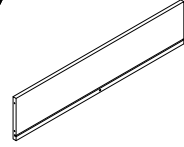
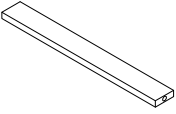
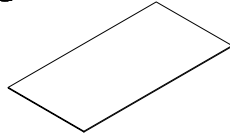


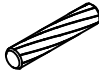
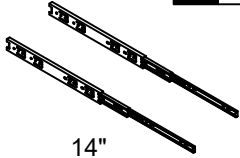












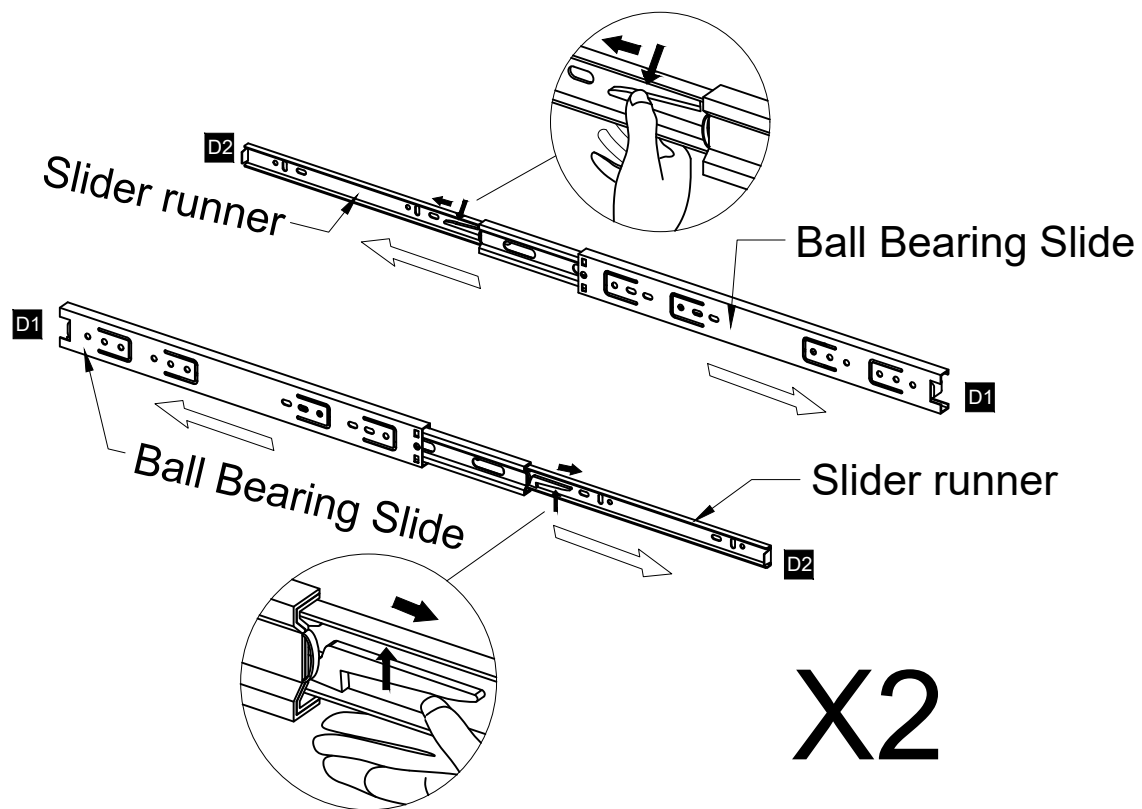


<p><b>1</b></p>  <p>X1</p>	<p><b>2</b></p>  <p>X1</p>	<p><b>3</b></p>  <p>X1</p>	<p><b>4</b></p>  <p>X1</p>	<p><b>5</b></p>  <p>X1</p>
<p><b>6</b></p>  <p>X1</p>	<p><b>7</b></p>  <p>X1</p>	<p><b>8</b></p>  <p>X1</p>	<p><b>9</b></p>  <p>X2</p>	<p><b>10</b></p>  <p>X1</p>
<p><b>11</b></p>  <p>X1</p>	<p><b>12</b></p>  <p>X1</p>	<p><b>13</b></p>  <p>X3</p>	<p><b>14</b></p>  <p>X1</p>	<p><b>15</b></p>  <p>X1</p>
<p><b>16</b></p>  <p>X2</p>	<p><b>17</b></p>  <p>X2</p>	<p><b>18</b></p>  <p>X2</p>	<p><b>19</b></p>  <p>X2</p>	<p><b>20</b></p>  <p>X2</p>
<p><b>21</b></p>  <p>X2</p>	<p><b>22</b></p>  <p>X2</p>			

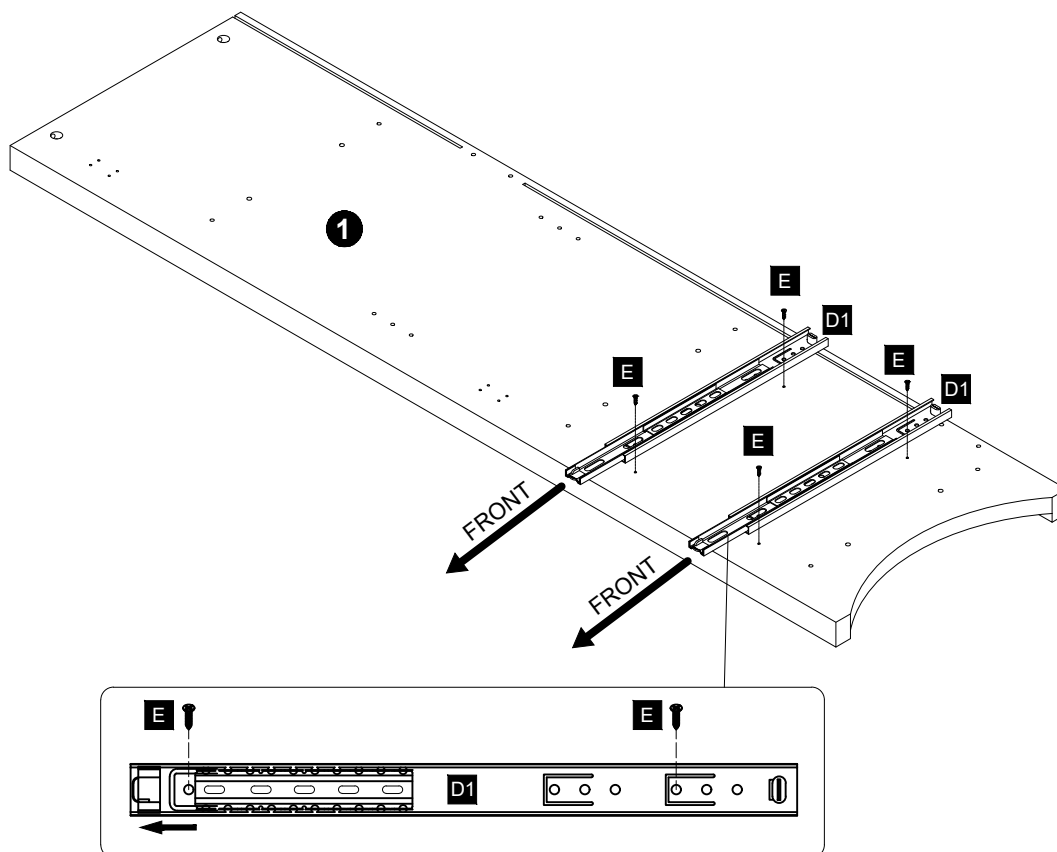
<p><b>A</b> X45</p>  <p>6x32mm</p>	<p><b>B</b> X45</p>  <p>15x10mm</p>	<p><b>C</b> X22</p>  <p>6x30mm</p>	<p><b>D</b> X 2</p>  <p>14"</p>
<p><b>E</b> X40</p>  <p>3.5 x12mm</p>	<p><b>F</b> X 2</p>  <p>5 x 40mm</p>	<p><b>G</b> X12</p> 	<p><b>H</b> X12</p>  <p>3x17mm</p>
<p><b>I</b> X30</p>  <p>Ø20mm</p>	<p><b>J</b> X4</p> 	<p><b>K</b> X 4</p>  <p>5x16mm</p>	<p><b>L</b> X10</p>  <p>4x30mm</p>
<p><b>M</b> X 2</p> 	<p><b>N</b> X 4</p> 	<p><b>O</b> X 2</p> 	<p>X 1</p> 

D X 2

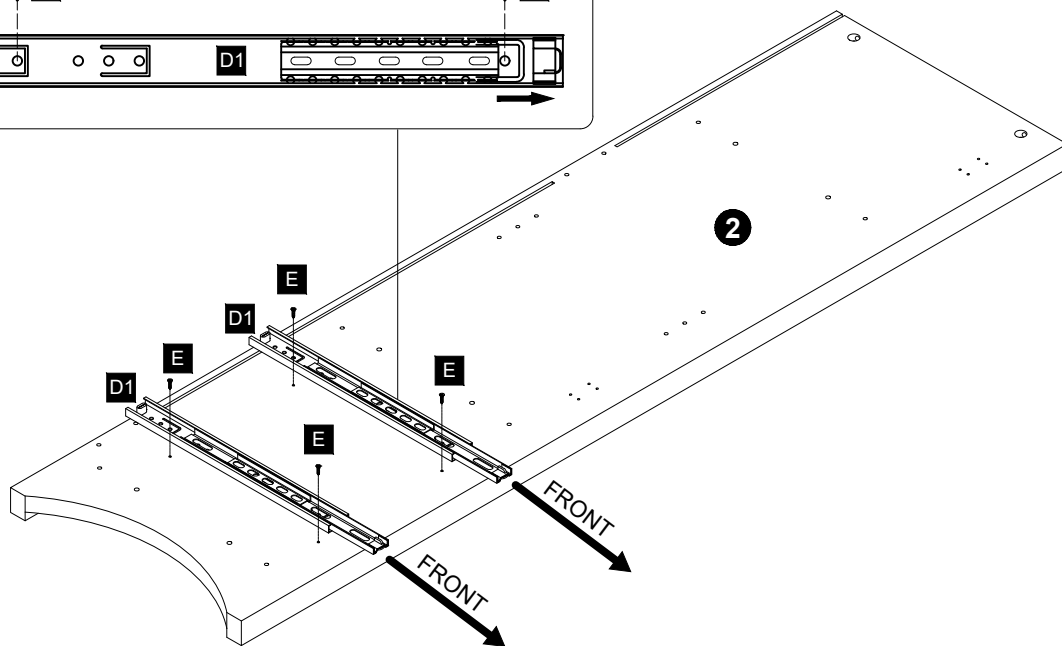
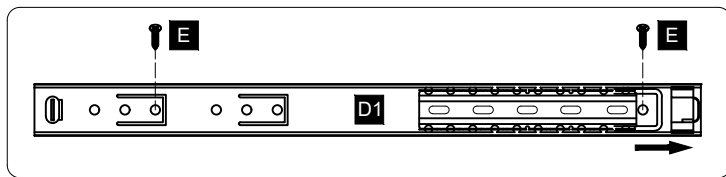
**Attention:**  
Take care when installing the slide rails as they have been pre-lubricated



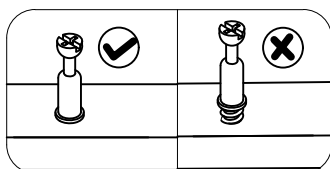
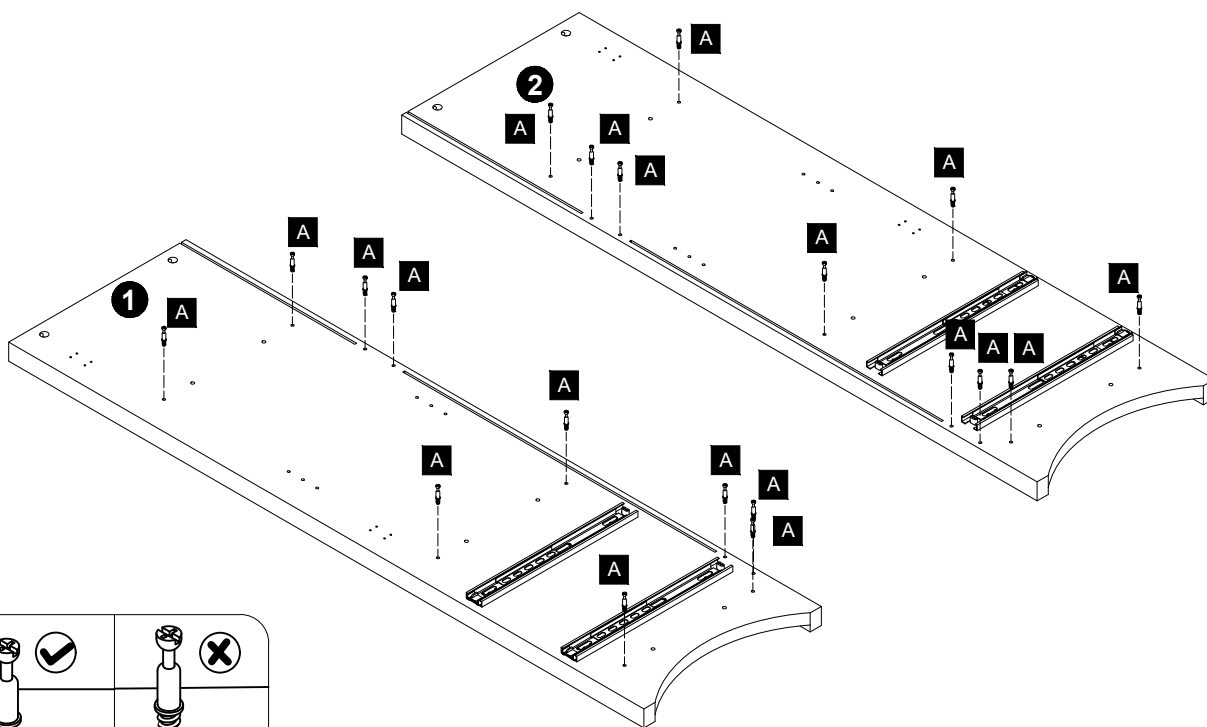
E X 4



E X4

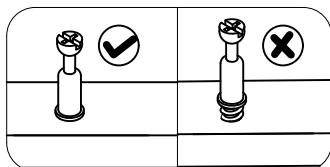
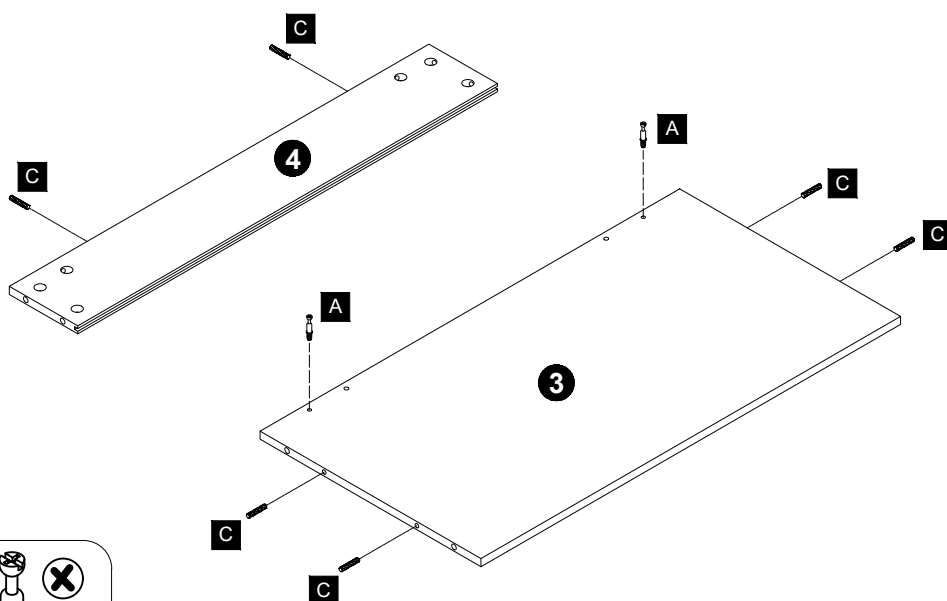


A X20

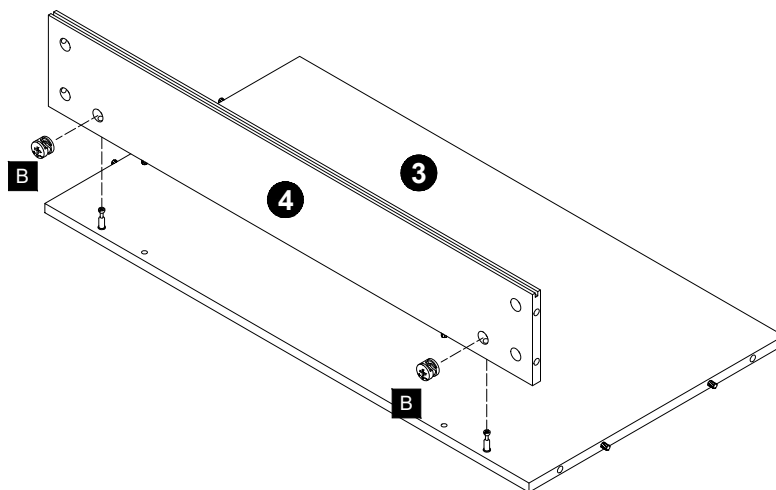
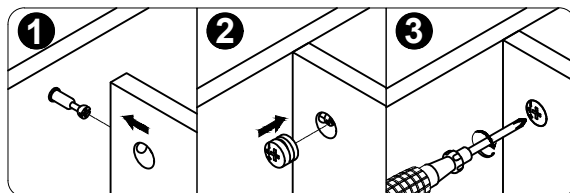


A X2

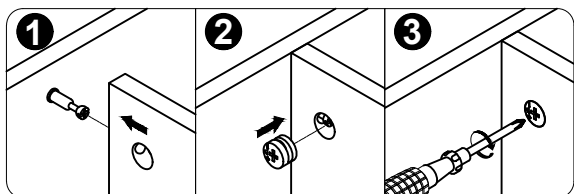
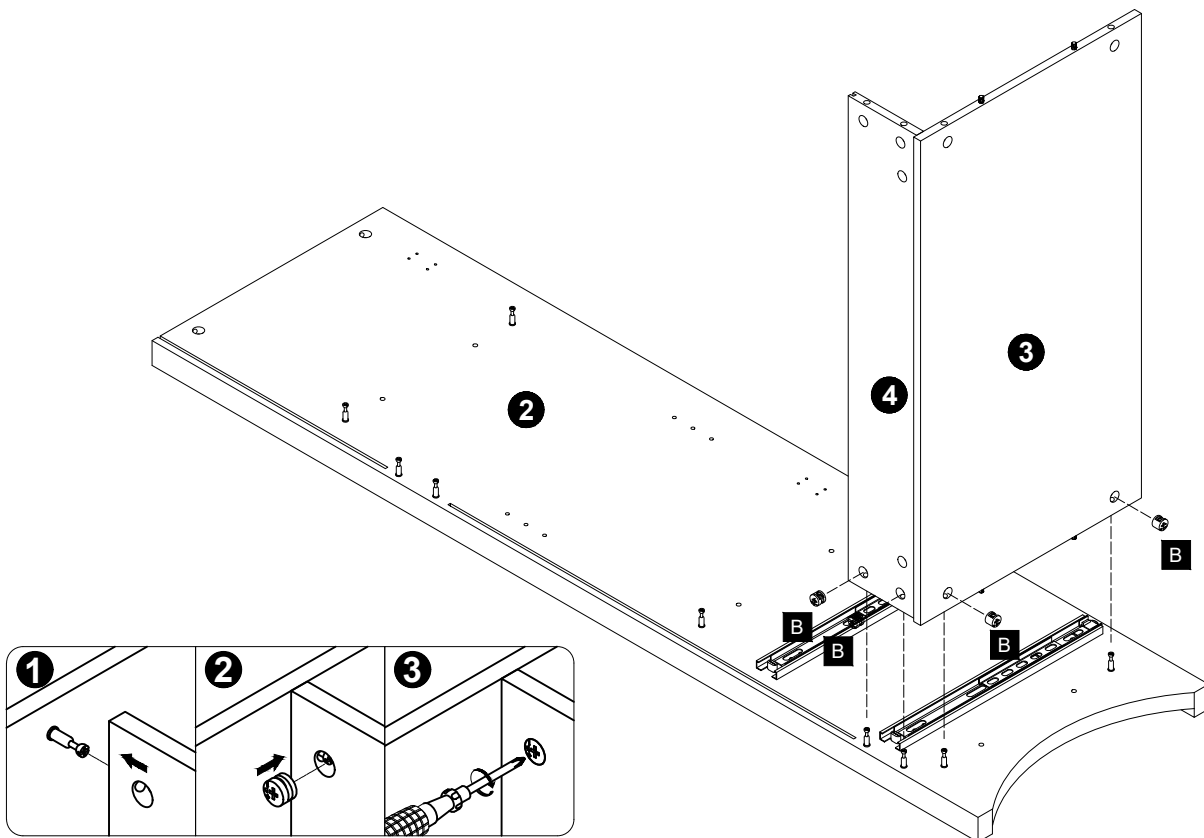
C X6



B X2

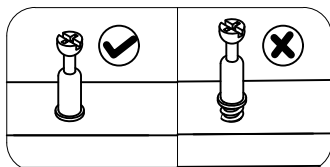
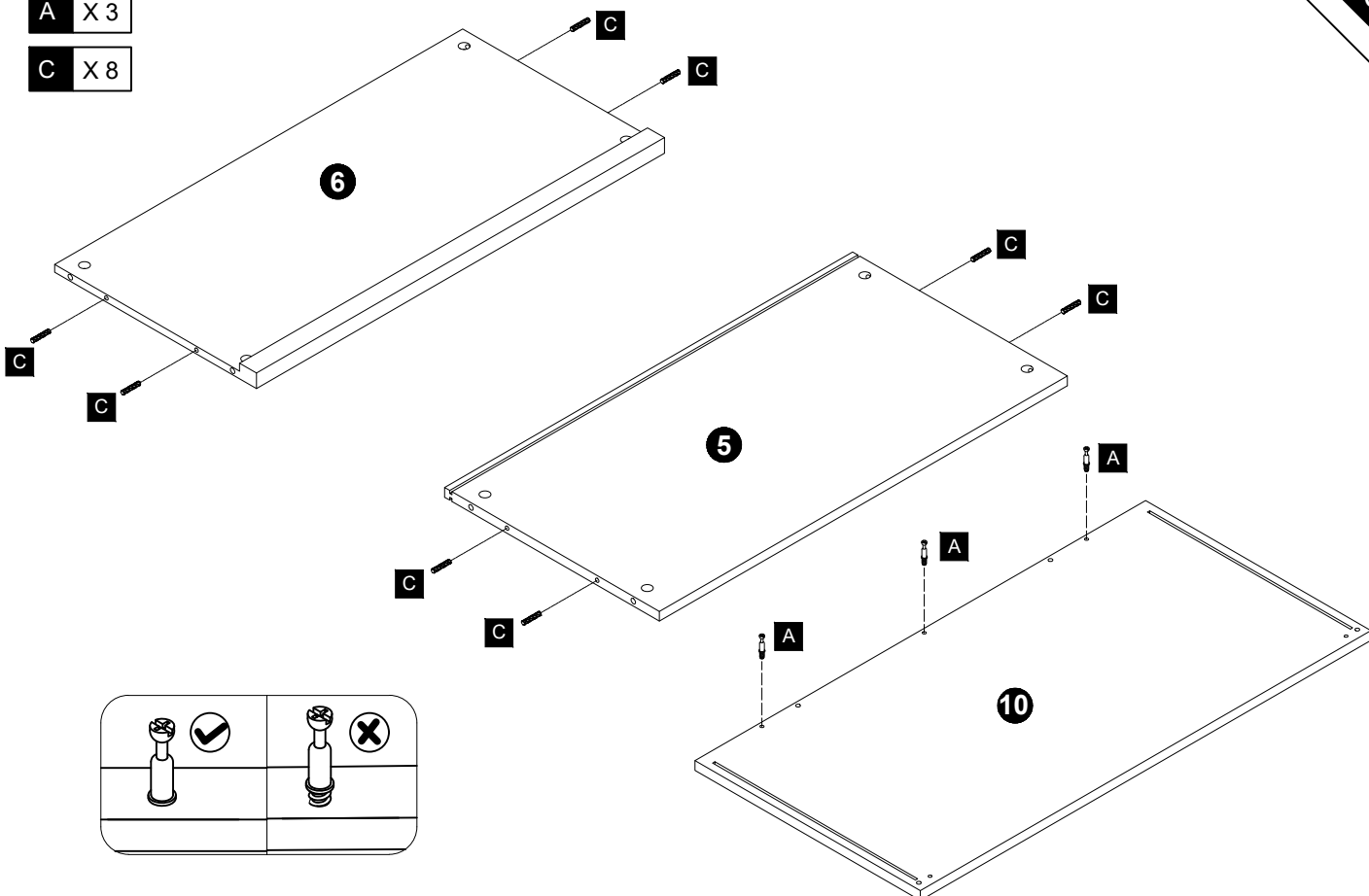


B X4

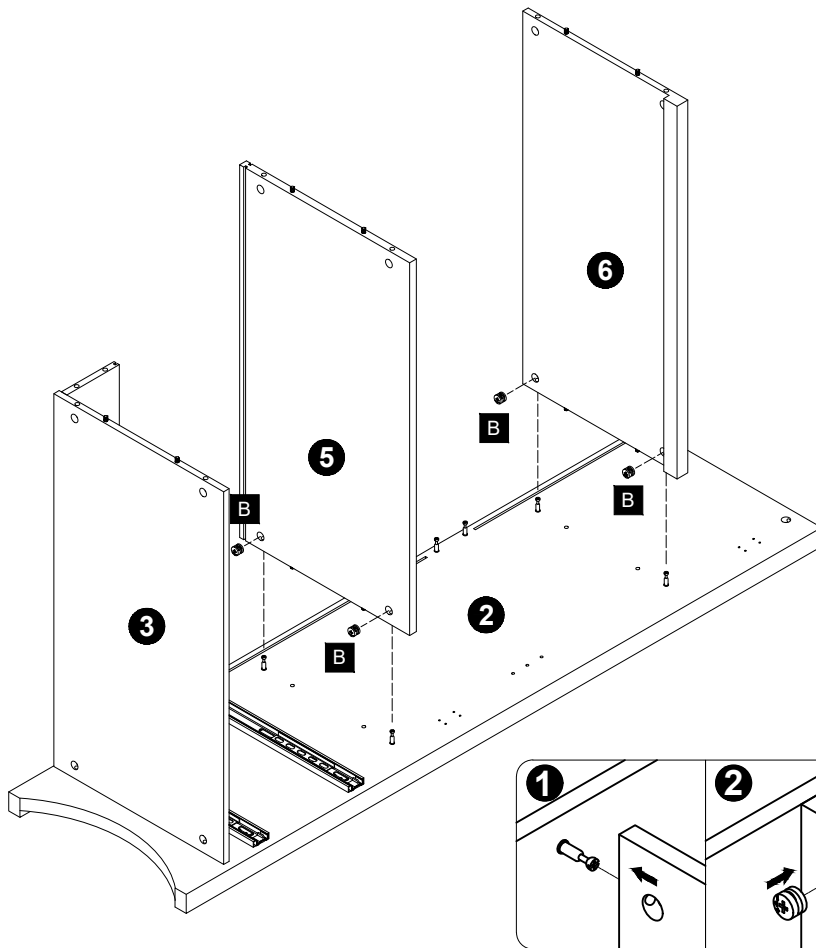


A X3

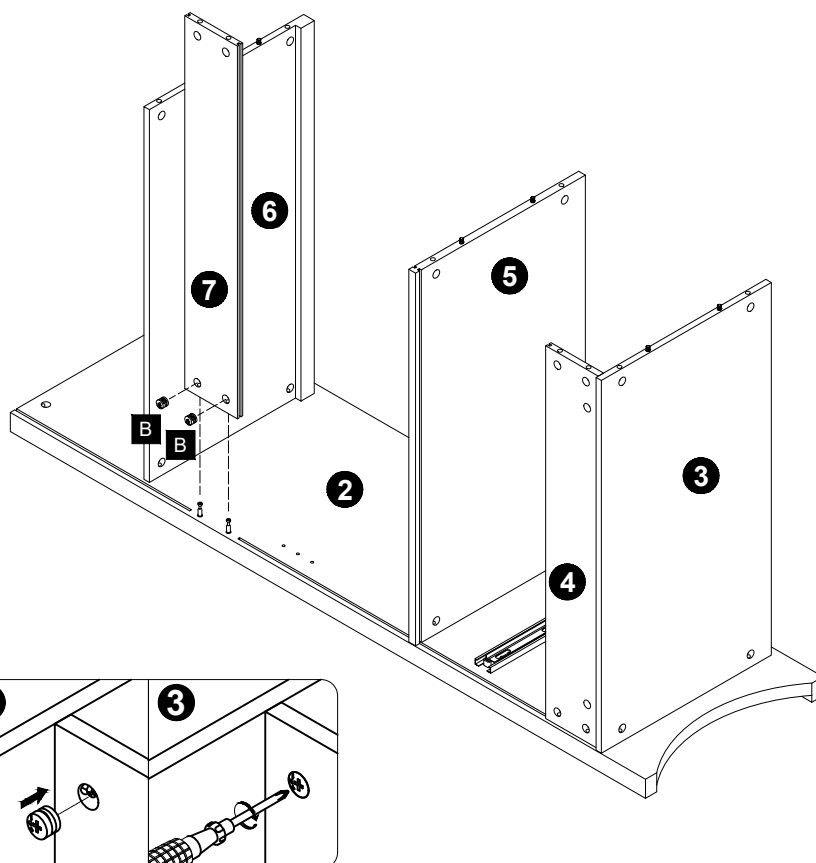
C X8

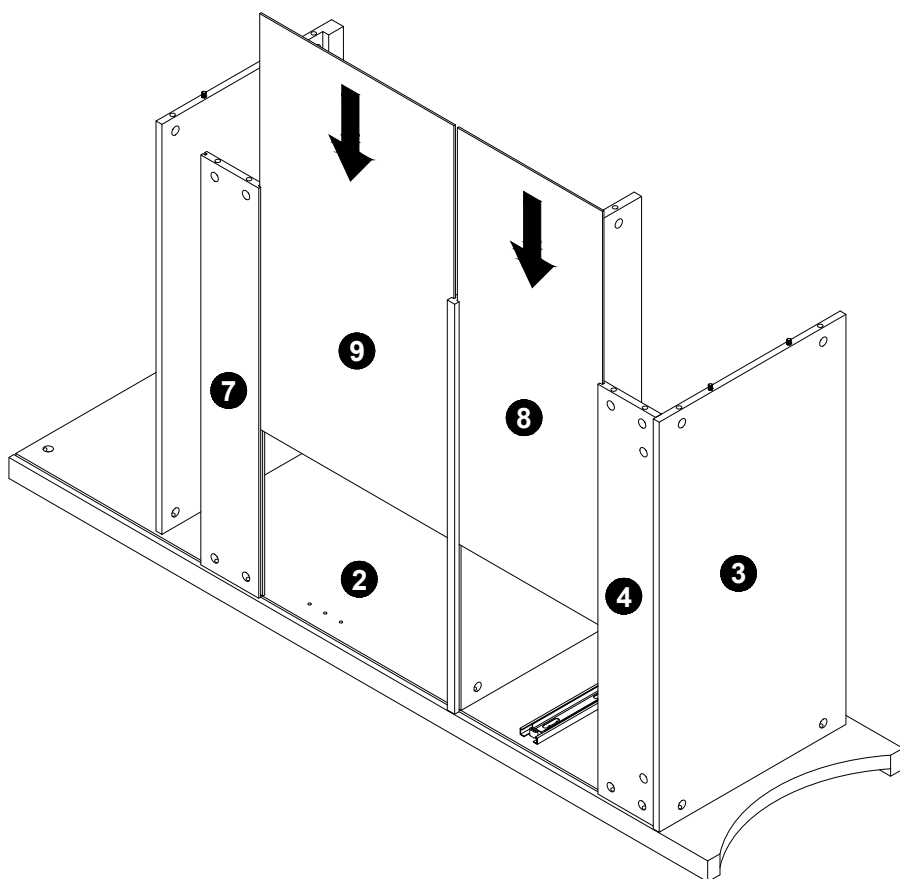


B X4

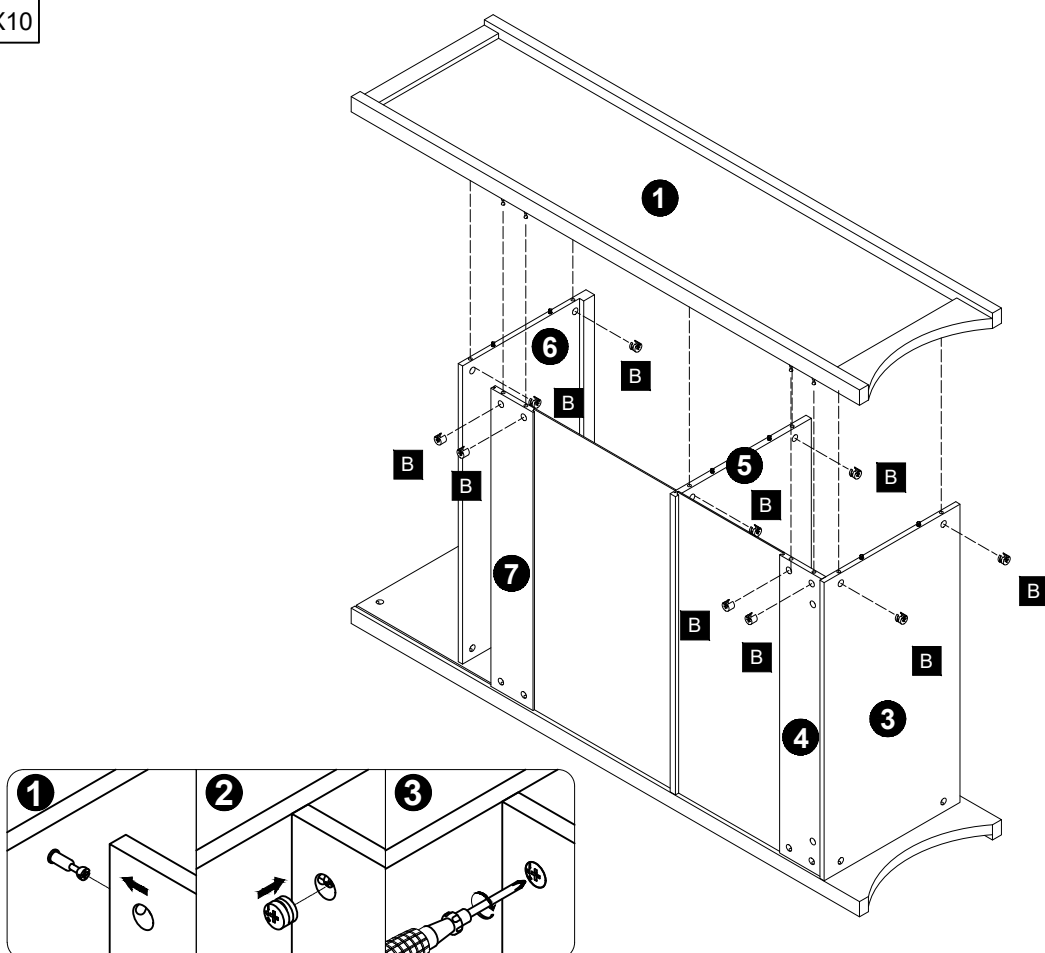


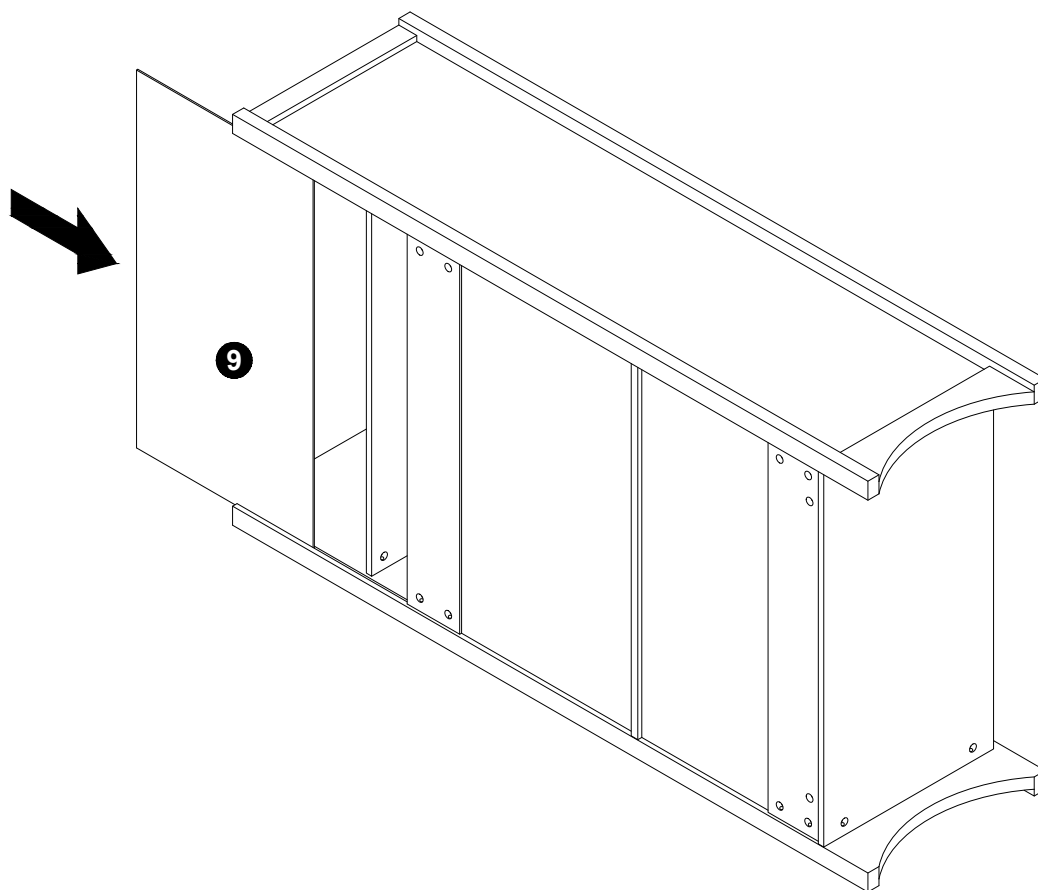
B X2



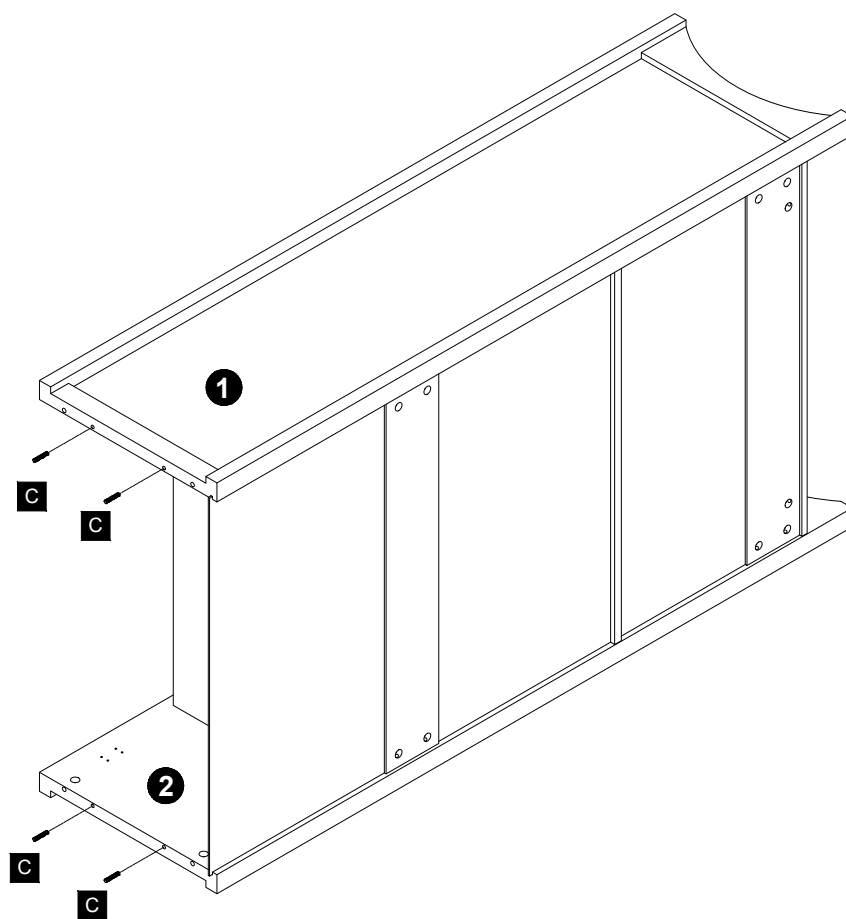


B X10



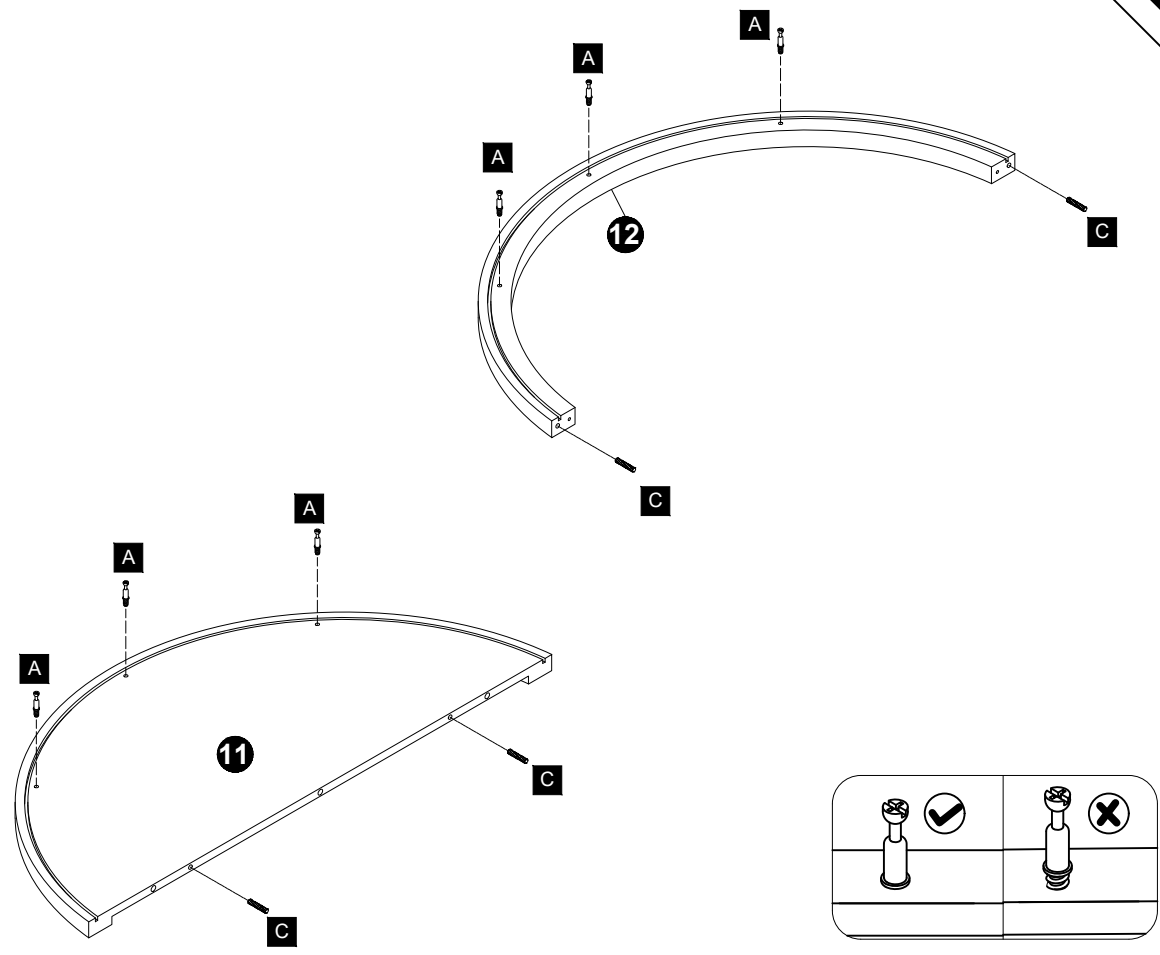


C X4

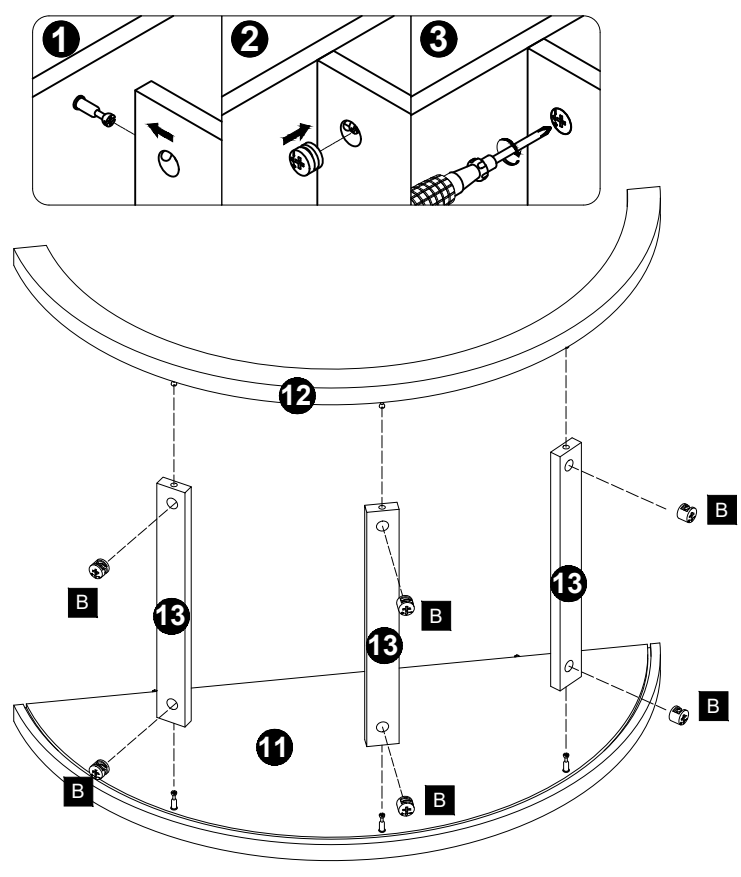


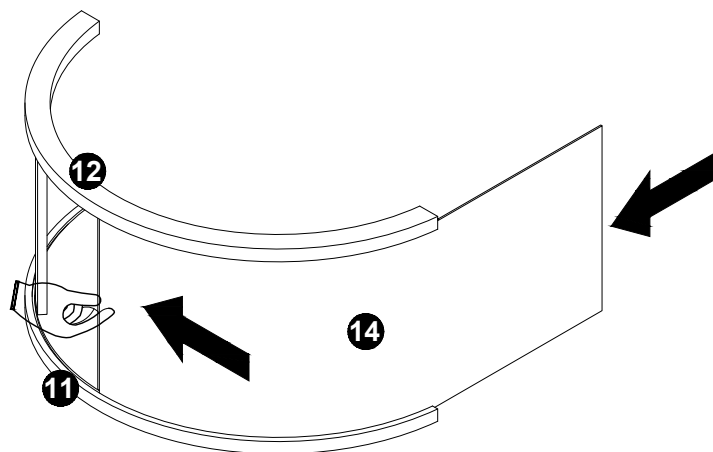
A X 6

C X 4

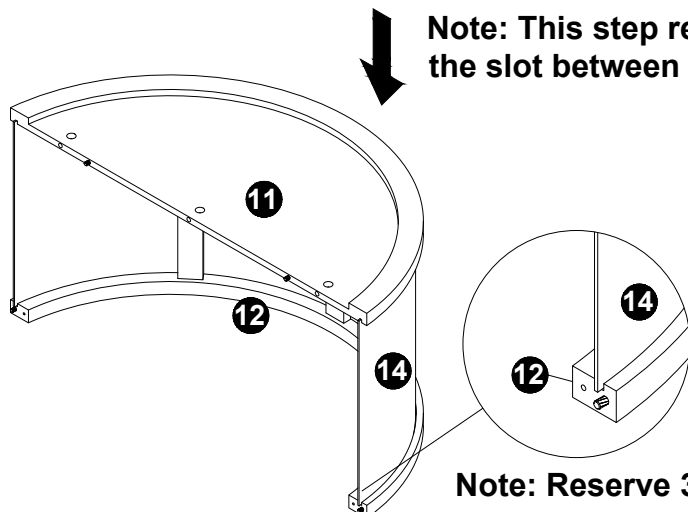


B X 6



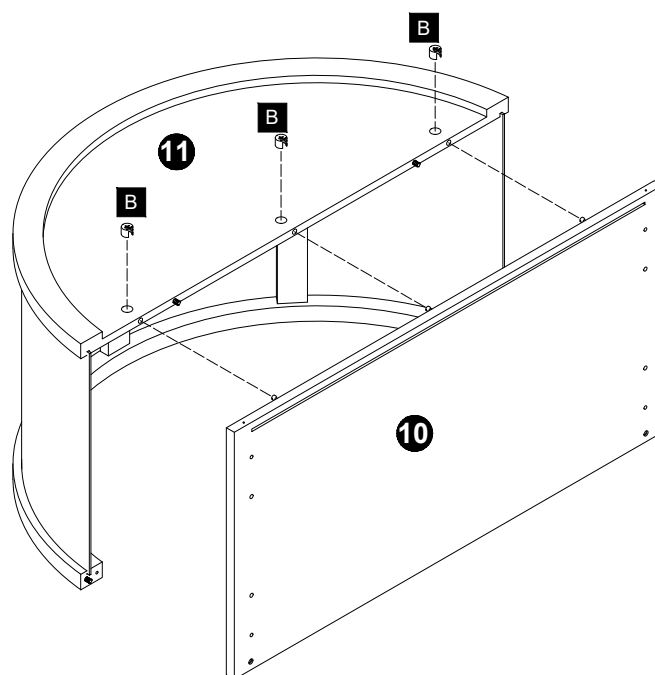
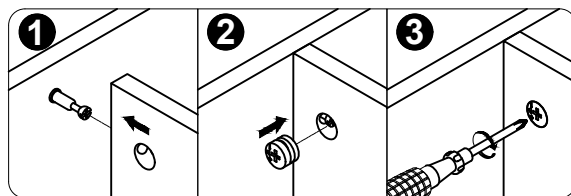


Note: This step requires inserting the board 14 into the slot between the boards 11 and 12.



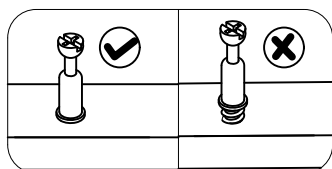
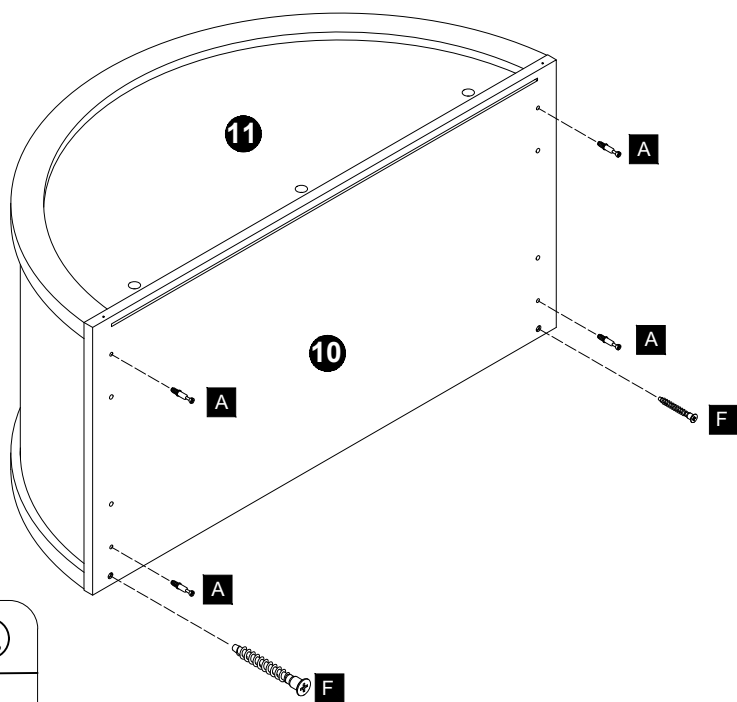
Note: Reserve 3mm before and after slot insertion.

B X 3

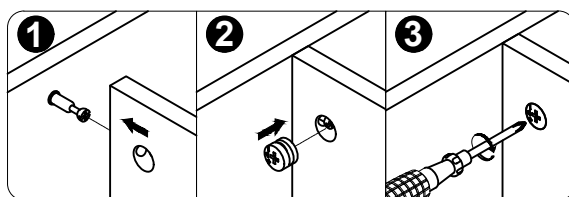
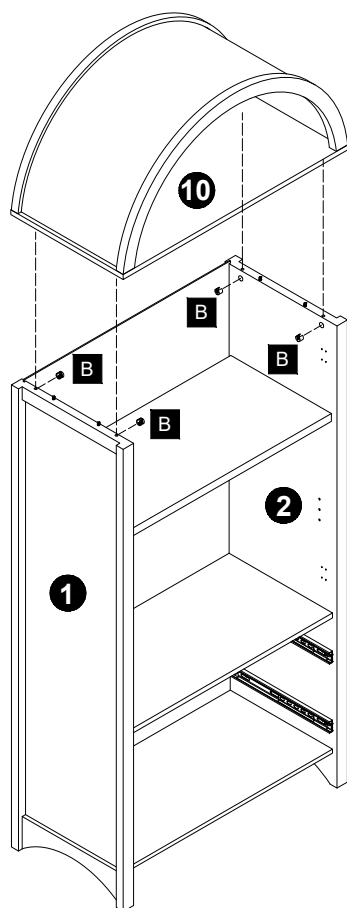


A X4

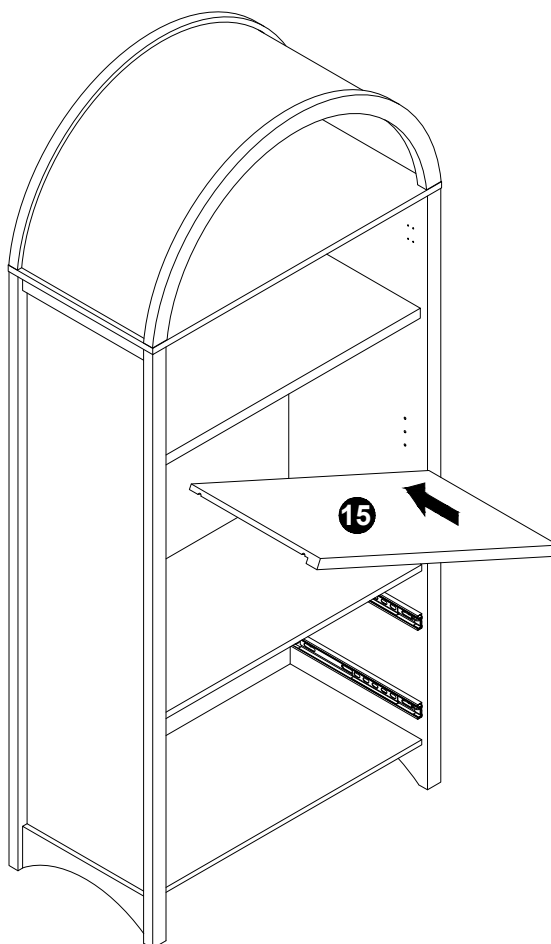
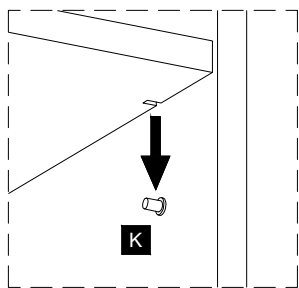
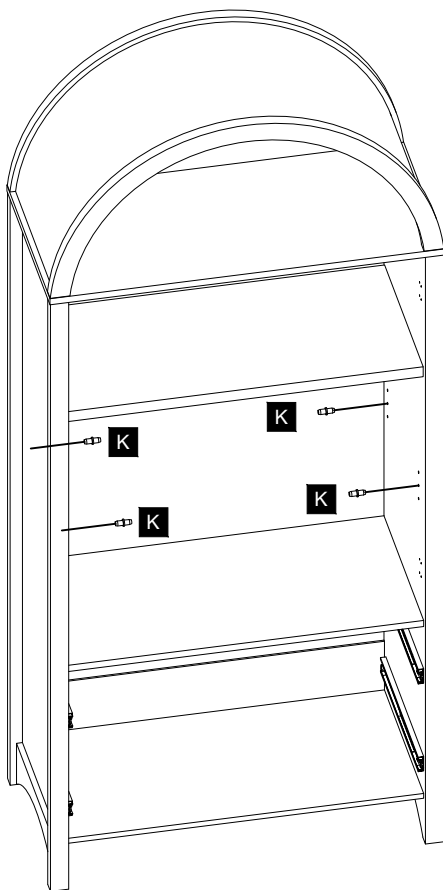
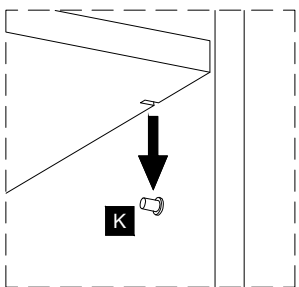
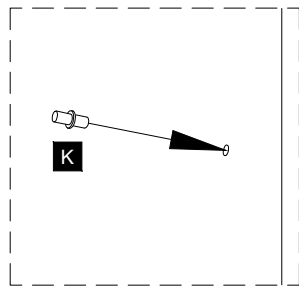
F X2



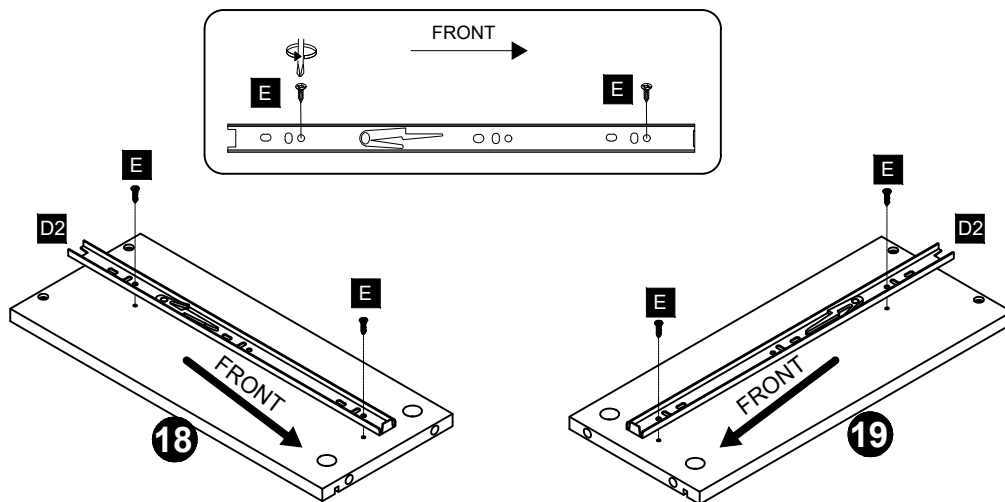
B X4



K X4

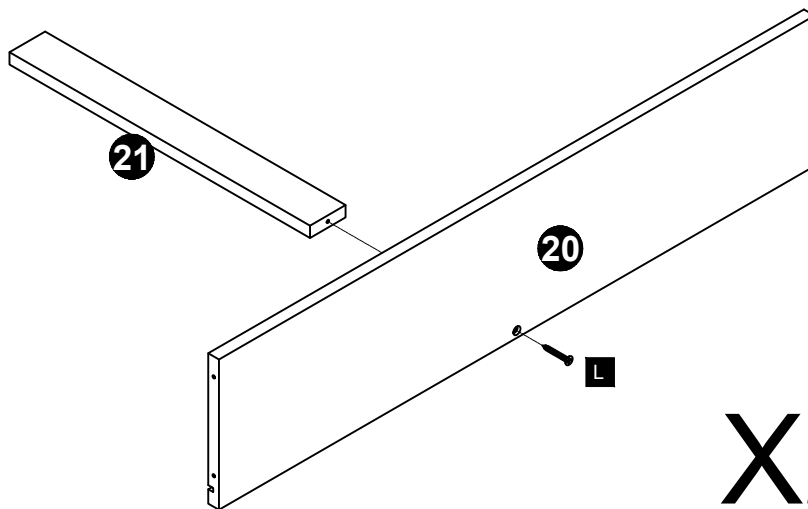


E X 8



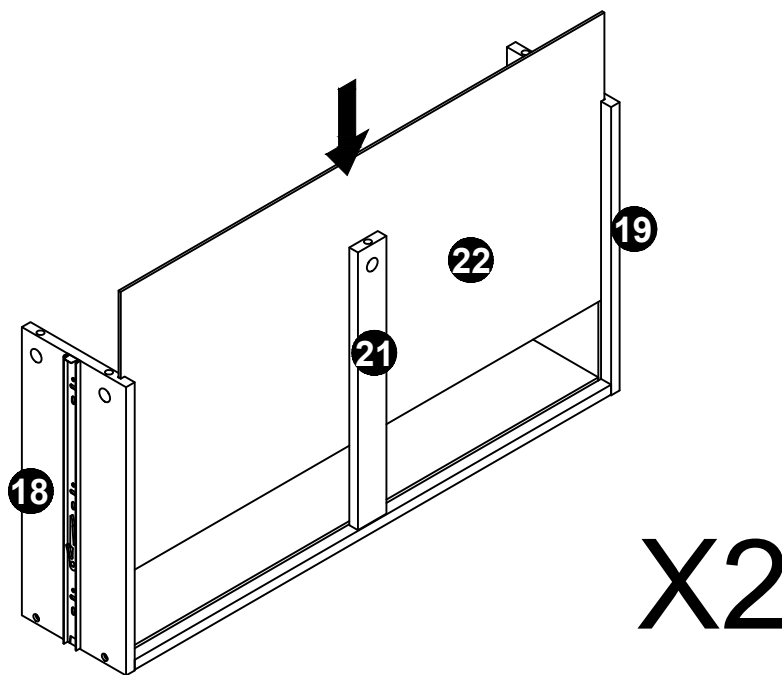
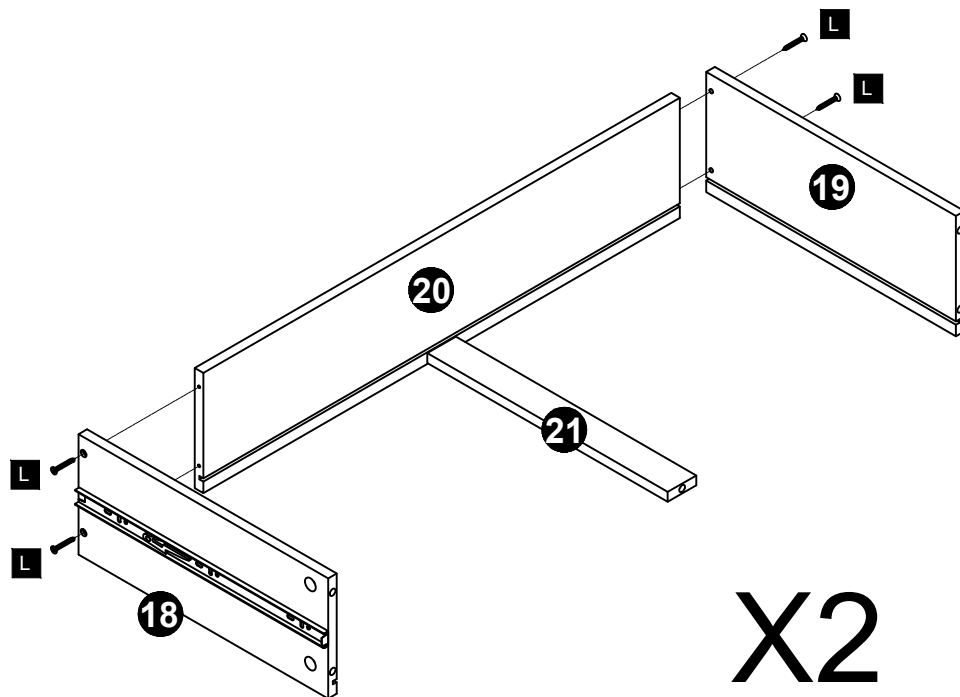
X2

L X 2

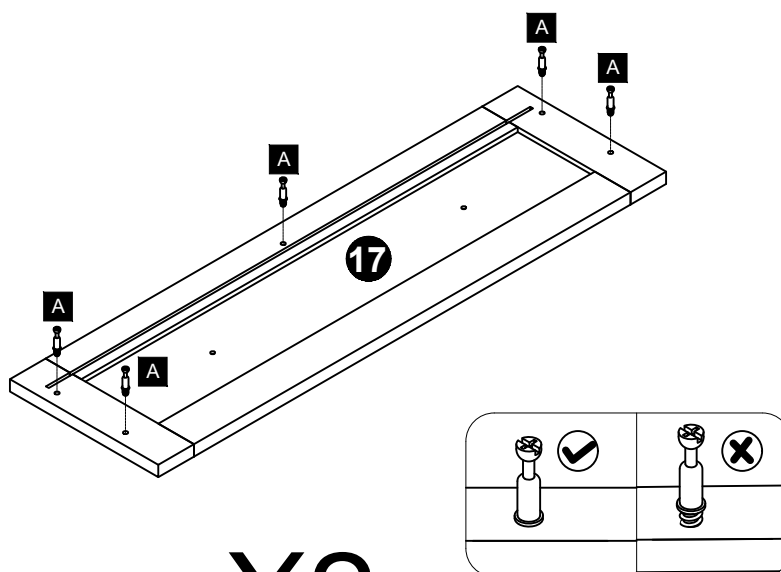


X2

L X 8

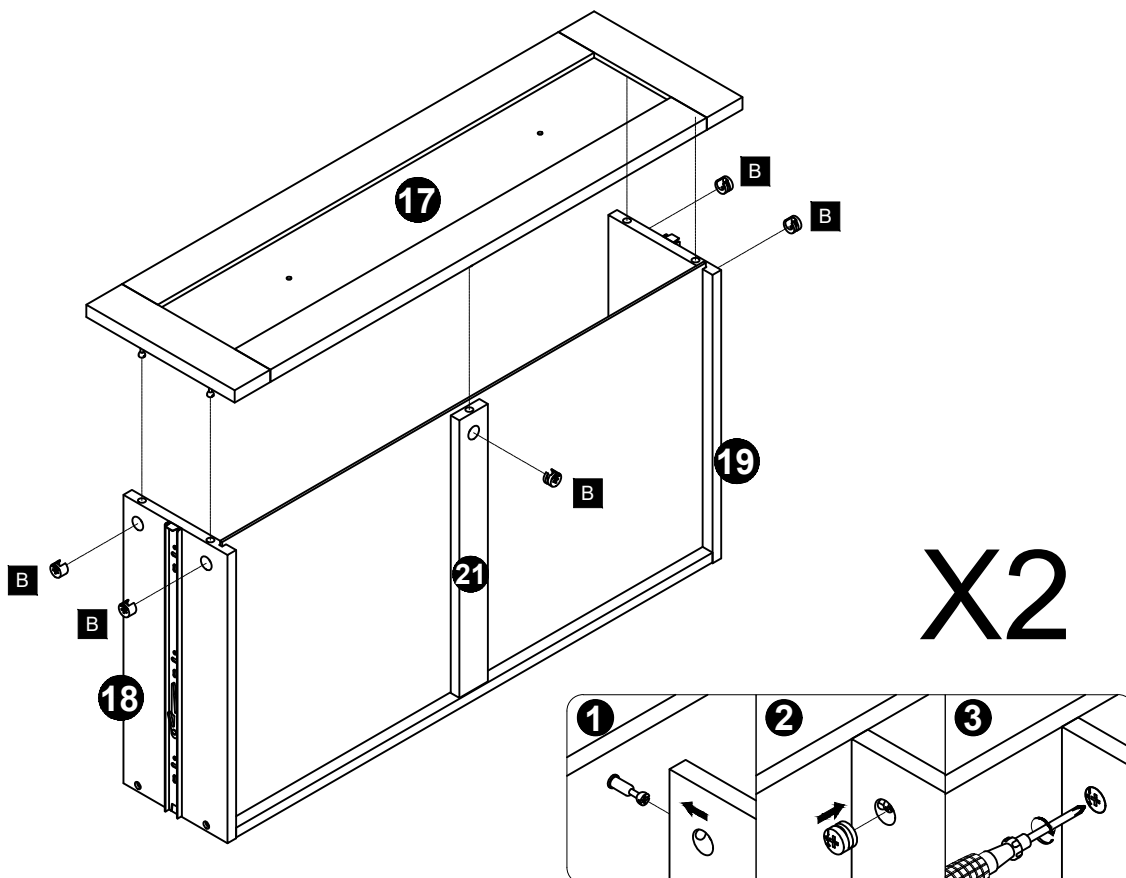


A X10



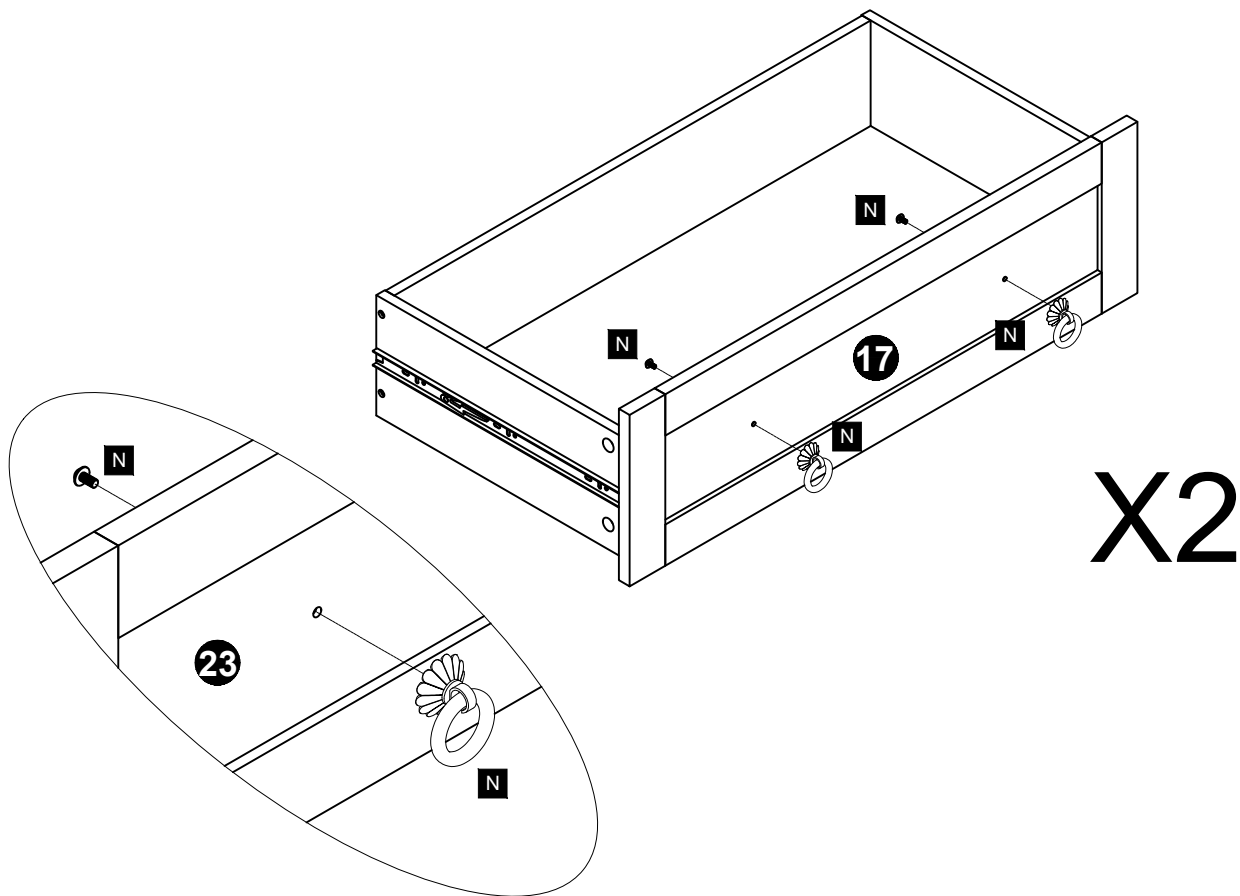
X2

B X10



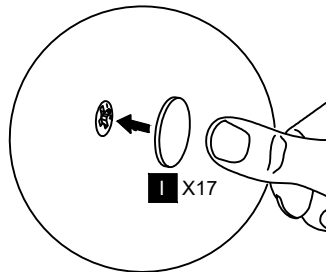
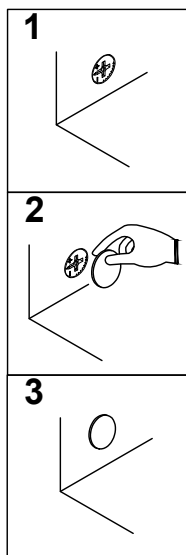
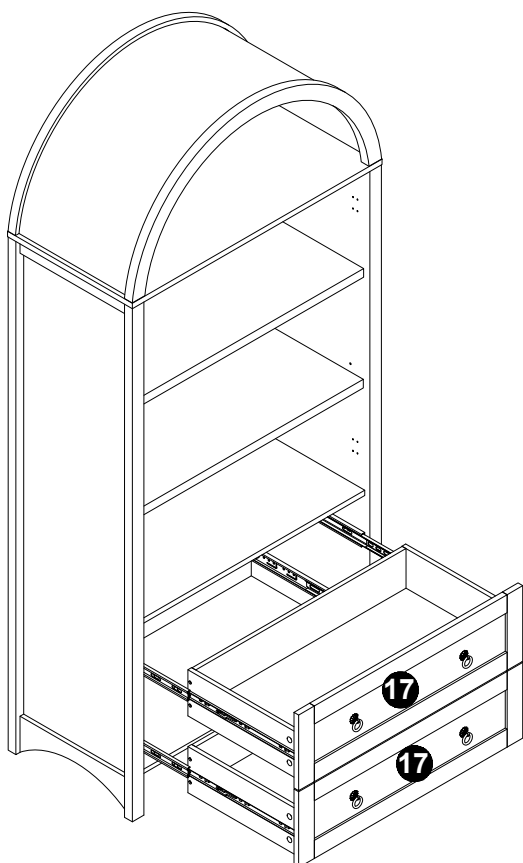
X2

N X4



X2

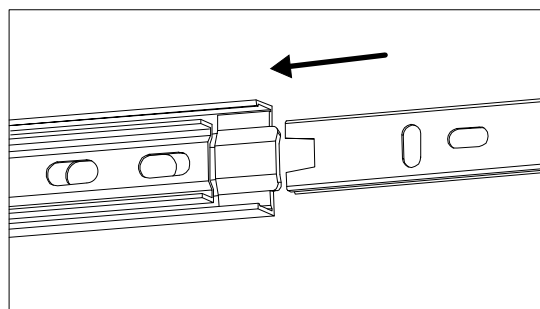
I X17



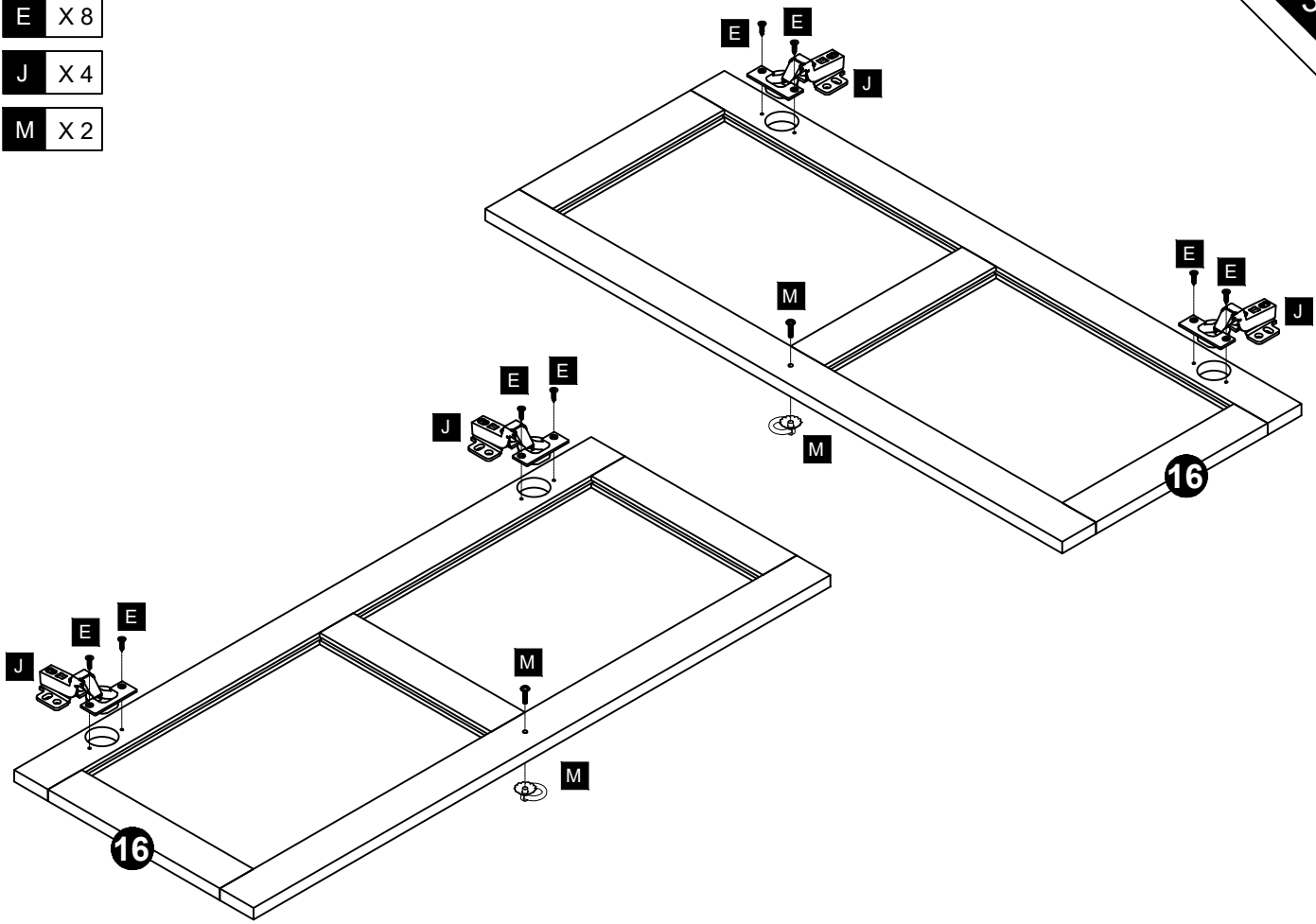
**Attention:**

1. Align the slide runners on the drawer with the unit and push it carefully inside until it stops.

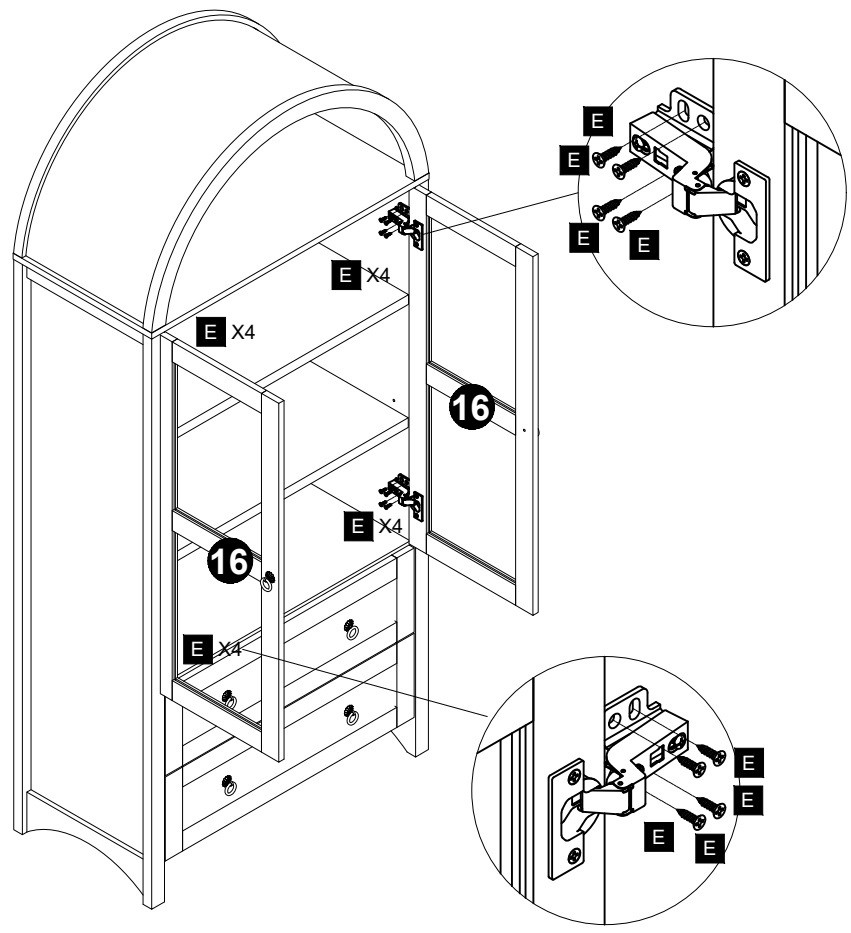
★ If the drawer does not go in smoothly please take it out and repeat the step.



- E** X 8
- J** X 4
- M** X 2

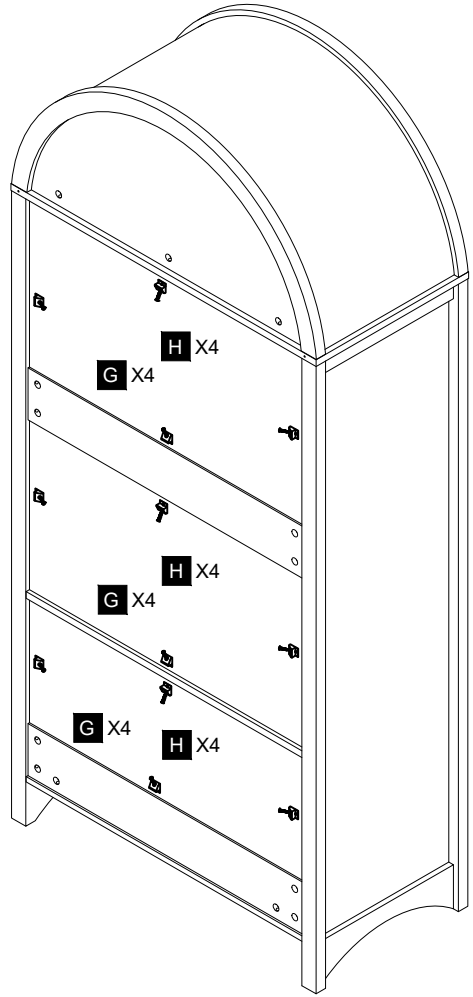
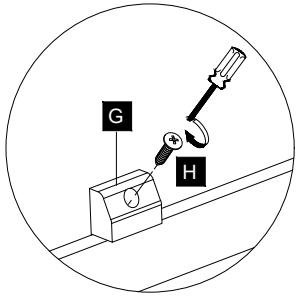
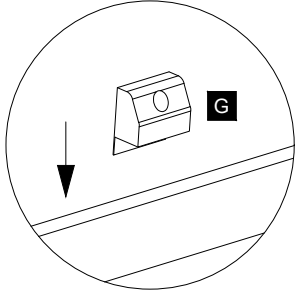


- E** X 16



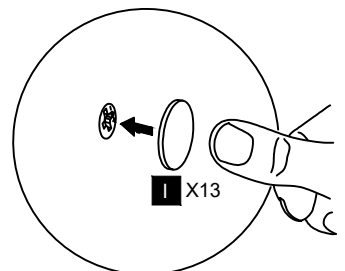
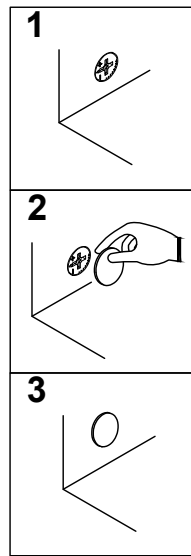
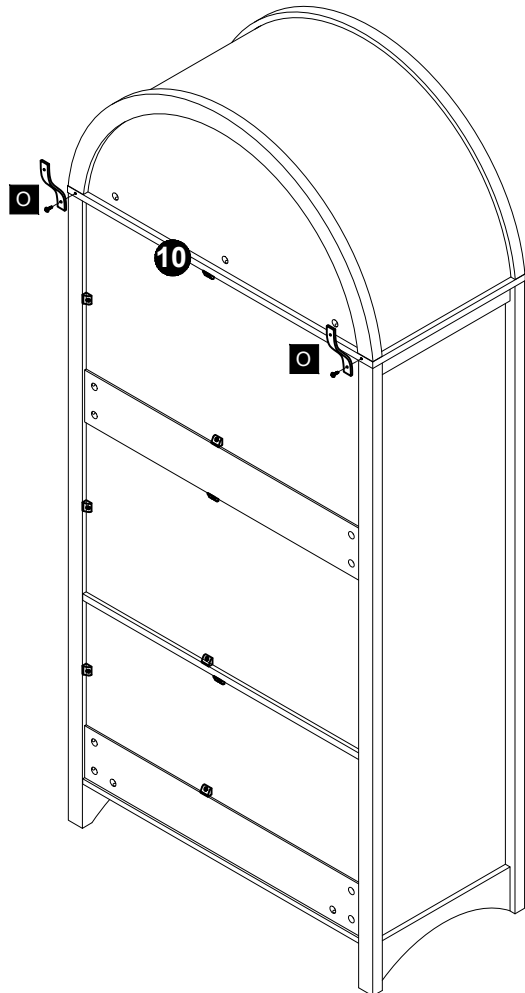
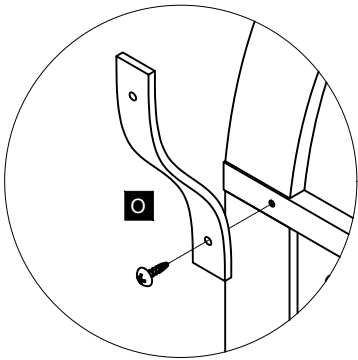
G X12

H X12



I X13

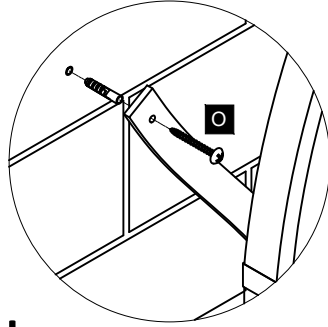
O X2



○ X 2



The unit is floor standing, but it is recommended that the unit is secured to the wall.



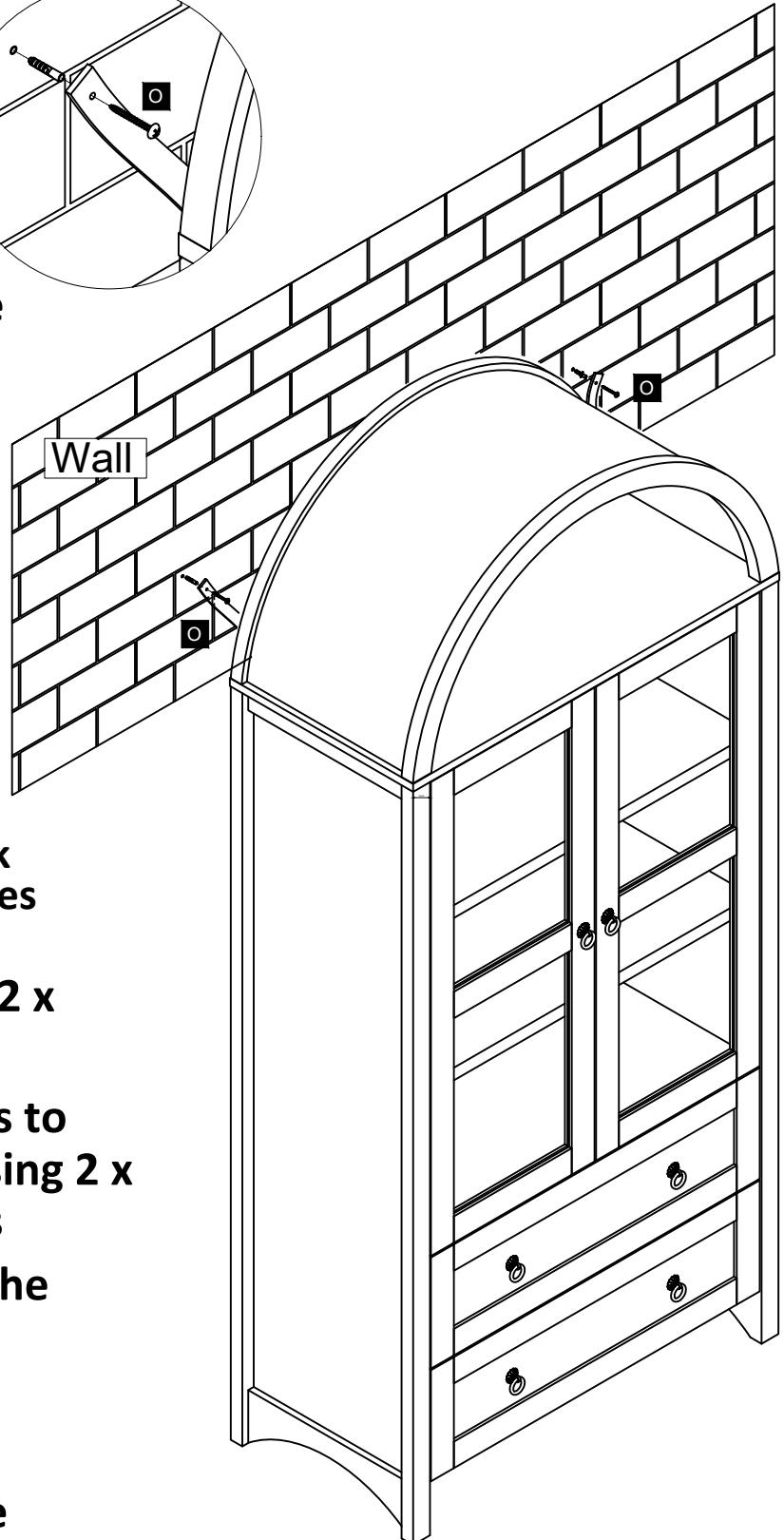
1. Move the unit into desired position.
2. Mark the wall with a suitable scribe the position of the fixing holes.



**Warning:**  
Before drilling, check wall for hidden pipes and cables.

3. Drill holes and insert 2 x wall plug
4. Attach 2 x Wall Straps to to the top of the unit using 2 x Washers and 2 x Screws
5. Secure the straps to the wall using 2 x Washers and 2 x Screws

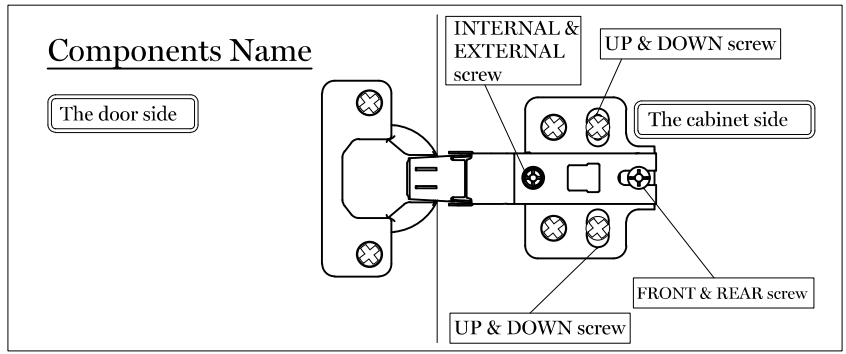
**Note:** To hide the straps behind the unit, drill the holes lower than the top of the unit



**Assembly is complete.**

# The ways to adjust the door

- Before adjusting the hinge, please check whether the cabinet is skewed.
- If the skew can not be repaired, please remove the anti-tipping device first, then adjust the cabinet to vertical position.
- Please adjust the hinge with the door open.
- Please operate it with more than 2 people, one person holds the door and the other one adjusts the screw.



### Obvious gaps between doors or Doors don't look closed

**1** Turn "internal & external screw" to the right can make the door approach inside. Please adjust the doors little by little..

The left door: Turn right (Top and Bottom).  
The right door: Turn right (Top and Bottom).

※ If the 2 doors are overlap, please turn the "internal & external screw" to the left.

### When door is crooked

**1** Rotate the "font and rear screws" to the left (Turn left).  
**2** Push the door to the cabinet.  
**3** Rotate the "font and rear screws" to the right (Turn left).

※ After adjusting the "front and rear screw", the door still does not change, please turn the "internal & external screw" to the right Slightly.

### When door is leaning

**1** Turn "intemal & external screw" to the left can make the top of the door tilted outward. (Turn left)  
**1** Turn "intemal & external screw" to the left can make the top of the door tilted outward. (Turn left)

Protruding to the underside

### When door is higher on top

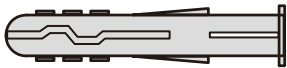
**1** Turn "up & down screw" to the left (Turn left).  
**2** Lower the door's height so that 2 doors are of the same height.  
**3** Turn "up & down screw" to the right (Turn right).

※ if the door is lower on bottom, please lift up the left door slightly on step 2

# A Guide to Wall Mounting & Fixings

## Important note:

If plastic wall plugs (rawl plugs) are supplied with your product, e.g.:



- these are only suitable for use in masonry walls.

If you are in any doubt about the correct wall plugs for your wall, seek professional advice.


Failure of the product due to using the incorrect fixings is the responsibility of the installer.



**Important:** when drilling into walls always check that there are no hidden wires or pipes etc.

Make sure that the screws and wall plugs being used are suitable for supporting your unit. Consult a qualified tradesperson if you are unsure.

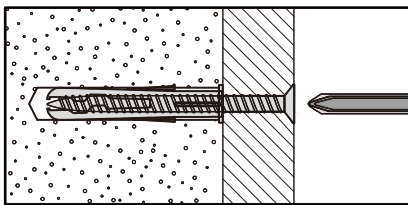
Hints:

- 1: General rule:  always use a larger screw and wall plug if you are not sure.
- 2: Ensure you use the recommended drill bit to match the wall plug and hole size.
- 3: Ensure you drill the hole horizontally; do not force the drill or enlarge the hole.
- 4: Take extra care when drilling high walls, ceilings and ceramic tiles. Ensure wall plugs are inserted beyond the thickness of the ceramic tiles to avoid the tiles splitting or cracking.
- 5: Ensure wall plugs are well fitted and are a tight fit in the drilled hole.

## Types of walls

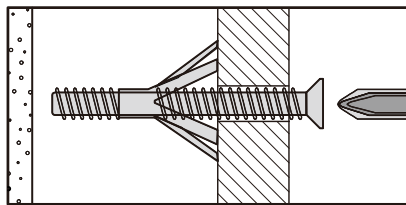
You can use one of the following types of wall plug if your walls are made of brick, breeze block, concrete, stone or wood.

No.1 "General Purpose" wall plug



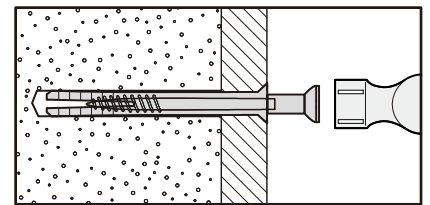
Generally aerated blocks should not be used to support heavy loads, use a specialist fitting in this case. For light loads, general purpose wall plugs can be used.

No.3 "Cavity Fixing" wall plug



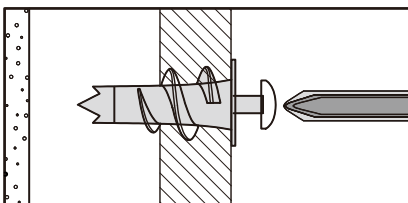
For use with plasterboard partitions or hollow wooden doors.

No.5 "Hammer Fixing" wall plug



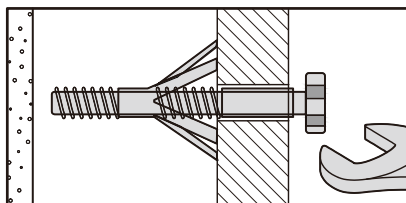
For use with walls stuck with plasterboard. The hammer fixing allows it to be fixed to the wall rather than the plasterboard. Always check the fixing is secure to the retaining wall.

No.2 "Plasterboard" wall plug



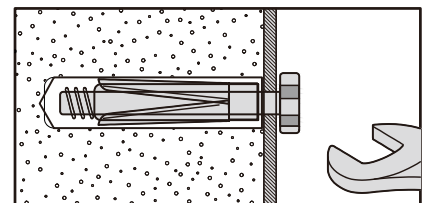
For use when attaching light loads onto plasterboard partitions.

No.4 "Cavity Fixing - Heavy Duty" wall plug



For use when fitting or supporting heavy loads such as shelving, wall cabinets and coat racks.

No.6 "Shield Anchor" wall plug - heavy loads



For use with heavier loads such as TV and HiFi speakers and satellite dishes etc.



**Care & Maintenance**

**Safety:** always check the fitting and location to ensure your safety in and around the home.

**Fitting:** from time to time check the fitting to ensure the wall plugs or screws do not become loose.