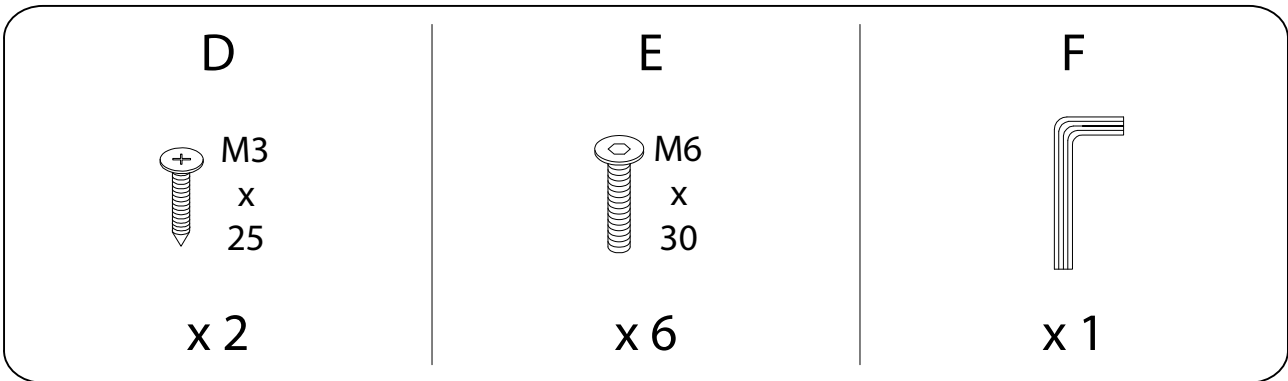
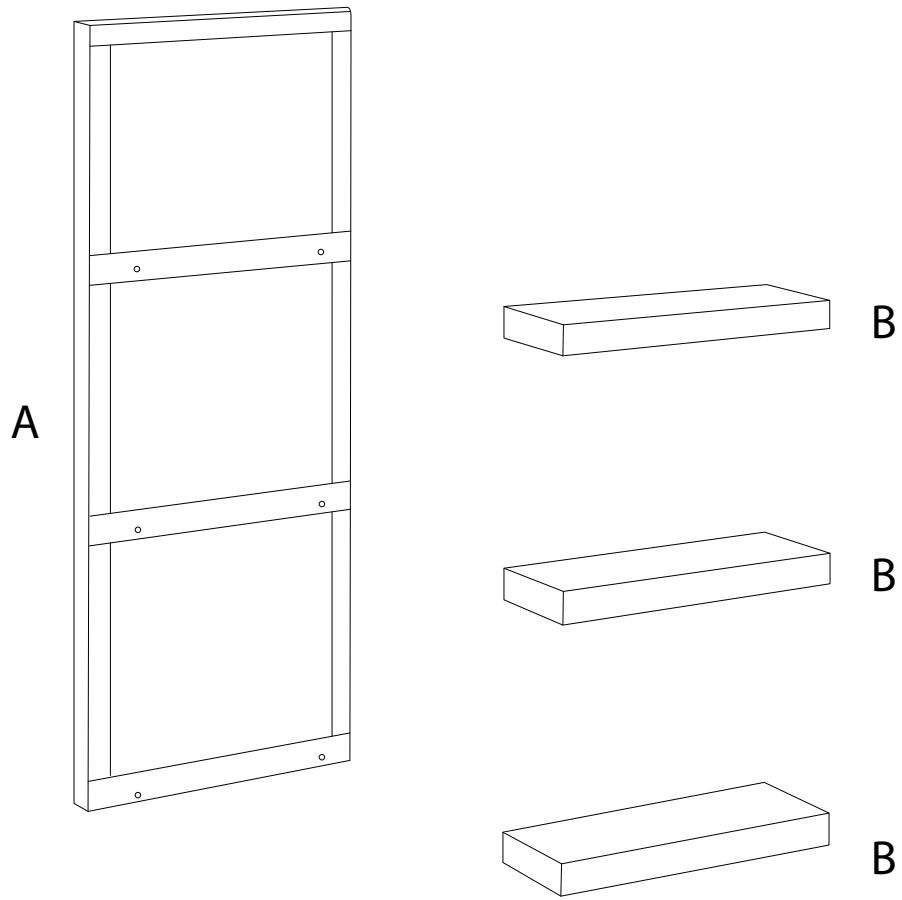
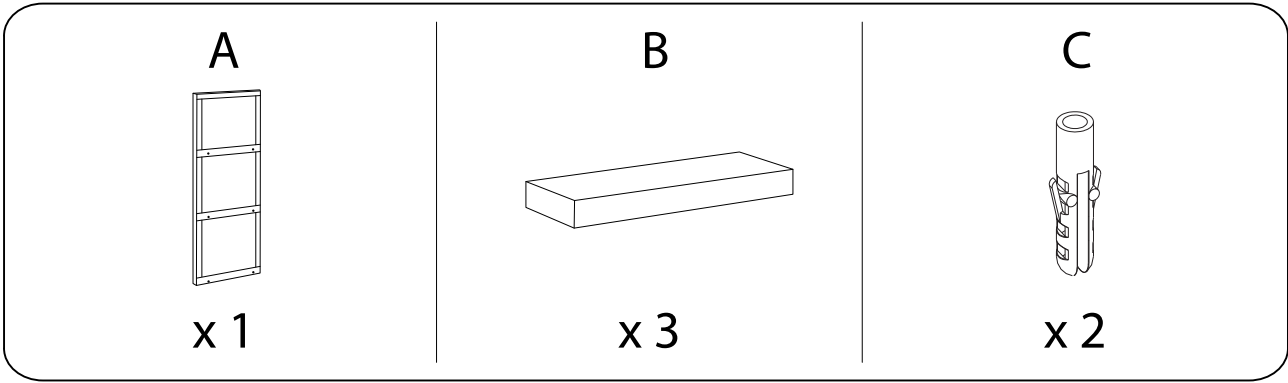


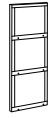
Diagram illustrating assembly steps and safety warnings:

- Step 1:** Shows a screwdriver and a power drill. A warning triangle with an exclamation mark is present. A clock icon indicates a time of **30'**.
- Step 2:** Shows a shelf being placed on a base. A warning triangle with an exclamation mark is present. A person icon indicates that **1** person is required.



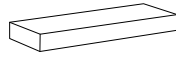
1

A



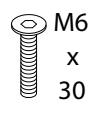
x 1

B



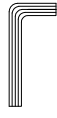
x 3

E

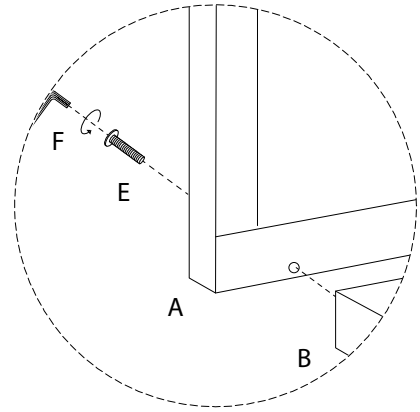
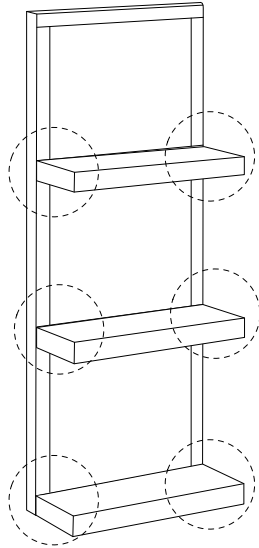


x 6

F

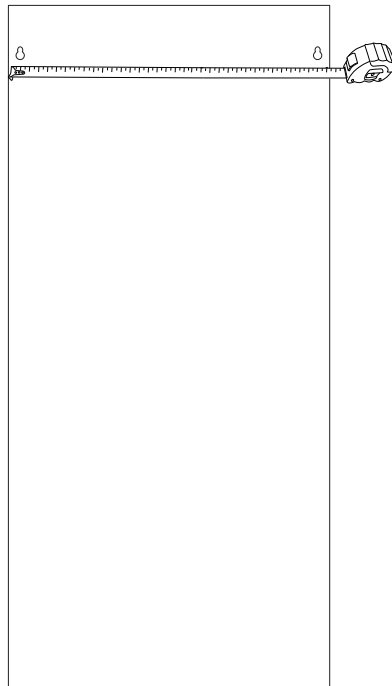


x 1

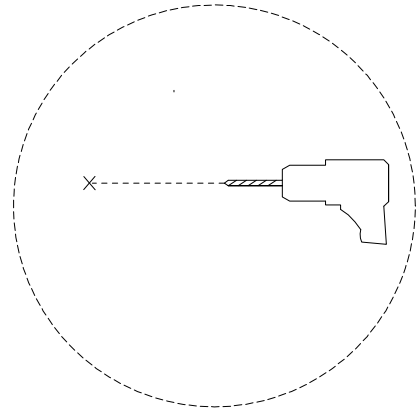
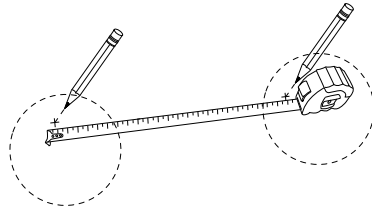


2


A

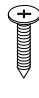


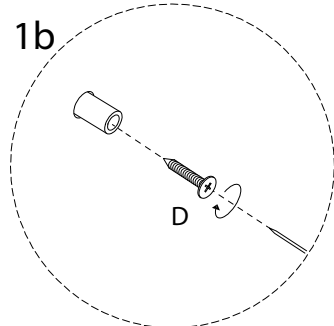
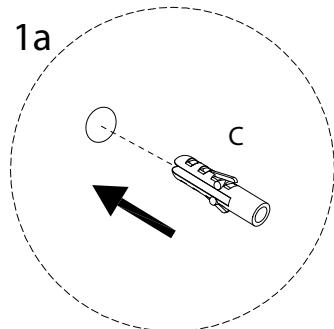
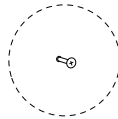
3



4

C

x 2

D
 M3
x
25
x 2



5

