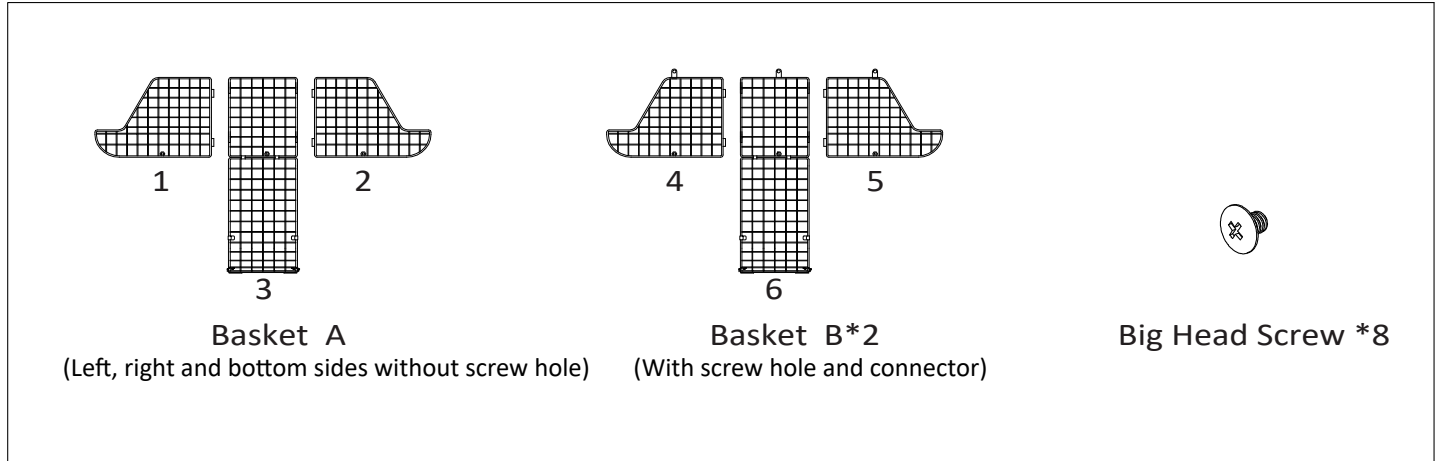


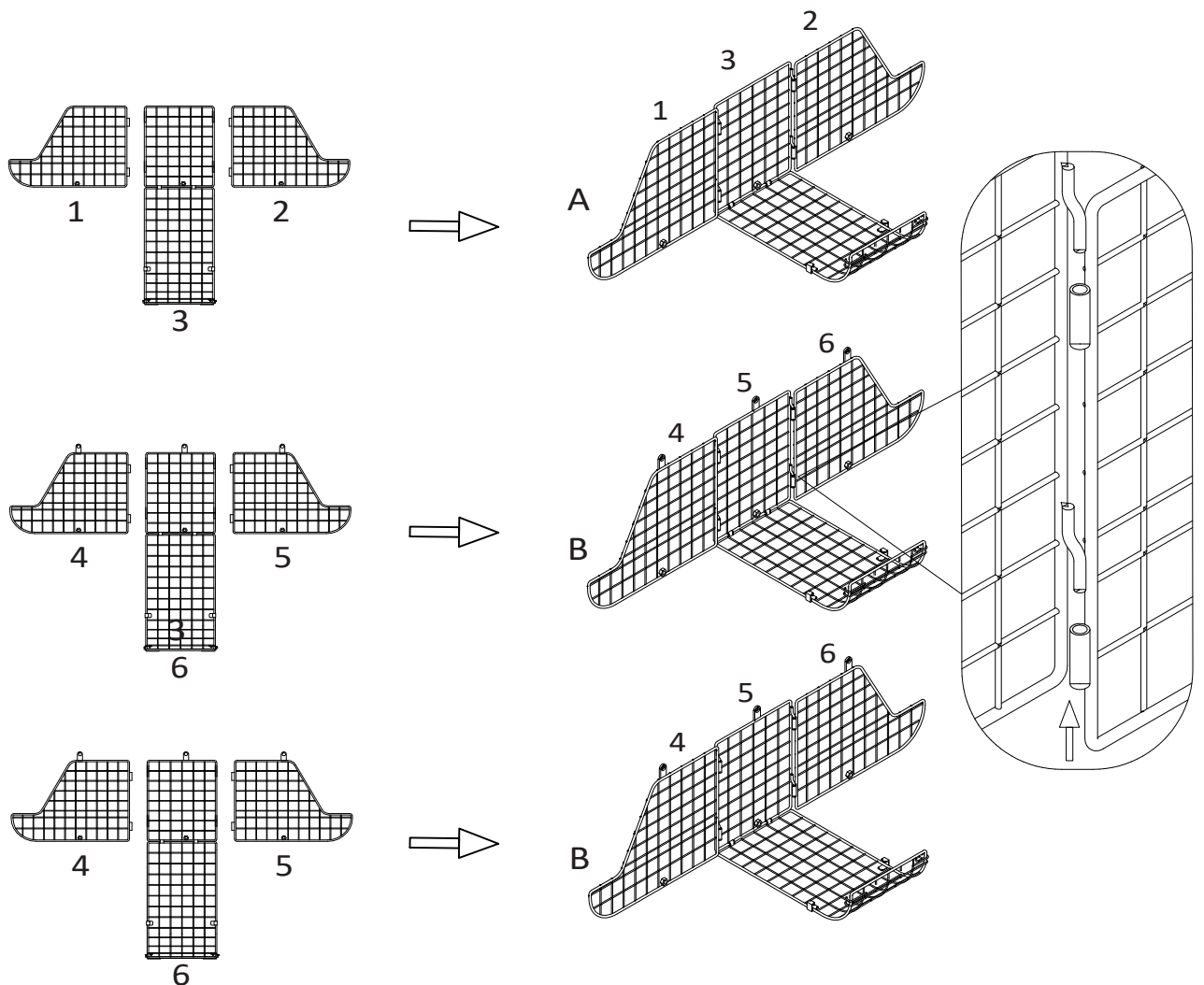
## Installation Instructions

### Accessories include

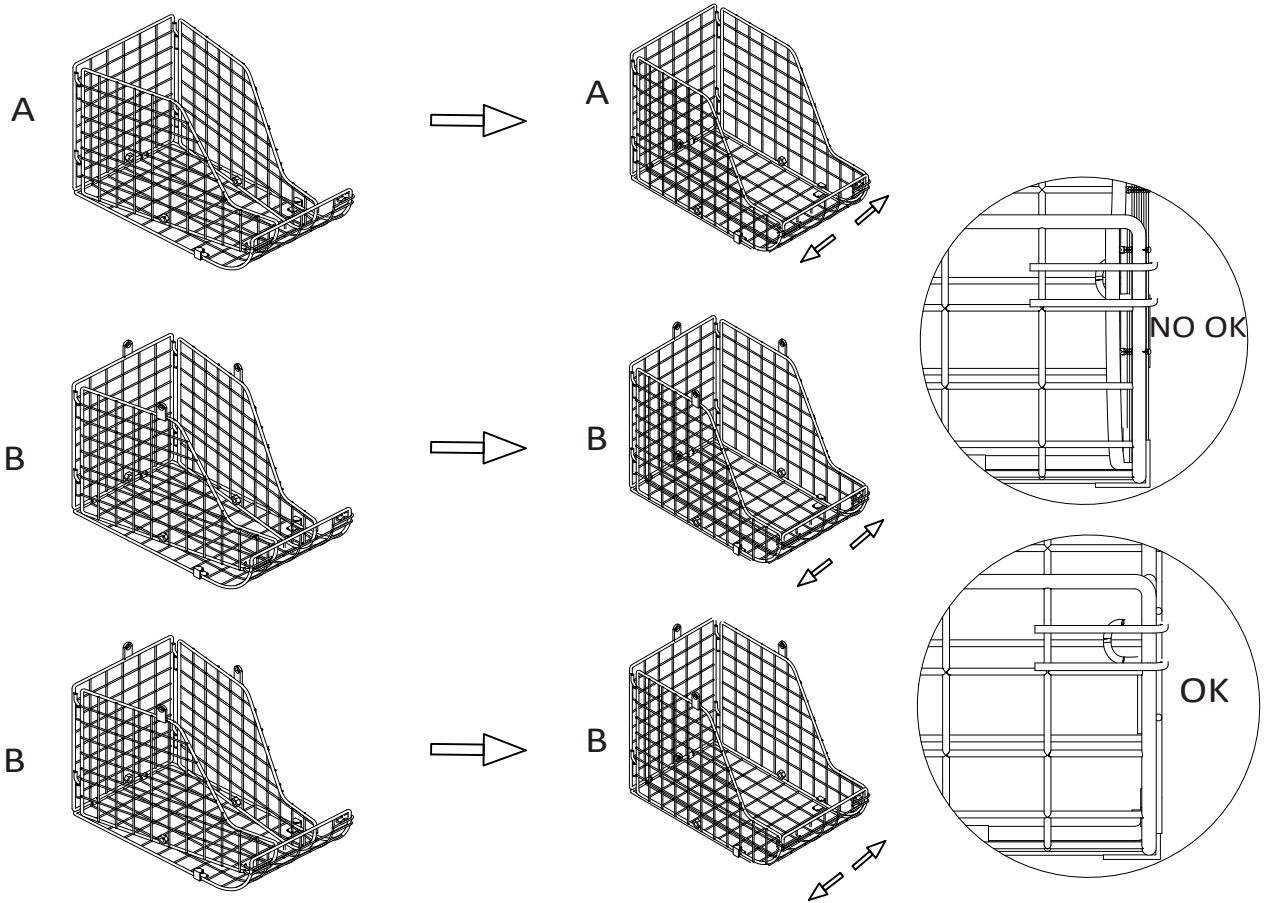


### Installation Steps

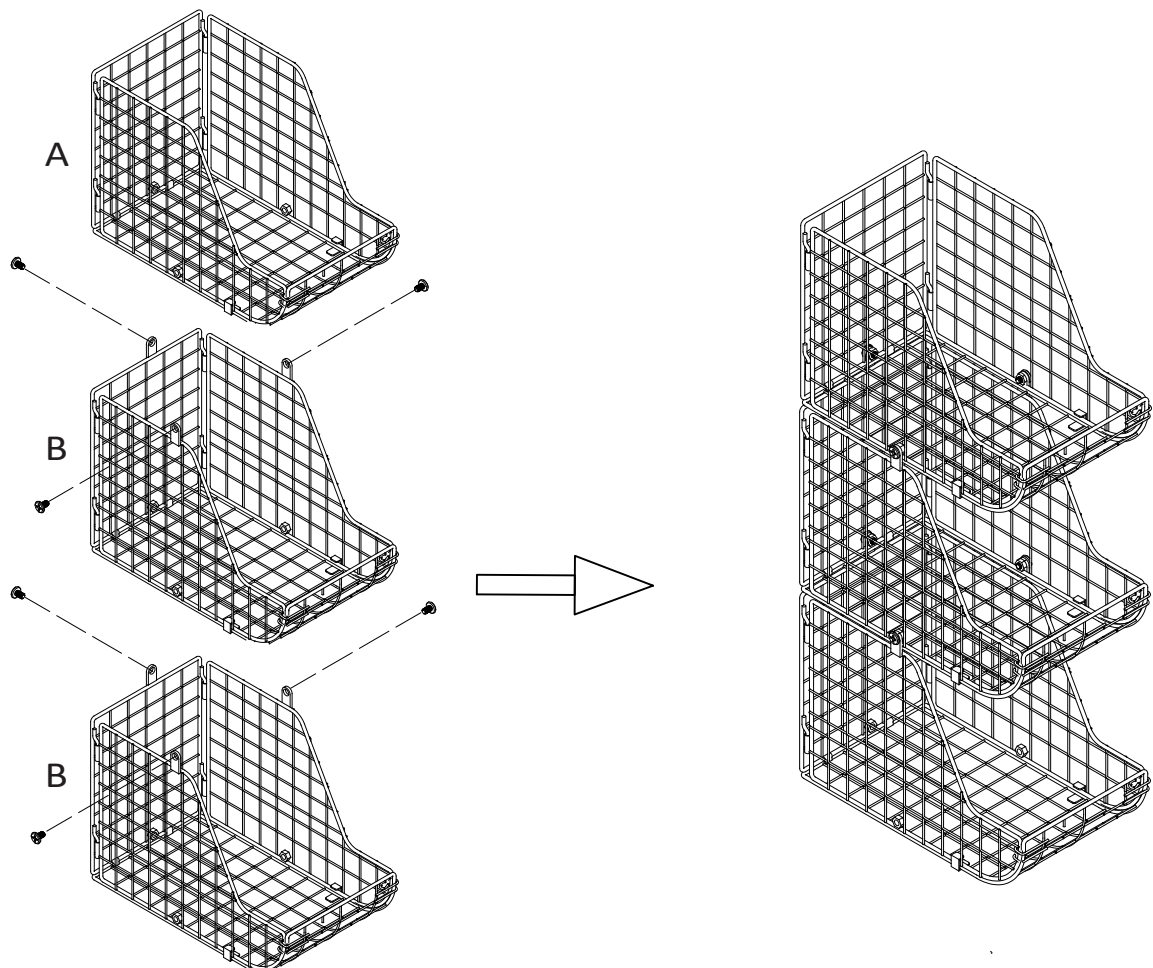
1. Tile the accessories, find out the basket accessories, respectively corresponding to the left and right connectors, and easy to embed the connectors from the bottom to up.



2. Tighten the buckles on 2 sides of basket and there would be a "CLICK" snap when you tighten buckle.



3.6 Screws should be used to connect the 3 storage baskets together.



Tip :You can stack 2 or 3 baskets. It would be very sturdy & durable. Also, you can use them separately. Nice storage baskets for cabinet, kitchen bedroom.