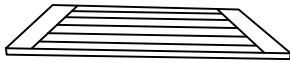


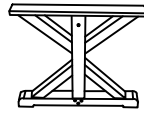
# ASSEMBLY INSTRUCTION

## DINING TABLE

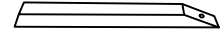
**A** Top **B** Legs **C** Side Rail



1pc



2pcs



2pcs

**D** Middle Rail

**E** Screw  
Ø5/16"x1-3/4"

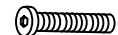
**F** Screw  
Ø5/16"x2-1/4"



1pc



8pcs



4pcs

**G** Flat Washer  
Ø5/16"

**H** Spring Washer  
Ø5/16"

**I** Allen Wrench  
Ø5/16"



12pcs

12pcs

1pc

**J** Bolt  
Ø5/16"x3-3/4"

**K** Half Moon Screw Nut  
Ø5/16"

**L** Screw Nut  
Ø5/16"x6mm

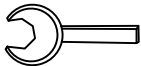


2pcs

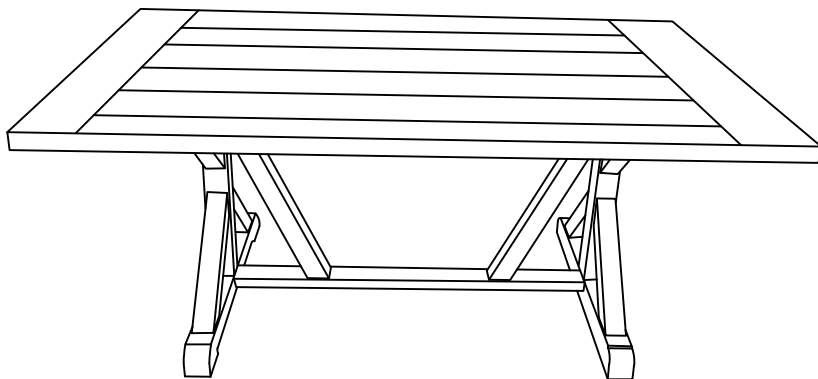
2pcs

2pcs

**M** Spanner  
Ø5/16"



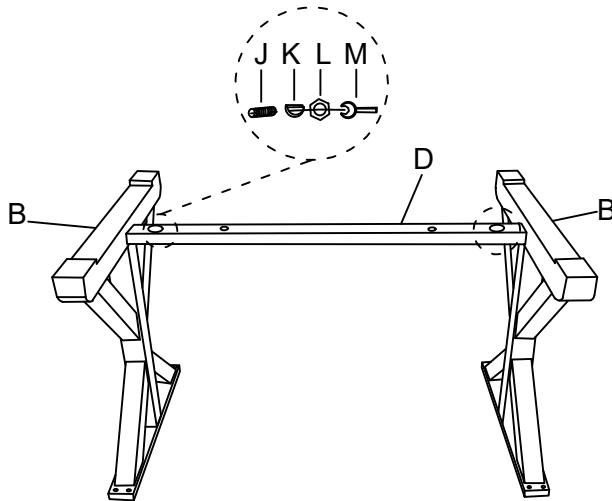
1pc



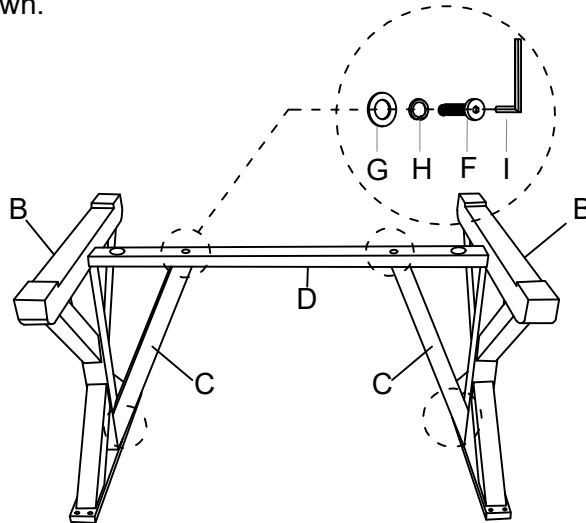
This page lists all the contents included in the box. Please take the time to identify the hardware as well as the individual components to this product. As you unpack and prepare for assembly, place the contents on a carpeted or padded area to protect them from damage.

\*\*\* Do not tighten screws & bolts until the entire unit is completely assembled.

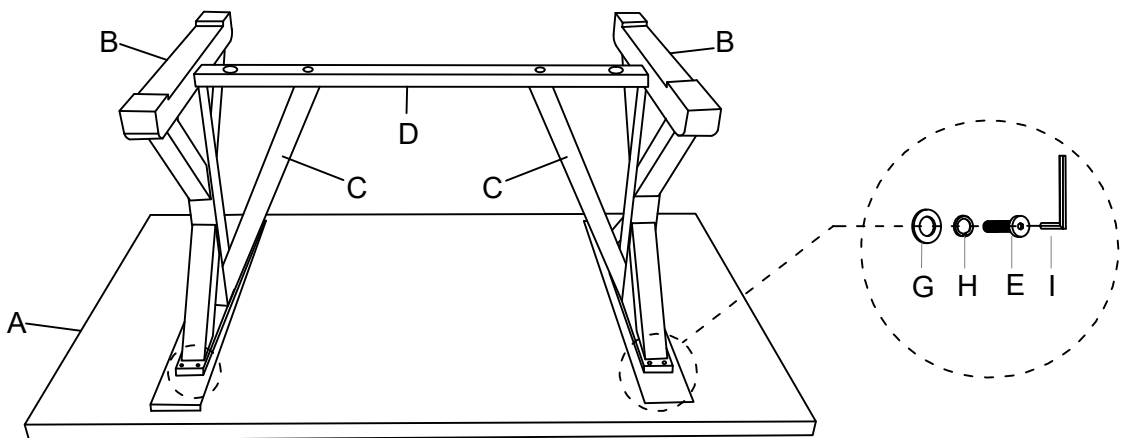
- 1 Attach Middle Rail (D) to Legs (B) by using Bolt (J), Half Moon Screw Nut (K), Screw Nut (L) and Spanner(M) as shown.



- 2 Attach Side Rail (C) to Legs (B) and Middle Rail (D) by using Screw (F), Flat Washer (G), Spring Washer (H) and Allen Wrench (I) as shown.



- 3 Attach Legs (B) to Top (A) by using Screw (E), Flat Washer (G), Spring Washer (H) and Allen Wrench (I) as shown.



## Cleaning & Care

Treat surface with care. Surface is resistant to scratches but is not scratch resistant. Clean surfaces with a dry or damp soft cloth. Do not use abrasive cleaners. Hardware may loosen over time. Periodically check that all connections are tight.