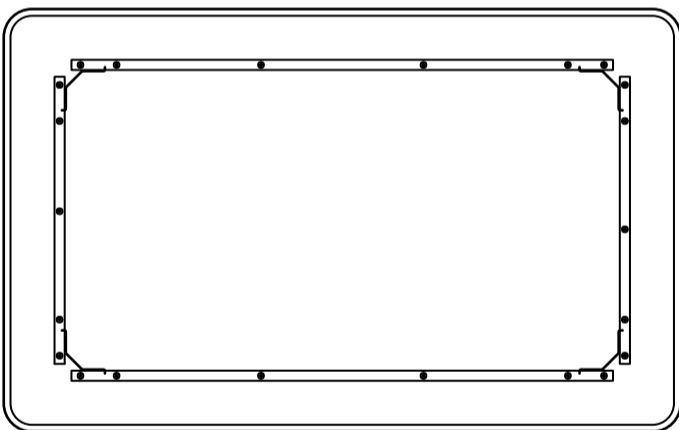
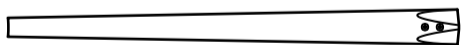


Wood Dining Table

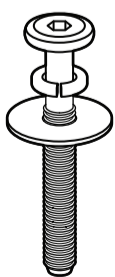
Components



A x 1pc



B x 4pcs



C x 8pcs



1pc

1-Year Limited Warranty Statement For Manufacturing Defects

Please read this Limited Warranty carefully. To maintain your Warranty, you will need to comply with the conditions stated here. This warranty is for manufacturing defects only and does not cover damages as a result of misuse.

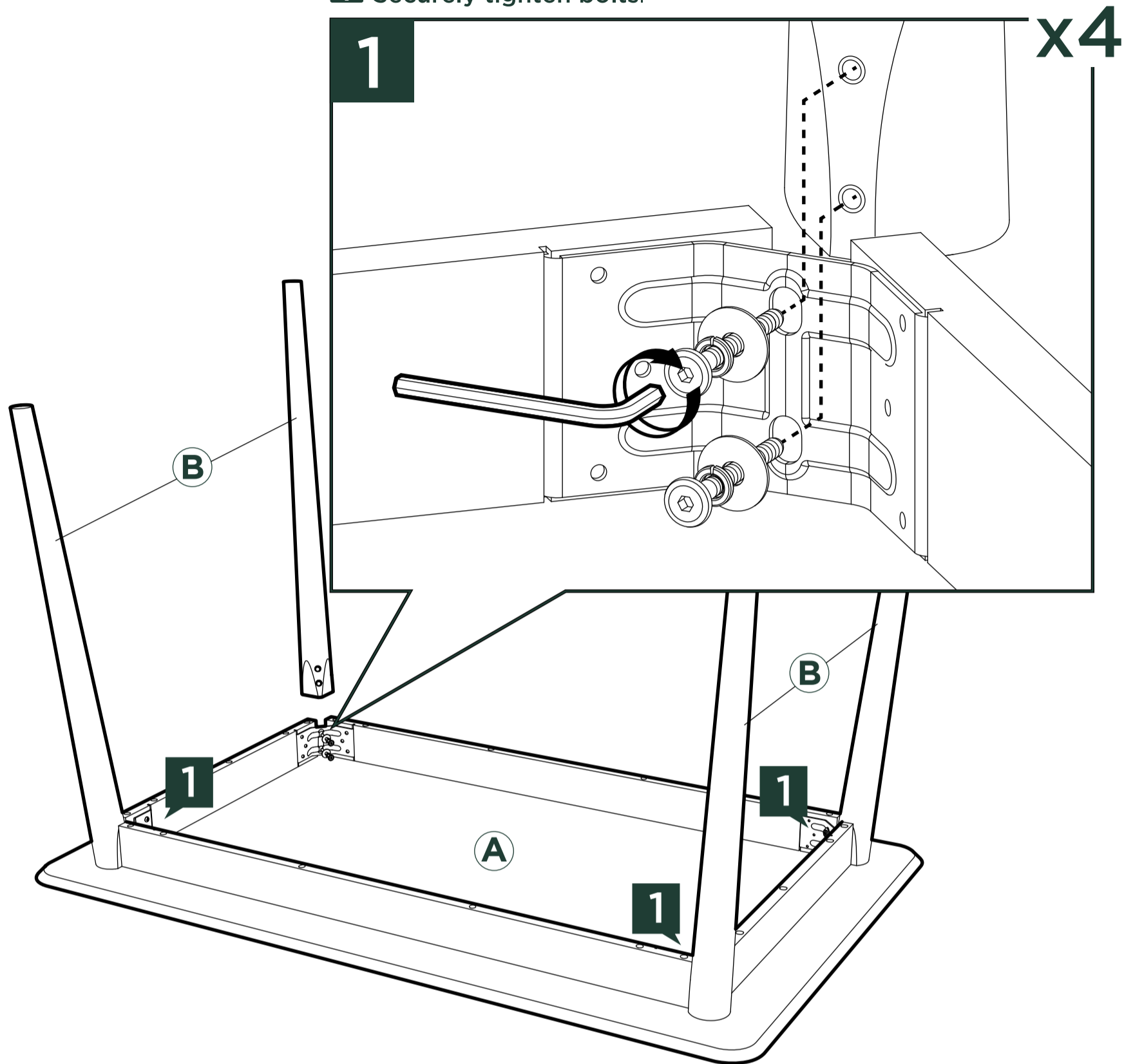
1. Your product comes with 1 year warranty against manufacturing defects. The warranty starts on the date of purchase. No warranty will be honored without an original sales receipt. The warranty and financial responsibility of the manufacturer only applies to product itself.
2. Manufacturing defects include circumstances where product has broken under normal use. Please use your furniture safely and for the purpose it is intended. Improper use can pose a risk of injury and damage to property. Do not allow children to play or climb on this furniture. Please move furniture properly by lifting not by pushing.
3. This warranty applies only when product has been properly used by consumers who purchased product from authorized dealers as a new product. Proper use means using on a level surface with an equal distribution of weight. Proper use also means that product was not abused by the consumer, as defined by the manufacturer. This warranty does not constitute agreement to replace other parts.
4. If product fails due to manufacturing defects, the manufacturer will repair or replace at its discretion and reserves the right to substitute comparable materials or models and does not guarantee that the replacement part will match existing pieces.
5. In the event product needs to be inspected by the manufacturer to determine a warranty claim, the transportation cost or removal cost is borne by the consumer.



This unit has been designed to support the maximum weight of 100 lbs. Exceeding this limit could cause sagging, instability, product collapse, and /or serious injury. Please make sure all objects are removed before moving the assembled unit

1

⚠ Securely tighten bolts.



2

