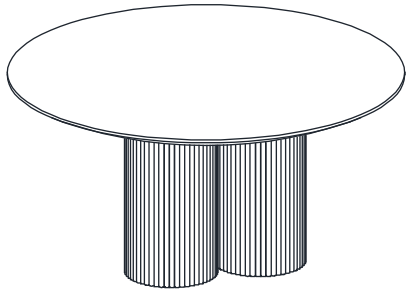


ASSEMBLY INSTRUCTIONS



+ Do Not Use Power Tools



+ Suggested Adults



NOTE:

- 1 Read instructions cover to cover.
- 2 Save all packaging until assembly is completed.

1 IMPORTANT SAFETY INFORMATION

Do not assemble the product if any of the following parts arrived damaged:

PART# ① -Table Top

PART# ② -Base

2 IMPORTANT ASSEMBLY INFORMATION

Assembly Step 1: Use wrench C to drive B fitted with iron plate A to connect part ② in top

Assembly Step 2: Use wrench C to drive B fitted with iron plate A to connect part ② in bottom

Assembly Step 3: Use wrench C to drive B fitted to fasten ② to ①

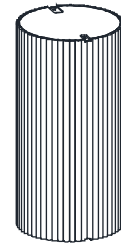
***Warning:** Do not over tighten screws, or it could damage the Table Top.

+ Parts Included

- ① Table top (1/pc)



- ② Base (3/pcs)



+ Hardware Included

A Iron plate
(9/pcs)



B boltsM6X19
(18/pcs)

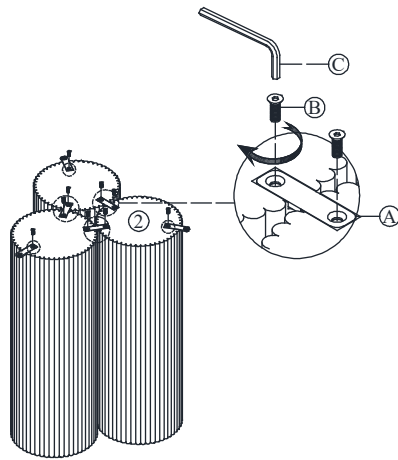


C 4# wrench
(1/pc)

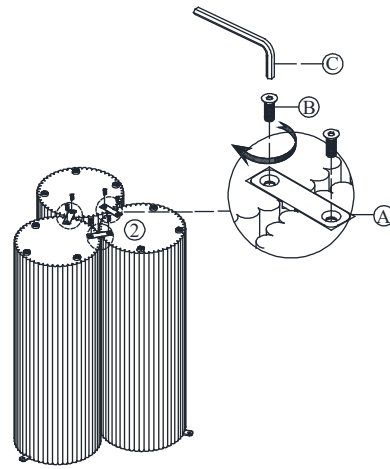


ASSEMBLY INSTRUCTIONS

1

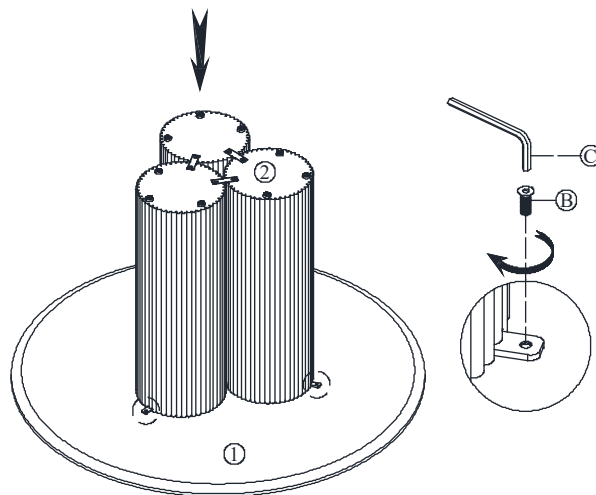


2



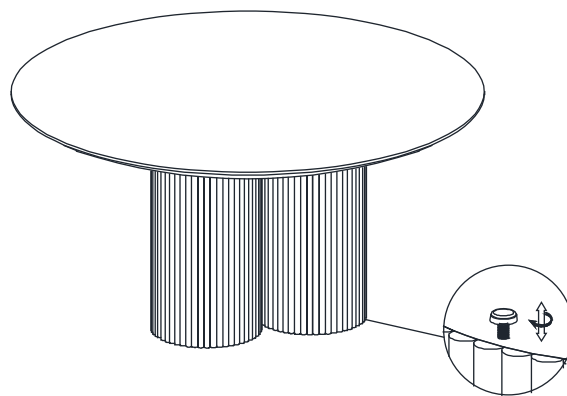
Note: Do not over tighten screws

3



Note: Do not over tighten screws

4



The assembly of the table is complete