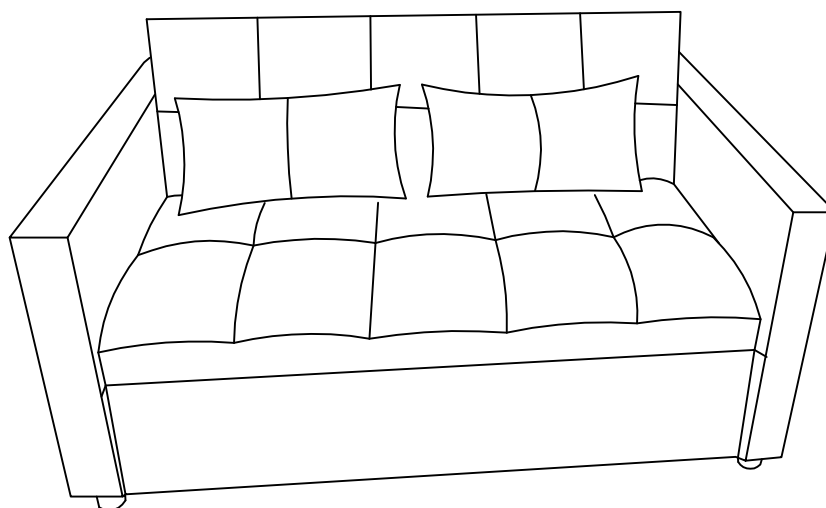


## Sleeper Sofa Bed Assembly Instructions



### Attention

1. Please check the manual carefully and make sure you have received all the parts in three boxes as listed below.
2. Assemble step by step. Feel free to contact us if you have missing parts or questions during assembly.
3. We recommend to assemble the sofa bed with 2 people.
4. The sofa cover cannot be removed. A dust collector can help if it is dirty.

## Before install it, please see these attentions

### FAQ

Q1:Missing pillow and srcews

A2:The pillow and screws are placed in the sofa base - Part [ A &P].

Please open the cloth of the these parts and take out all the accessories.

If you still can't find these accessories, please check the parts list and tell us the missing part numbers. We will serve you asap.

Q2:Can't be adjust the backrest.

A2: This sofa bed has three adjustment levels of  $105^{\circ}$  ,  $143^{\circ}$  ,  $180^{\circ}$  .

When a clicking sound is heard, it means that a gear has been successfully adjusted. If it can't be adjusted, the hinge may be damaged. Please take a video and contact us via Amazon Messages for help.

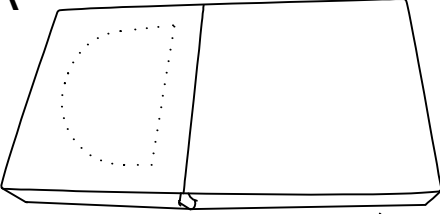
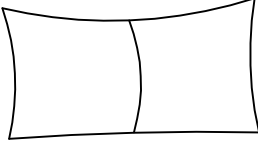
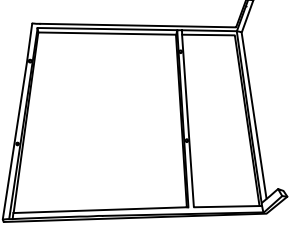
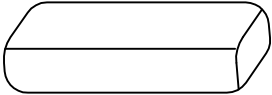



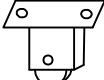





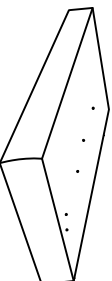
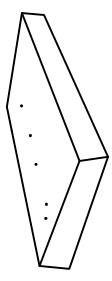
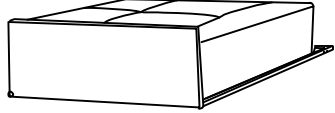
Q3: Some parts damaged when arrived. Such as Part E or Part G.

A3:Please send clear photos about damaged part to us as attachment via amazon message, we will check and offer you best solution soon, don't worry.

Q4:The armrest can't be installed or the hole position is not uniform, which makes it impossible to install or difficult to install.

A4:Please secure all the screws by 70% before completely install chair.

# Parts List

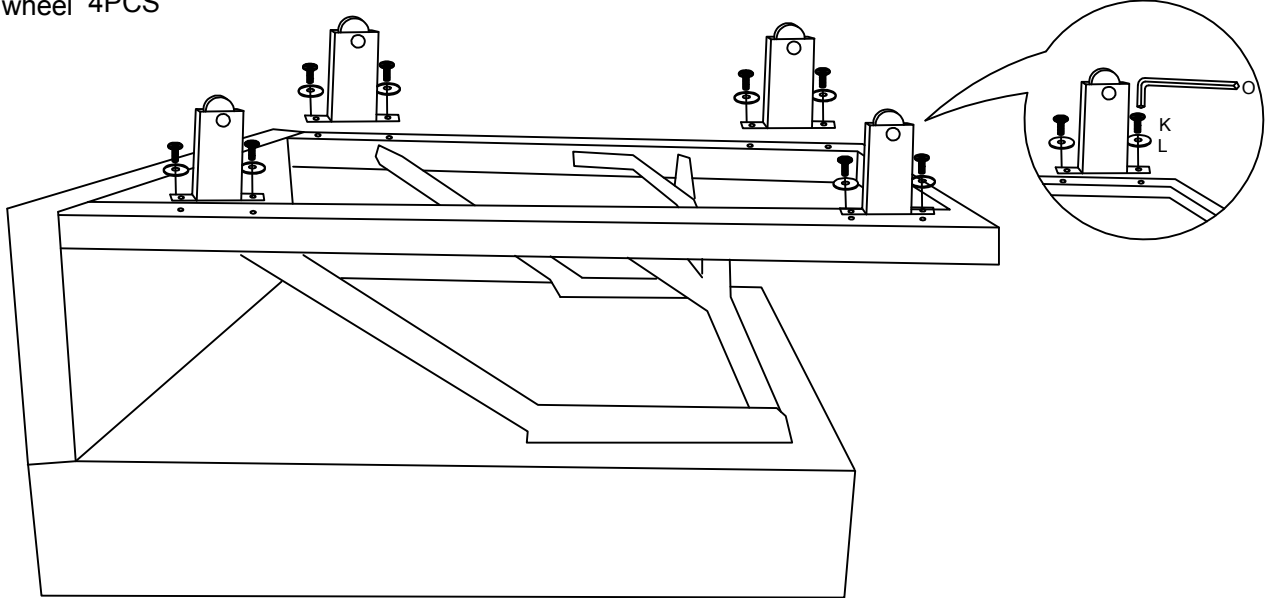
|  |   |  |  |
|--|---|--|--|
| <p><b>A</b></p>  <p>Seat 1PC</p>              | <p><b>B</b></p>  <p>Pillow 2PCS</p>           | <p><b>E</b></p>  <p>Frame base 1PC</p>      |  |
| <p><b>Hardware Package ( P ) Parts List</b></p>  |   |  |  |
| <p><b>P</b></p>  <p>Hardware Package 1PC</p> | <p><b>G</b></p>  <p>Leg<br/>4PCS</p>           | <p><b>M</b></p>  <p>Caster<br/>2PCS</p>     | <p><b>N</b></p>  <p>Caster<br/>2PCS</p>       |
|  | <p><b>O</b></p>  <p>Pulley wheel<br/>4PCS</p> | <p><b>H</b></p>  <p>Hex key (M8)</p>        | <p><b>I</b></p>  <p>Hex key (M6)<br/>1PC</p> |
|  | <p><b>J</b></p>  <p>M8*50mm<br/>14PCS</p>    | <p><b>K</b></p>  <p>M6*15mm<br/>16PCS</p> | <p><b>L</b></p>  <p>Washer<br/>22PCS</p>    |
|  | <p><b>C</b></p>  <p>Left Arm 1PC</p>         | <p><b>D</b></p>  <p>Right Arm 1PC</p>       | <p><b>F</b></p>  <p>Rear bed part 1PC</p>   |

## STEP 1

K M6\*15mm 8PCS

L Washer 8PCS

O Pulley wheel 4PCS



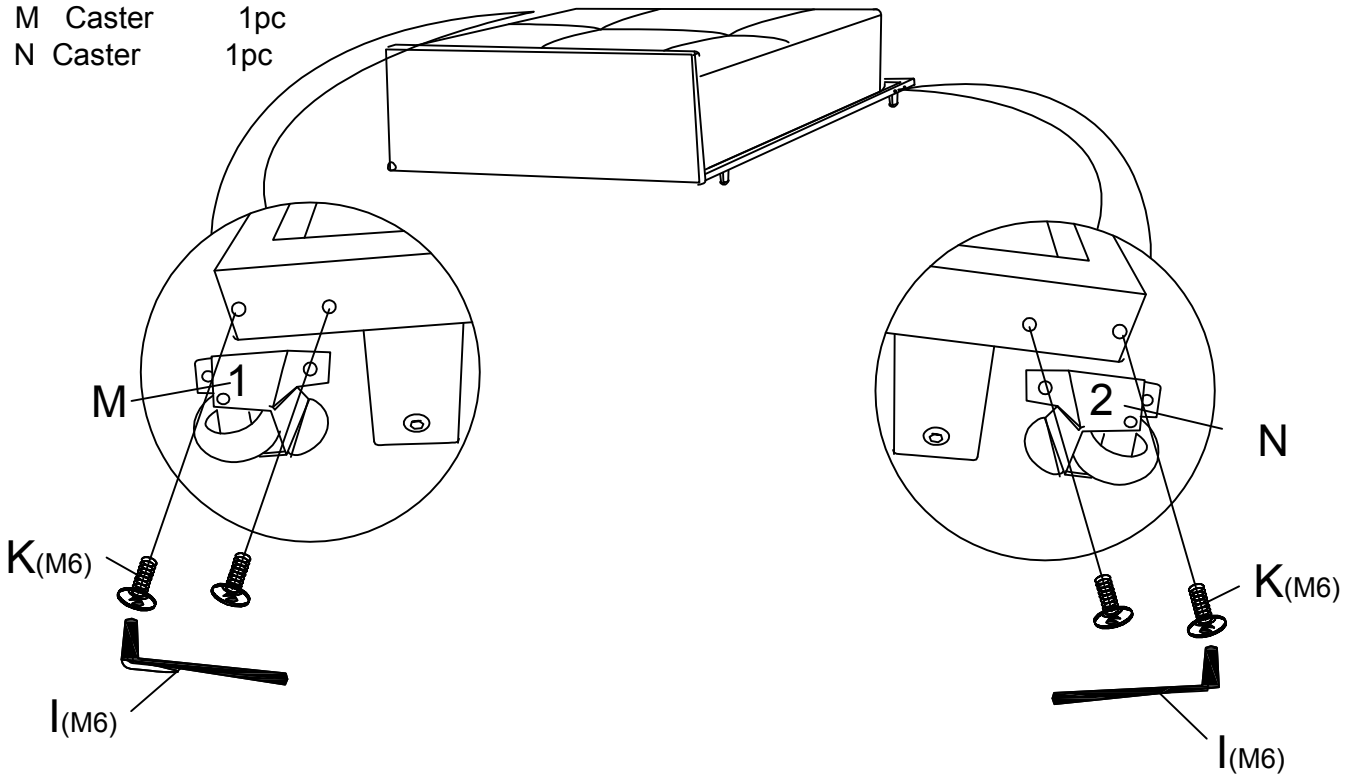
## STEP 2

Assemble Tip : When installing the wheel, please keep the side with number upward.

K M6\*15mm 4PCS

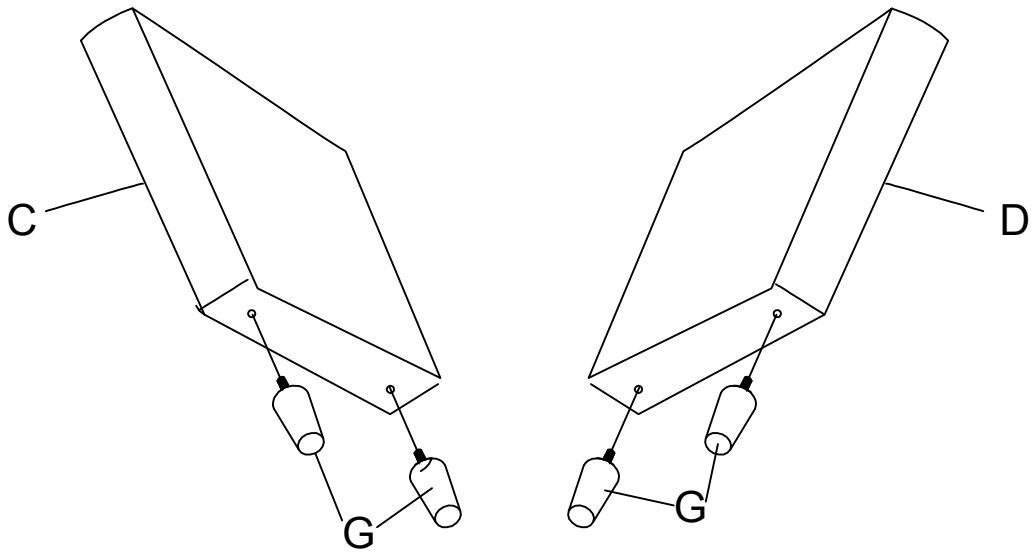
M Caster 1pc

N Caster 1pc



# STEP 3

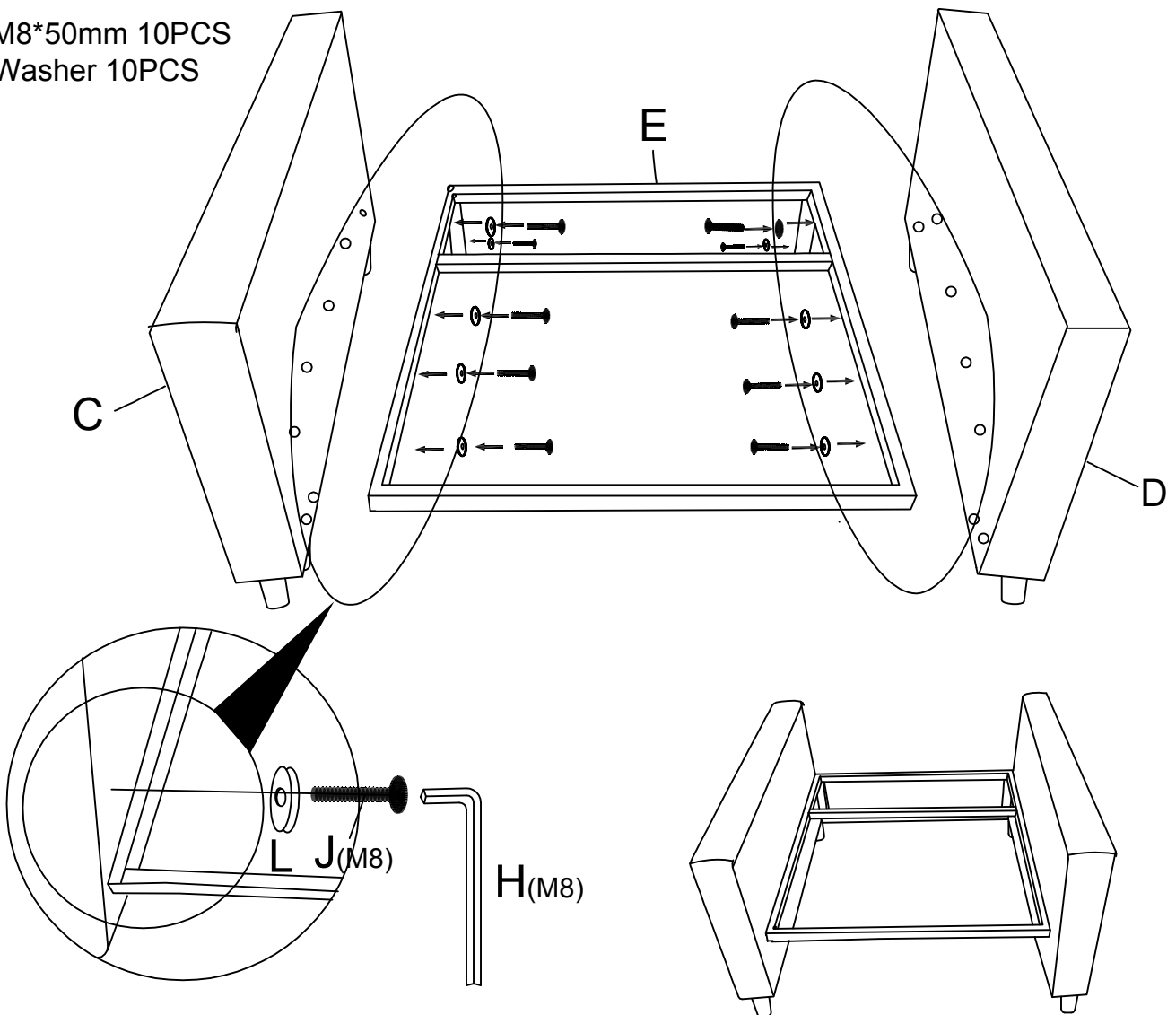
---



# STEP 4

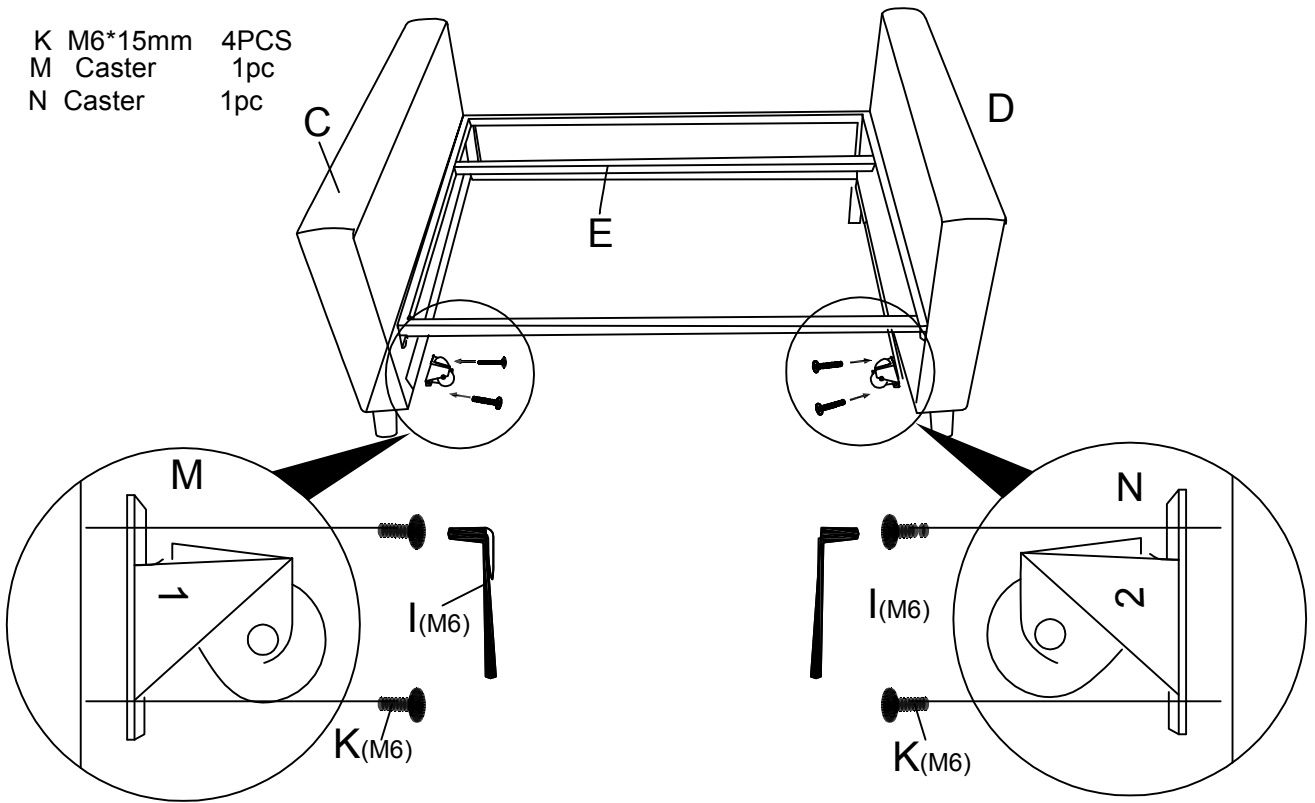
---

J M8\*50mm 10PCS  
L Washer 10PCS

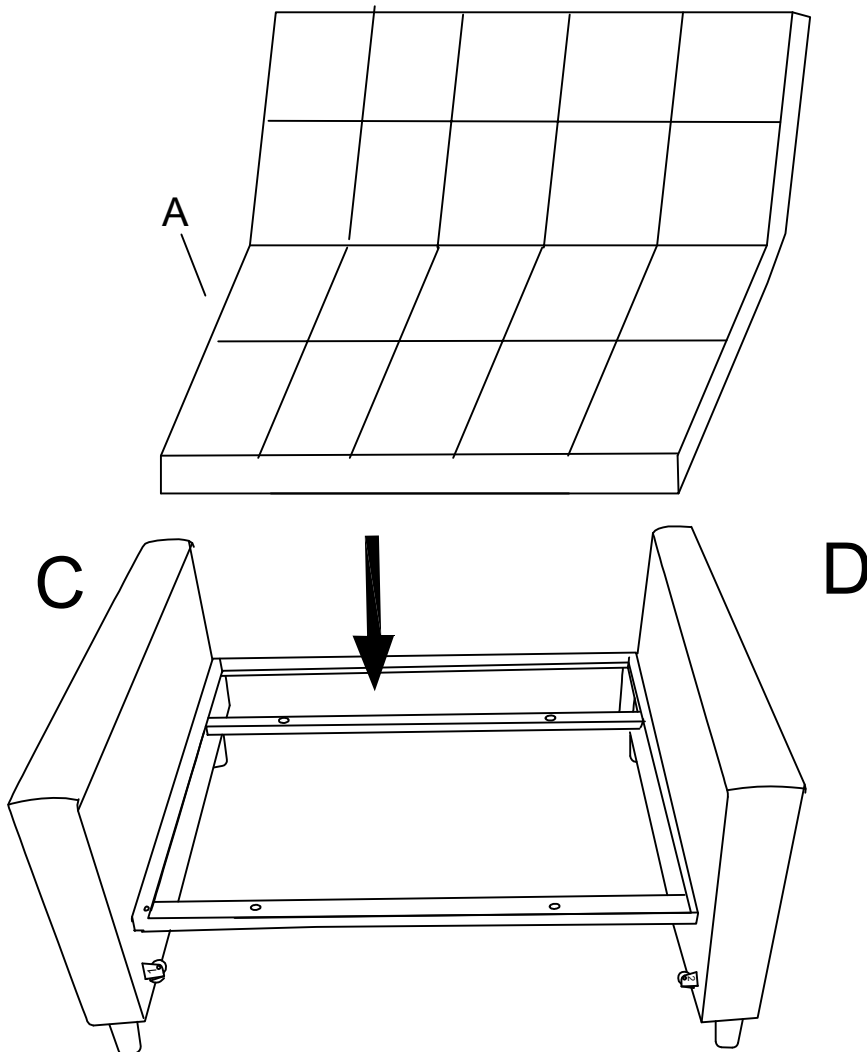


# STEP 5

- K M6\*15mm 4PCS
- M Caster 1pc
- N Caster 1pc



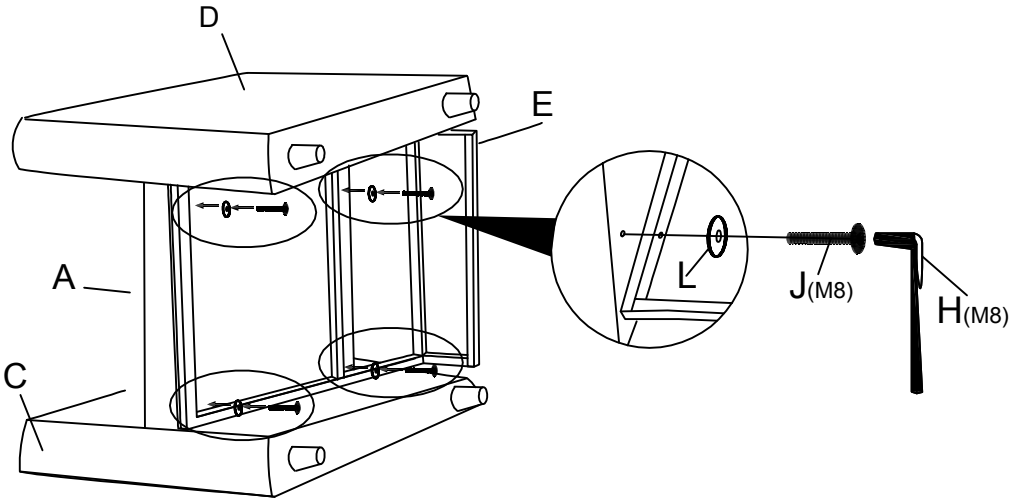
# STEP 6



**STEP 7**

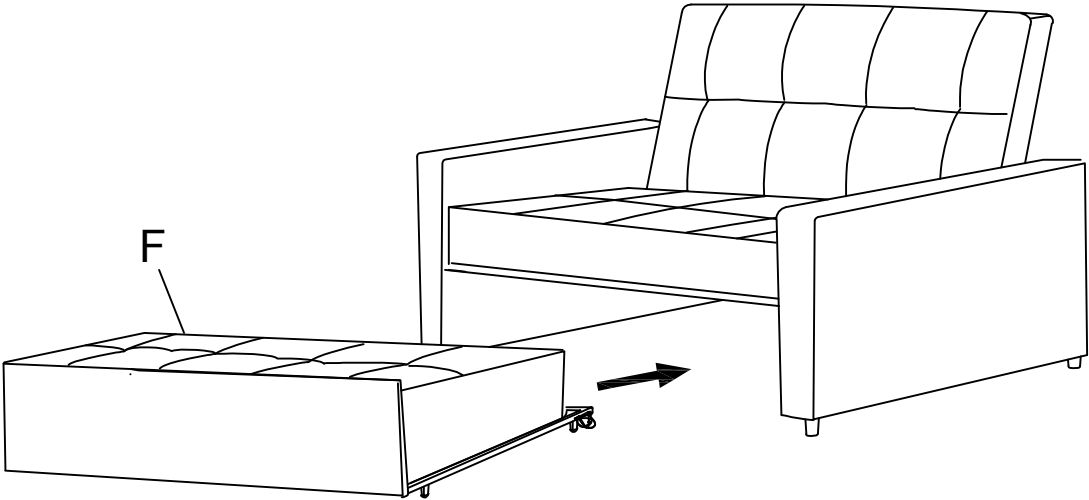
---

J M8\*50mm 4PCS  
L Washer 4PCS



**STEP 8**

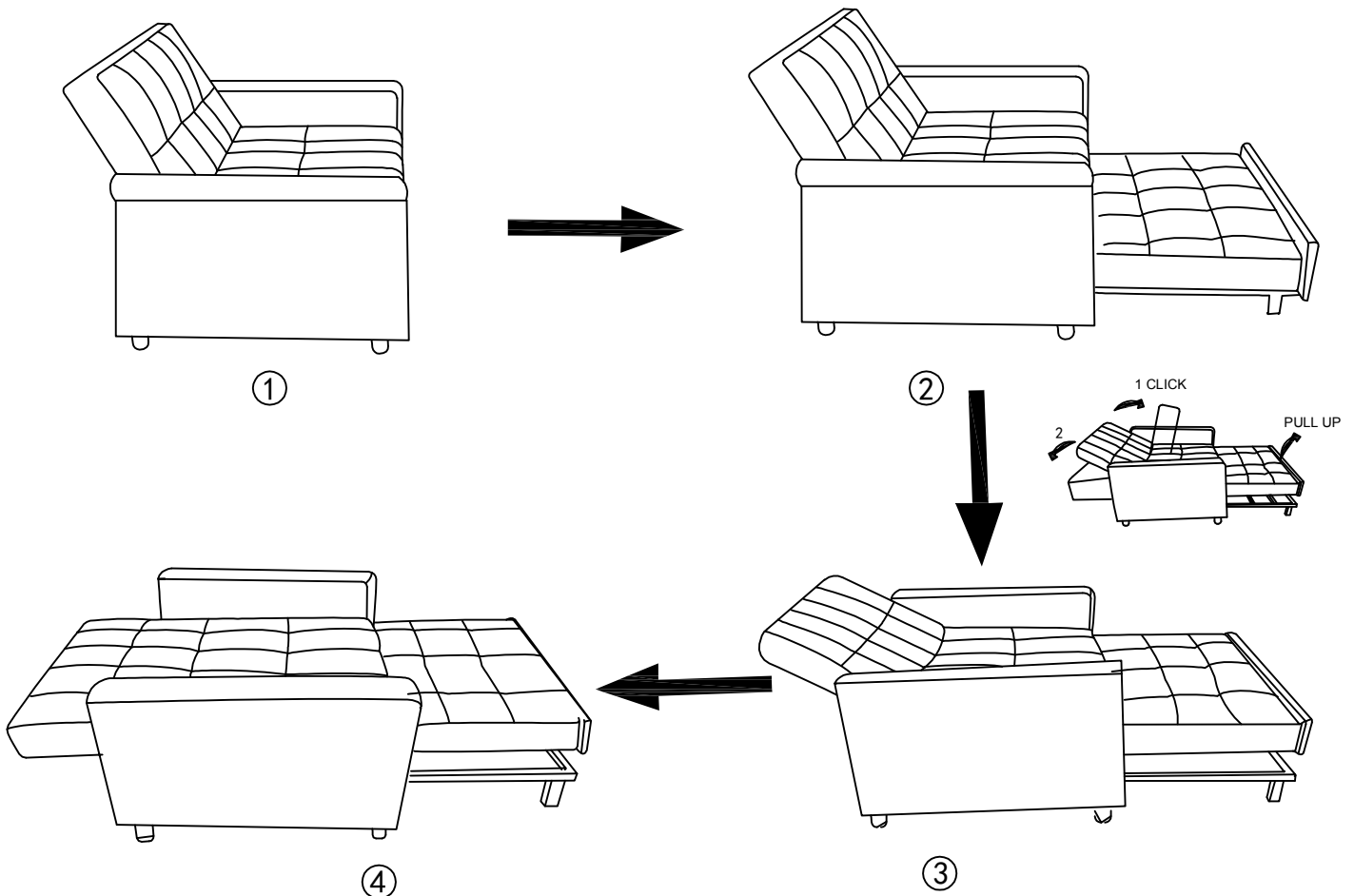
---



### Multifunctional Sofa Bed with Convertible Positions

1. When you want to convert the sofa to bed, pull out the lower part, take the loop tie to move the rear bed part up until it is in horizontal level with the seat part.
2. Push the back part twice to lie down it.

3. On the contrary, when you want to convert the bed to sofa, just push the back part twice to up position.
4. Pull up the loop tie on rear part to make it back to lower position. Push back it and then it will become a sofa.



3. On the contrary, when you want to convert the bed to sofa, just push the back part twice to up position.

4. Pull up the loop tie on rear part to make it back to lower position. Push back it and then it will become a sofa.

