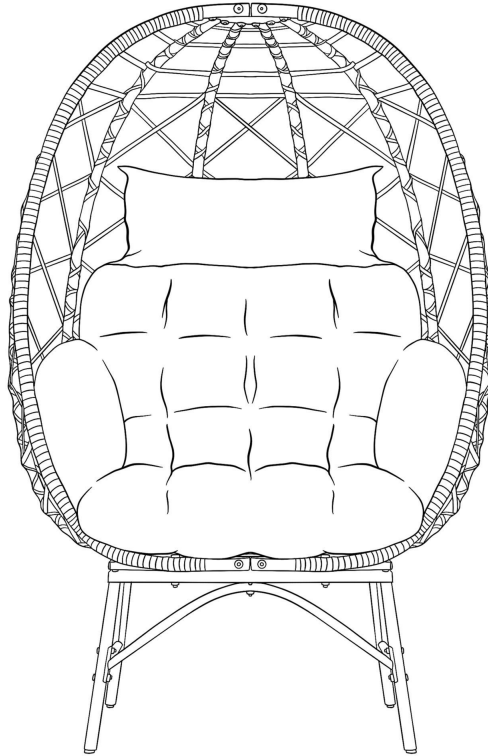


# **SWITTE Wicker Egg Chair Installation Instructions**

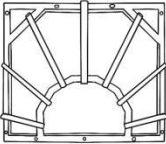
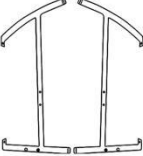

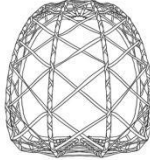






**EASY  
ASSEMBLY**

---

**Assemble in  
15minutes  
or less**

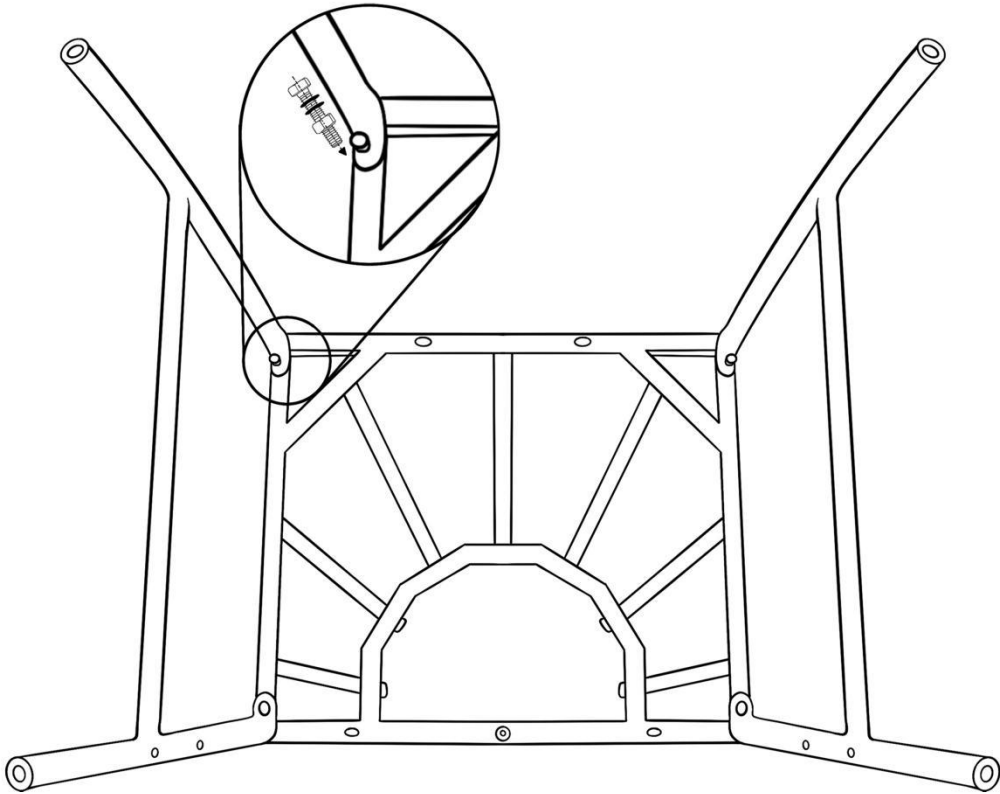
# Parts List

Accessories									
	<b>A</b>	<b>1</b>	<b>B-left</b>	<b>B-right</b>	<b>C</b>	<b>1</b>	<b>D</b>	<b>1</b>	
									
	<b>E</b>	<b>1</b>							
Tools									
	<b>M8, 20mm</b>	<b>12</b>	<b>M6, 40mm</b>	<b>13</b>	<b>M6, 55mm</b>	<b>4</b>			

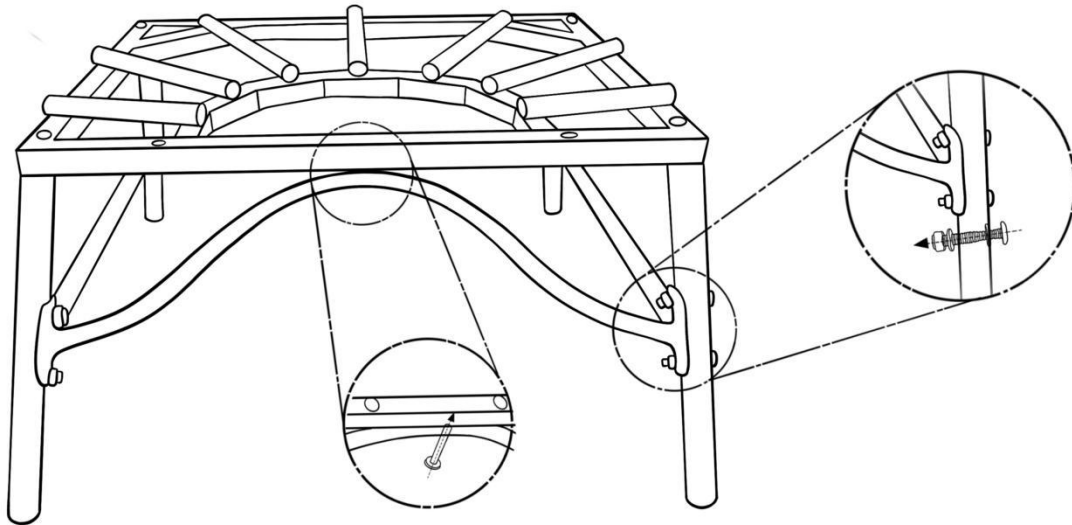
If you encounter any installation problems, please contact us directly!

**Step 1:**

Secure the legs (B) to the fittings (A) with 4 screws (M6, 40mm)

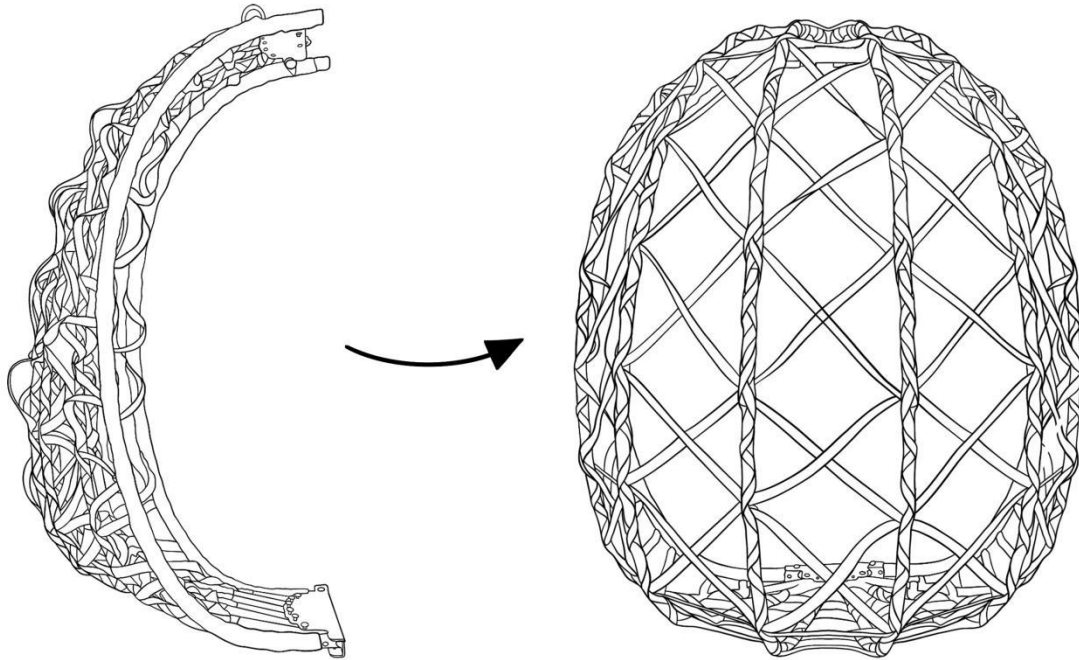


**Step 3: Secure Accessory (C) to the chair legs (B) using 4 screws (M6, 40mm)**



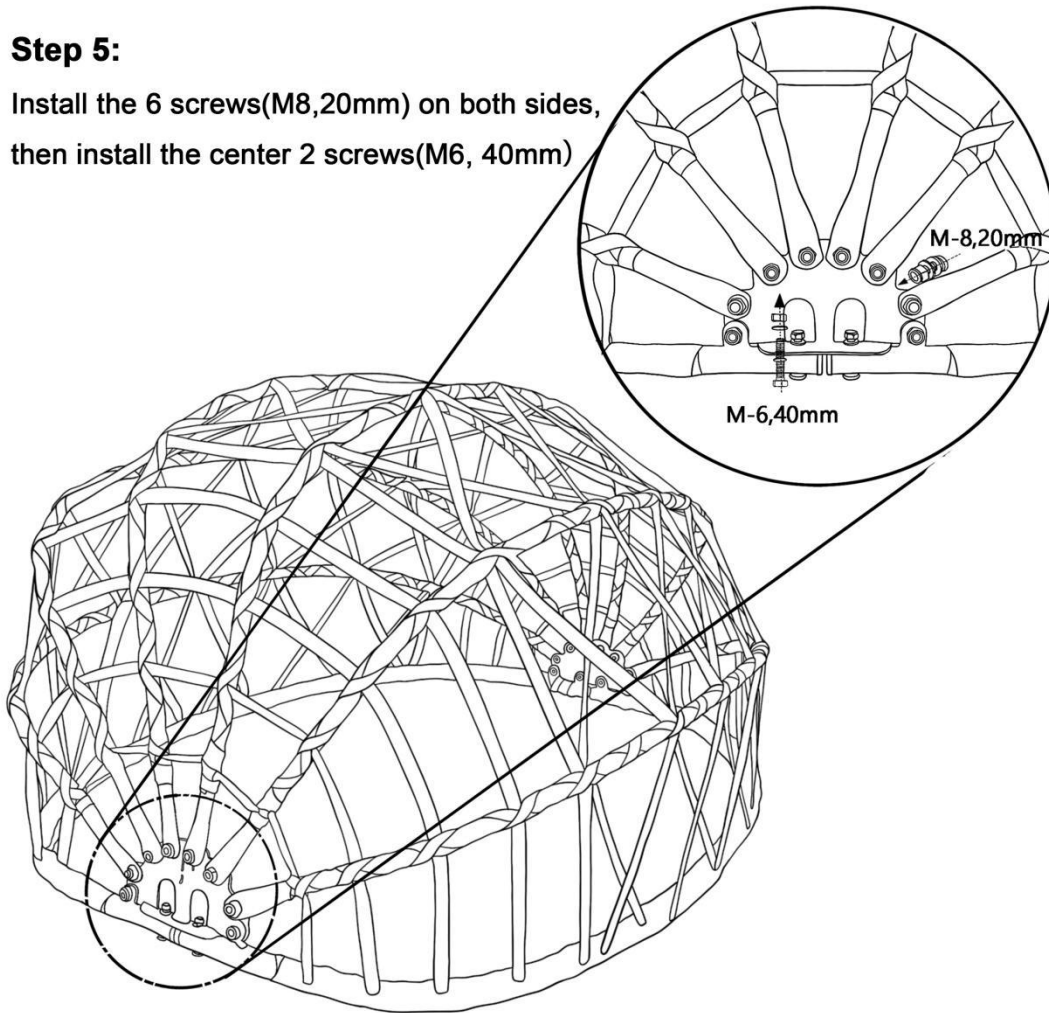
**Step 2:**  
Connect the Accessory (C) to the Accessory (A) with the 1 screw (M6, 40mm)

**Step 4: Simply flip the chair base (D) over**



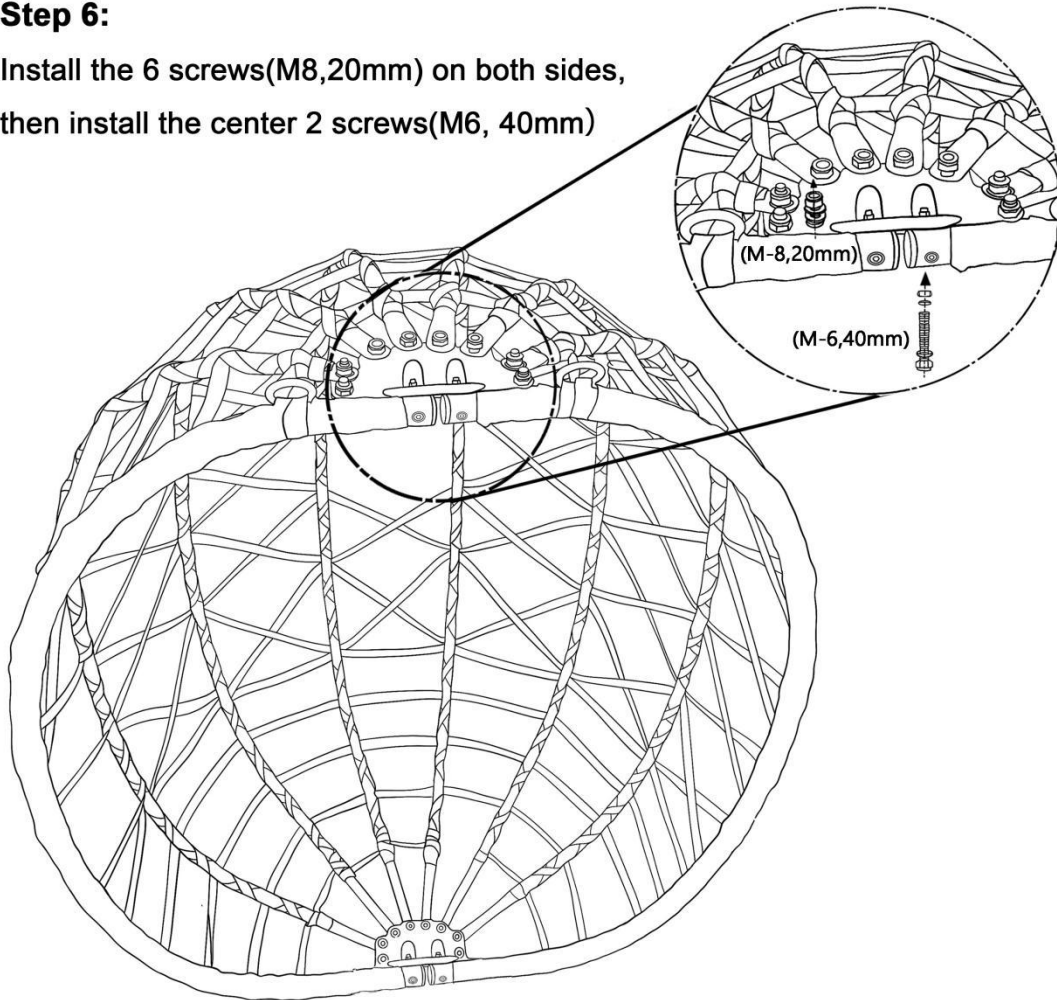
**Step 5:**

Install the 6 screws(M8,20mm) on both sides,  
then install the center 2 screws(M6, 40mm)



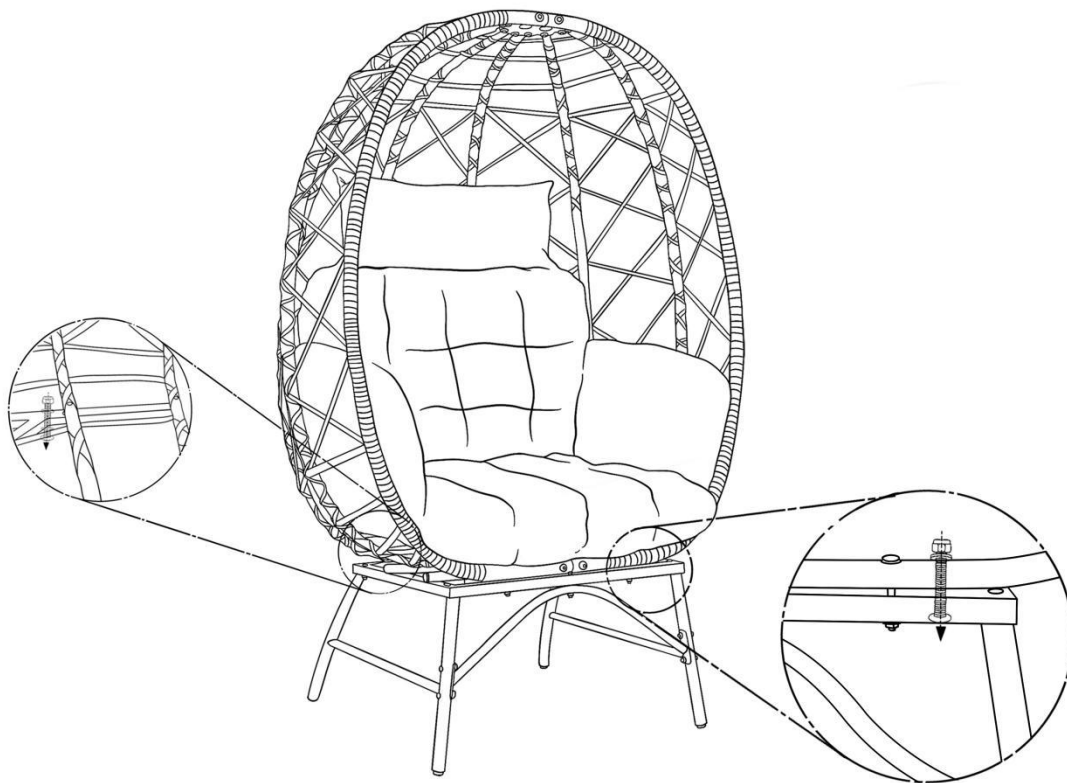
**Step 6:**

Install the 6 screws(M8,20mm) on both sides,  
then install the center 2 screws(M6, 40mm)



**Step 7:**

Secure the basket (D) to the base with 4 screws  
(M6, 55mm)



**Note: Accessory C marks the front of the chair.**