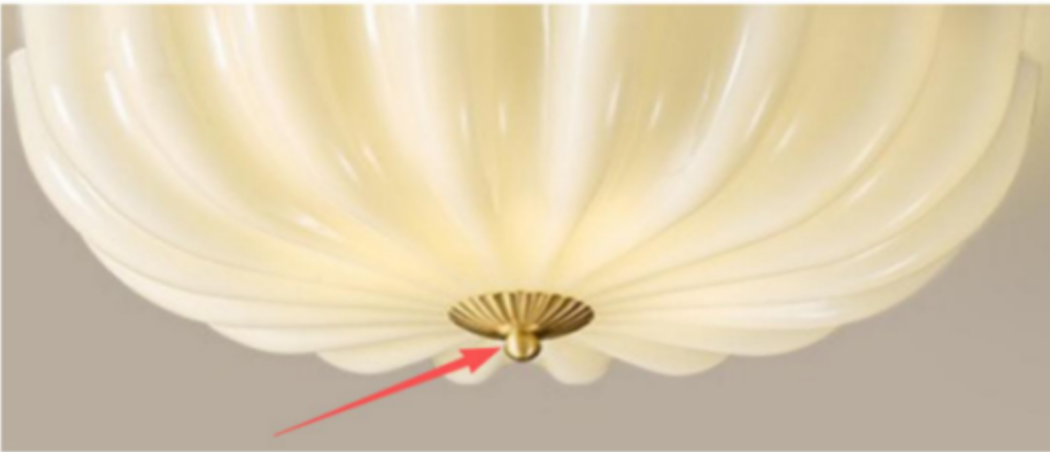
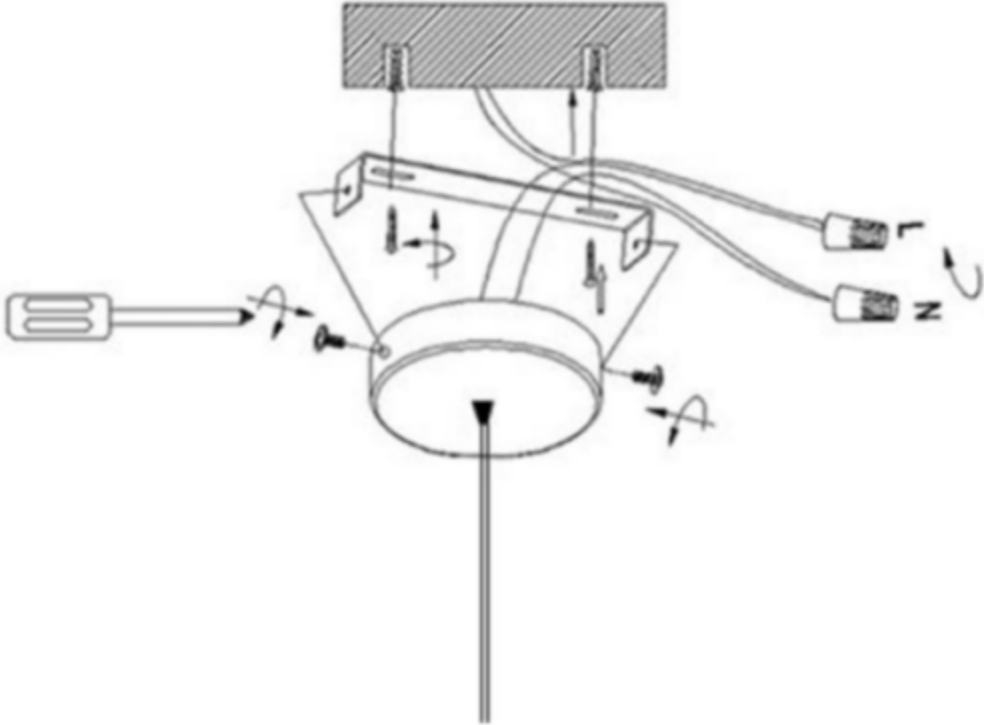


Assembly Instructions



Assembly and installation method



STEP 1

Remove the mounting bracket and mark its position on the ceiling.

STEP 2

Install the expansion tube at the marking on the mounting bracket.

STEP 3

Install the ceiling canopy and fix it to the expansion tube with expansion screws.

STEP 4

Connect the lamp wires to the ceiling wires.

Wiring steps: Connect live line to wire color Black/Red from the hanging cord of Fixture Body. Connect neutral line to wire color White/Blue from the hanging cord of Fixture Body

STEP 5

Fix the ceiling canopy to the mounting bracket.

STEP 6

Attach the white glass lampshade, then place the gold decorative cover on top, and tighten the round cap screw.

Your fixture is now assembled and ready to use.