

UIXE

ASSEMBLY INSTRUCTIONS

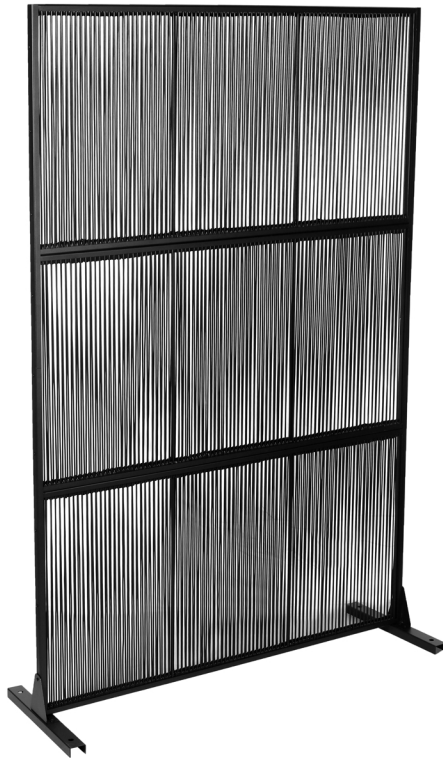
Tel.5627813327

Please contact us: info@firstopintl.com

<https://www.dreamsidea.com>

UIXE

INSTRUCTION
MANUAL



OS-R

ITEM NO. OS-R

WARRANTY

WE STRIVE TO OFFER HIGH-QUALITY PRODUCT AND WE ALSO TRY OUR BEST TO SATISFY EACH CUSTOMER THAT ORDERS FROM US WITH PRODUCT OR SERVICE AS NEEDED. EACH CUSTOMER RECEIVES A RECORD OF THEIR ORDER, SUCH AS THE ORDER NUMBER OR ITEM RECEIPT. FOR ANY ITEMS THAT ARE OUT OF THE WARRANTY PERIOD, YOU MAY STILL RECEIVE REPLACEMENT PARTS BY PURCHASING THEM FROM OUR COMPANY IF THEY ARE AVAILABLE.

Are you having difficulty
with assembly? Missing parts?

Please contact us : info@firstopintl.com

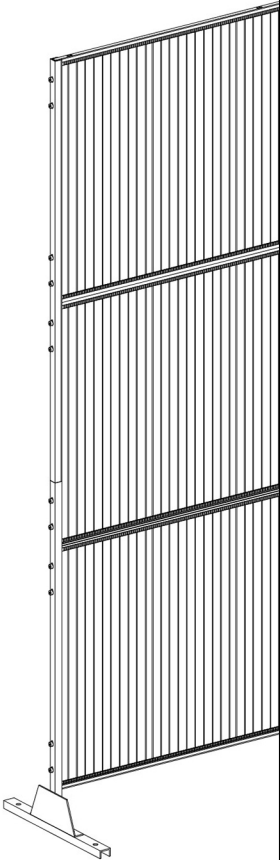
Tel.5627813327

send an email with your order No. to us

For return, please check the return policy with
the retailer or market place you bought from.

Appreciate your purchasing from us.

Pop up your life by our furniture !

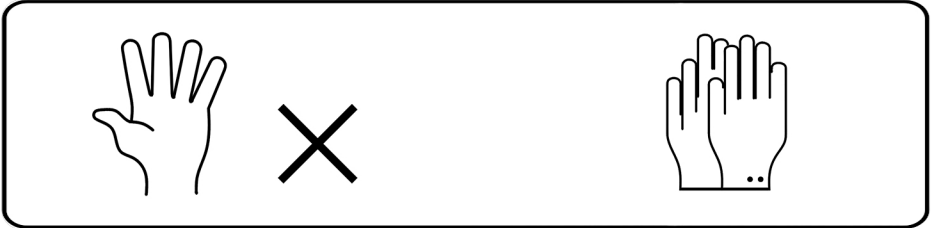




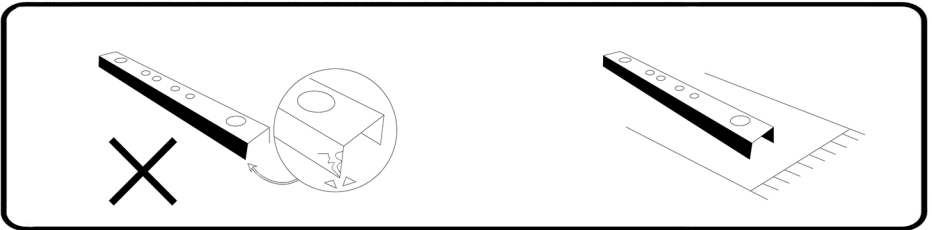
IF THE PRIVACY SCREEN WILL BE USED IN A STRONG WIND AREA,
WE HIGHLY RECOMMEND YOU USING FOUR HEX-HEAD SLEEVE
ANCHORS TO FIX THE PRIVACY SCREEN ON SOLID GROUND.

BEFORE ASSEMBLING, WE RECOMMEND:

1. WEAR GLOVES



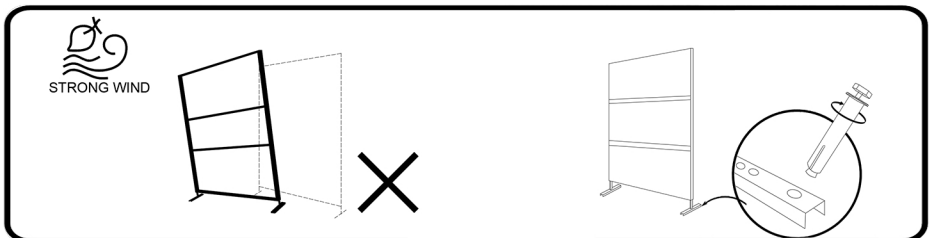
2. DON'T ASSEMBLE THE PRIVACY SCREEN ON A HARD SURFACE



3. ASK FOR A HELPING HAND

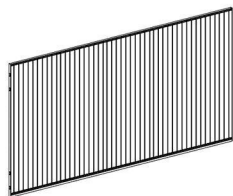


4. USE HEX-HEAD SLEEVE ANCHORS TO FIX THE PRIVACY
SCREEN ON SOLID GROUND IF NECESSARY



PARTS

①*3



Screen

②*2



Top sidebar

③*2



Bottom sidebar

④*2



Standing Foot

HARDWARE

⑤*8



Socket Head Bolt

⑥*18



Phillips Bolt

⑦*1



Allen key

BE SURE TO CHECK ALL
PACKING MATERIAL
FITTING THE PACKING
LIST. BE CAREFUL FOR
SMALL PARTS, WHICH
MAY HAVE COME
LOOSE INSIDE THE
CARTON DURING
SHIPMENT.

⑧* 4



Ground needle

⑨*1



Screwdriver

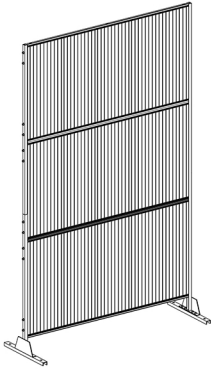
⑩* 4



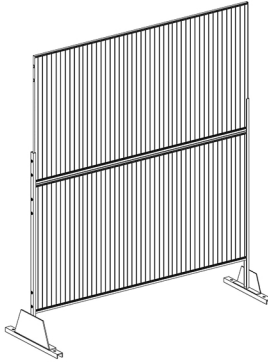
Expansion screw

DIFFERENT COMBINATIONS

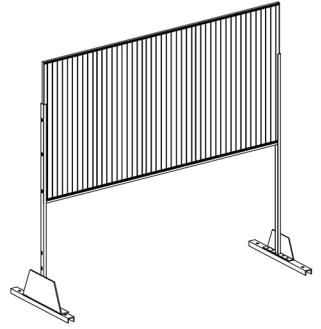
- HORIZONTAL INSTALLATION



THREE SCREENS
1 - 9



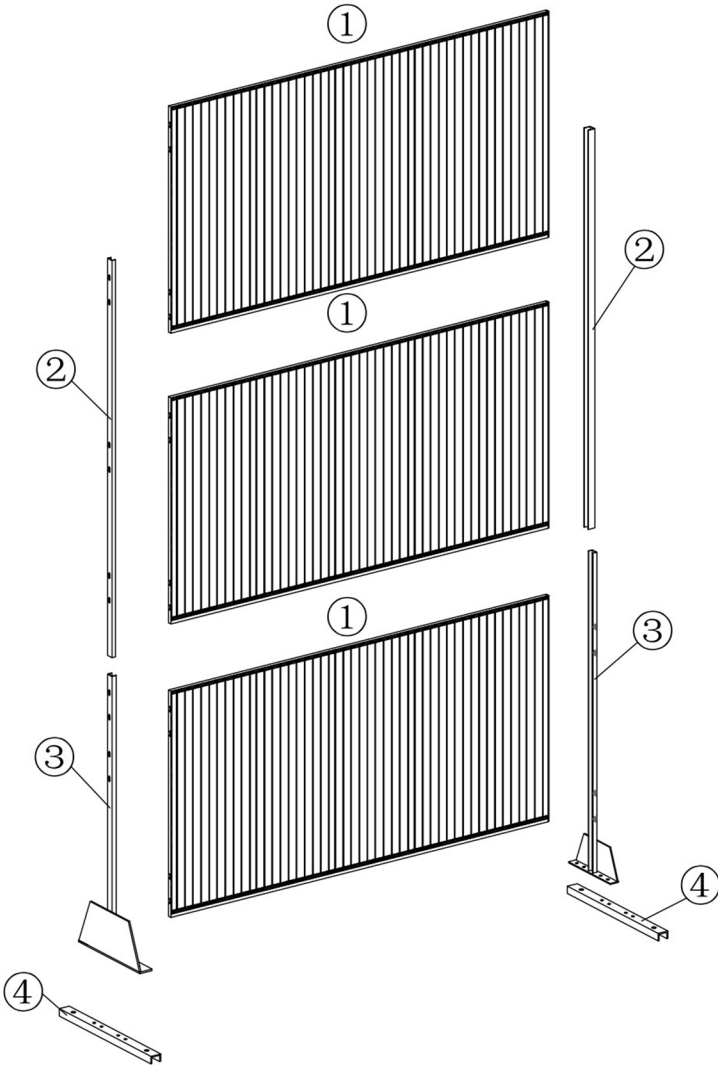
TWO SCREENS
10 - 14



SINGLE SCREEN
15 - 17

HORIZONTAL INSTALLATION

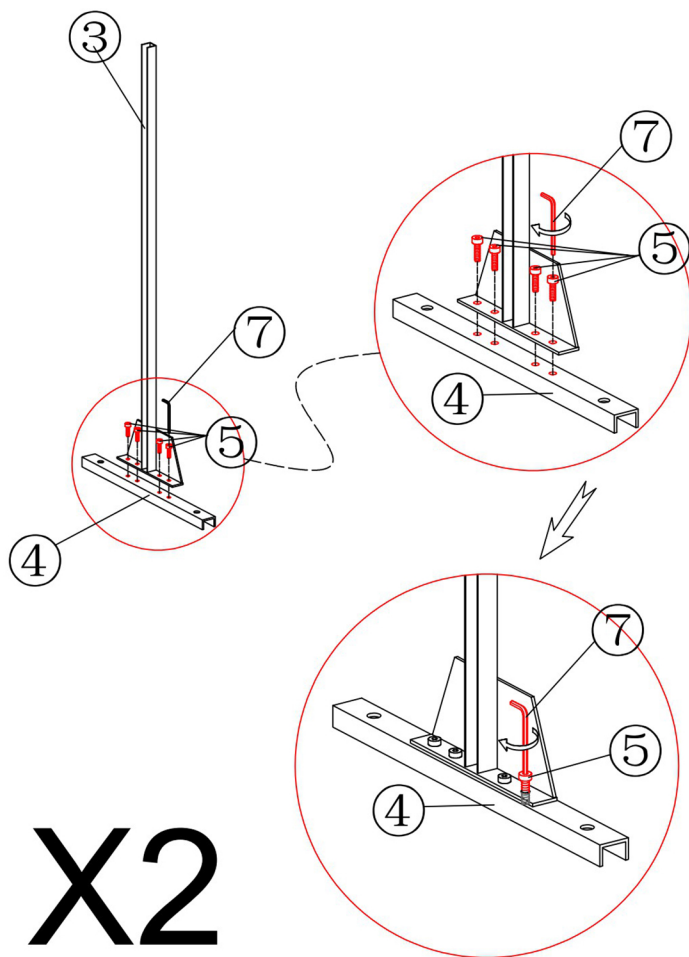
EXPLODED VIEW - THREE SCREENS



step 1

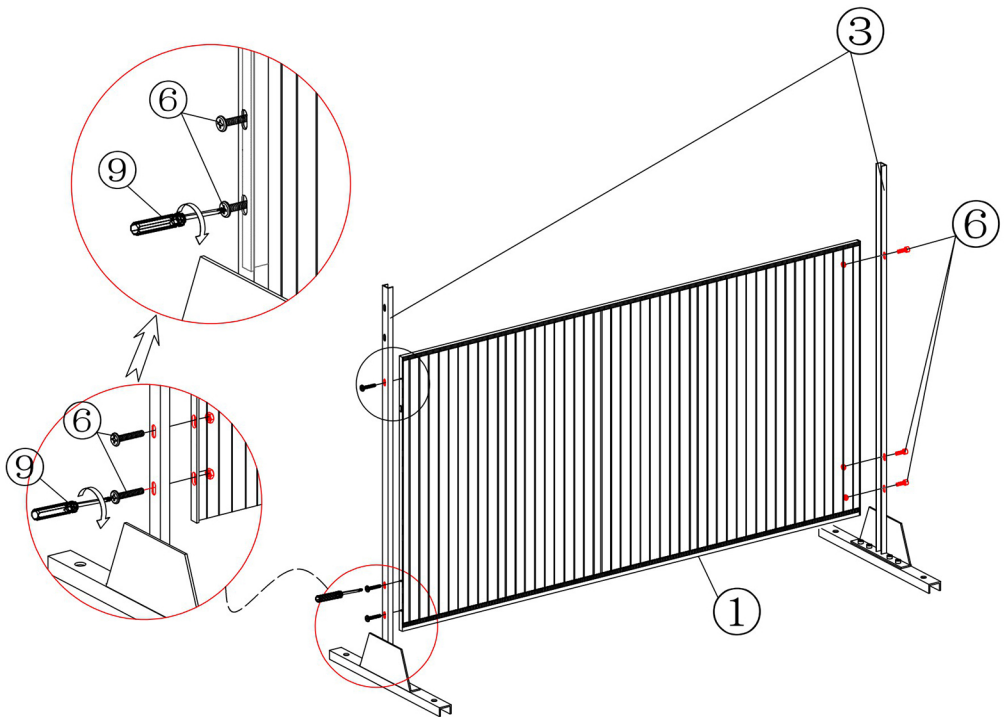
CONNECT BOTTOM SIDEBAR(3) WITH STANDING FOOT(4) BY USING SOCKET HEAD SCREWS(5) AS SHOWN. USE THE ALLEN KEY(7) PROVIDED TO TIGHTEN THE SCREWS.

REPEAT THIS STEP FOR BOTH OF THE STANDING FOOT.



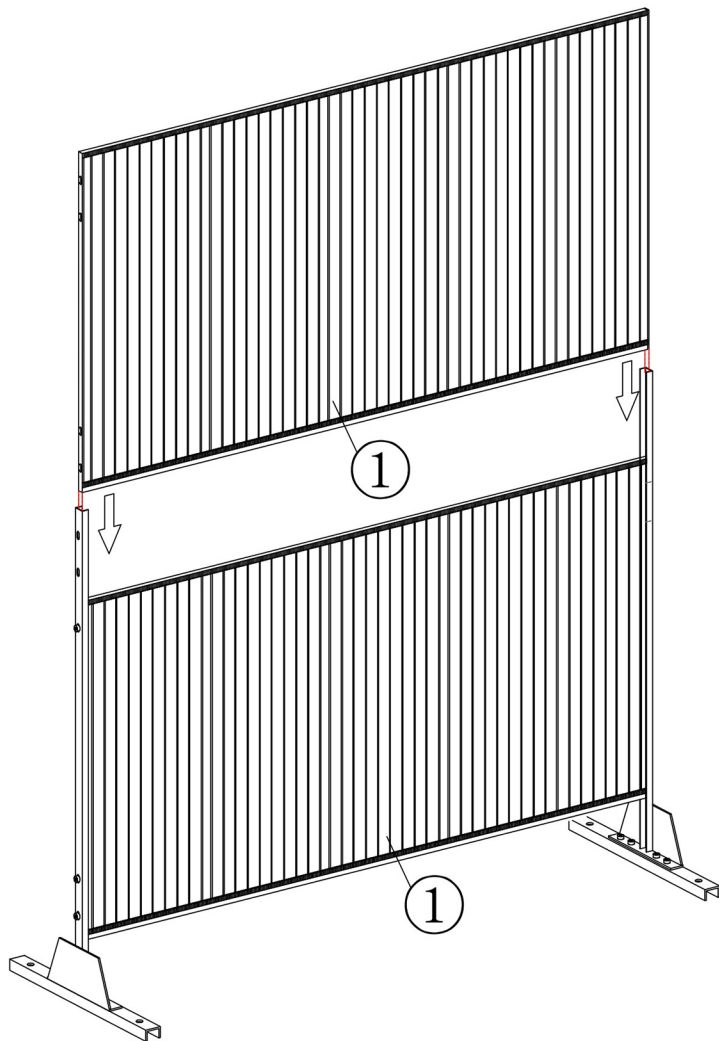
step 2

MAKE SURE ALL THE HOLES ON THE BOTTOM SIDEBARS(3) ARE ALIGNED WITH THE SCREEN(1), THEN PUT THE PHILLIPS BOLT(6) INTO EACH HOLE AND TIGHTEN THEM WITH THE SCREWDRIVER(9) PROVIDED, MAKE SURE THEY ARE FULLY TIGHTENED



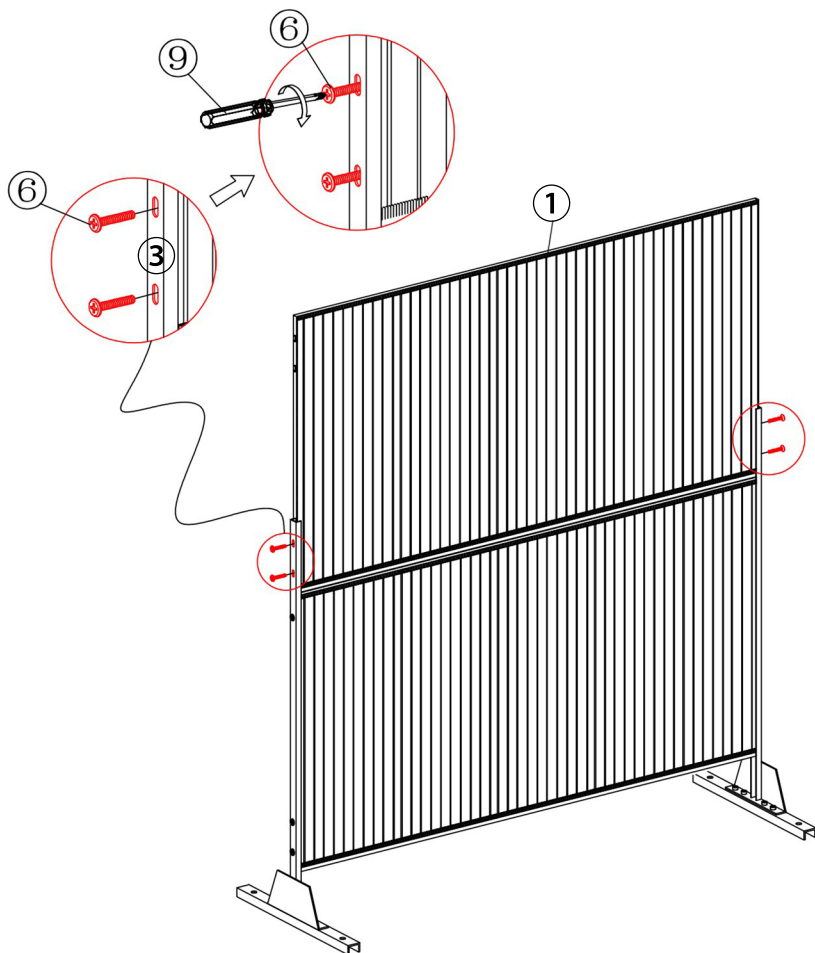
step 3

SLIDE THE SCOND SCREEN(1) INTO THE PREVIOUS PART AS SHOWN.



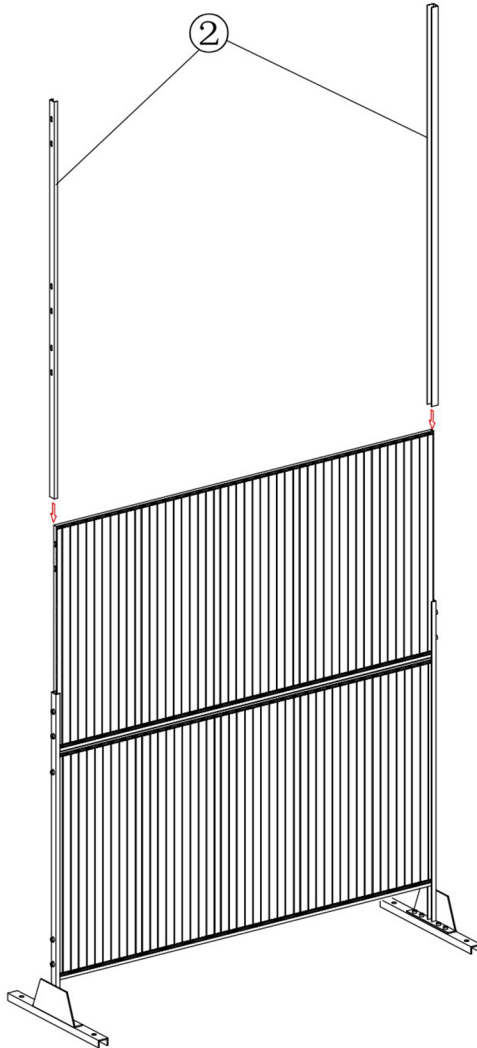
step 4

MAKE SURE ALL THE SCREW HOLE ON THE BOTTOM SIDEBARS(3) ARE ALIGNED WITH MIDDLE SCREEN(1). THEN PUT THE PHILLIPS BOLT(6) INTO EACH HOLE AND TIGHTEN THEM WITH THE SCREWDRIVER(9) PROVIDED, MAKE SURE THEY ARE FULLY TIGHTENED.



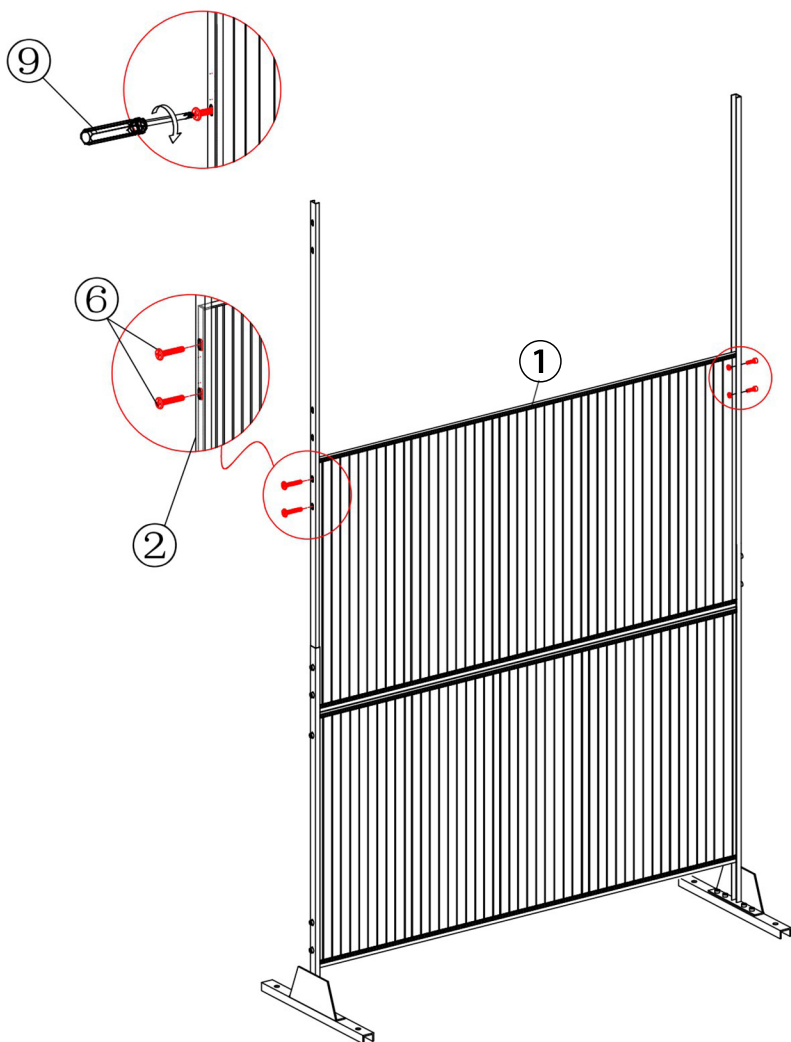
step 5

SLIDE BOTH OF THE SIDEBARS(2) INTO THE SLOTS AS SHOWN.



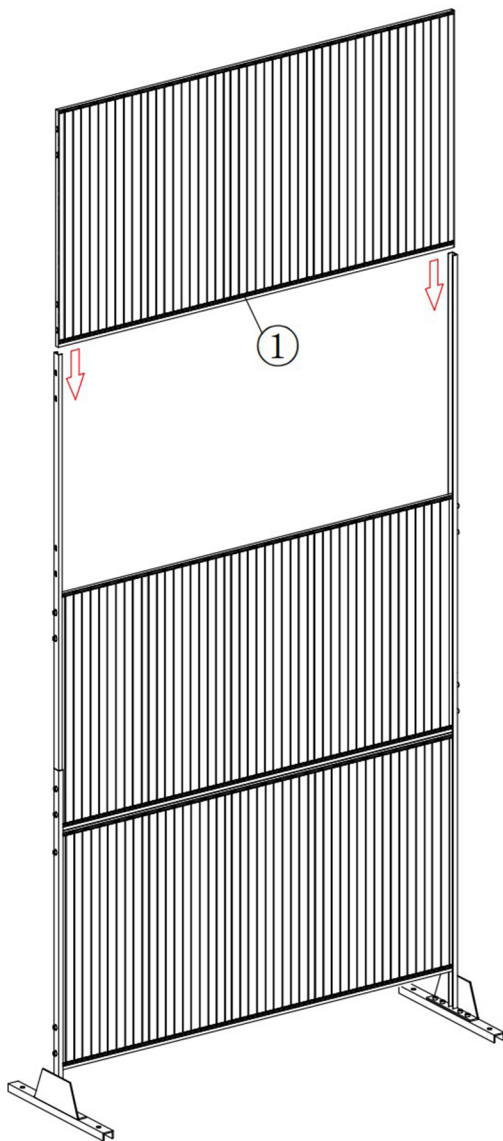
step 6

MAKE SURE ALL THE SCREW HOLES ON THE TOP SIDEBARS(2) ARE ALIGNED WITH THE SCREEN IN THE MIDDLE SCREEN(1), AND PUT THE PHILLIPS BOLT(6) INTO EACH HOLE AND THEN TIGHTEN THEM WITH THE SCREWDRIVER(9) PROVIDED. MAKE SURE THEY ARE ALL TIGHTENED



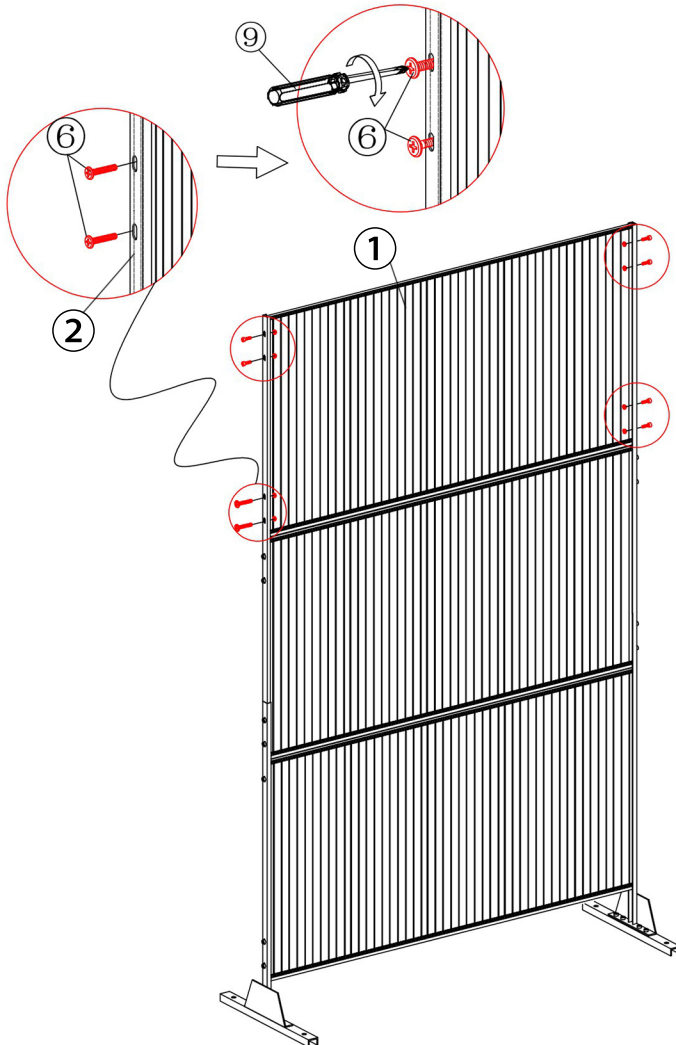
step 7

PLACE THE UPPER SCREEN(1) INTO THE SLOTS AND SLIDE DOWN AS SHOWN.



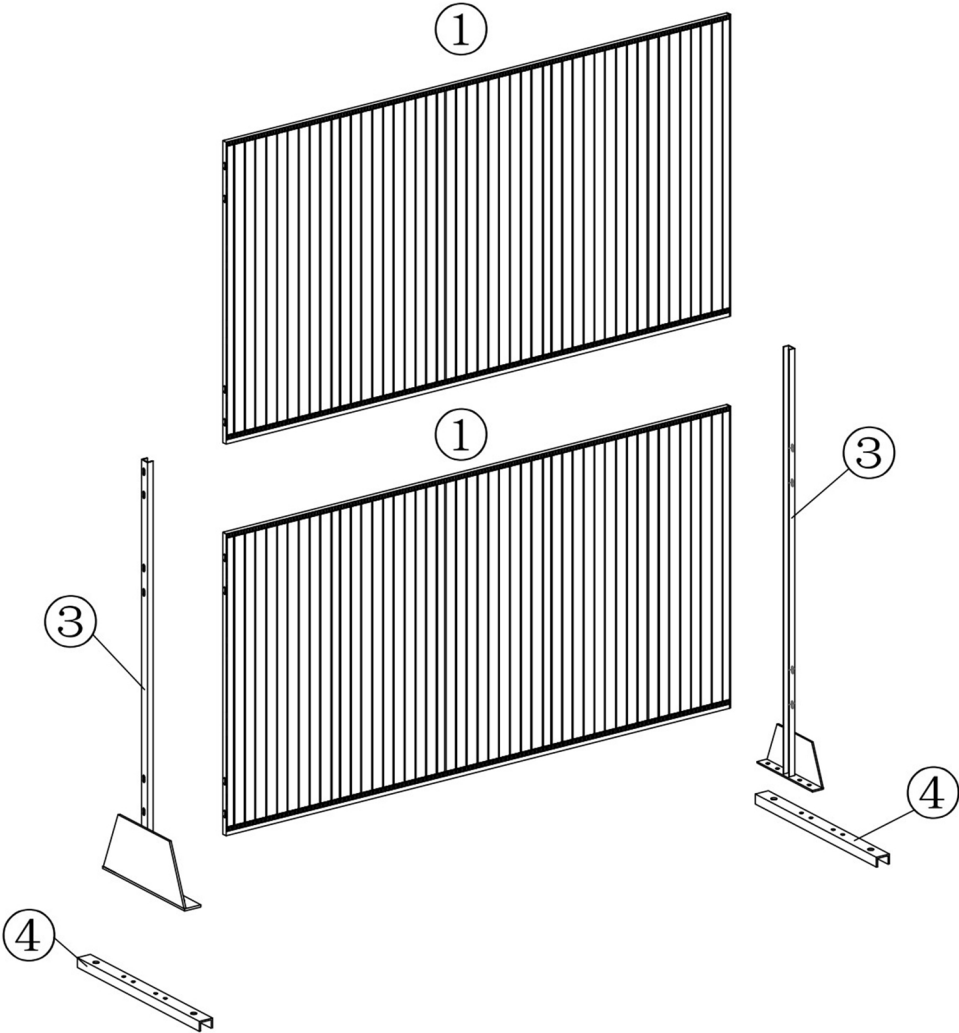
step 8

MAKE SURE ALL THE SCREW HOLES ON THE TOP SIDEBARS(2) ARE ALIGNED WITH UPPER SCREEN(1). THEN TWIST ALL THE PHILLIPS BOLT(6) INTO EACH HOLES WITH THE SCREWDRIVER(9) PROVIDED. MAKE SURE ALL THE BOLTS ARE TIGHTENED.



HORIZONTAL INSTALLATION

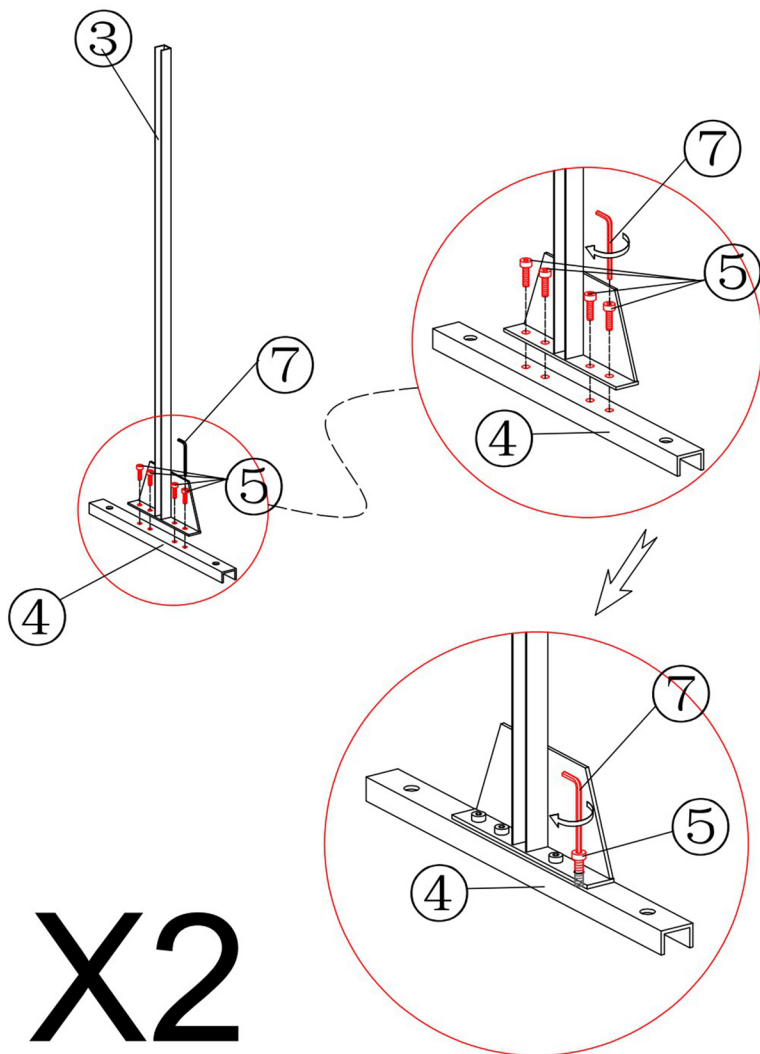
EXPLODED VIEW - TWO SCREENS



step 1

CONNECT BOTTOM SIDEBAR(3) WITH STANDING FOOT(4) BY USING SOCKET HEAD BOLTS(5) AS SHOWN. USE THE ALLEN KEY(7) PROVIDED TO TIGHTEN THE BOLTS.

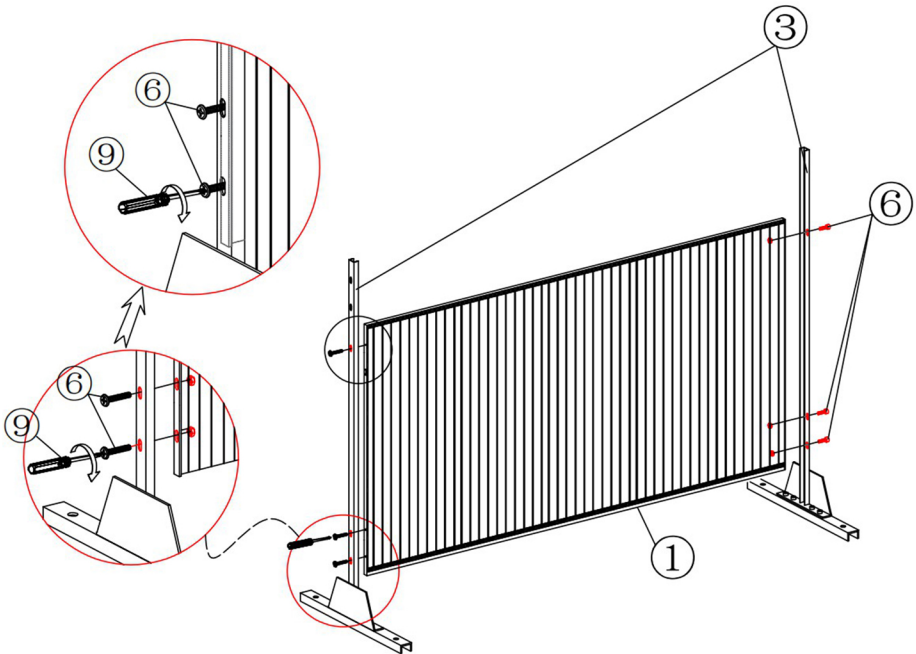
REPEAT THIS STEP FOR BOTH OF THE STANDING FOOT.



X2

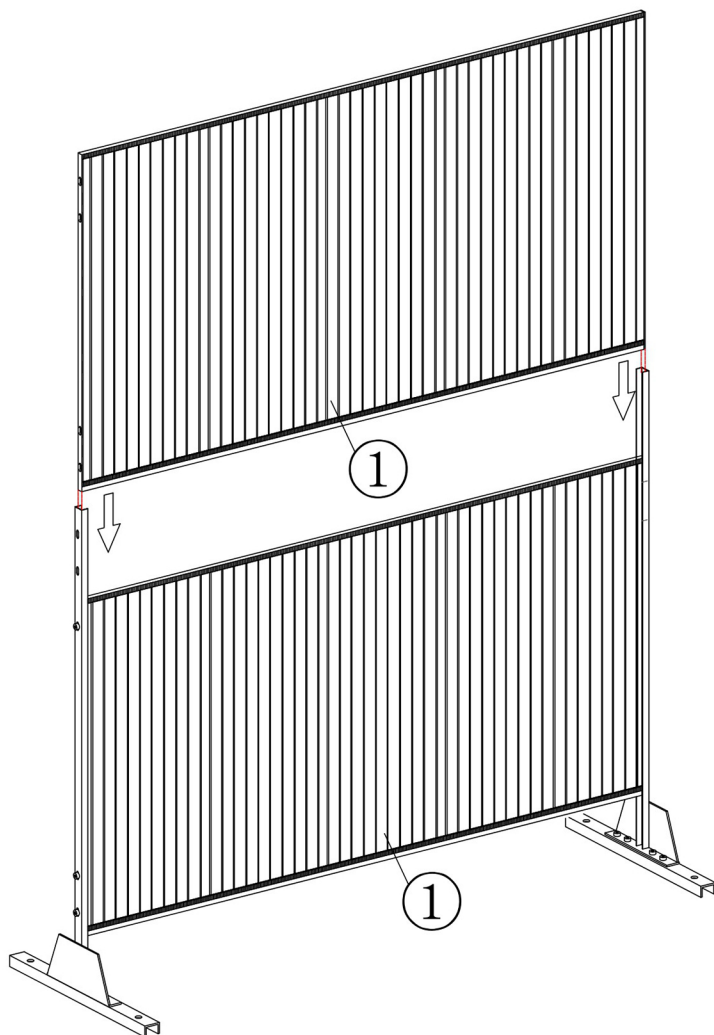
step 2

MAKE SURE ALL THE HOLES ON THE BOTTOM SIDEBARS(3) ARE ALIGNED WITH THE SCREEN(1), THEN PUT THE PHILLIPS BOLT(6) INTO EACH HOLE AND TIGHTEN THEM WITH THE SCREWDRIVER(9) PROVIDED, MAKE SURE THEY ARE FULLY TIGHTENED.



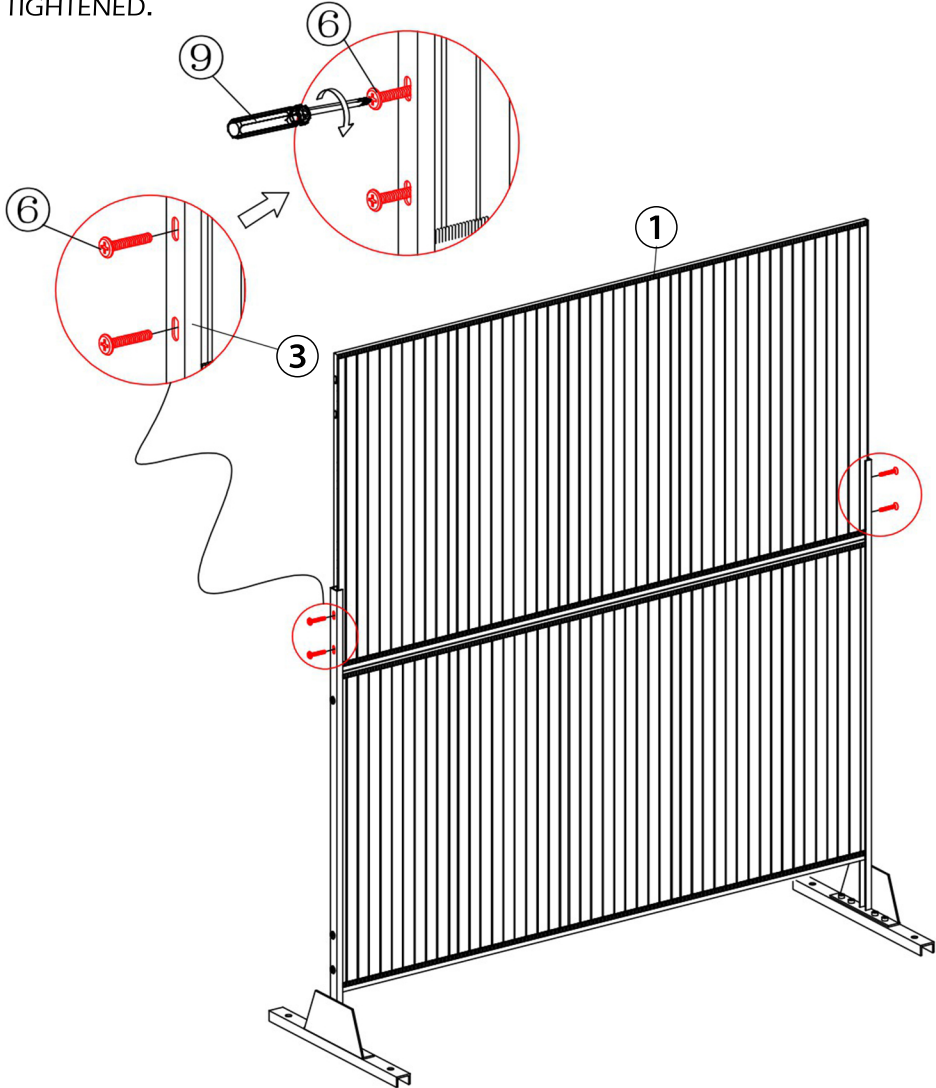
step 3

SLIDE THE SCOND SCREEN(1) INTO THE PREVIOUS PART AS SHOWN.



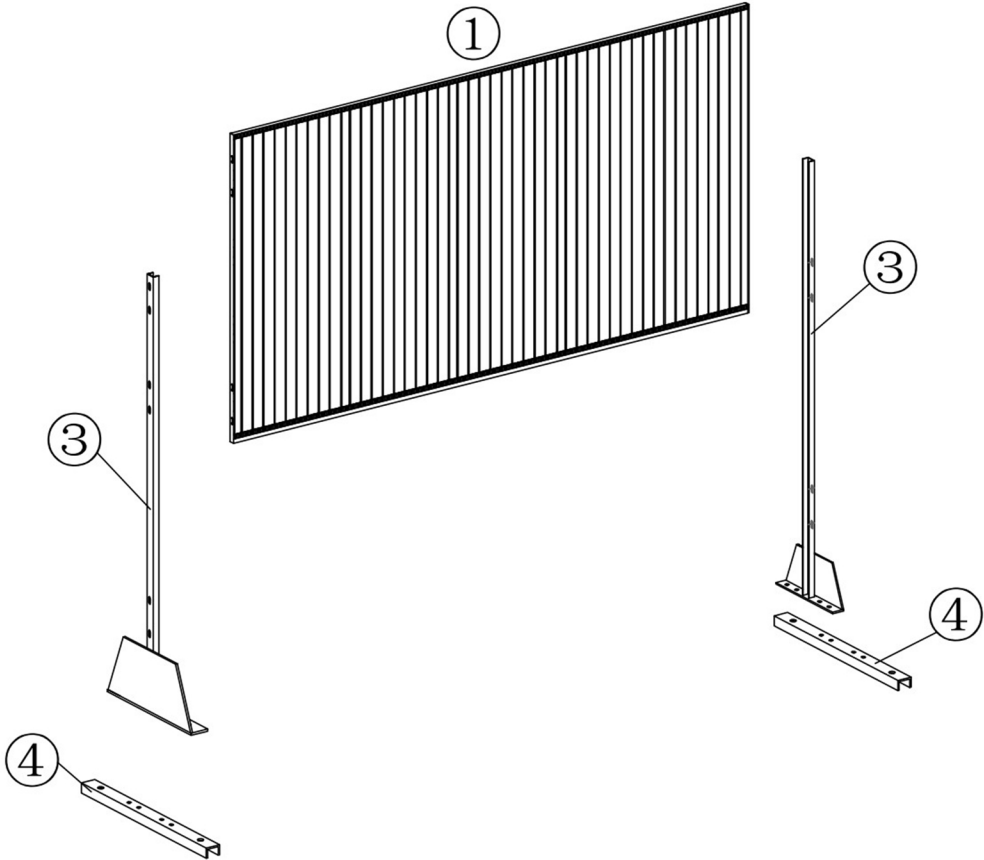
step 4

MAKE SURE ALL THE SCREW HOLE ON THE BOTTOM SIDEBARS(3) ARE ALIGNED WITH UPPER SCREEN(1). THEN PUT THE PHILLIPS BOLT(6) INTO EACH HOLE AND TIGHTEN THEM WITH THE SCREWDRIVER(9) PROVIDED, MAKE SURE THEY ARE FULLY TIGHTENED.



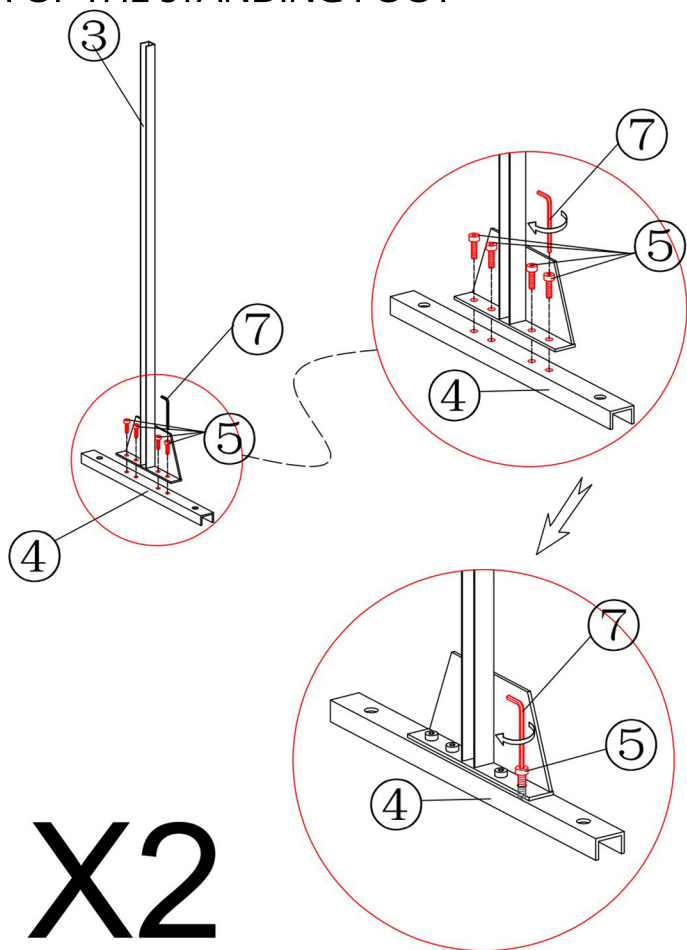
HORIZONTAL INSTALLATION

EXPLODED VIEW - SINGLE SCREEN



step 1

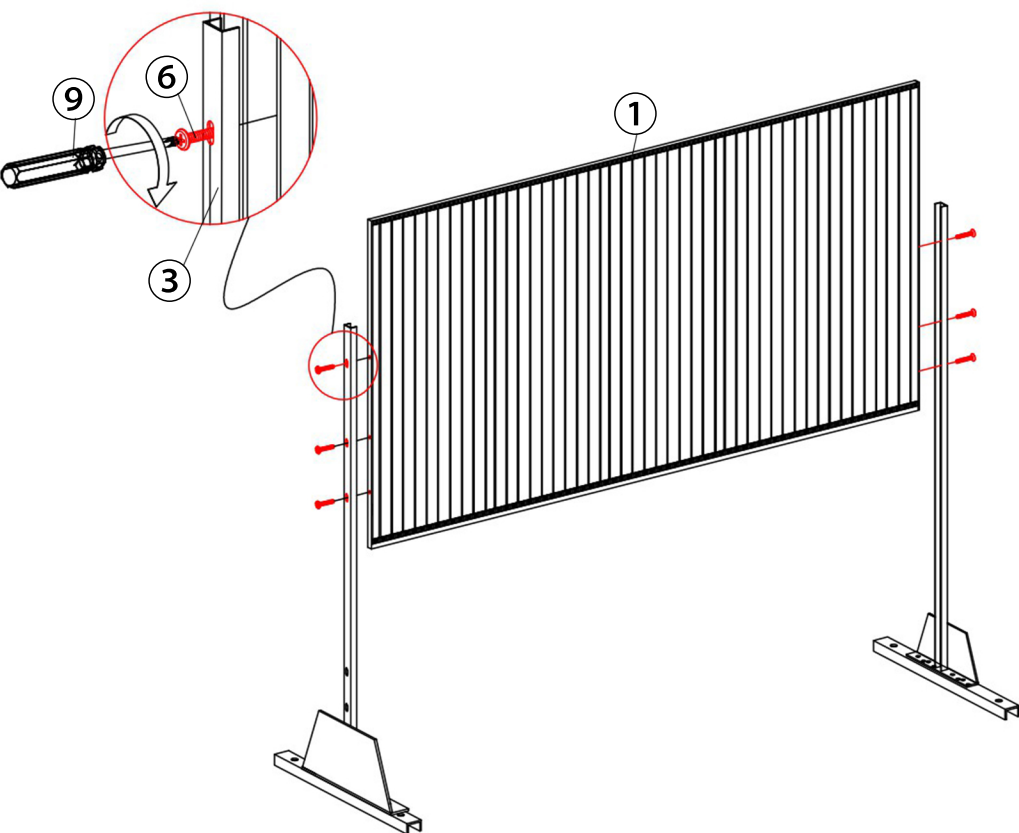
CONNECT BOTTOM SIDEBAR(3) WITH STANDING FOOT(4) BY USING SOCKET HEAD BOLT(5) AS SHOWN. USE THE ALLEN KEY(7) PROVIDED TO TIGHTEN THE BOLTS. REPEAT THIS STEP FOR BOTH OF THE STANDING FOOT



step 2

MAKE SURE ALL THE HOLES ON THE BOTTOM SIDEBARS(3) ARE ALIGNED WITH THE SCREEN(1), THEN PUT THE PHILLIPS BOLT(6) INTO EACH HOLE AND TIGHTEN THEM WITH THE SCREWDRIVER(9) PROVIDED, MAKE SURE THEY ARE FULLY TIGHTENED.

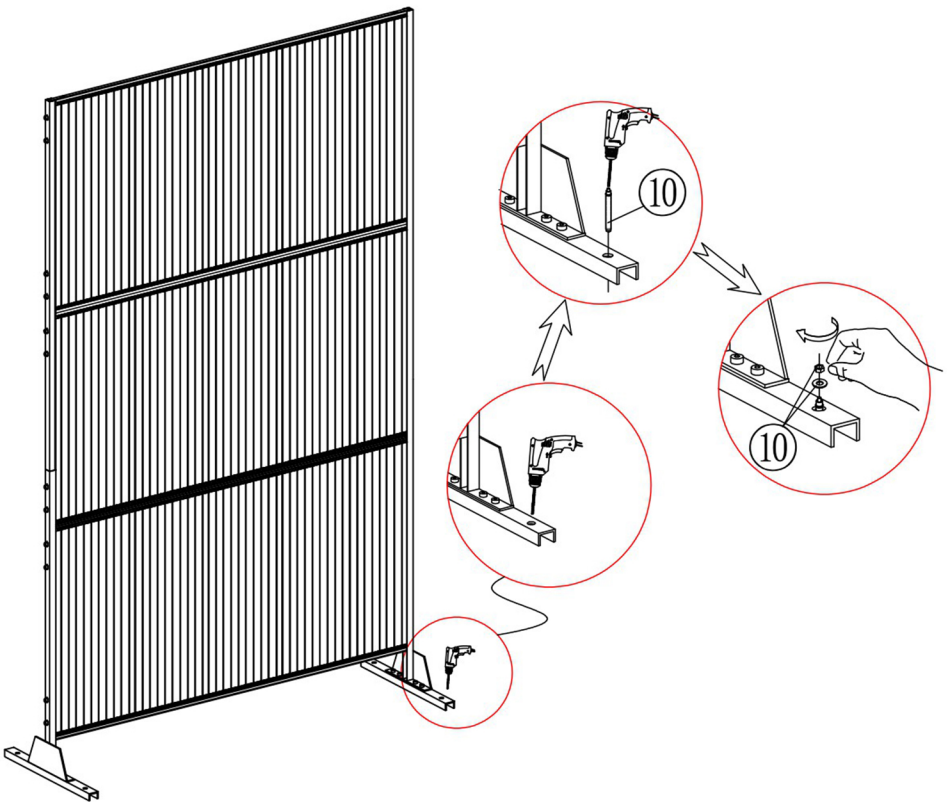
REMEMBER, IF YOU ARE USING A SINGLE SCREEN, ALIGN THE BOLTS OF SCREEN TO THE UPPER HOLES ON SIDEBARS.



Install the expansion screw

When the product will be used on hard surface, in order to prevent the screen overturning, we recommend you use the expansion screws to reinforce the standing. Follow these steps:

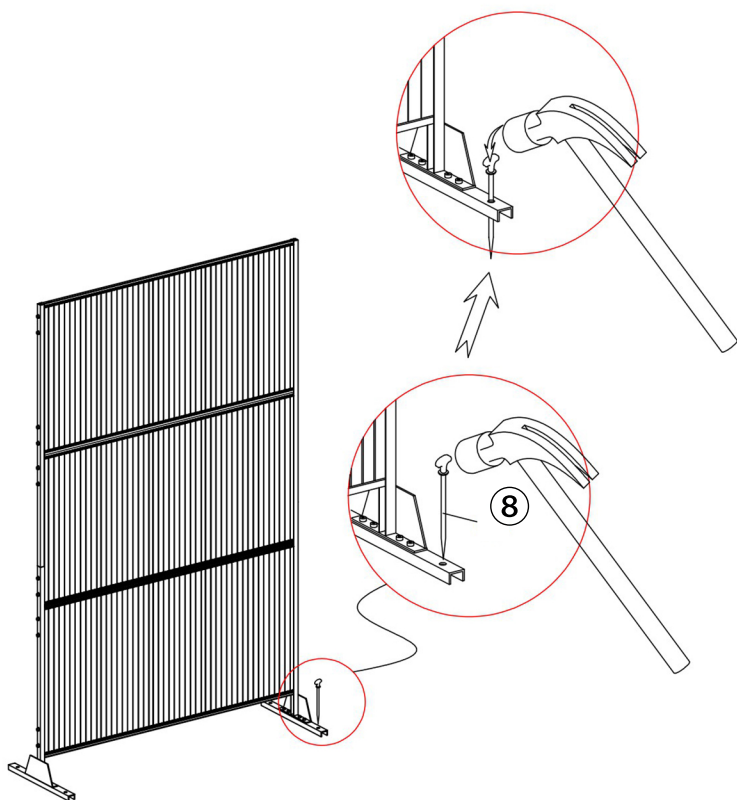
1. Use electric drills to make an appropriate hole
2. Insert the expansion screws as shown
3. Use shims and screw caps to secure the object



Install the ground nails

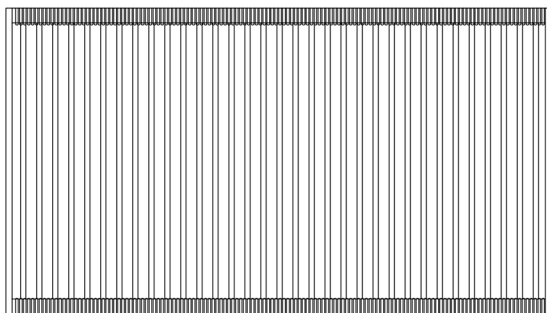
If the product will be used on soft soil, in order to make the product steady, we recommend using the ground stakes. Please follow the steps:

1. Insert the ground stakes through the holes at the standing feet of the screen, and use hammer to knock the stakes completely into the soil.

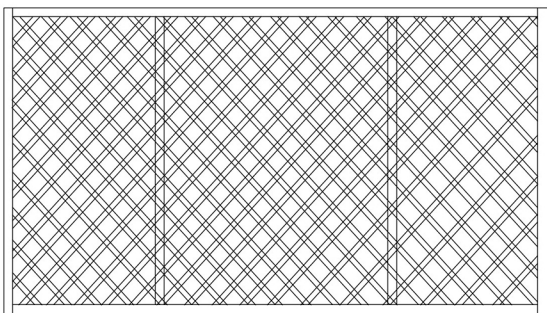


Style selection

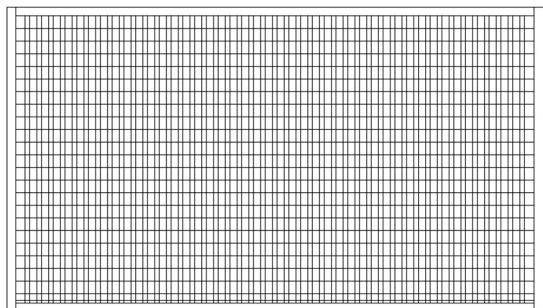
WE HAVE VARIOUS CHOICES OF PATTEM FOR YOU.



OS0017



OS0016



OS0015