

Assembly Instructions

Important

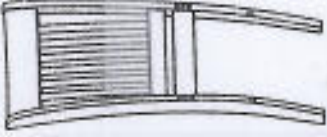









Please inspect all items carefully before assembling.

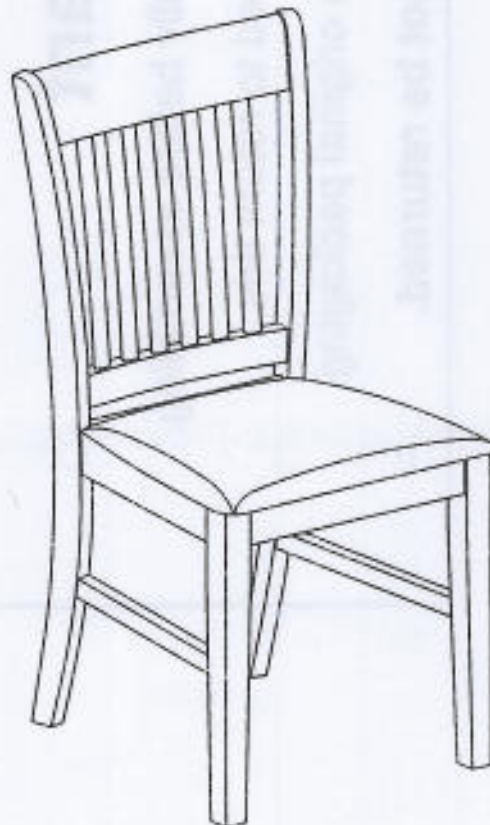
If for any reason you need to return this

Item, you must return it in its original packaging.

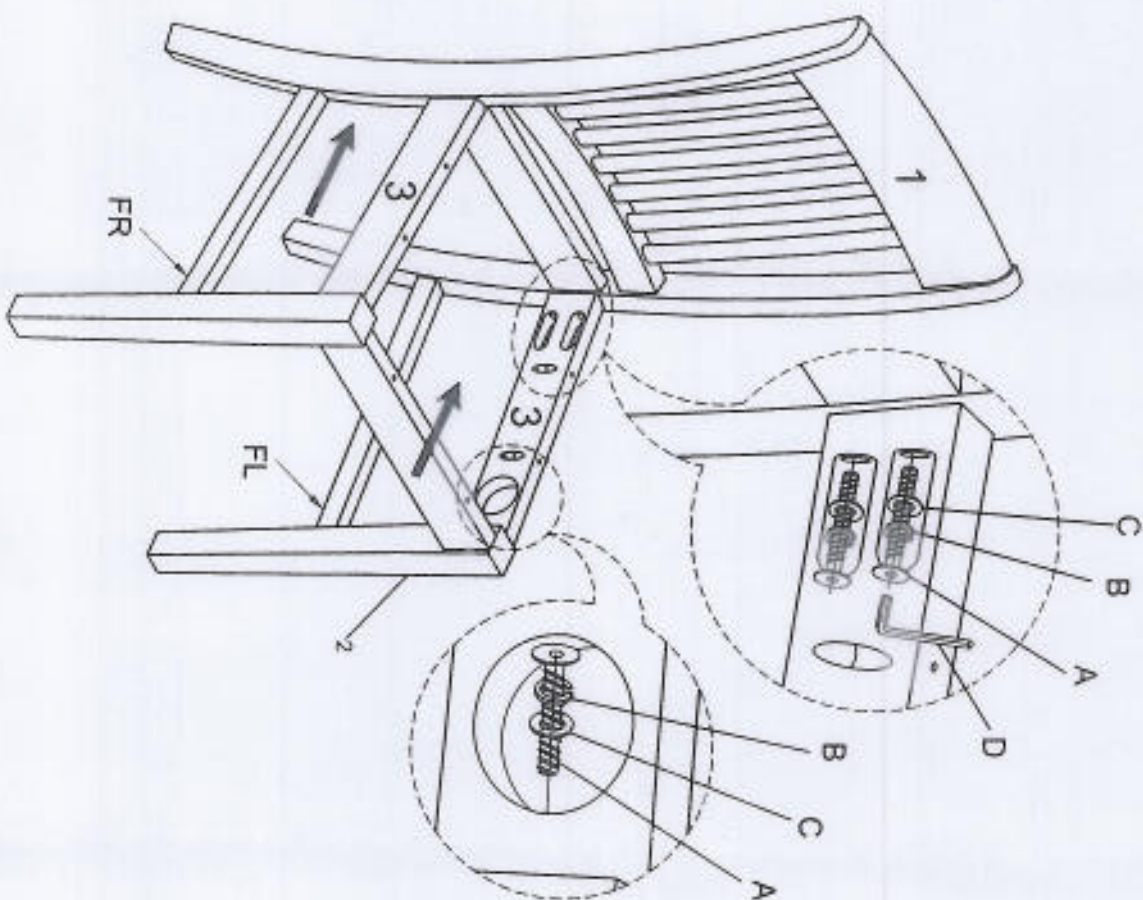
Assembled items cannot be returned.

**ASSEMBLY INSTRUCTION
LINCOLN CHAIR**

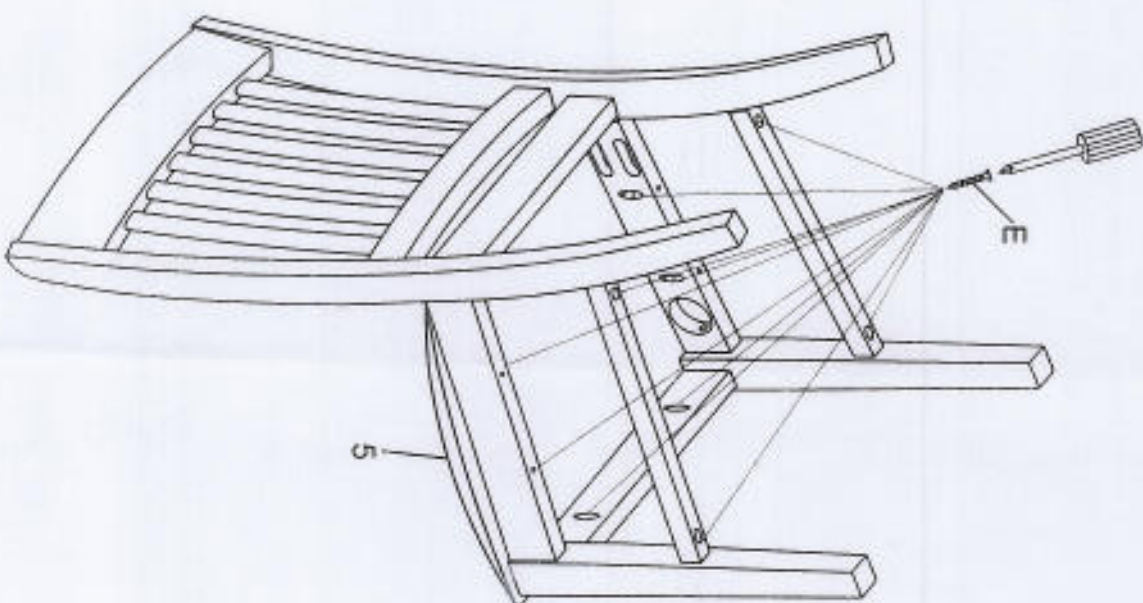
<u>PART LIST</u>		<u>HARDWARE LIST</u>	
<p>1. CHAIR BACK 1 piece</p> 		<p>A. BOLT 6 pieces</p> 	
<p>2. FRONT LEG 1 piece</p> 		<p>B. LOCK WASHER 6 pieces</p> 	
<p>3. SIDE RAIL (L&R) 2 pieces</p> 		<p>C. FLAT WASHER 6 pieces</p> 	
<p>4. SIDE STRETCHER (L&R) 2 pieces</p> 		<p>D. ALLEN KEY 1 piece</p> 	
<p>5. CHAIR SEAT 1 piece</p> 		<p>E. SCREW 10 pieces</p> 	



STEP 1



STEP 2



CHARACTERISTICS OF REAL OAK WOOD

You may find differences in the wood grain appearance, this natural effect created during the maturing process of the tree.

As the tree grows, the old sections in the tree develop thicker, clearer grain patterns.

Your furniture maybe made from several cutting of the timber, giving different markings of wood grains .

Here shows a section of sapwood common in most timbers, which you may find randomly throught your furniture.

Sapwood is a common marking in real wood and not to be seen as a defect.

Knotting is most common of marking and is the fingerprint of nature wood. These vary in size and occur frequently in natural wood products.

Being a natural product, each piece of wood will be unique in shape, grain-structure, colour irregularities and the presence of various sizes of knots are the natural results of the growth of the trees, no two pieces will be quite the same, unlike the produced veneer furniture.

Therefore, variations in colour, grain-pattern and appearance should be expected as part of the unique characteristics of this furniture.



We hope you are delighted with your purchase.

Your piece of furniture has been finished with a high-quality lacquer. Furniture lacquer protects the surface and accentuates the grain to give the furniture a richer appearance.

Careguide for oak products

- Oak wood and veneers often have random pale markings in the grain, these are medullary rays which are a natural unique feature of the wood.
- For general cleaning, periodically dust with a soft cloth.
- Do not rub or scrub the surface when cleaning.
- Always use a non-silicone based furniture polish. Silicone in furniture polishes can break down the laquer finish.
- Use non-silicone beeswax to maintain the shine.
- Do not use furniture polish.
- Do not use abrasive cleaning products or those containing silicone.
- Any spills should be removed immediately with a soft clean damp cloth and dried immediately.
- Ensure the product is protected with mats and coasters when items are placed on the surfaces, to prevent scratching or damage.
- Do not put hot dishes directly on the surfaces of the item.
- Avoid keeping furniture in direct sunlight or close to any heat sources as this can cause cracking, discolouration or warping.
- Never drag pieces of furniture across the floor as this will cause damage to the joints.