

WARNING!!

Furniture Tipping Risk.

Serious risk of severe or fatal crush injuries can occur from furniture tipping over if not secured.

Children like to climb on furniture and Unsecured furniture can pose a serious danger.

Please follow all instructions and install the tip-over restraints provided.

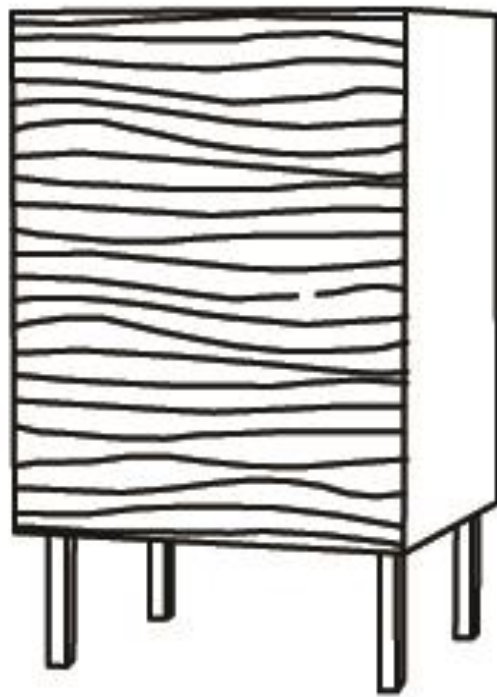
In addition to installing the restraints, to help prevent tipover:

1. Unless specifically designed to accommodate, do not set TV's or other heavy objects on top of this product.
2. Never allow children to climb or hang on top glass.
3. Do not step on the Table base

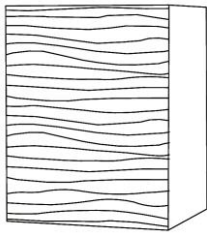

Assembly Instructions

Caution : You must read this before you proceed

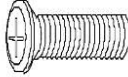


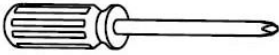
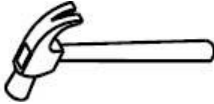

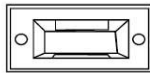
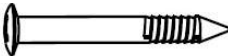



Bedside



Parts List

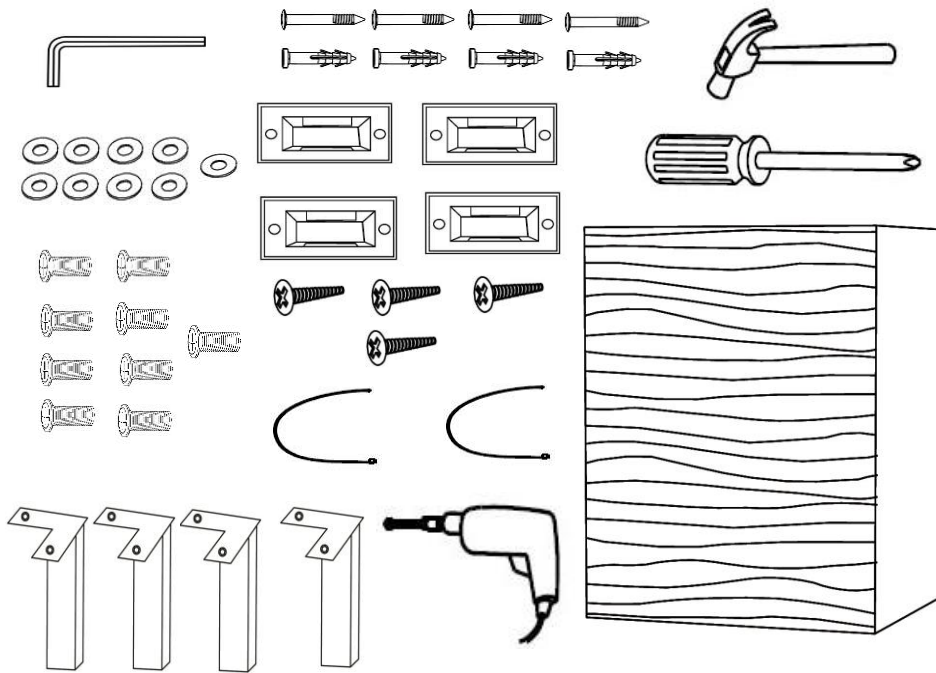
Label	Picture	Description	QTY
A		Drawer Part	1
B		Legs	4

Hardware

Label	Picture	Description	QTY
①		Bolt (M6x16mm)	9
②		Washer	9
③		Allen Key	1
④		screwdriver (not provided)	1
⑤		Hammer (not provided)	1
⑥		Power Drill (not provided)	1
⑦		Bracket	4
⑧		Wall Plug Screw	4
⑨		Wall Plug	4
⑩		Cabinet Restraint Strap	2
⑪		Small Screw	4

Assembly Preparation

Before Beginning Assembly:



• Read instructions, cover to cover-



• Have 2 adults on hand for assembly-



• Do not assemble on flooring or carpet-



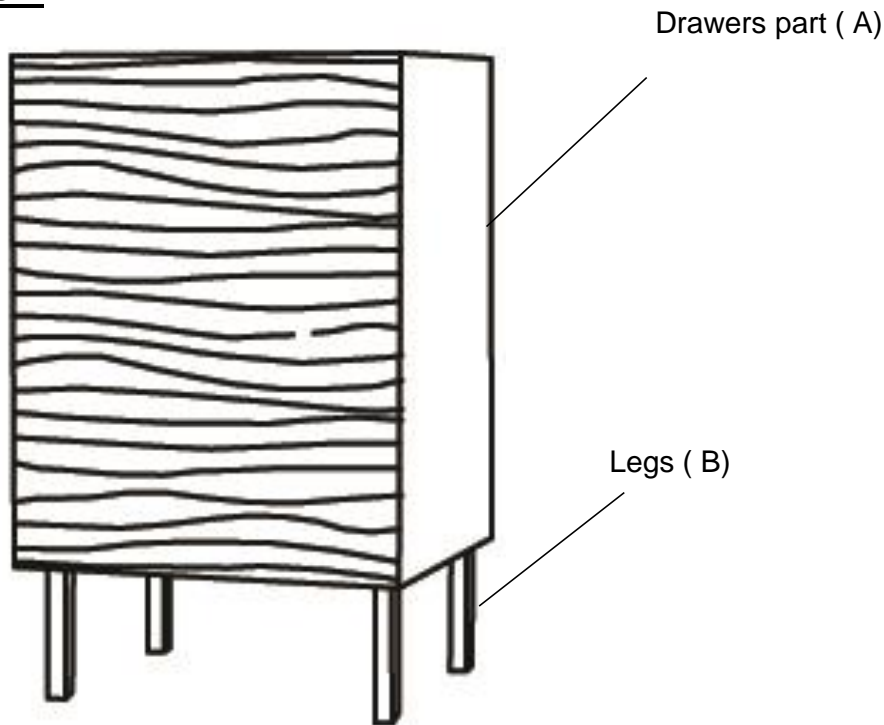
• Assemble on a clean non-marring surface (packing foam)-



• Save all packaging until finished-

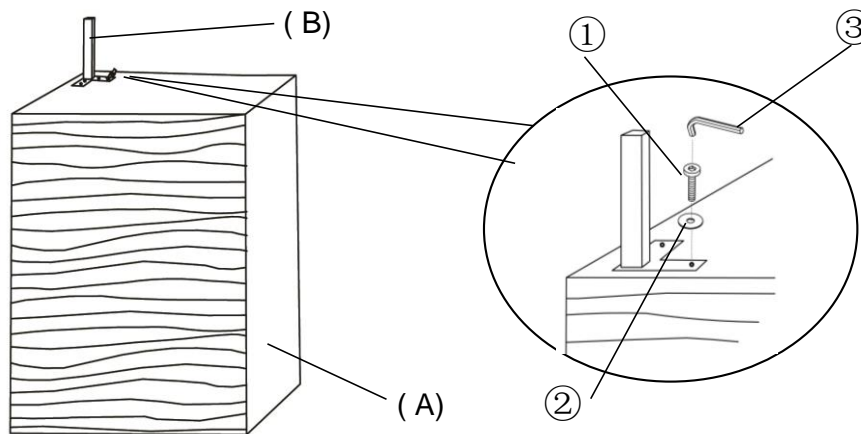
Assembly Steps

Overview



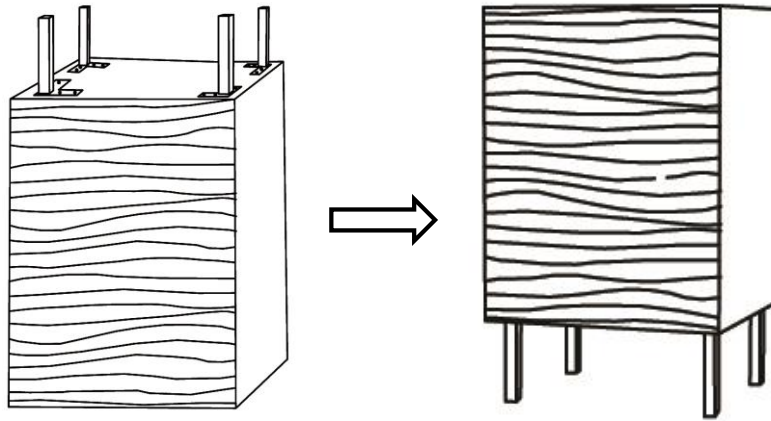
This Bedside has multiple parts and may require up to some 30 minutes to assemble. To give you an overview of the Bedside parts, the above picture is to help you put the various parts into perspective. Please read through the instructions below to familiarise yourself with the parts and steps before assembly.

Step 1



With assistance from your adult partner, place the Bed side wooden Part (A) top down as picture, on clean, non-marring surface.
As shown in “Step 1” picture Affix the Leg (B) to the Drawer part (A) by using Allen Bolt (①) , Washer (②) (and Allen Key (③) .
Tighten the Bolts fully in a sequential manner.

Step 2

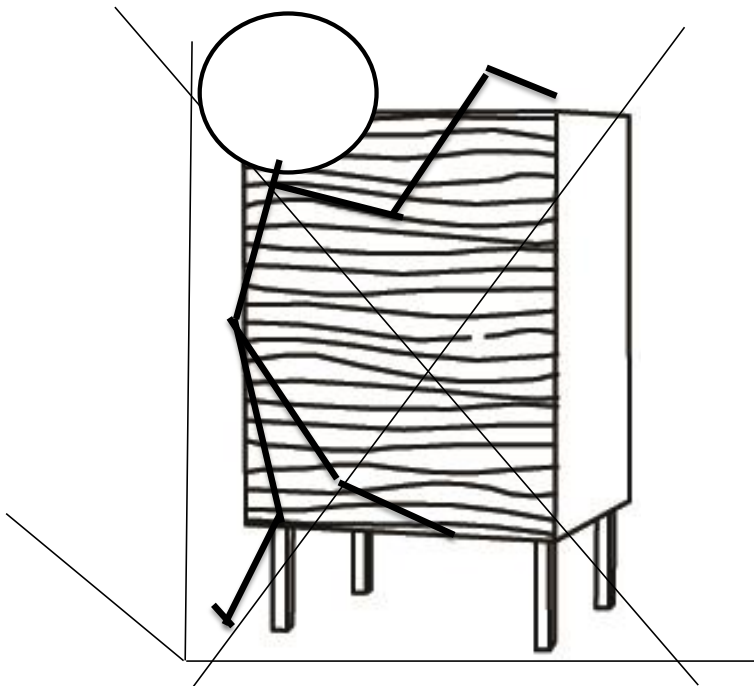


Repeat "step 1" to assemble another leg(B) to Backside (A). Upon assembly of all the legs, flip the Chest as shown in above picture.

Chest Restraint Device Installation Instructions



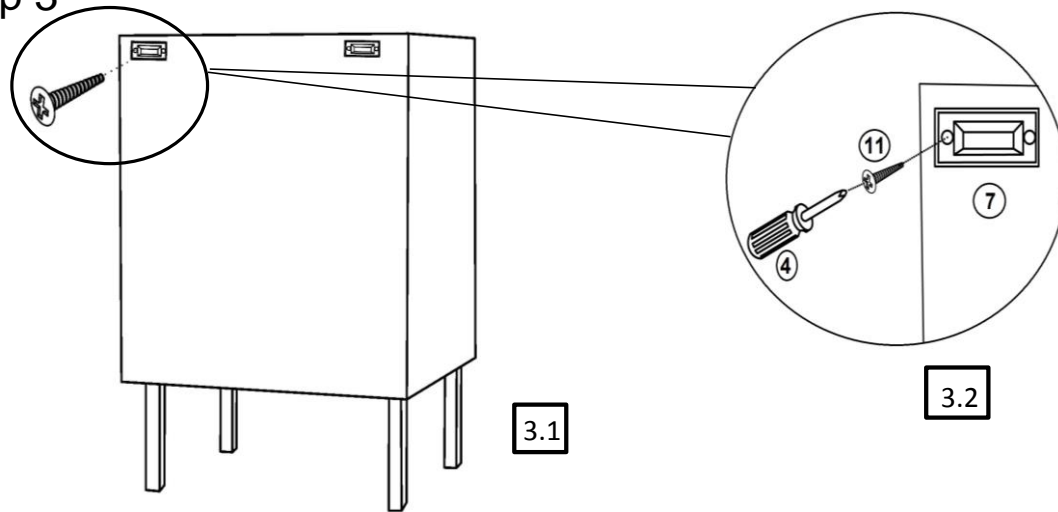
Serious or fatal crushing injuries can occur from tipping furniture. To help prevent tip-over: ALWAYS secure this furniture to the wall using Cabinet Restraint Device. See product instructions for more ways to help prevent furniture tip-over.



Usage For Cabinet Restraint Device:

To secure Bedside against wall, attach two Brackets (7) on wall and product, use Cabinet Restraint Strap (10) to connect the Brackets (7).

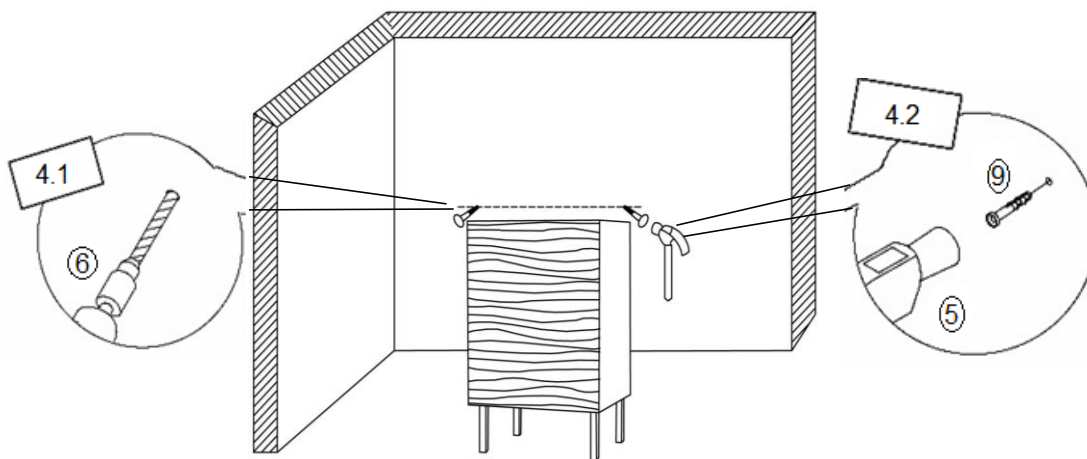
Step 3



3.1 - Turn the Bedside so the back faces you.

3.2 - Attach Bracket (7) to the back panel using small Screw (11) with ScrewDriver (4).

Step 4



4.1) Drill two holes on wall at same height as Brackets (7) on Chest with Power Drill (6).

You can mark these points in two ways as below:

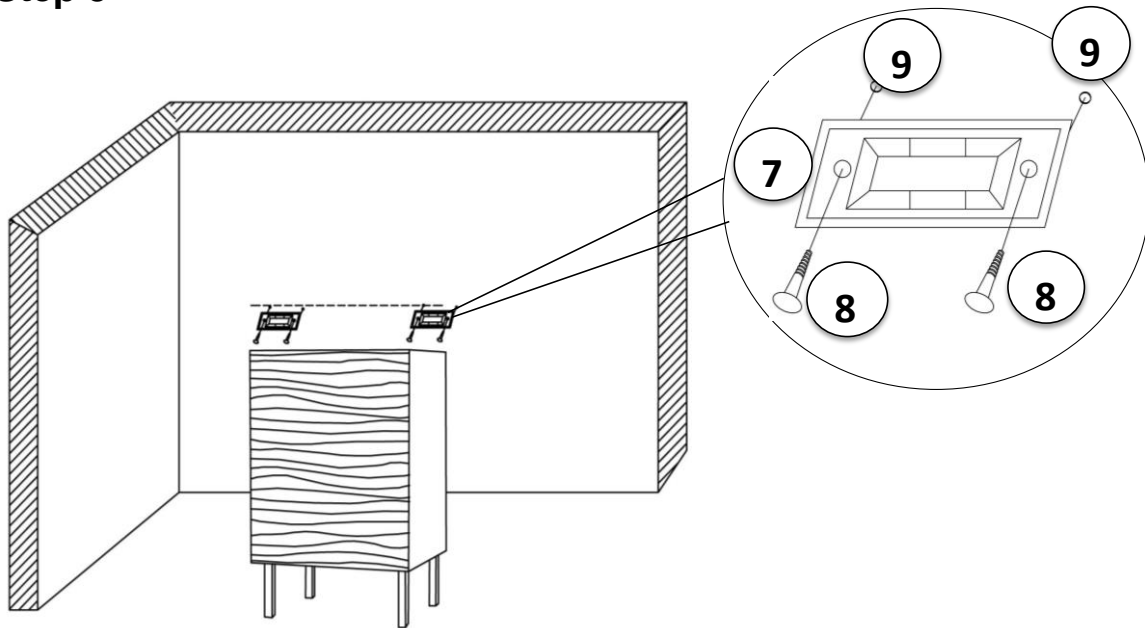
1) Move the Chest back to the wall. Mark two points same height as Chest on the wall.

Note: The Brackets need to be secured to solid, load bearing surface. Please use a Stud Finder(not supplied) if needed to locate the Wall Frame.

2) Measure the height of the Brackets (7) with ruler/measuring tape and mark on wall to keep them accurate and same height.

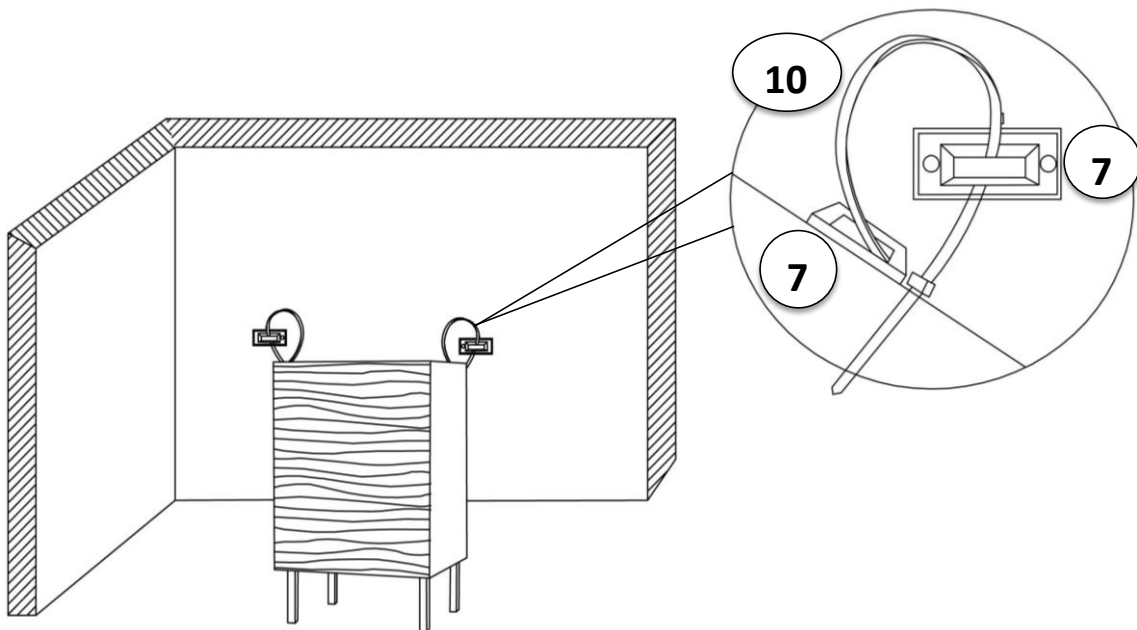
4.2) Insert Wall Plugs (9) into drilled holes on wall with Hammer (5).

Step 5



Attach Brackets (7) to Wall Plugs (9) using Wall Plug Screws (8) with Screwdriver (4).

Step 6













Move bed side to the wall.

Pull the Restraint Straps (10) through the Brackets (7) on the wall and Bedside one by one, and pull the Restraint Straps (10) tight.

This Bedside is now ready to use.

Caution: This Bedside can only be used on flat, level surface.

Care & Maintenance

-  ● Do not put hot items directly on furniture surface
 -  ● Do not clean furniture with harsh cleansers or polish.
 -  ● Do not place furniture under direct sunlight.
 -  ● Do not place furniture near heating or cooling vents.
 -  ● Do not write on furniture without a padded barrier to protect the surface.
 -  ● Do not place furniture outside . For indoor use only .
 -  ● Not for commercial use. For residential use only .
 -  ● Stains may be removed with mild soap solution and damp cloth .
 -  ● Children should not climb or jump on the furniture .
-
-  ● Dust and pick-up spills using a clean, non-colored, lint-free cloth .