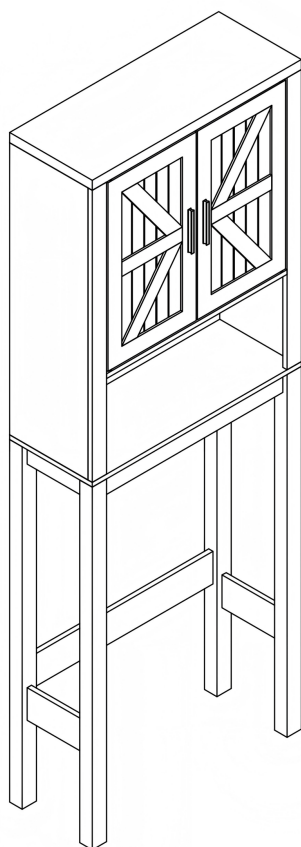
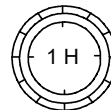
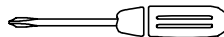
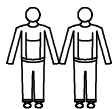
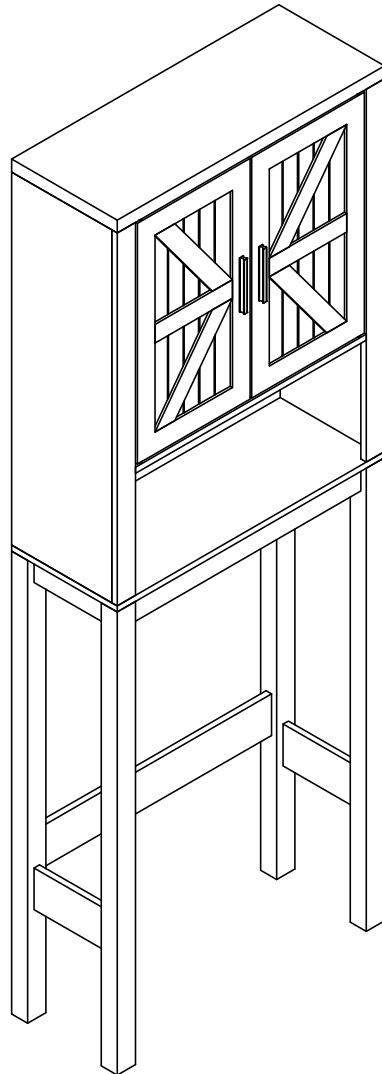
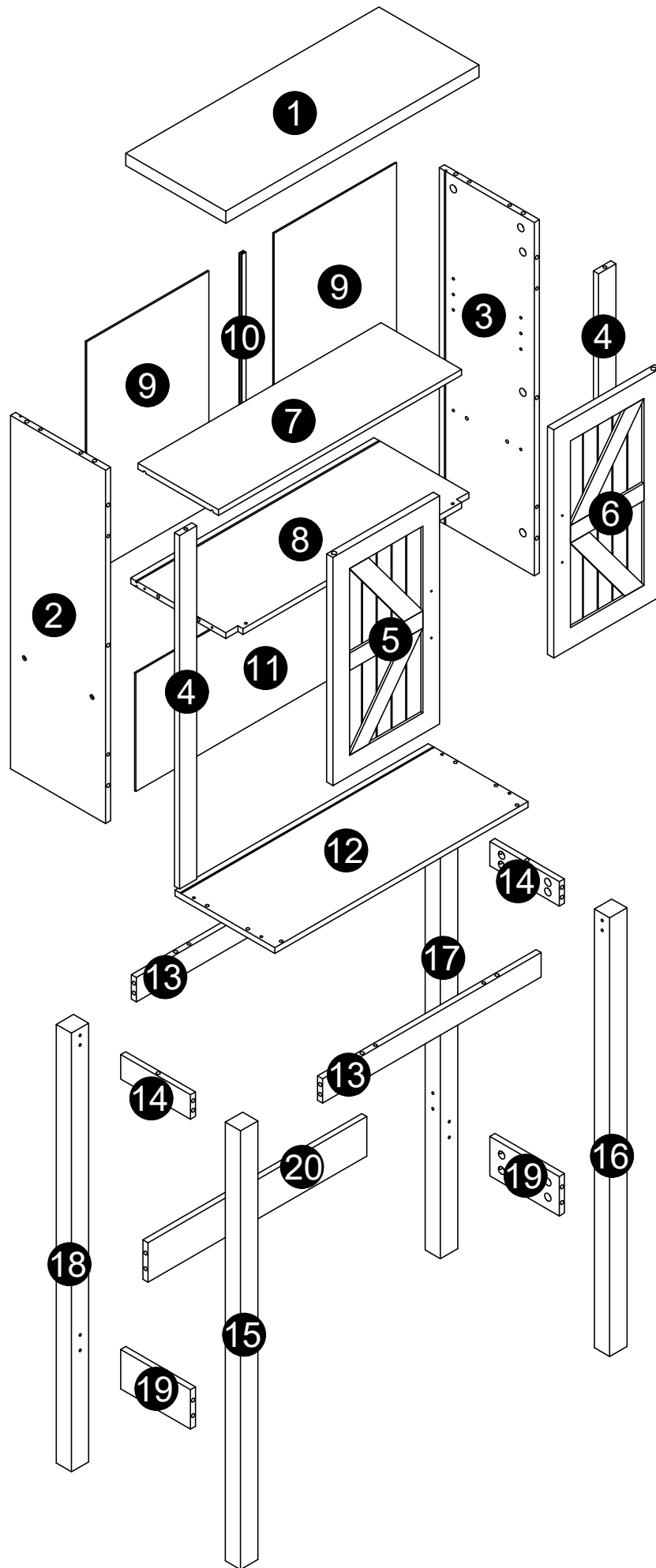


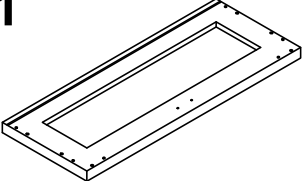
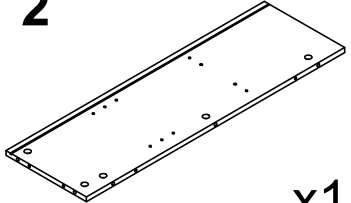
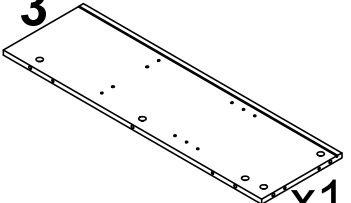
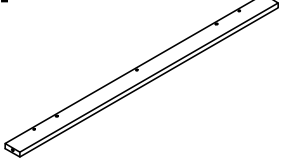
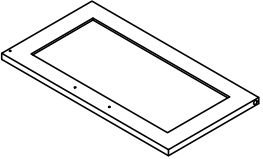
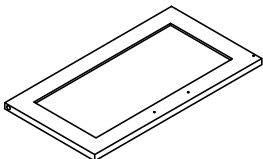
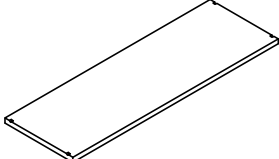
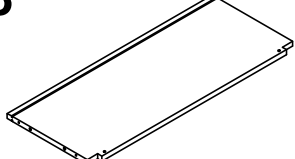
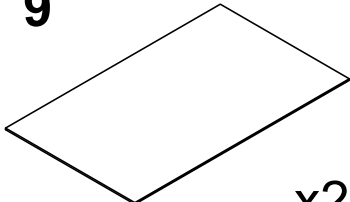
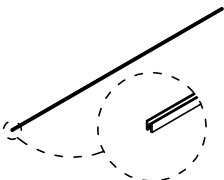
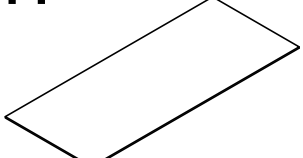
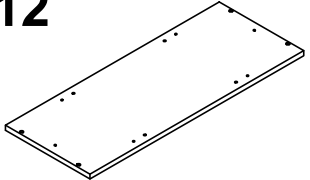
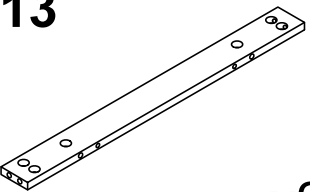
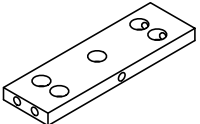
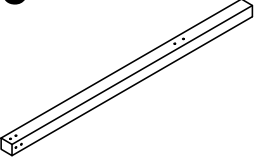
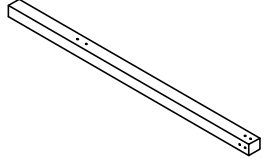
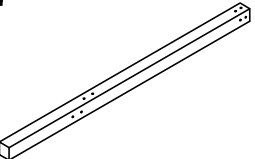
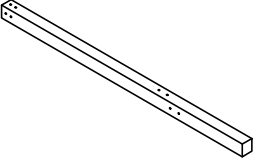
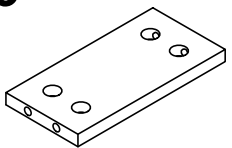
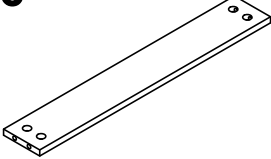
K-shaped Door Toilet Cabinet

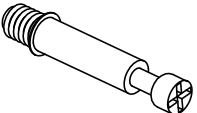


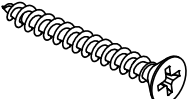







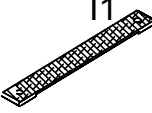
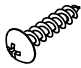
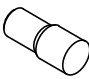



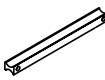




ASSEMBLY INSTRUCTIONS



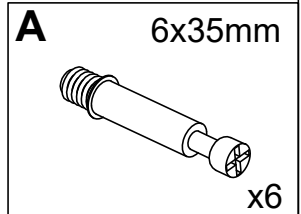
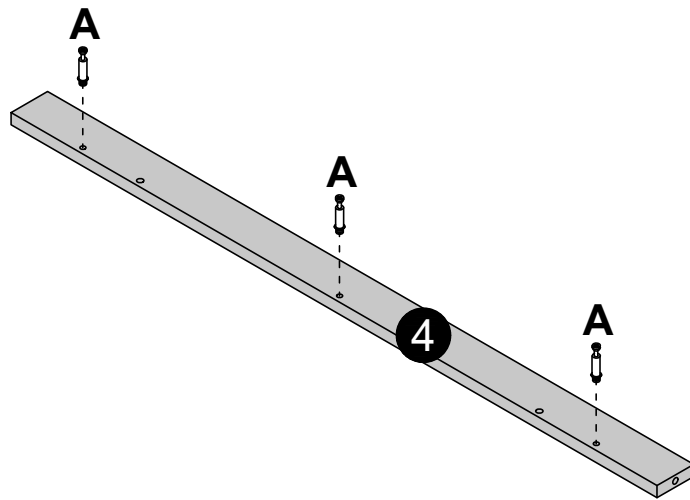


1  x1	2  x1	3  x1	4  x2
5  x1	6  x1	7  x1	8  x1
9  x2	10  x1	11  x1	12  x1
13  x2	14  x2	15  x1	16  x1
17  x1	18  x1	19  x2	20  x1

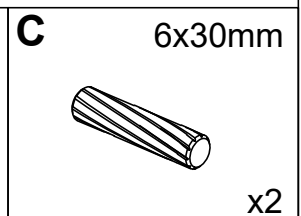
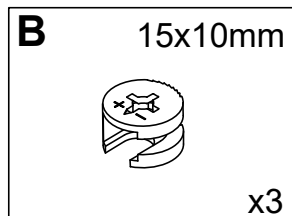
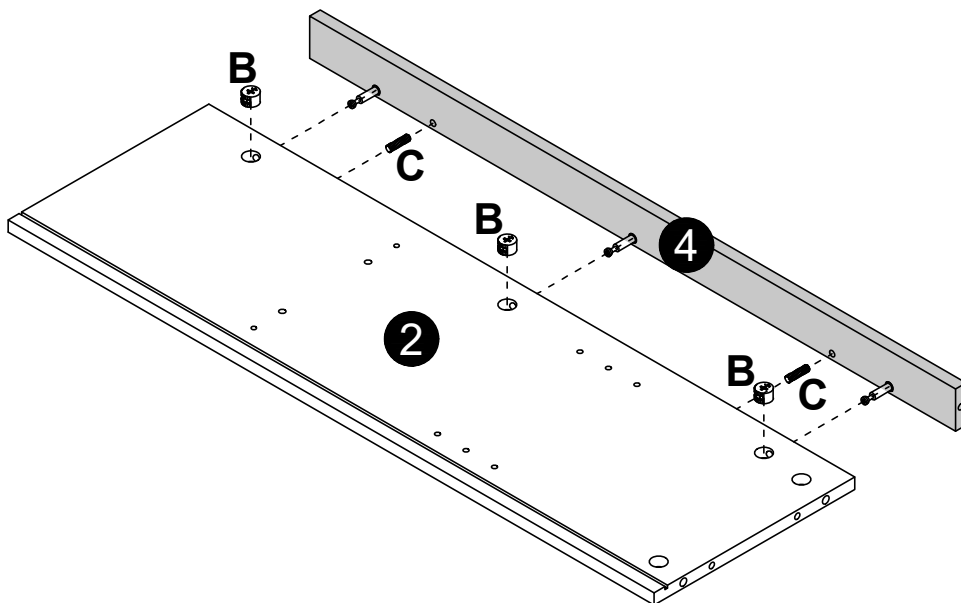
A 6x35mm  x44(+3)	B 15x10mm  x44(+3)	C 6x30mm  x24(+2)	D 6x35mm  x10(+1)	E 3.5x12mm  x2(+2)
F 3x16mm  F1  F2 x16(+1)	G 3x16mm  G1  G2  x1	H 6x30mm  x2	I 4x14mm  I1  I2 x2	J  x4
K 18mm  x14(+1)	L  x4	M  x2	N 4x20mm  N1  N2  x2	

Step 1

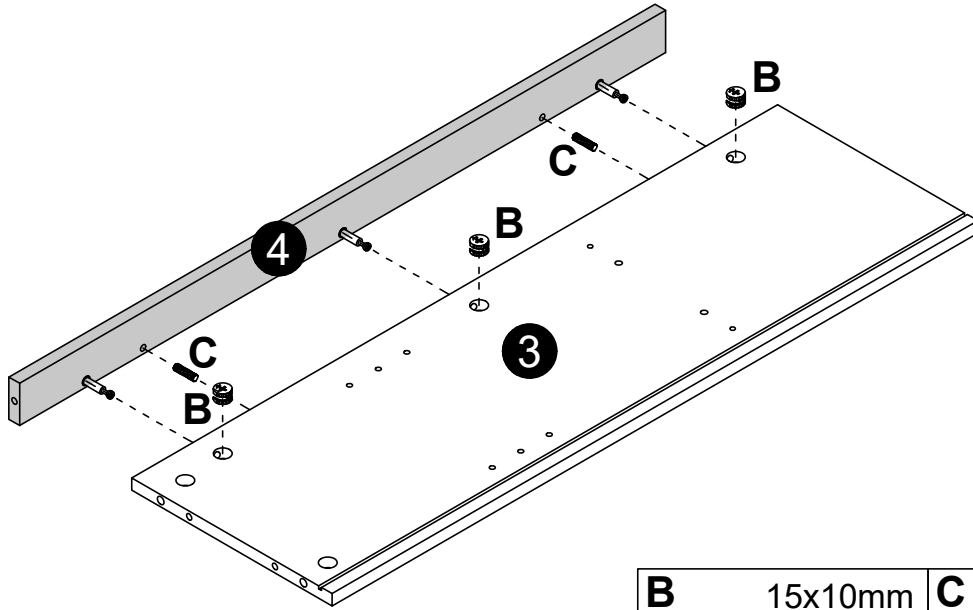
x2



Step 2

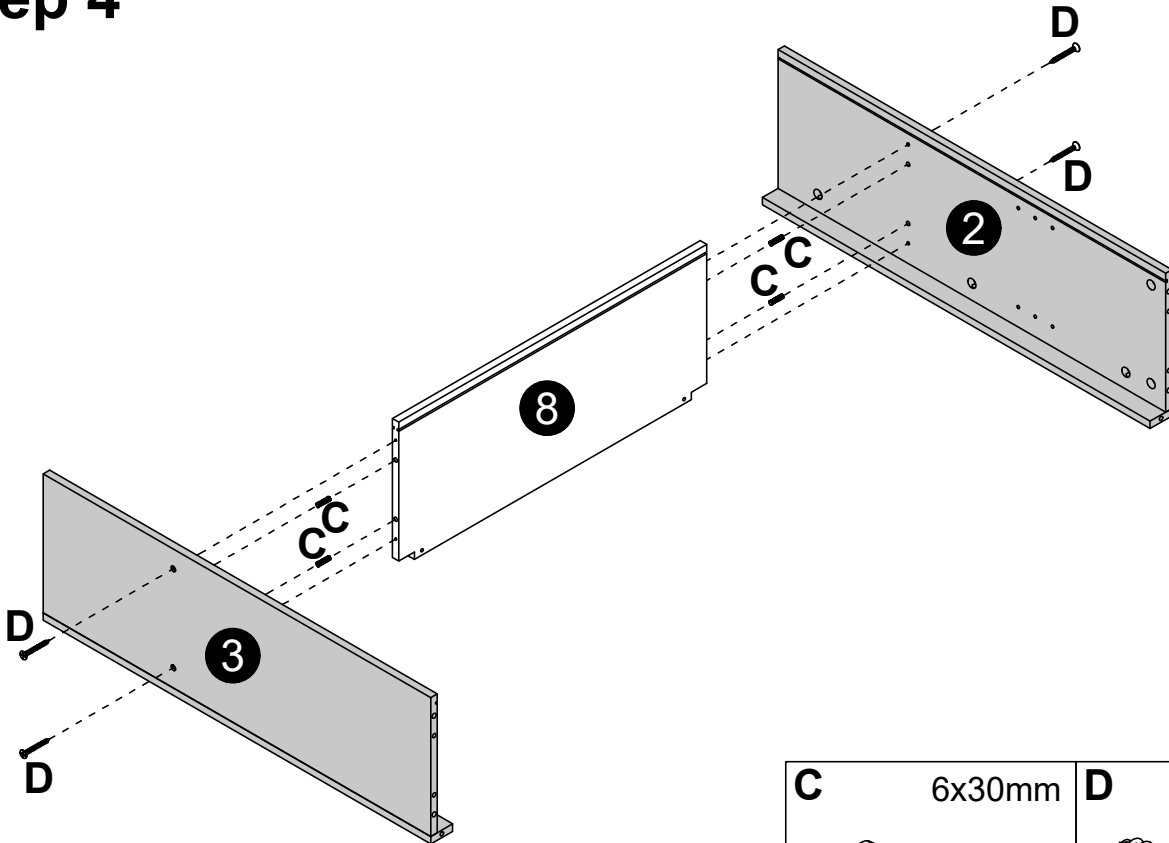


Step 3



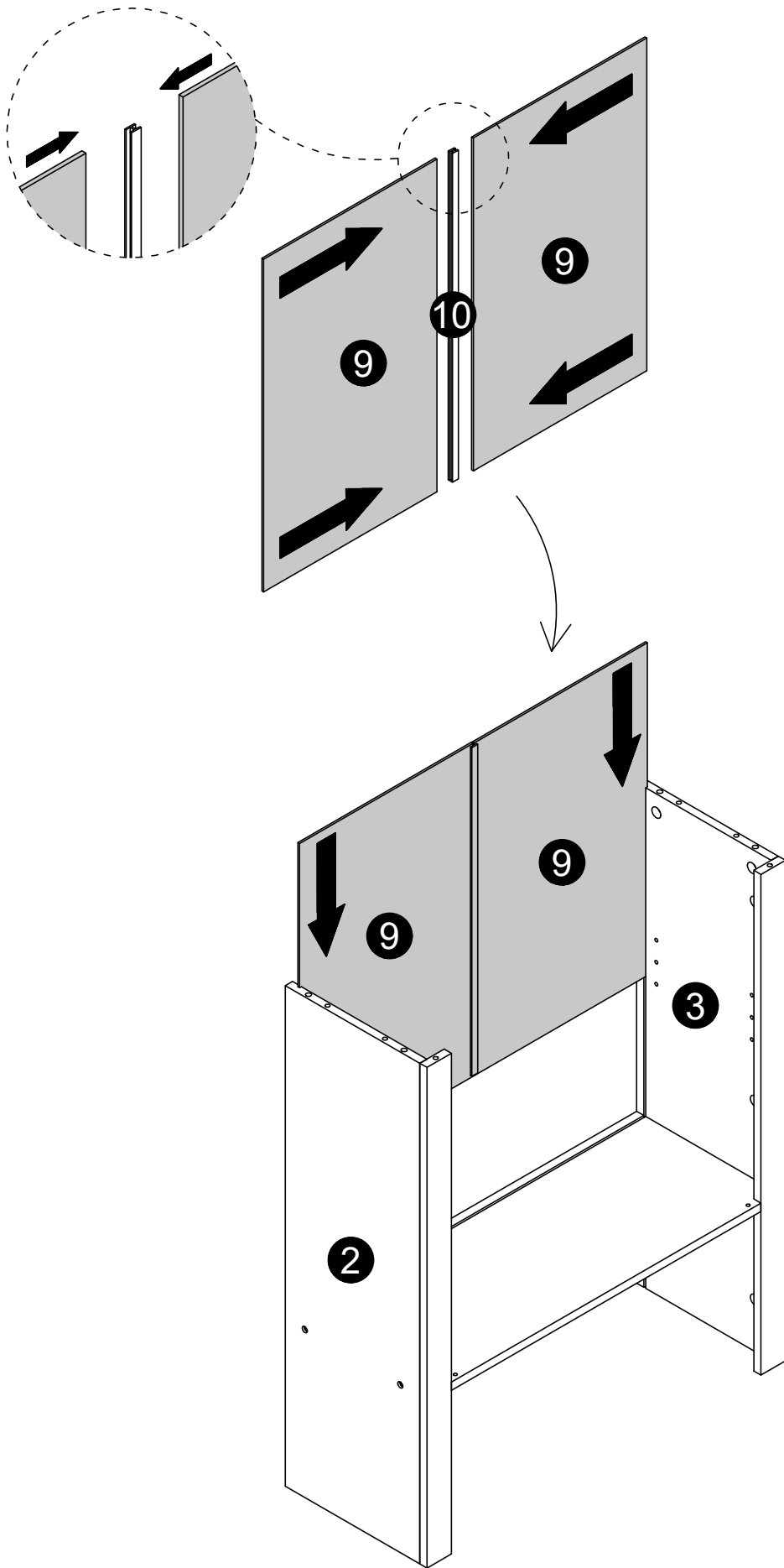
B	15x10mm	C	6x30mm
	x3		x2

Step 4

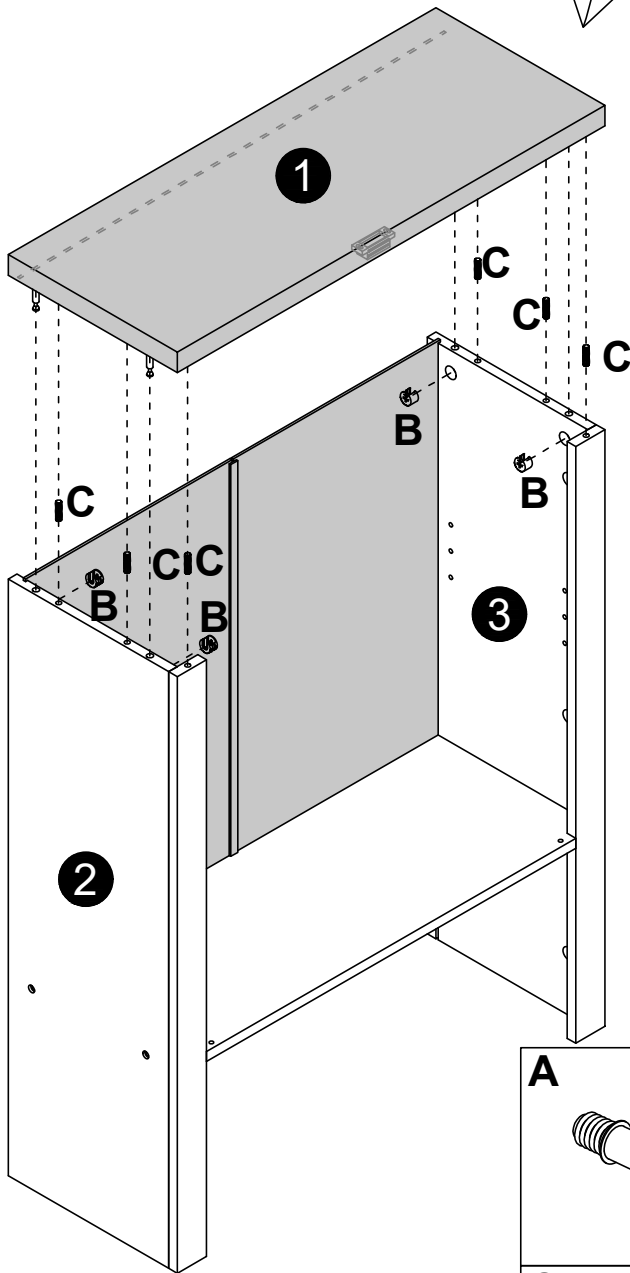
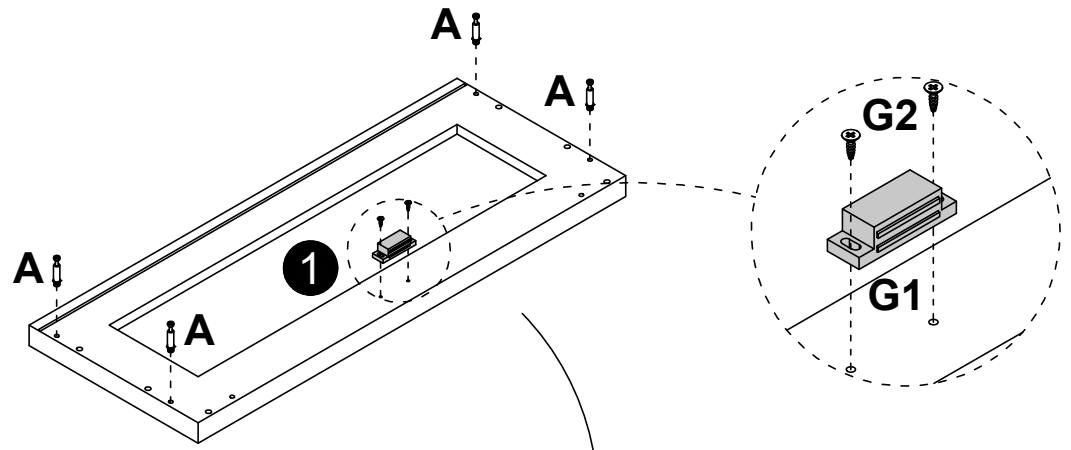


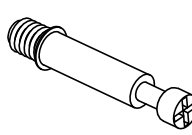




C	6x30mm	D	4x35mm
	x4		x4

Step 5

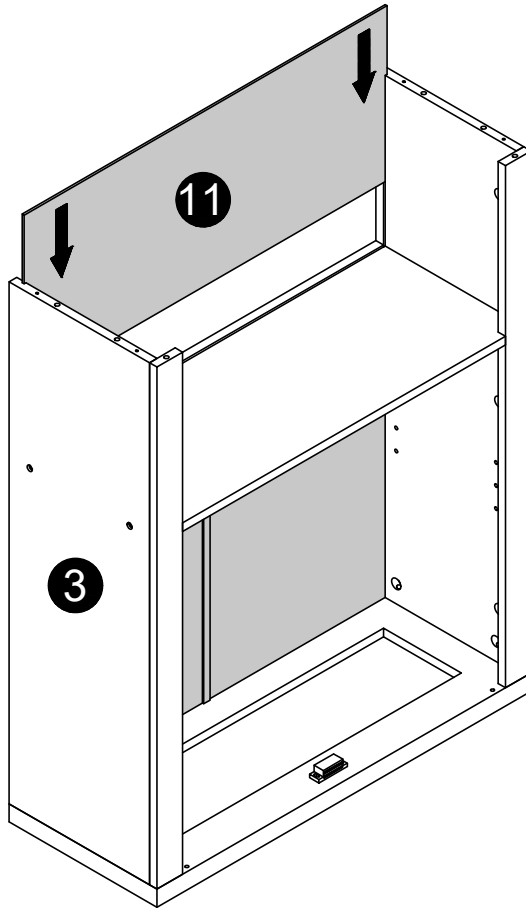


Step 6

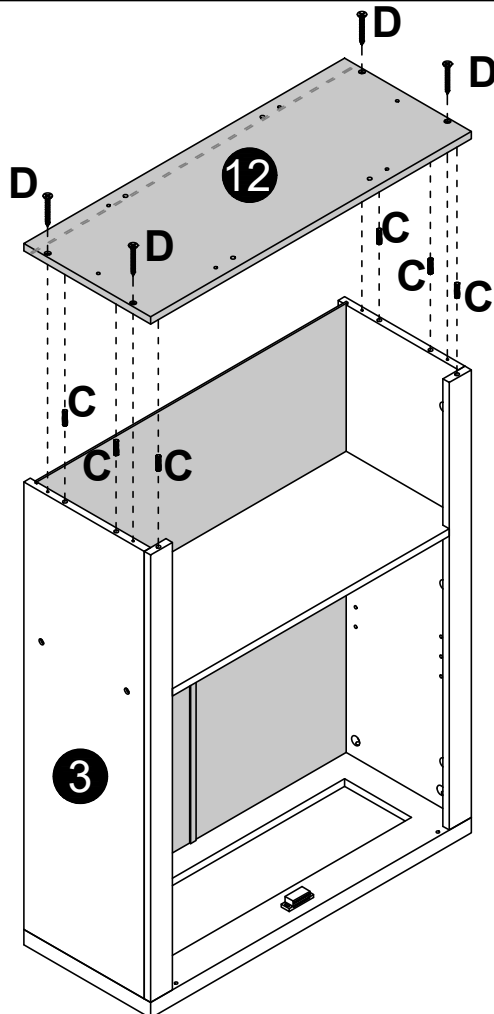


<p>A 6x35mm</p>  <p>x4</p>	<p>B 15x10mm</p>  <p>x4</p>
<p>C 6x30mm</p>  <p>x6</p>	<p>G 3x16mm</p> <p>G1</p>  <p>G2</p>  <p>x1</p>

Step 7

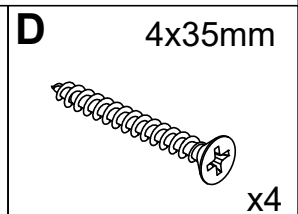
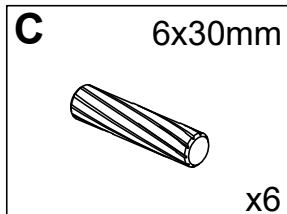


Step 8

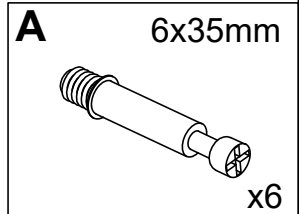
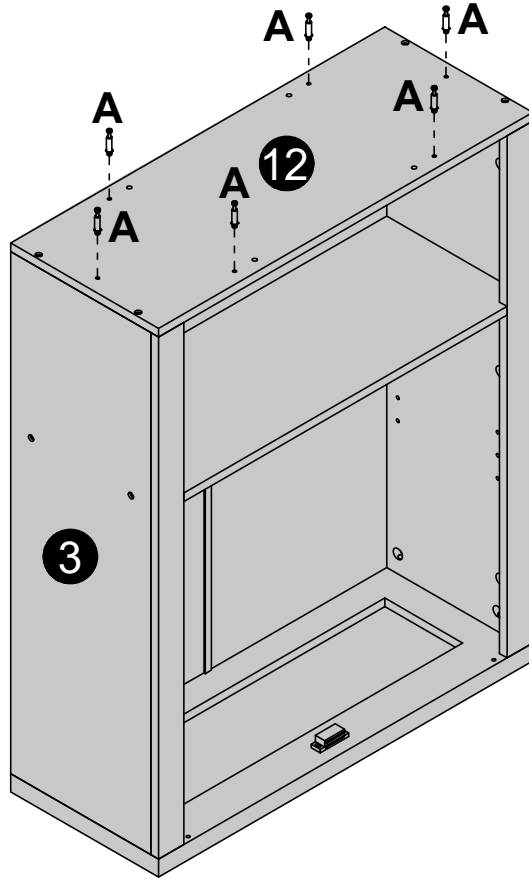


WARNING

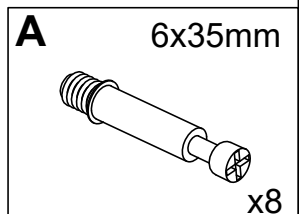
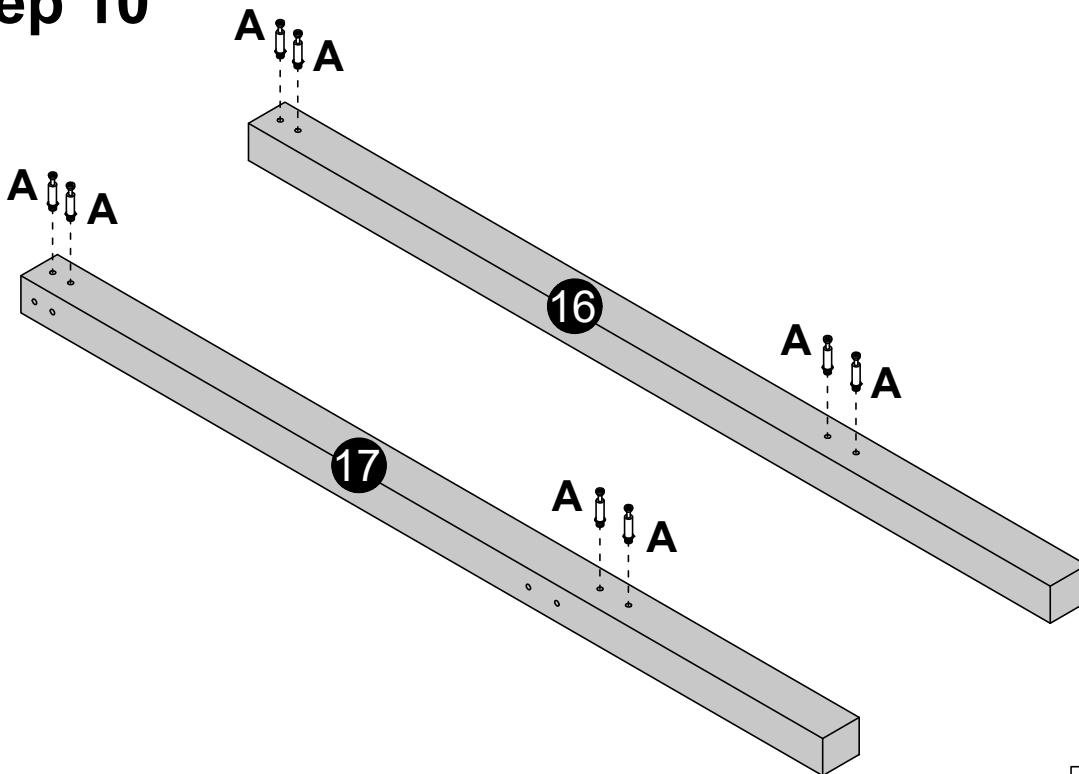
Note the installation direction of Part 12!



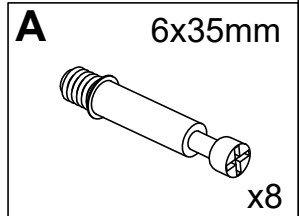
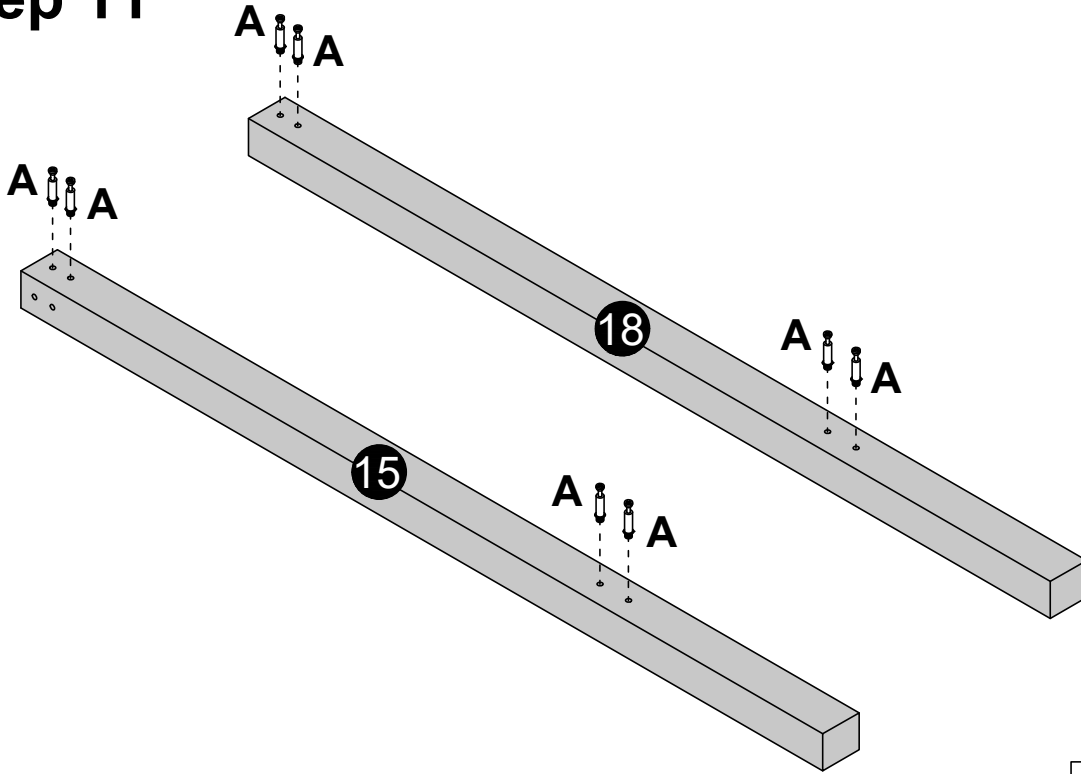
Step 9



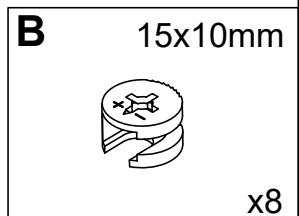
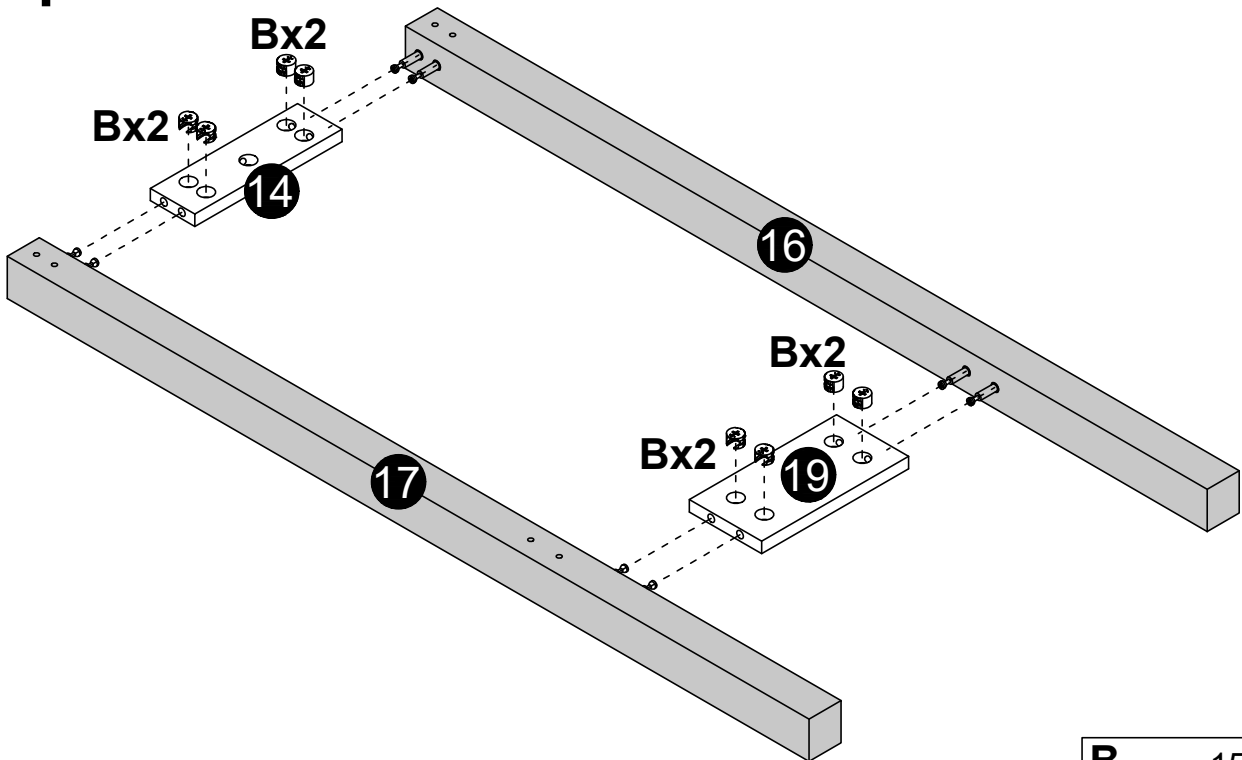
Step 10



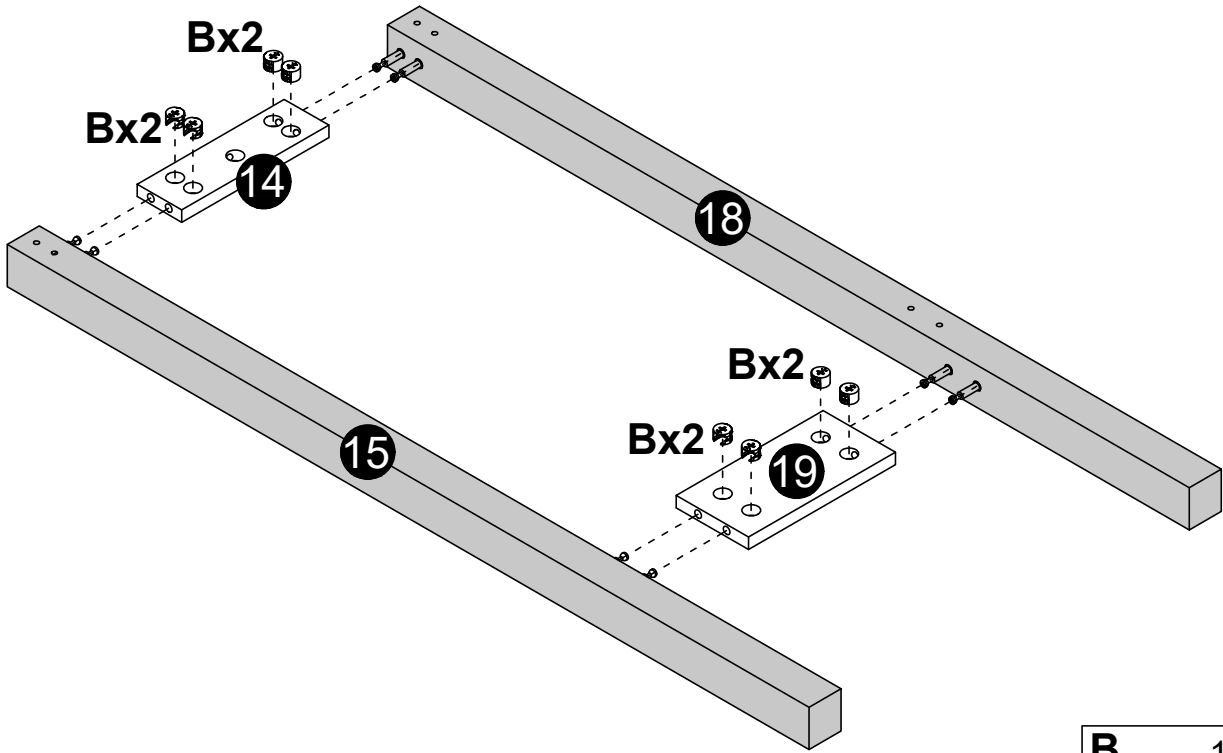
Step 11



Step 12



Step 13

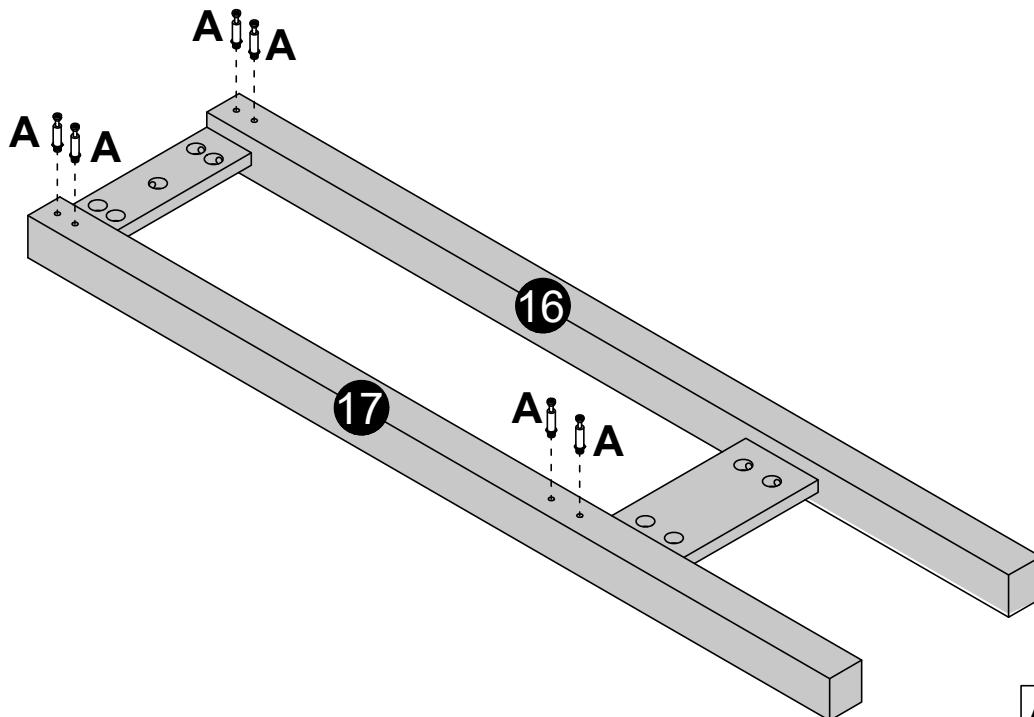


B 15x10mm

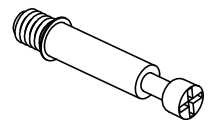


x8

Step 14

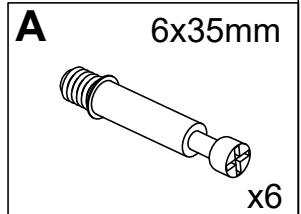
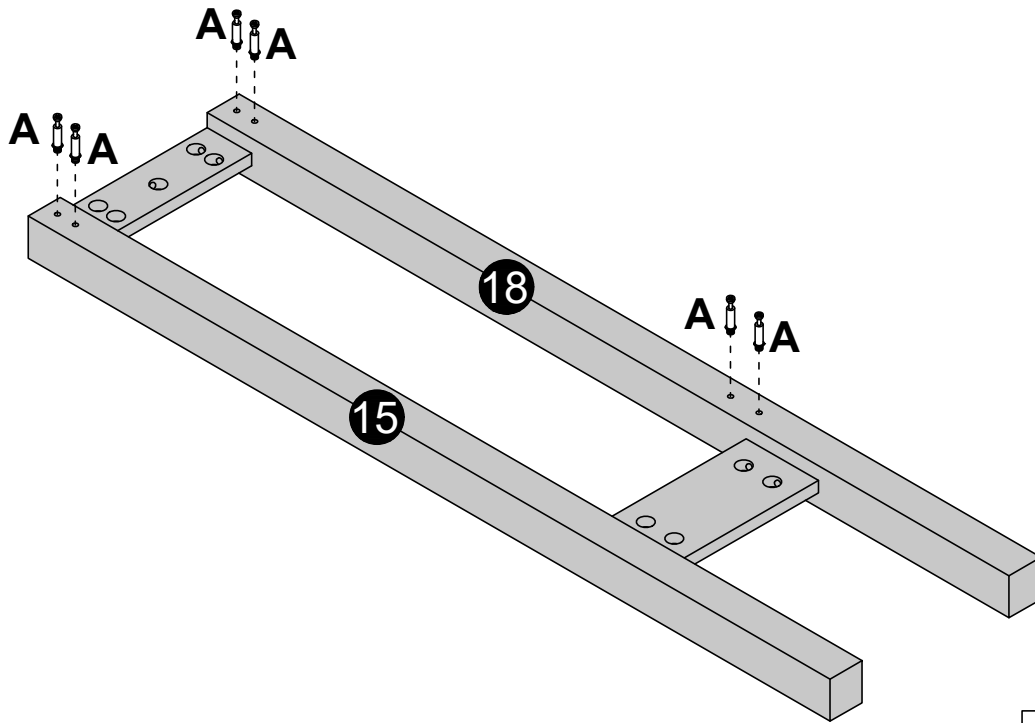


A 6x35mm

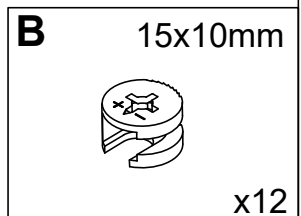
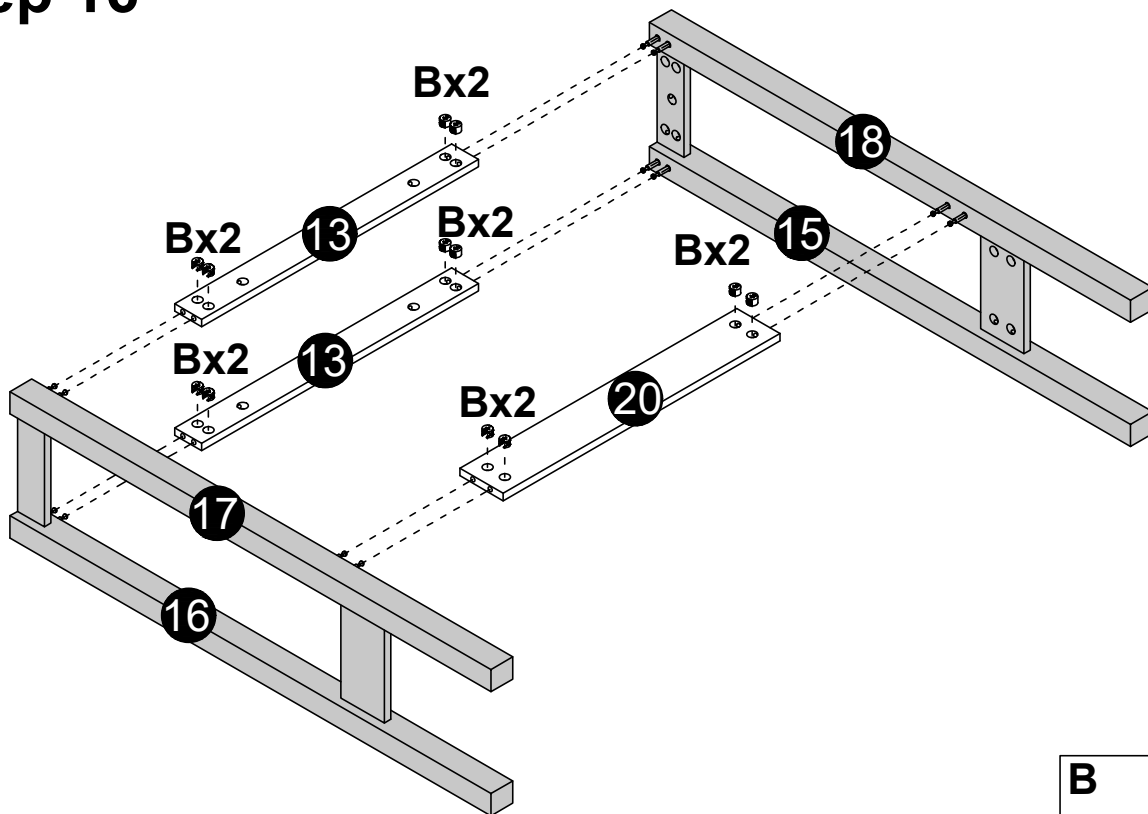


x6

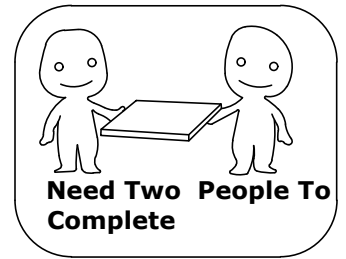
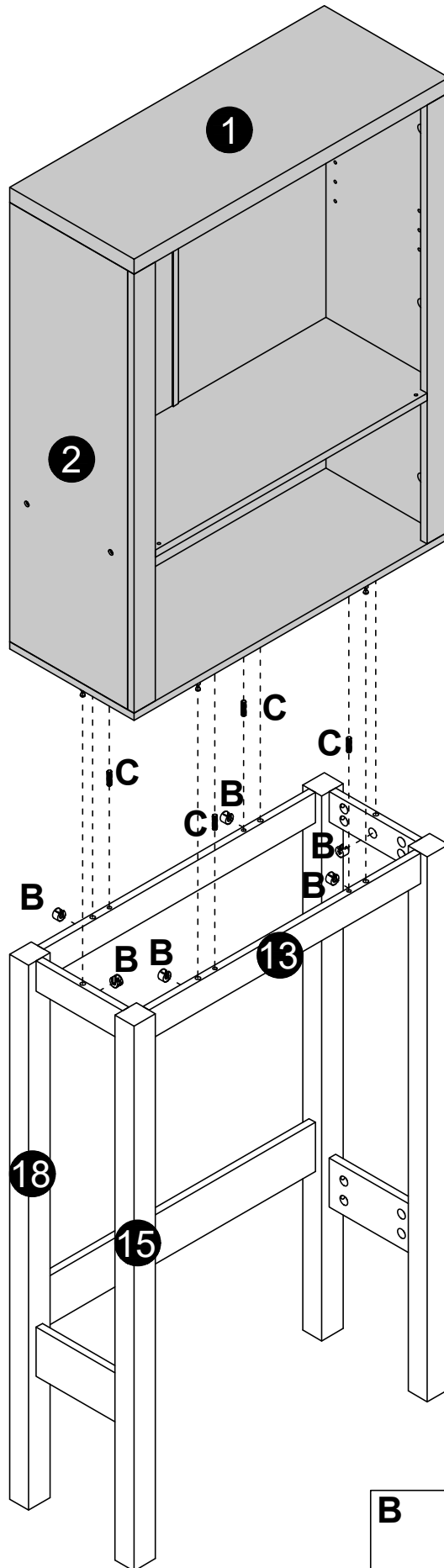
Step 15





Step 16

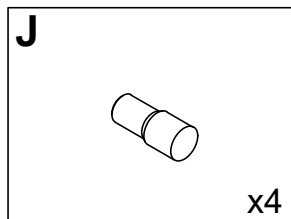
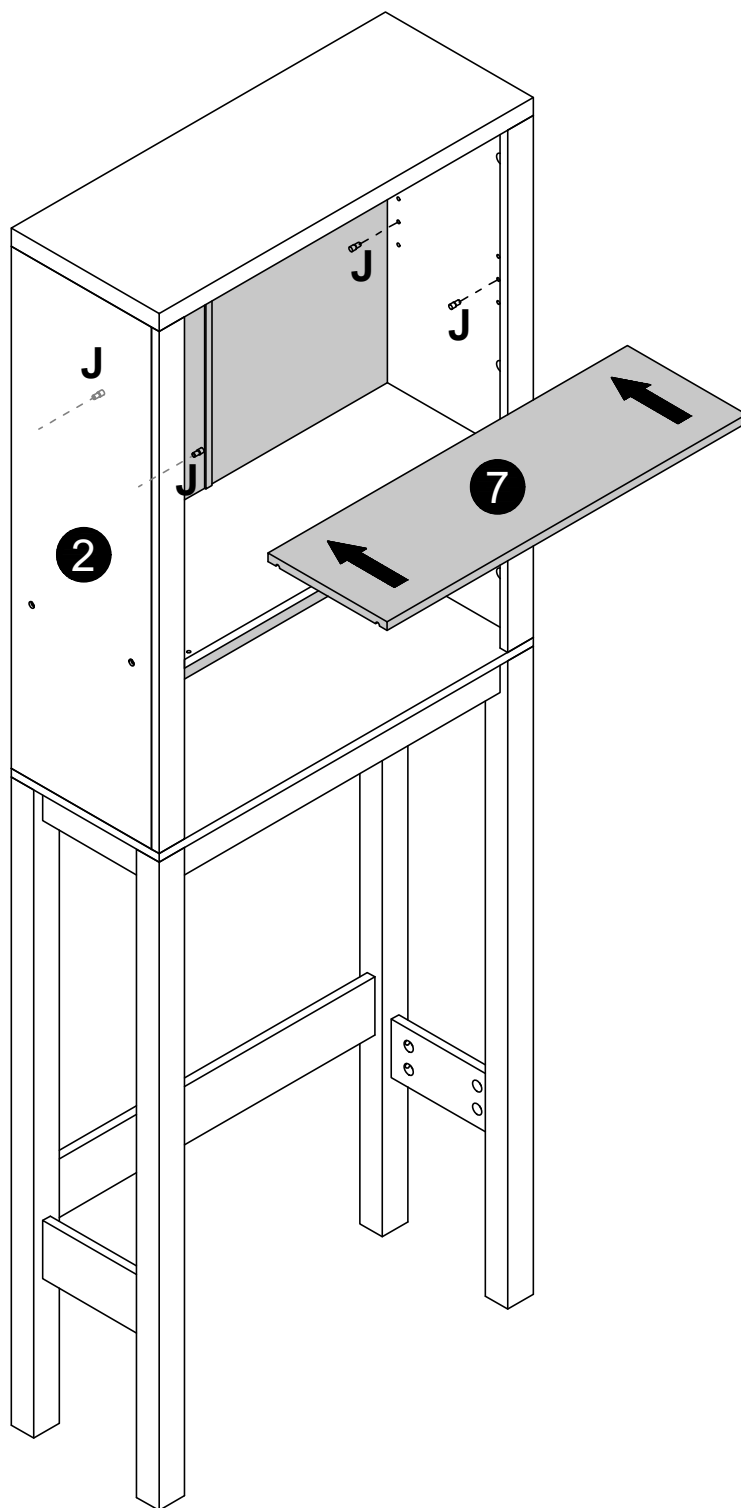


Step 17

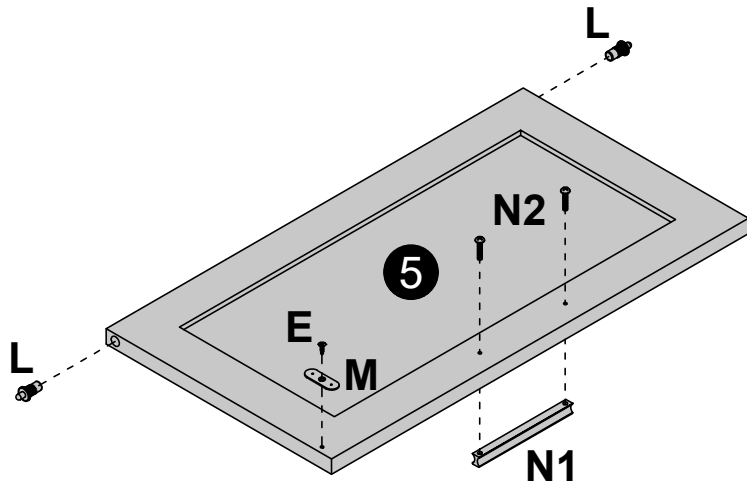


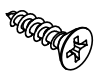




B	15x10mm	C	6x30mm
			
	x6		x4

Step 18

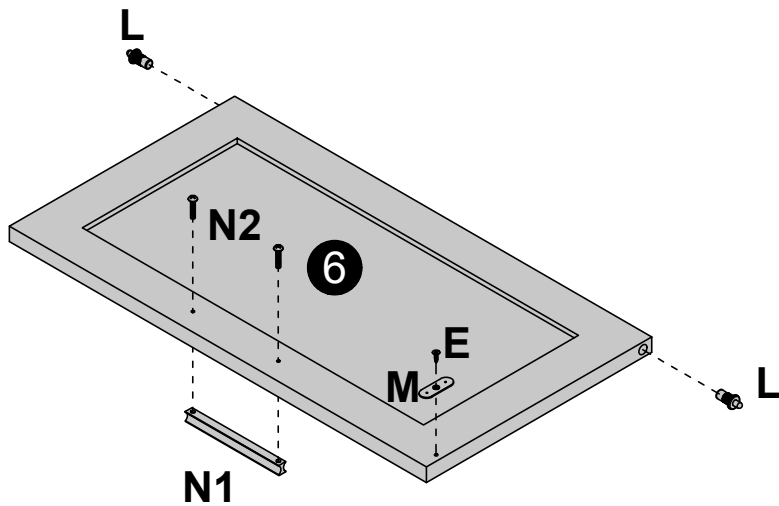


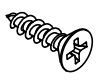




Step 19



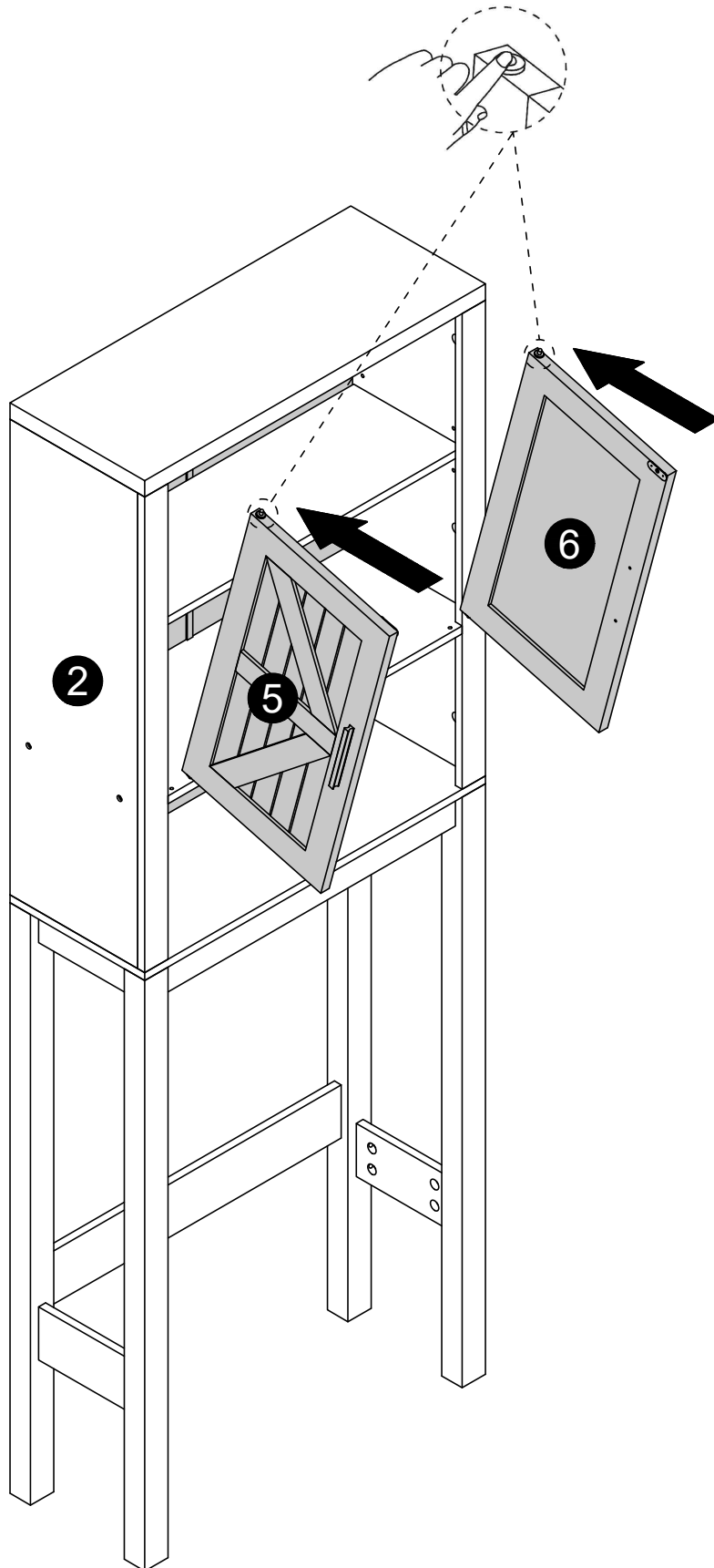
E 3.5x12mm  x1	L  x2	M  x1	N 4x20mm   N1 N2 x1
---	--	--	---

Step 20

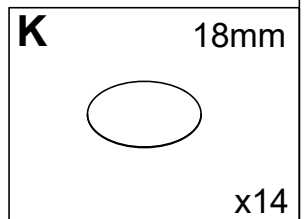
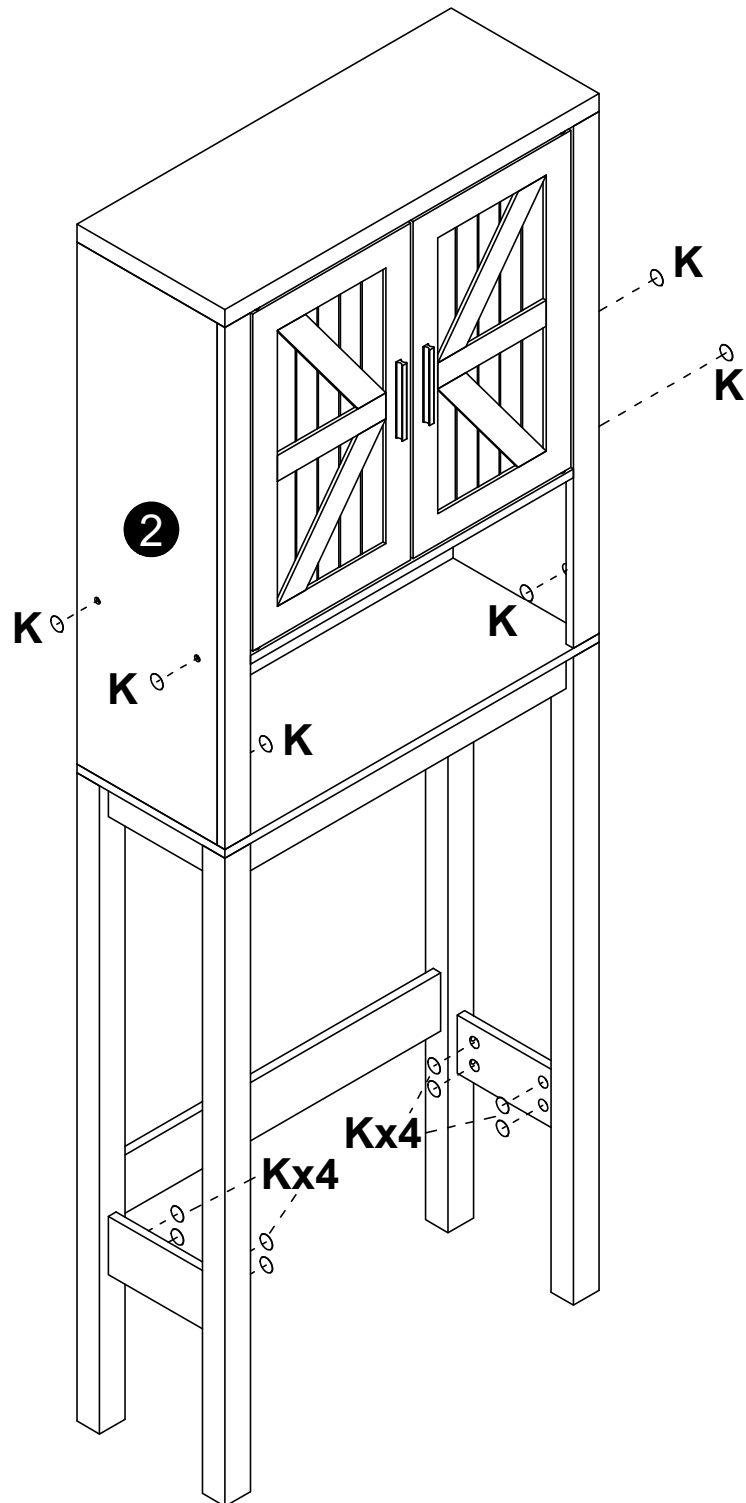


E 3.5x12mm  x1	L  x2	M  x1	N 4x20mm   N1 N2 x1
--	---	---	---

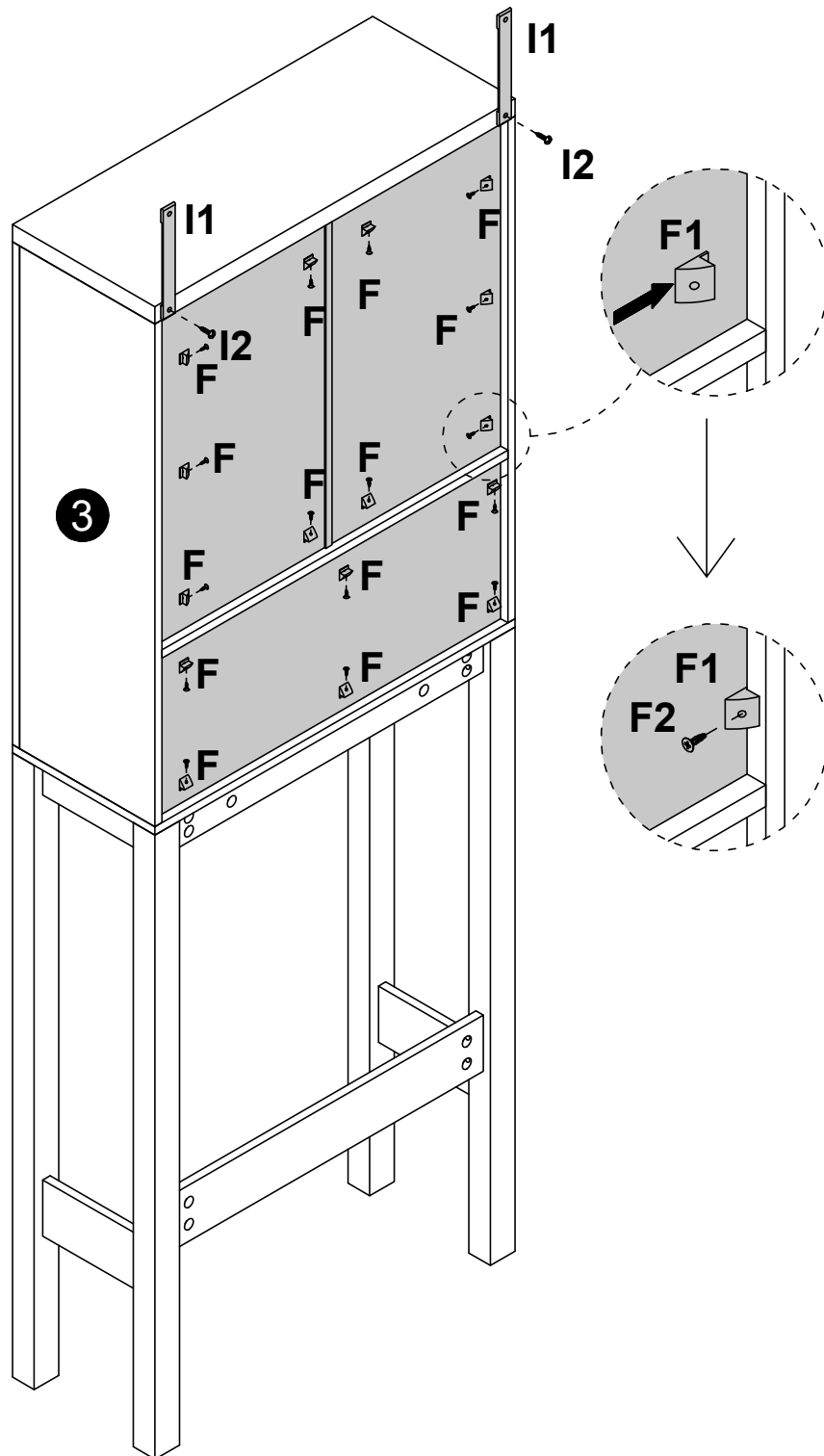
Step 21

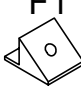

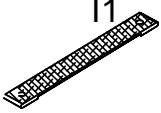
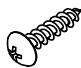


Step 22



Step 23



F	3x16mm	I	4x14mm
F1	F2	I1	I2
			
	x16		x2

Step 24

