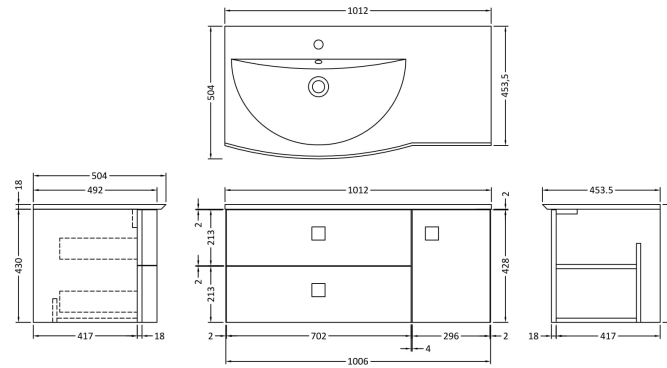


Sales Code: SAR302L

Description: 1000 W/H 2 Drawer Unit & Basin Lh

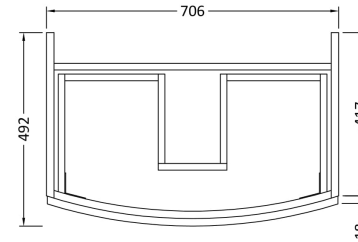
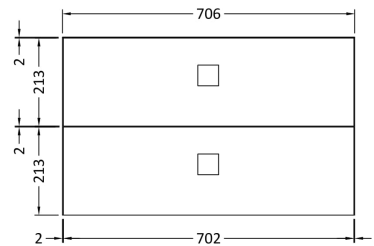
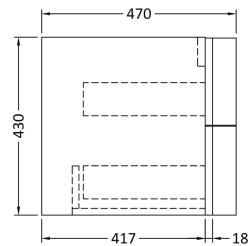


Packaging Details

Barcode: 5056211875055

Sales Code: SAR394

Description: 700 W/H 2 Drawer Unit



Product Dimensions

Height (mm):	430
Width (mm):	710
Depth (mm):	480
Nett Weight (kg):	22

Packaging Dimensions

Height (mm):	500
Width (mm):	700
Depth (mm):	470
Gross Weight (kg):	22

Packaging Data

Box Colour:	Brown Cardboard Box
Box Qty:	1
Label Size:	100 x 50
Label Colour:	White Label
Label Qty:	2

Outer Box Dimensions (If Applicable)

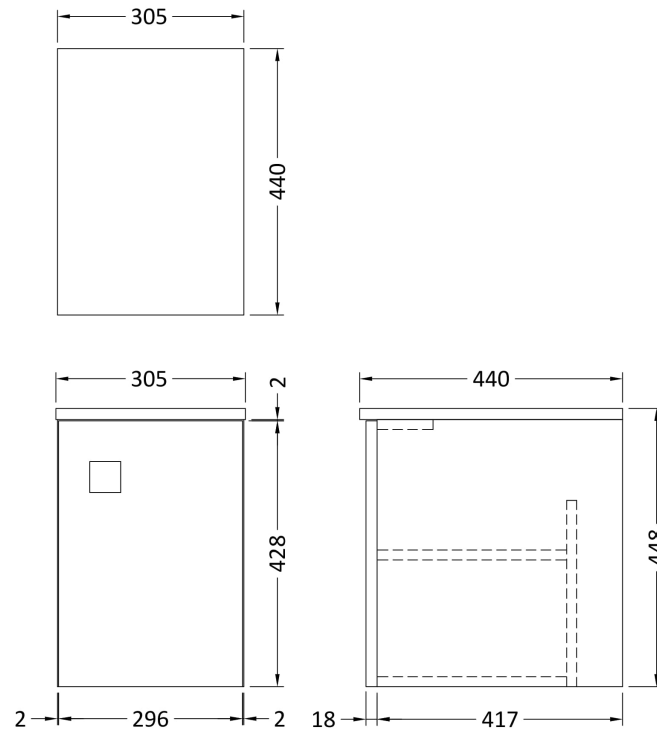
Height (mm):	
Width (mm):	
Depth (mm):	
Gross Weight (kg):	
Barcode:	5056211873860

Product Details

Country of Origin:	Ukraine
Fitting Instruction:	No
Certification:	FSC: Yes CE: N/A
Colour:	Mineral Blue
Construction Method:	Cam & Wood Dowel
Construction Type:	Rigid
Cabinet Finish:	MFC Smooth Matt
Fascia Finish:	MFC Smooth Matt
Cabinet Thickness (mm):	18
Fascia Thickness (mm):	18
Drawer Included:	Yes
Drawer Type:	80mm High Metal Softclose
No of Shelves:	0
Hinge Type:	Not Applicable
Hinge Included:	Not Applicable
Adjustable Legs:	No
Fixings Included:	Yes
Handle Style:	Modern
Handle Included:	Yes
Waste Shroud:	Yes
Handle Type:	Square

Sales Code: SAR360

Description: 300 W/H Side Cabinet



Product Dimensions

Height (mm):	
Width (mm):	
Depth (mm):	
Nett Weight (kg):	14

Packaging Dimensions

Height (mm):	450
Width (mm):	320
Depth (mm):	425
Gross Weight (kg):	14

Packaging Data

Box Colour:	Brown Cardboard Box
Box Qty:	1
Label Size:	100 x 50
Label Colour:	White Label
Label Qty:	2

Outer Box Dimensions (If Applicable)

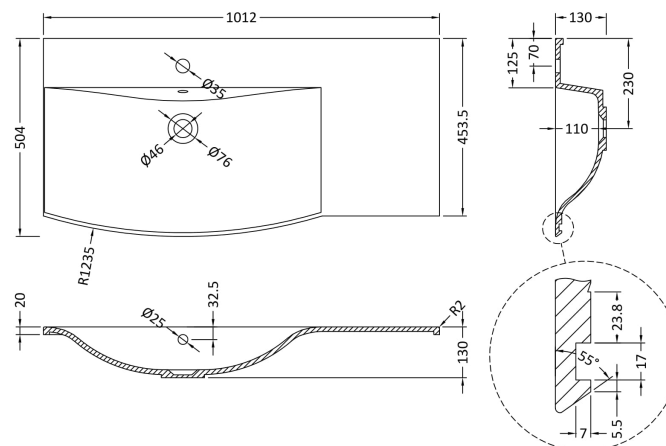
Height (mm):	
Width (mm):	
Depth (mm):	
Gross Weight (kg):	
Barcode:	5056211873891

Product Details

Country of Origin:	Ukraine
Fitting Instruction:	Yes
Certification:	FSC: Yes CE: N/A
Colour:	Mineral Blue
Construction Method:	Cam & Wood Dowel
Construction Type:	Rigid
Cabinet Finish:	MFC Smooth Matt
Fascia Finish:	MFC Smooth Matt
Cabinet Thickness (mm):	18
Fascia Thickness (mm):	18
Drawer Included:	No
Drawer Type:	Not Applicable
No of Shelves:	
Hinge Type:	95 Degree Clip-On Soft Close
Hinge Included:	Yes
Adjustable Legs:	No
Fixings Included:	Yes
Handle Style:	Modern
Handle Included:	Yes
Waste Shroud:	No
Handle Type:	Square

Sales Code: FMB0093L

Description: 1012 X 504 Vanity Basin Lh



Product Dimensions

Height (mm):	130
Width (mm):	1012
Depth (mm):	504
Nett Weight (kg):	13.5

Packaging Dimensions

Height (mm):	110
Width (mm):	1012
Depth (mm):	504
Gross Weight (kg):	13.5

Packaging Data

Box Colour:	Brown Cardboard Box - Printed
Box Qty:	1
Label Size:	100 x 50
Label Colour:	White Label
Label Qty:	2

Outer Box Dimensions (If Applicable)

Height (mm):	
Width (mm):	
Depth (mm):	
Gross Weight (kg):	
Barcode:	5055275832479

Product Details

Country of Origin:	Poland
Fitting Instruction:	No
Certification:	CE: N/A WRAS: N/A WRAS No: N/A
Product Material:	Polymarble
Fixing Supplied:	No

Pans/Bidets: Trap Style: Not Applicable Includes Seat: Not Applicable

Seats: Seat Type: Not Applicable Material: Not Applicable
Function: Not Applicable Hinge Type: Not Applicable
Hinge Material: Not Applicable

Cisterns: Operating Type: Not Applicable Fittings: Not Applicable
Lever Type: Not Applicable

Basins: Tap Hole: One Taphole Chain Stay Hole: No
Template: Not Required Waste Type Req: Slotted
Overflow Inc: Yes Overflow Cover: Yes
Inner Bowl Depth (mm): 105mm