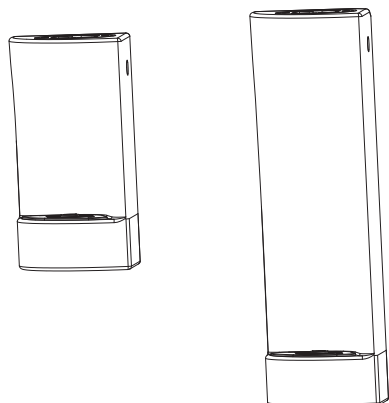


Assembly instructions
Instructions de montage



Moai B/35 - B/60
Gonzalo Milà

DATA / RENSEIGNEMENTS

LIGHT / LUMINAIRE: Moai B/35 - B/60
TYPOLOGY / TYPOLOGIE: BOLLAR / LAMPE DE BALISE
YEAR / ANNÉE: 2017

TESTS / TESTS

This product has been subjected to the electrical safety test for: continuity, insulation, dielectric strength.

Ce produit a été soumis à des tests de sécurité électrique: continuité, isolation, rigidité diélectrique et prise de terre.

CLEANING INSTRUCTIONS INSTRUCTION POUR LE NETTOYAGE

Do not use alcohol or solvents, use a soft cloth.

Ne pas utiliser d'alcool ou d'autres solvants, utilisez un chiffon doux.

CERTIFIED BY / CERTIFIÉ PAR



All products are manufactured according to the standards:

Tous les produits sont fabriqués selon les standards suivants:

UL 1598 / UL8750
CSA C22.2 No 250.0



LED 6,5 W



TECHNICAL DATA / INFORMATIONS TECHNIQUES

*Light for wet locations use.
Input voltage: 120V ~ 60Hz*

Luminaire pour emplacements humides.
Tension d'alimentation: 120 V ~ 60Hz

BOVER IL-LUMINACIÓ & MOBILIARI SL

BOVER

Avinguda Catalunya, 173
Pol. Ind. Sud
08440 Cardedeu
Barcelona · Spain

Tel.: +34 93 871 31 52 / +34 93 844 47 54
Fax: +34 93 846 20 89
e-mail: info@bover.es
e-mail: export@bover.es
www.bover.es



CAUTION

THIS PRODUCT MUST BE INSTALLED IN ACCORDANCE WITH THE APPLICABLE INSTALLATION CODE BY A PERSON FAMILIAR WITH THE CONSTRUCTION AND OPERATION OF THE PRODUCT AND THE HAZARDS INVOLVED.

No loose strands or loose connections should be present. Secure with U.L. certified wire connectors and electrical tape.



WARNING

The electricity **MUST** be turned off at the MAINS FUSE BOX before installing this luminaire; turning the power off using the light switch is not sufficient to prevent electrical shock.

Luminaires weighting 25 lbs (50 lbs for U.S.A) or more must be mounted directly to the building structure, independently of the electrical box; this installation should not be made on a radiant heat type ceiling.

The luminaire is not intended to support external weight other than the provided components.

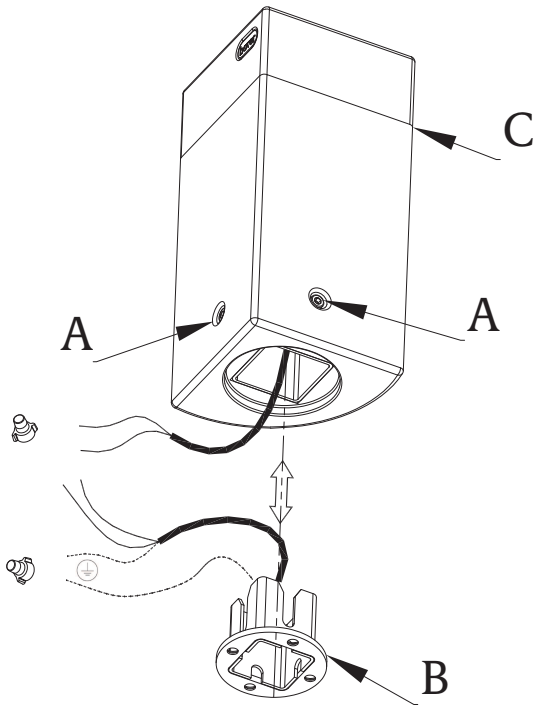


ELECTRICAL CONNECTION

Attach grounding wire (green insulate or bare copper) from the supplier circuit to the mounting bracket with the green ground attachment screw provided.

Connect the grounding wire of the luminaire to the ground conductor of the supply circuit. Attach all grounding conductors to the mounting bracket with the green ground wire attachment screw.

Referring to the Wire Connection Chart, connect the black and white wires



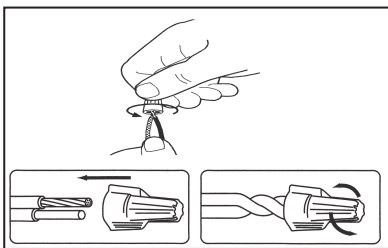
ASSEMBLY INSTRUCTIONS

Untighten the A screw to free the B structure from C body. Secure to the floor taking care of main power supply, it must outstand from B.

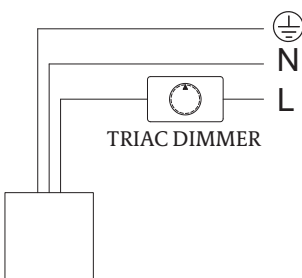
Connect to mains, the outstanding wiring must be allocated in C body.

Align and insert C body in B structure.

Tighten A screw..



TRIAC WIRING DIAGRAM



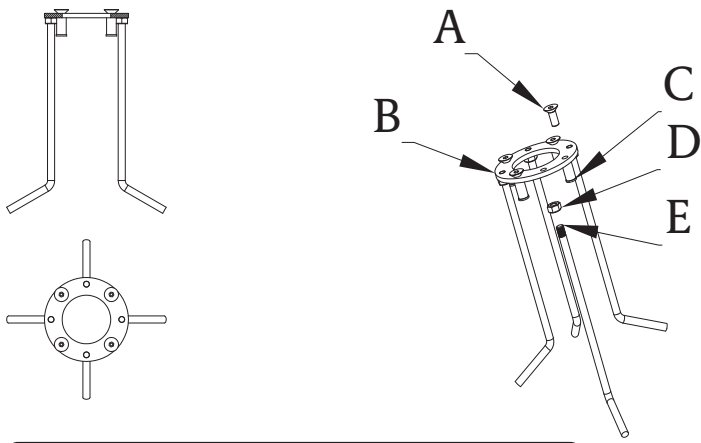
Dimmer Recommended	
Brand	Parts NO.
LUTRON	SKYLARK S-600
LUTRON	SKYLARK S-600P
LEVITON	Sureslide 6631
LEVITON	IllumaTech IPI06

NOTE:

Due to LED manufacturing process characteristics, luminaires including this light source may have a slight variation in the light tone.

In case of damage or breakage of the diffuser or joints they must be replaced, otherwise the lamp will lose protection.

WATERPROOF CONNECTOR BOX



ASSEMBLY INSTRUCTIONS

INSTALLATION WITH FOUNDATION

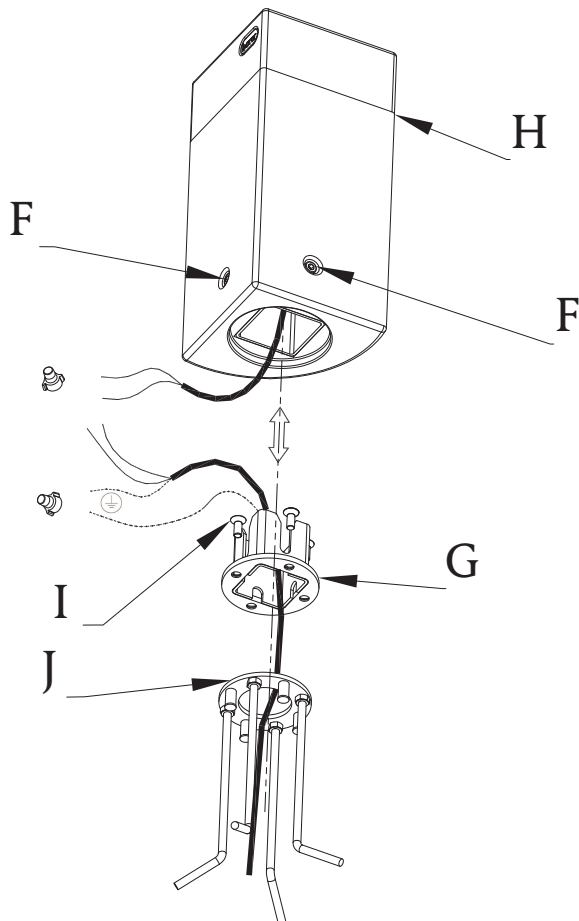
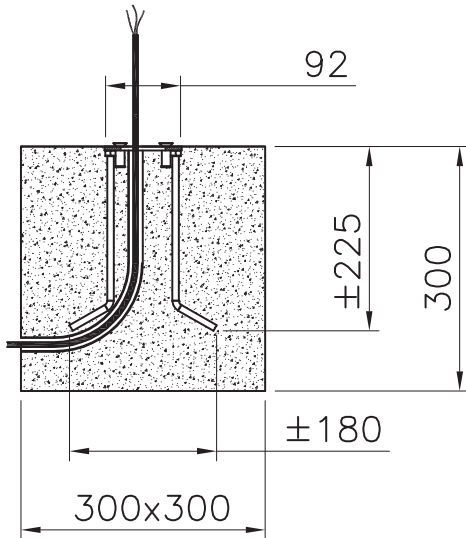
Assembly of the Structure:

Screw the 4 A screws in the B disc, please protect them with the 4 C protectors provided.

Screw the 4 D nuts in the E bars. Screw the 4 E bars in the B ring (take care: the bars must not outstand from the disc). Strongly tighten the E bars to the B ring with the D nuts.

Make the foundation like in Z detail with the complete structure.

Z Detail



INSTALLATION WITH FOUNDATION

Untax the F screw to free the G structure from H body.

Take off the 4 I screws from the the foundation (J).

Secure to the floor with the 4 I screws previously taken off, taking care of main power supply, it must outstand from G.

Connect to mains, the outstanding wiring must be allocated in the H body.

Align and insert H body in G structure.

Tighten the F screw.

