

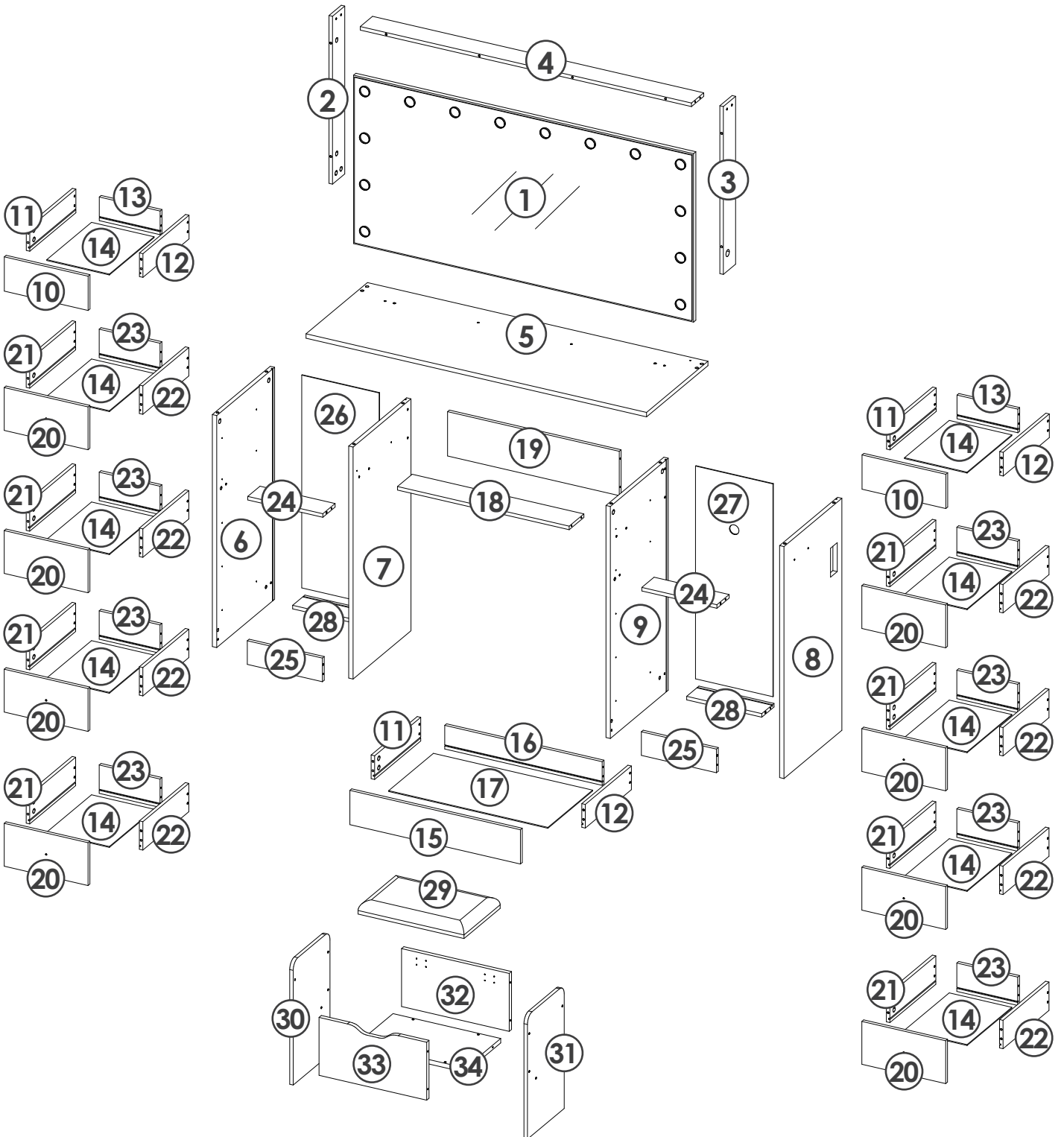
USER MANUAL

Model: JY-241230

INTRODUCTION

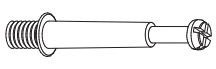



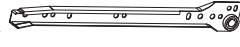
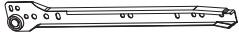



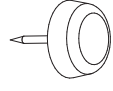
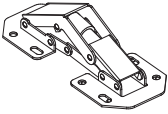
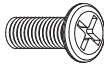


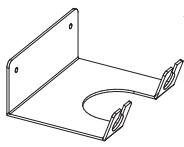




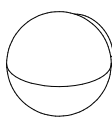
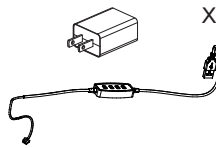
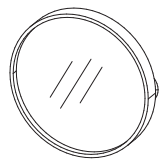
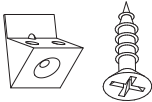
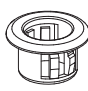
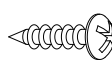

Thank you very much for choosing our makeup vanity. Please read the instruction carefully before assembly and keep it for future reference. If you need further assistance on assembly, please contact our customer service through email.

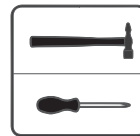
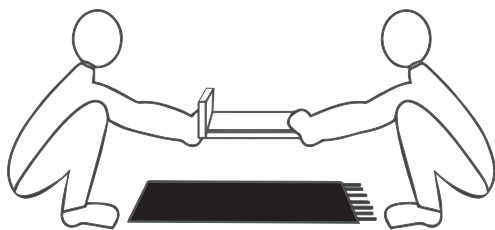
PLATE NUMBER



PARTS LIST

Unit: (mm)

A 6*35 x76pc 	B 15*10 x76pc 	C =CL+CR+DL+DR 12 inches x11sets    	
D 8*40 x2pc 	E M3.5*14 x47pc 	F M5*40/#3 x76 / x1 pc 	G Ø12*5 x12pc 
H Hinge x2pc 	J M4*10 x2pc 	K x1pc 	L 21mm x56pc 
M x1pc 	N M3*12 x44pc 	O 3mm x1pc 	P 6*40 x12pc 
Q M4*16 x11pc 	R LED x14pc 	S x1pc 	T x1pc 
U M3*14 x8pc 	V 12m x1pc 	W M3.5x14 x16pc 	X x1pc 



TIPS

1. When installing the product, use a soft underlay (such as carpet or cardboard) to avoid scratching or damaging the surface of the product.

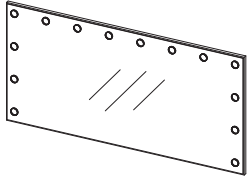
2.

3.

PARTS LIST

Unit: (mm)

①



x1 pc

②



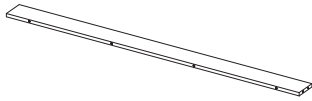
x1 pc

③



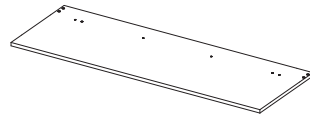
x1 pc

④



x1 pc

⑤



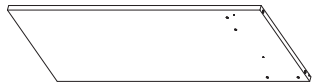
x1 pc

⑥



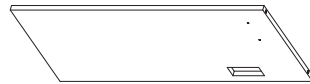
x1 pc

⑦



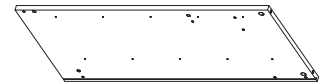
x1 pc

⑧



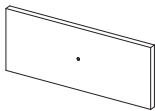
x1 pc

⑨



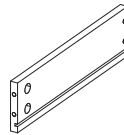
x1 pc

⑩



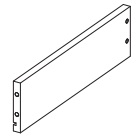
x2 pc

⑪



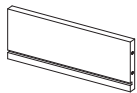
x3 pc

⑫



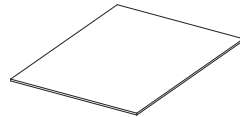
x3 pc

⑬



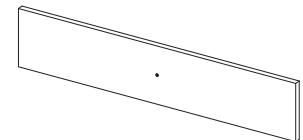
x2 pc

⑭



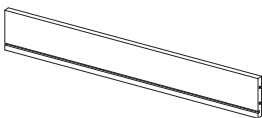
x10 pc

⑮



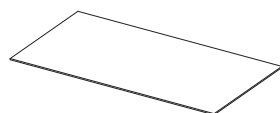
x1 pc

⑯



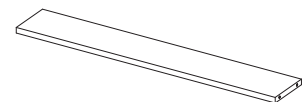
x1 pc

⑰



x1 pc

⑱

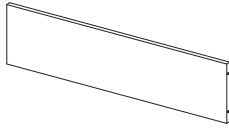


x1 pc

PARTS LIST

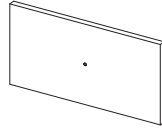
Unit: (mm)

19



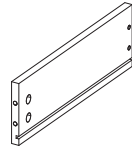
x1 pc

20



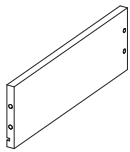
x8 pc

21



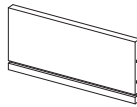
x8 pc

22



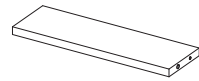
x8 pc

23



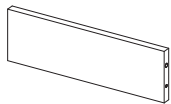
x8 pc

24



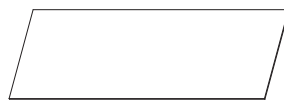
x2 pc

25



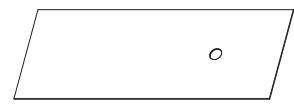
x2 pc

26



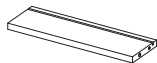
x1 pc

27



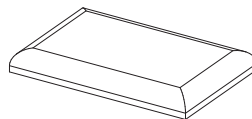
x1 pc

28



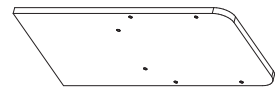
x2 pc

29



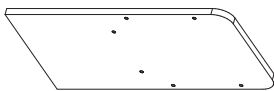
x1 pc

30



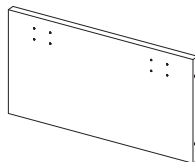
x1 pc

31



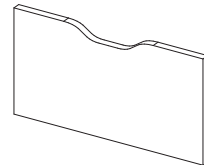
x1 pc

32



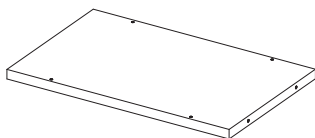
x1 pc

33



x1 pc

34



x1 pc

INSTALLATION INSTRUCTION

1

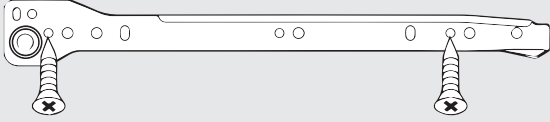
YOU WILL NEED

CL x1

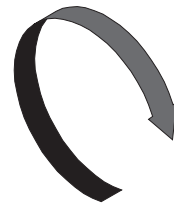
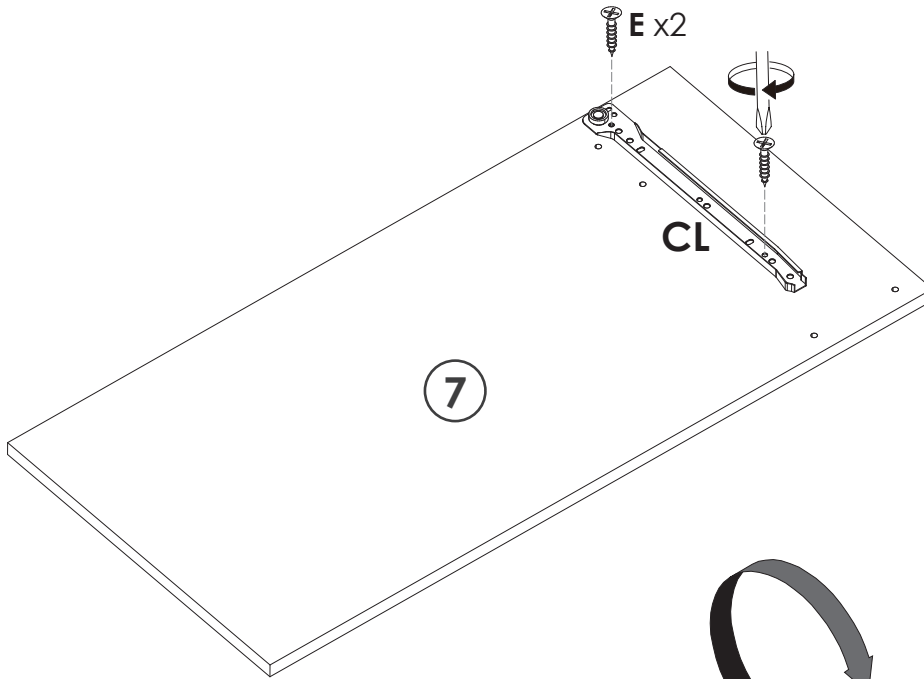
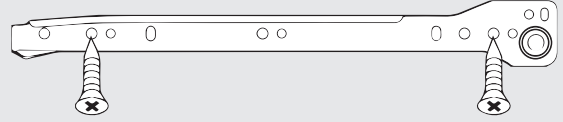
CR x5

E x12

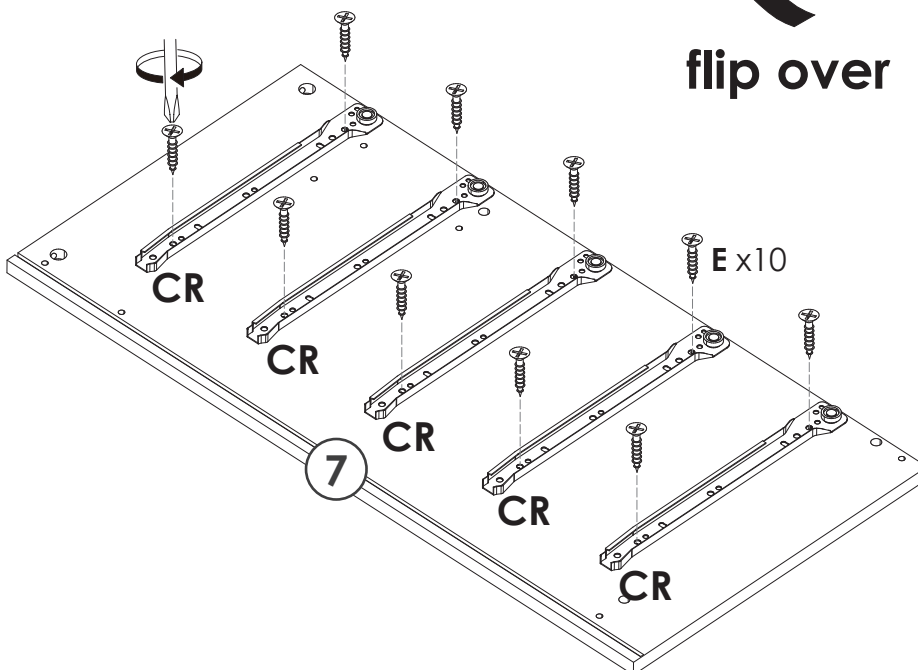
CL



CR



flip over



2

YOU WILL NEED

CL x5

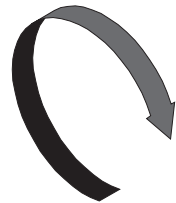
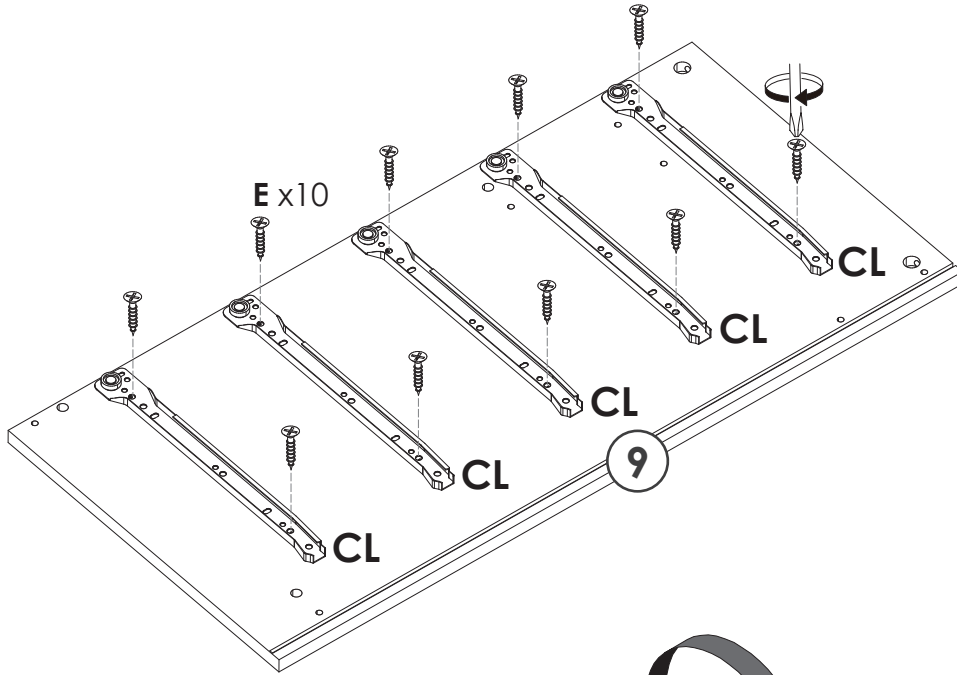
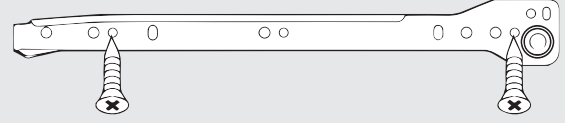
CR x1

E x12

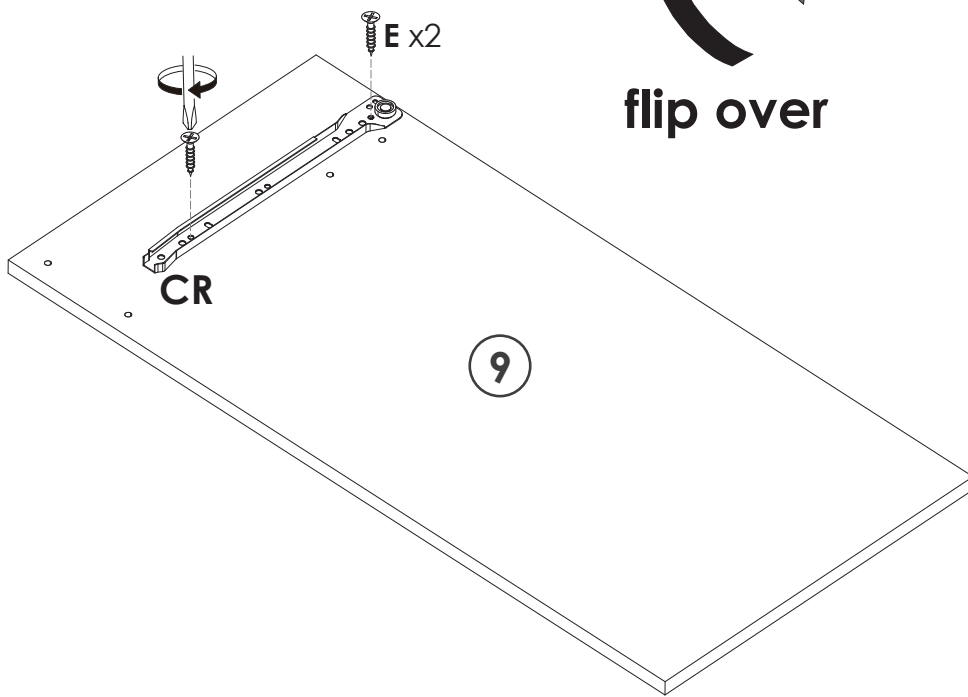
CL



CR



flip over



3

YOU WILL NEED

CL x5

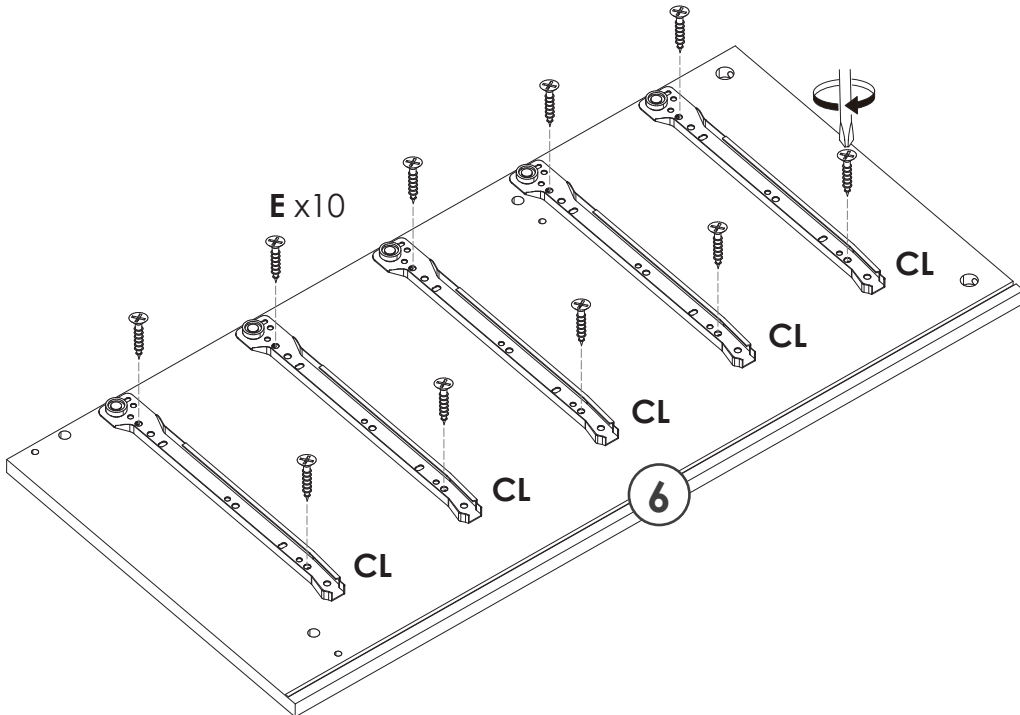
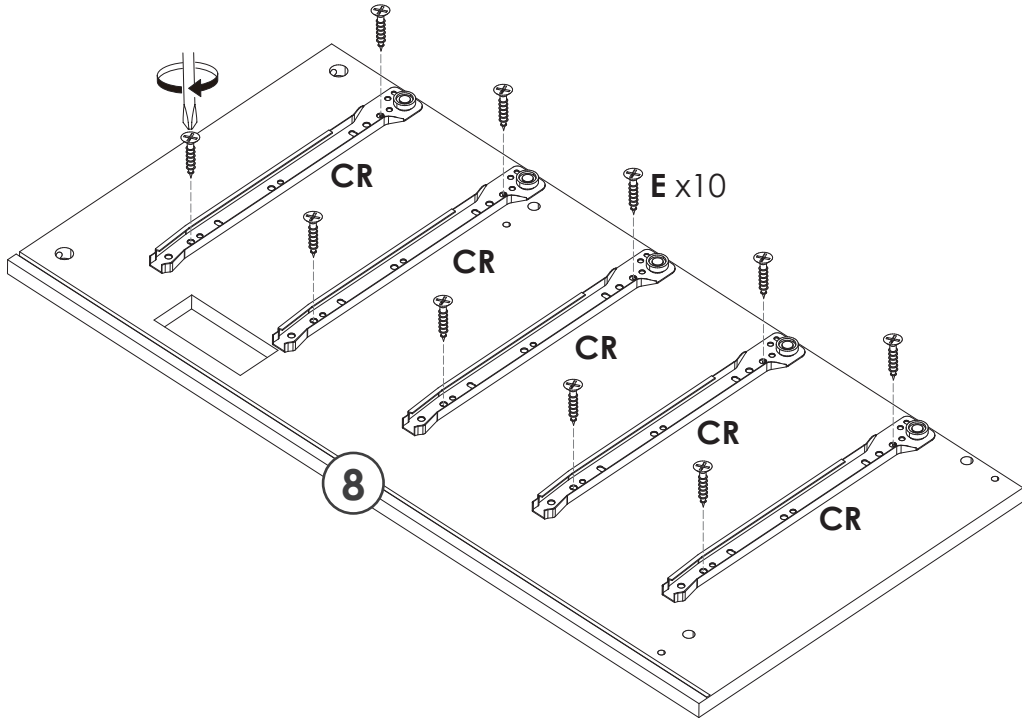
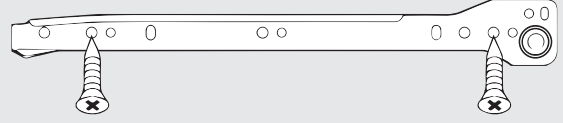
CR x5

E x20

CL



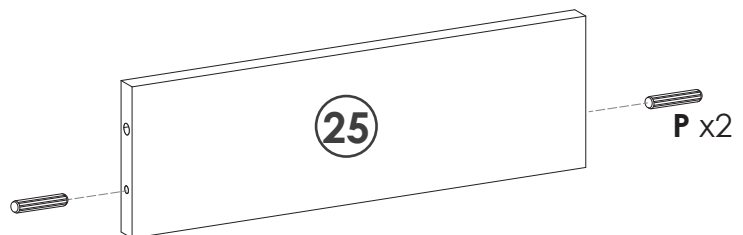
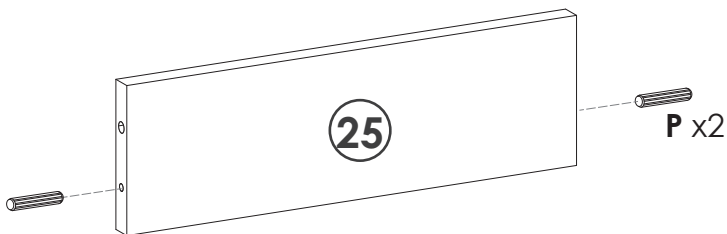
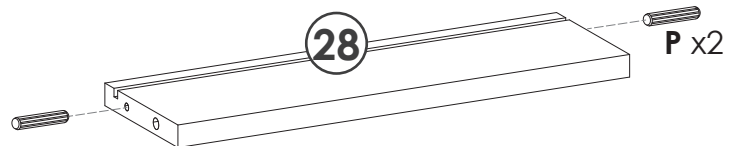
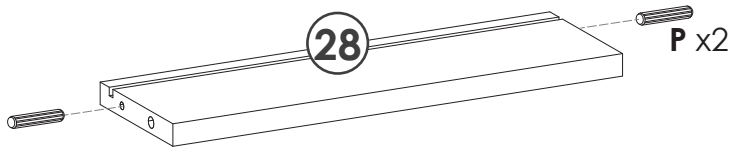
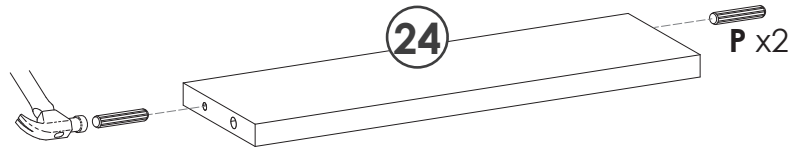
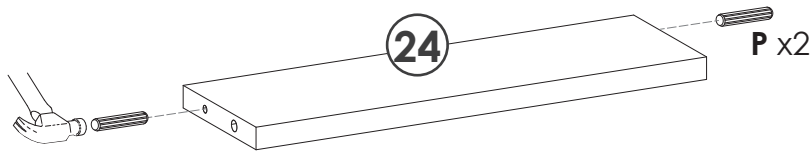
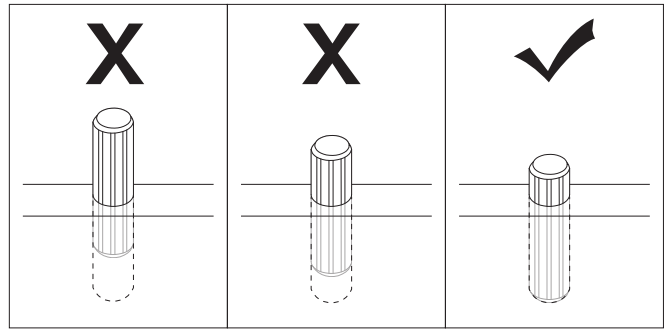
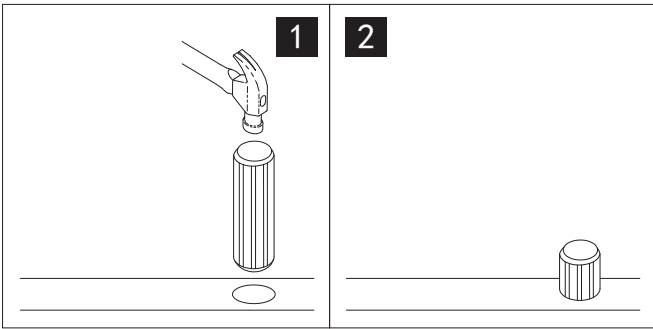
CR



4

YOU WILL NEED

P x12



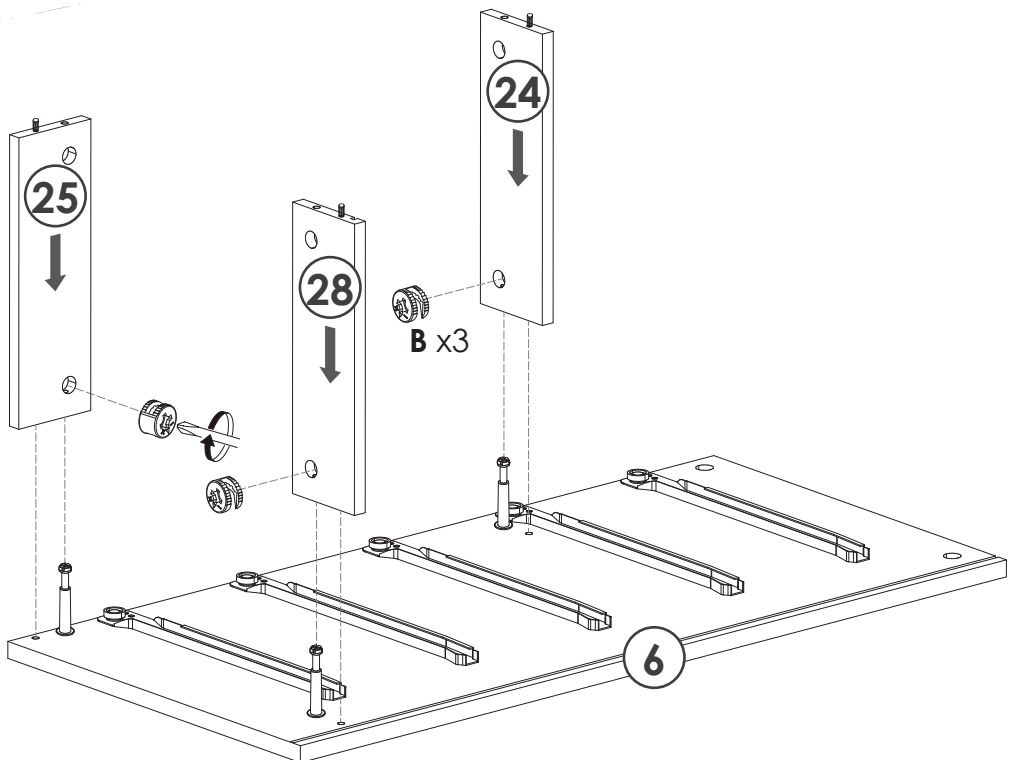
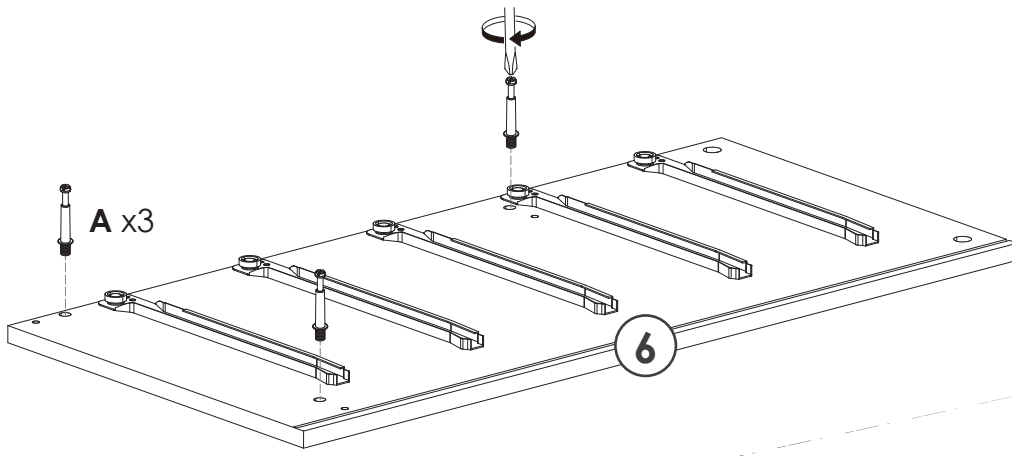
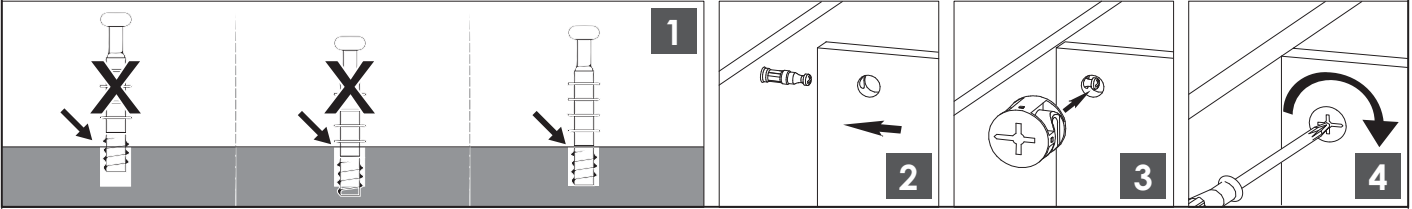
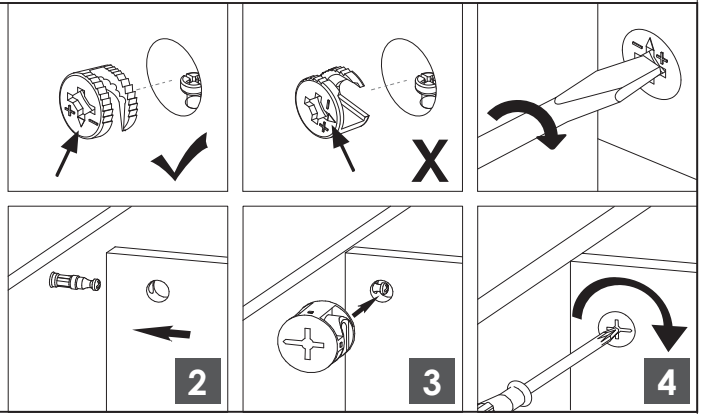
5

YOU WILL NEED

A x3

B x3

Installation method of three
in one rod and buckle



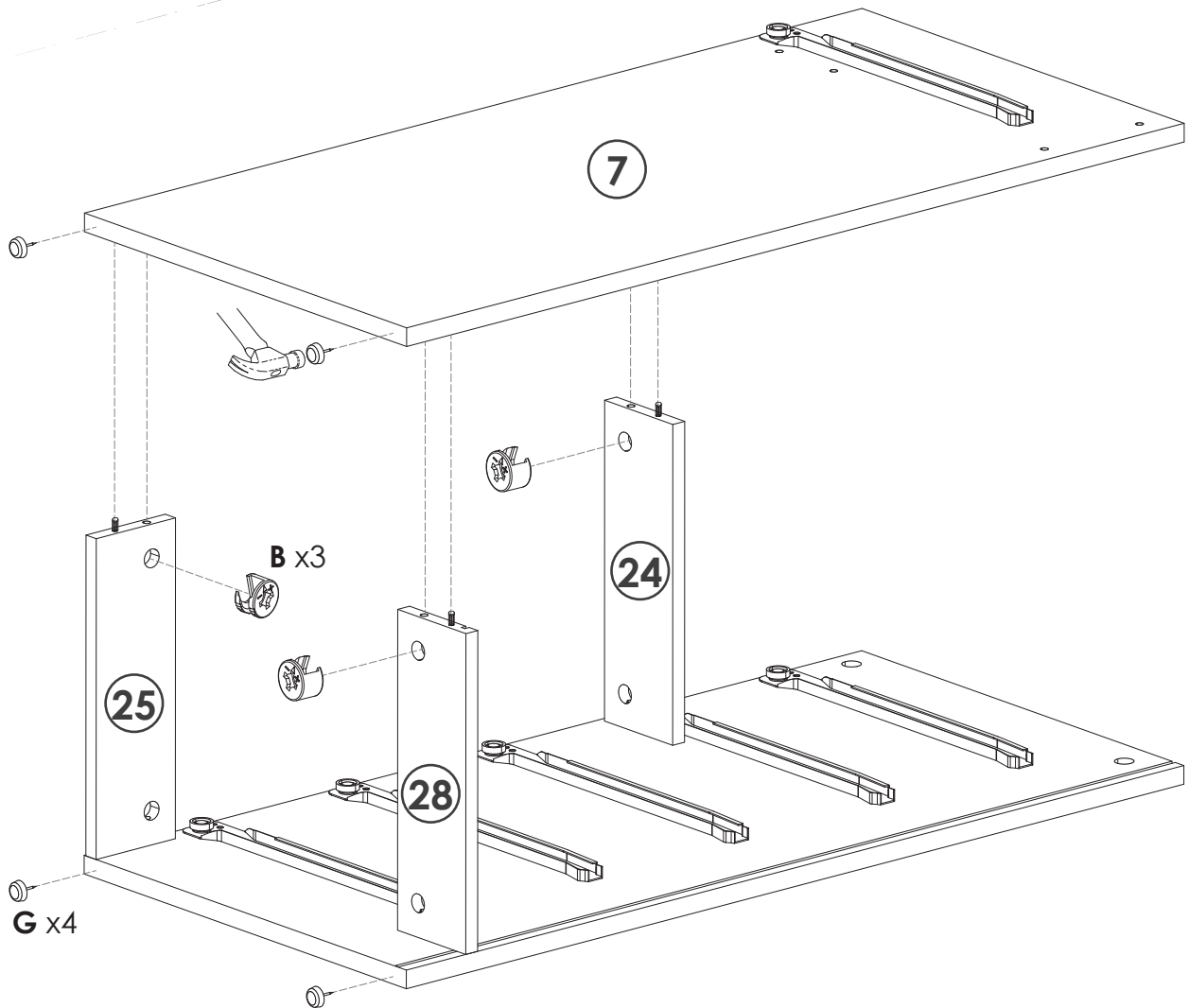
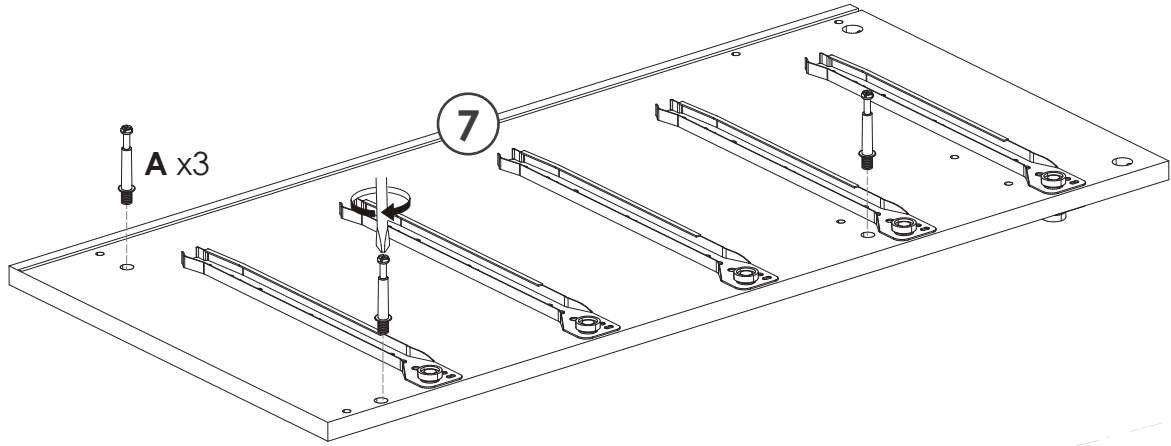
6

YOU WILL NEED

A x3

B x3

G x4

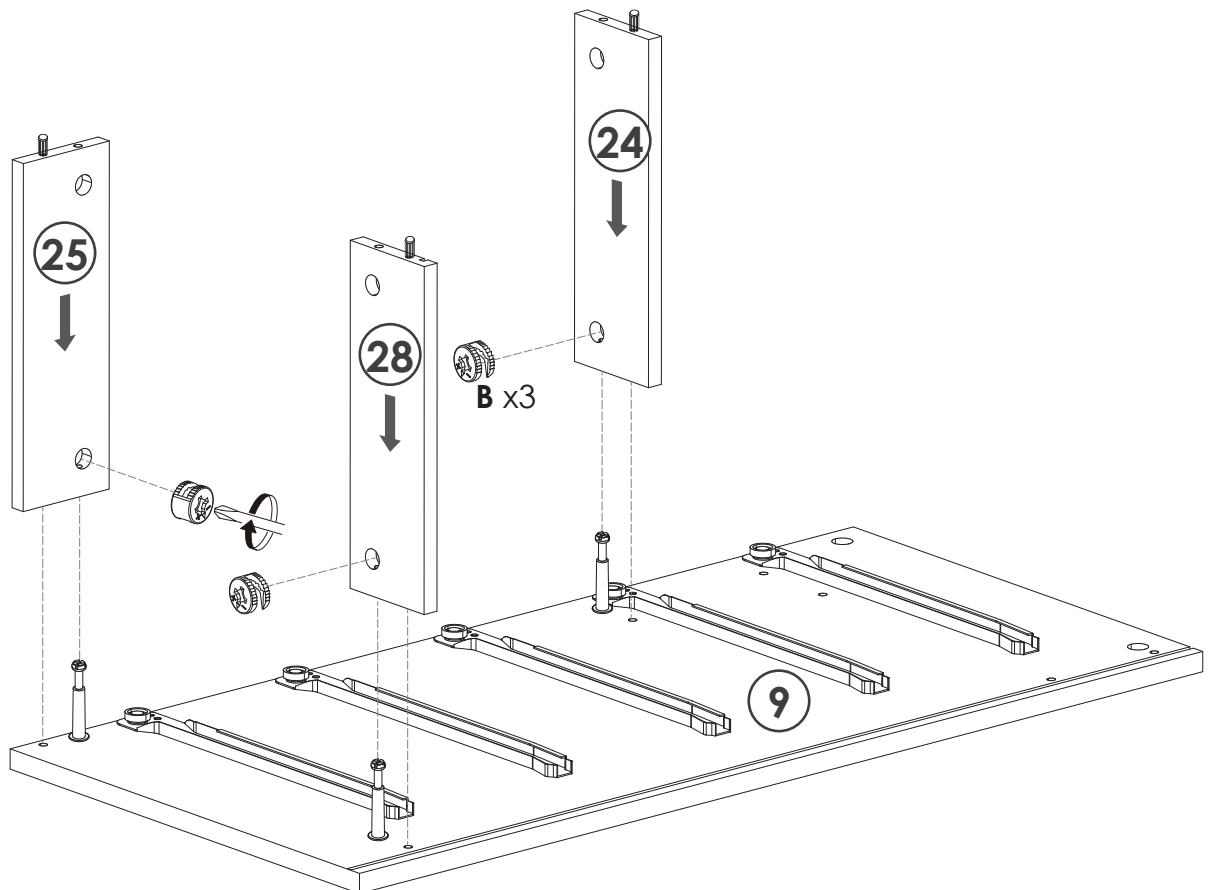
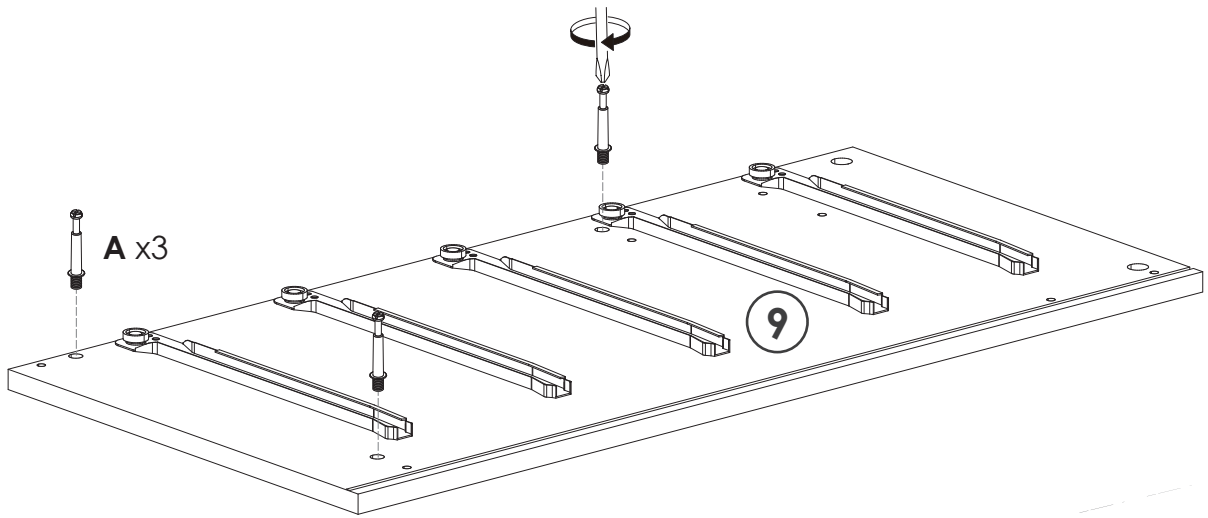


7

YOU WILL NEED

A x3

B x3



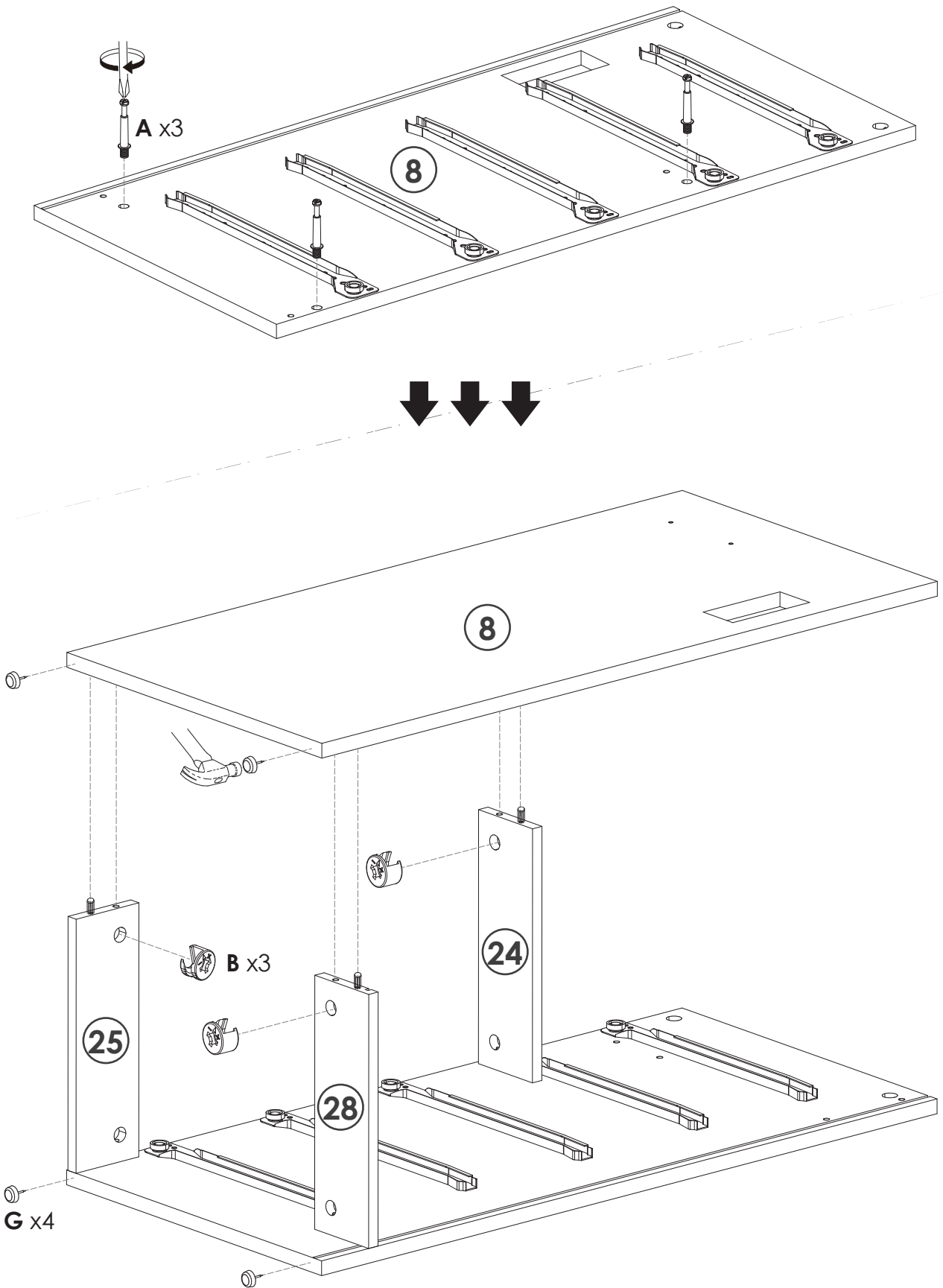
8

YOU WILL NEED

A x3

B x3

G x4

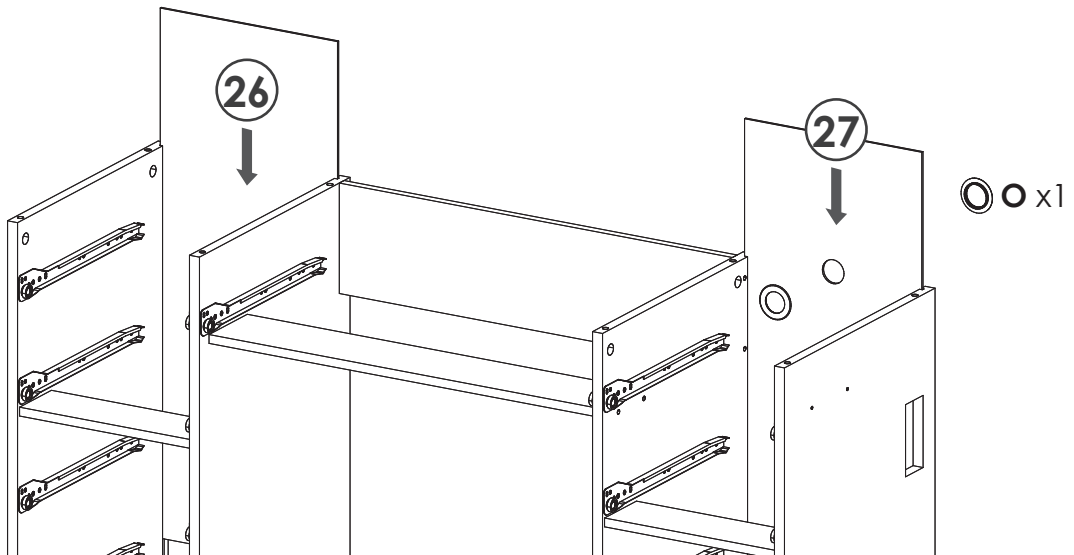
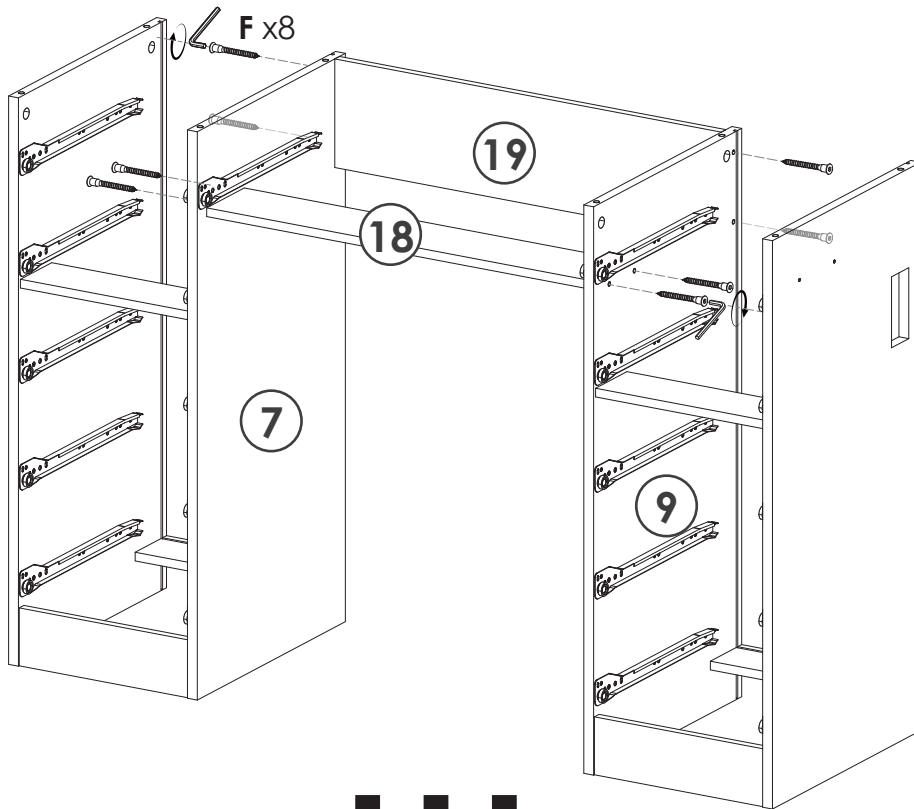
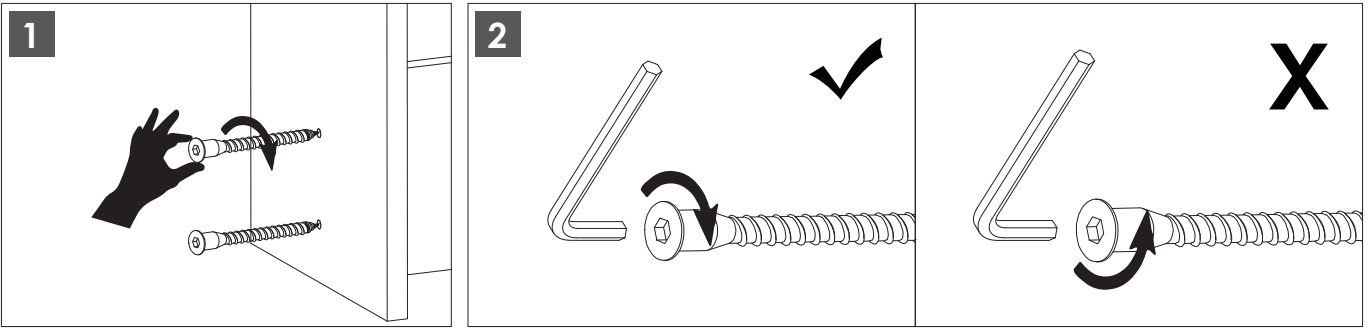


9

YOU WILL NEED

F x8

O x1

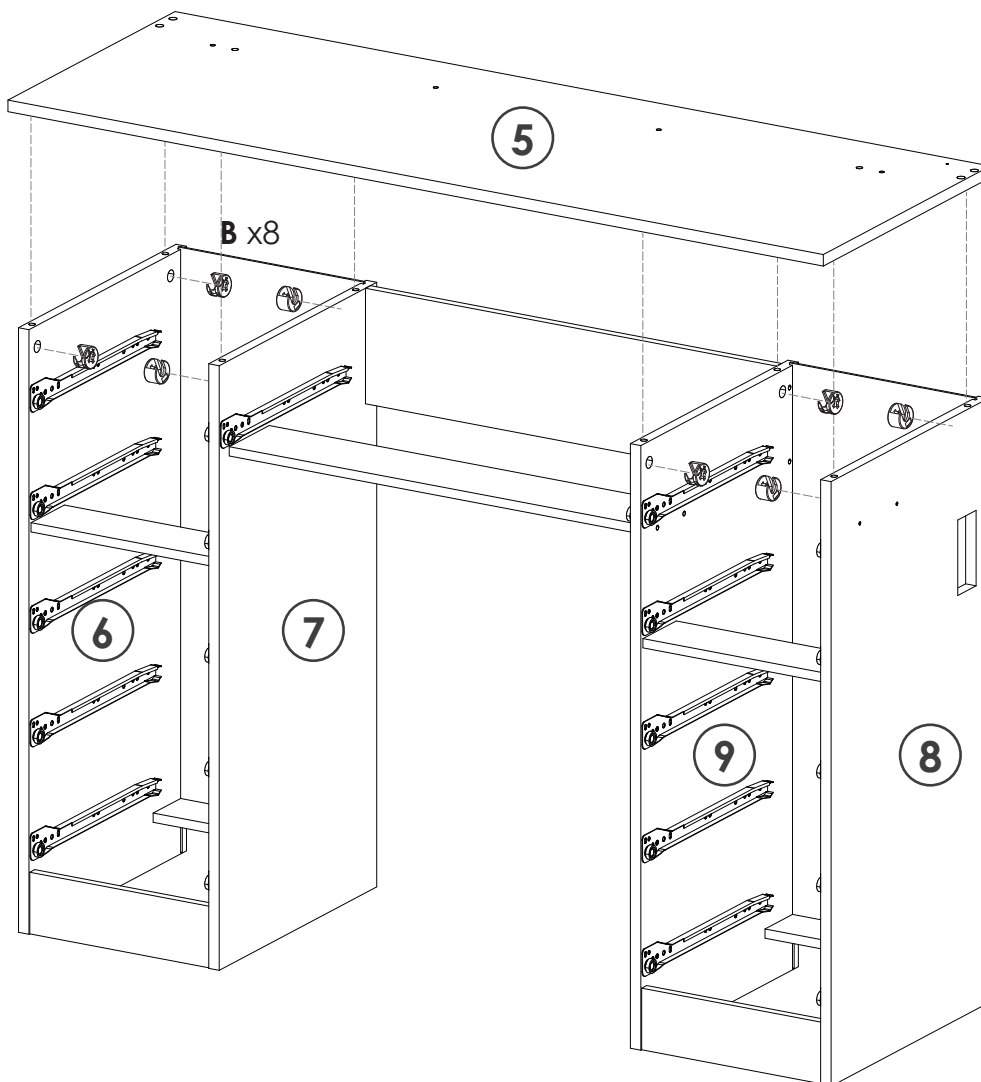
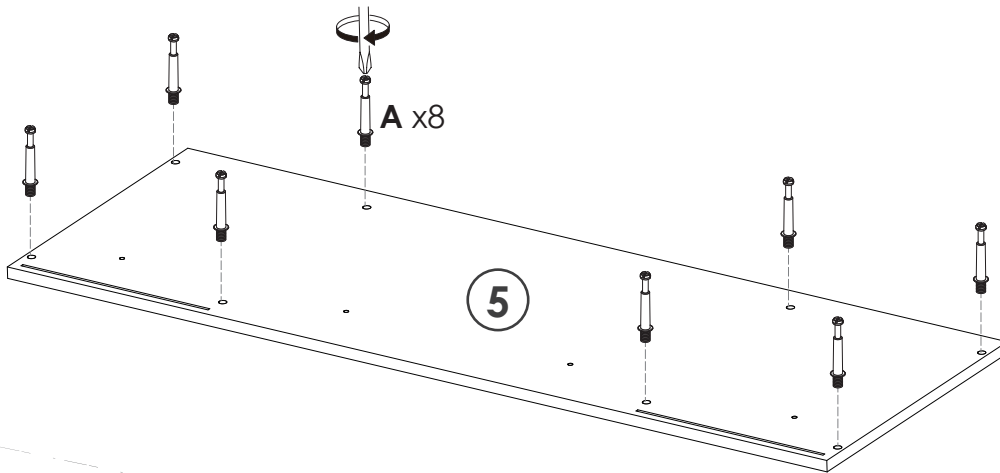


10

YOU WILL NEED

A x8

B x8

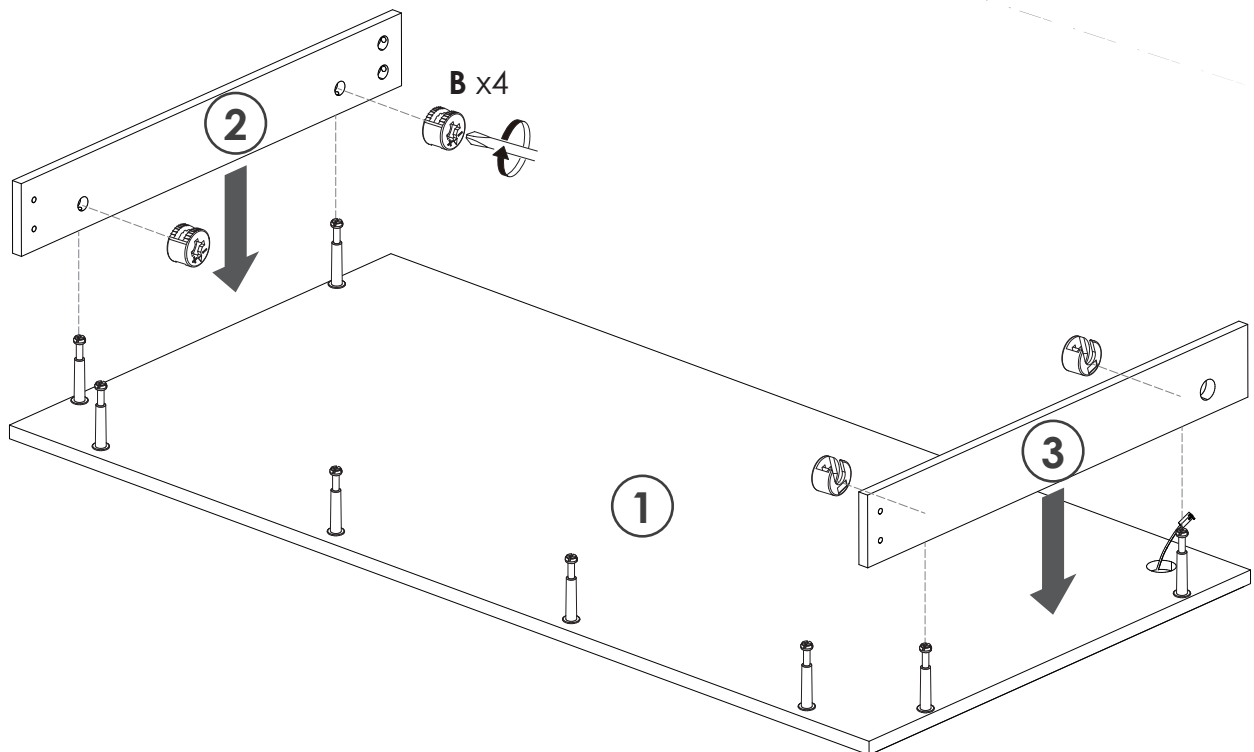
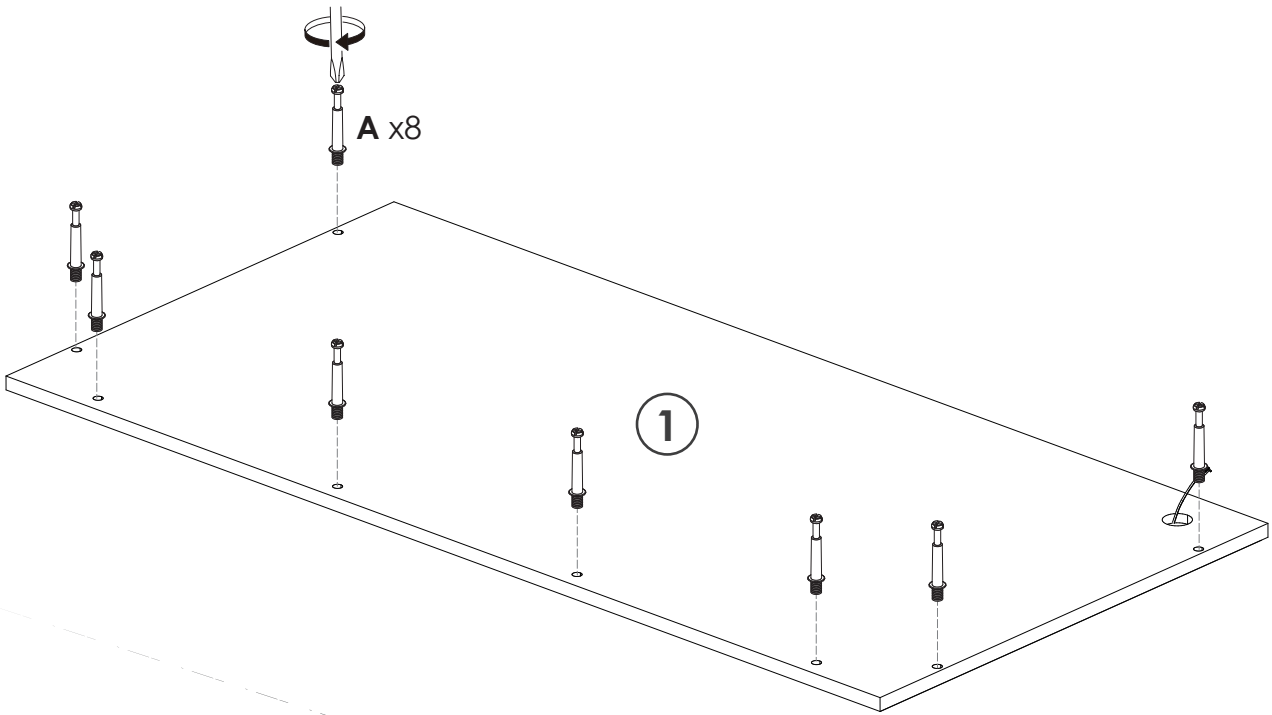


11

YOU WILL NEED

A x8

B x4



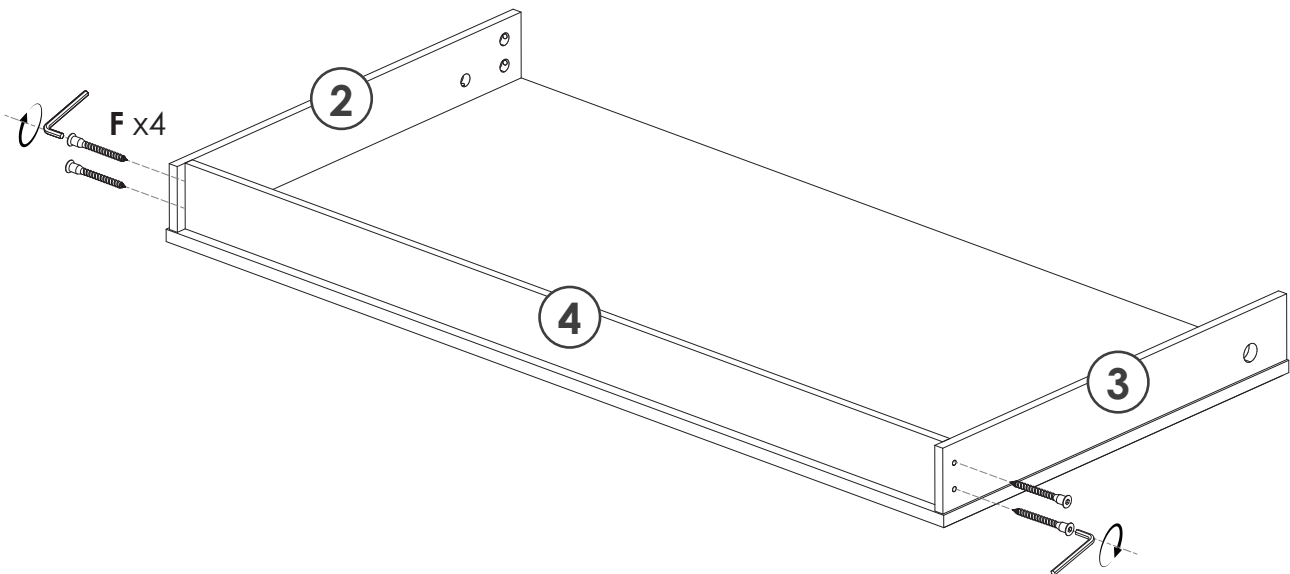
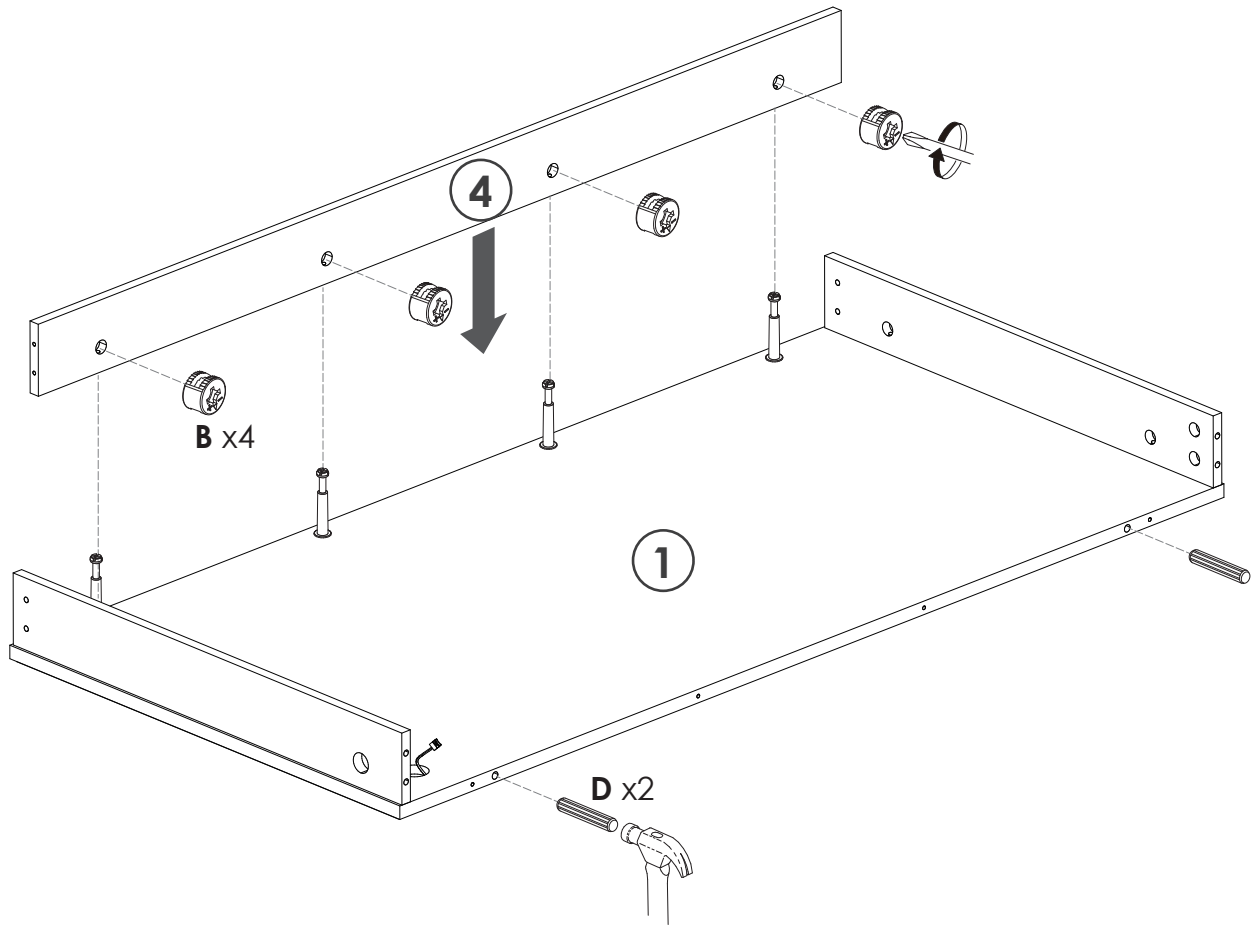
12

YOU WILL NEED

B x4

D x2

F x4



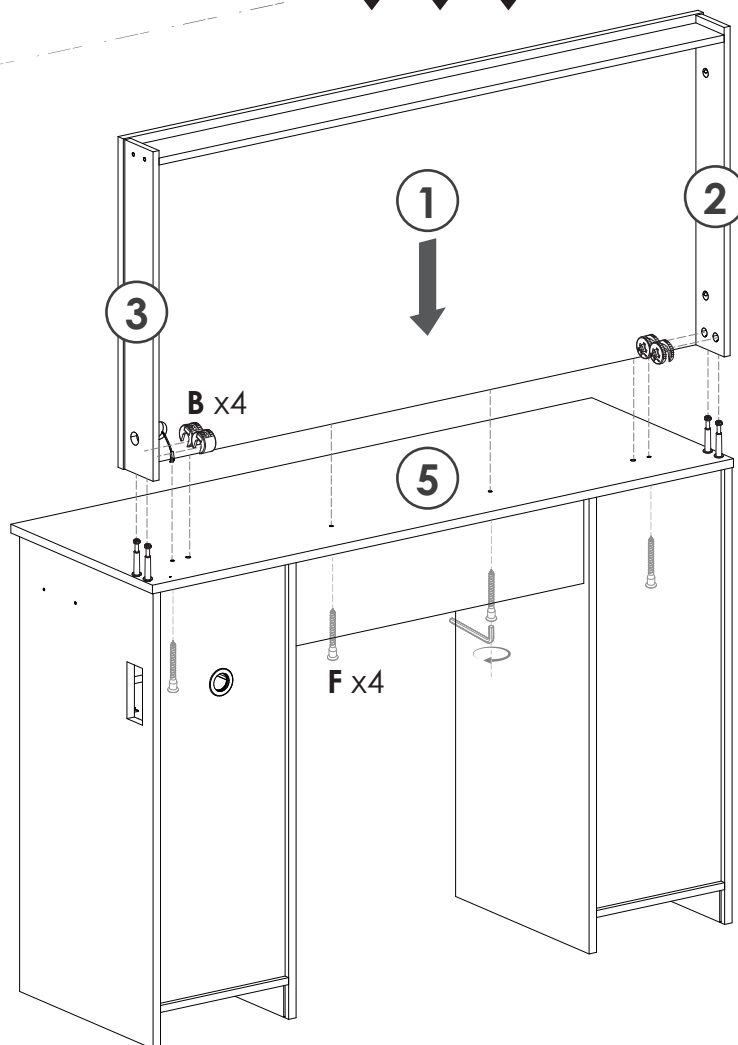
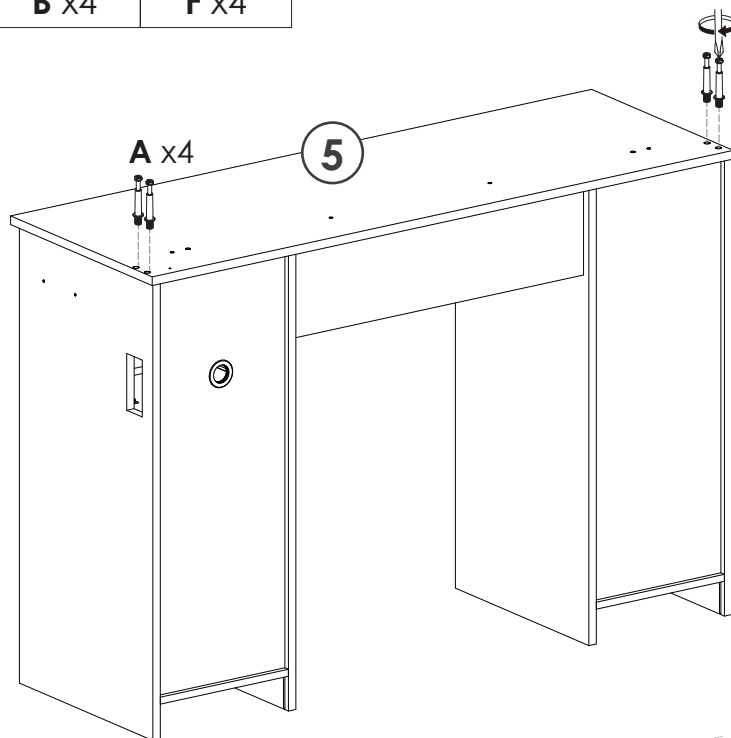
13

YOU WILL NEED

A x4

B x4

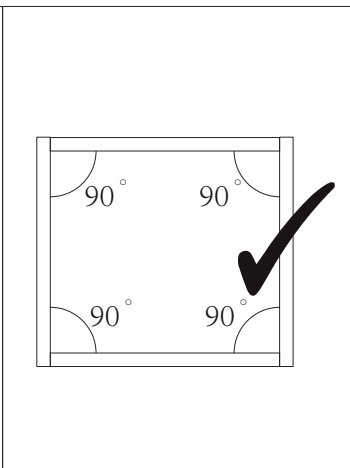
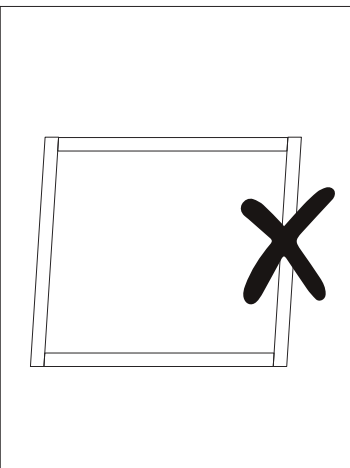
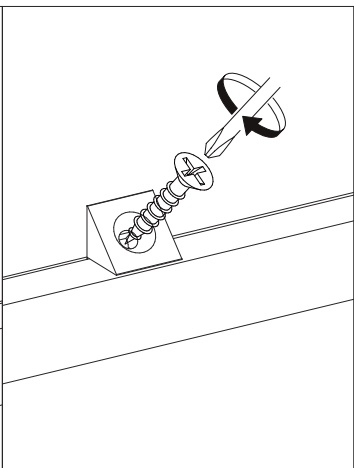
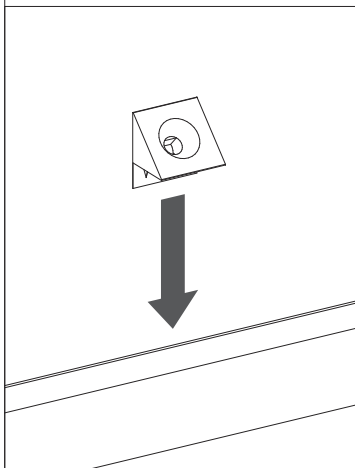
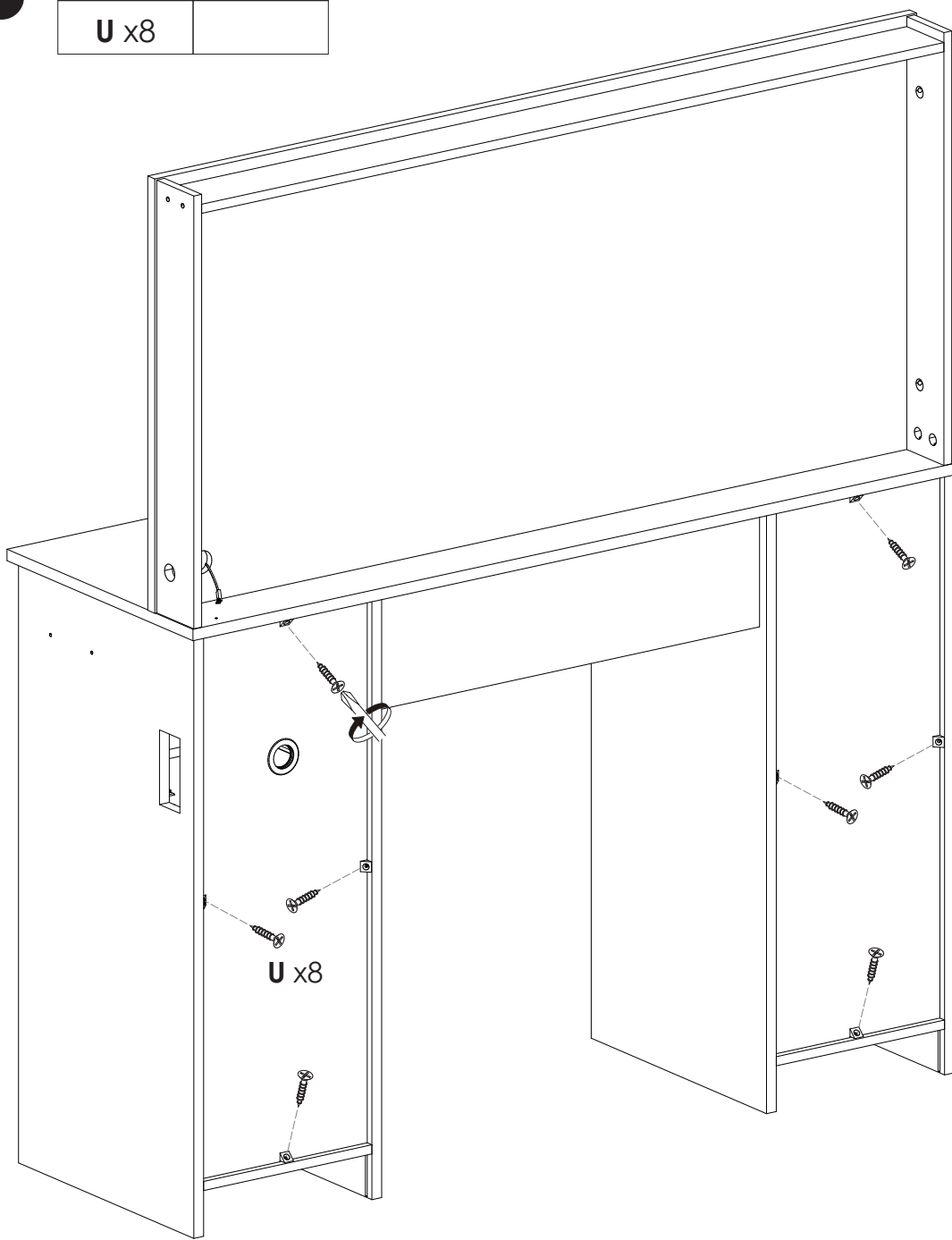
F x4



14

YOU WILL NEED

U x8

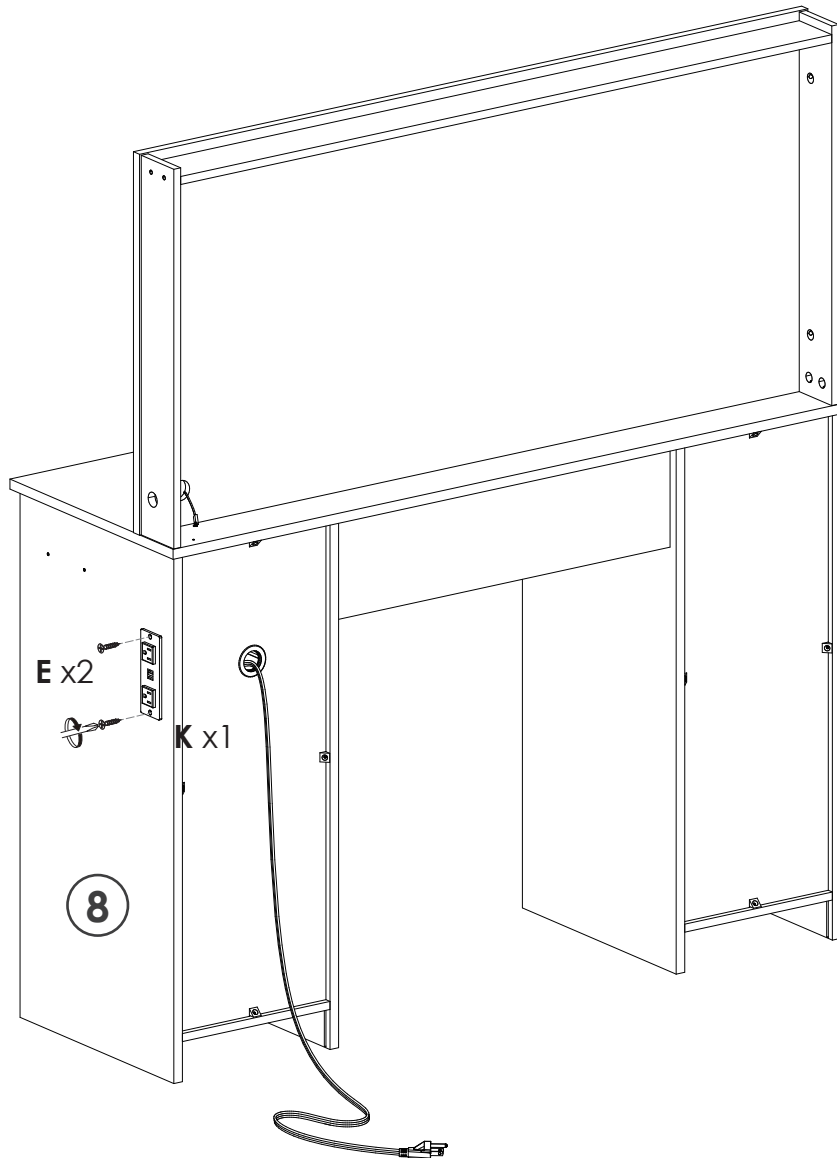
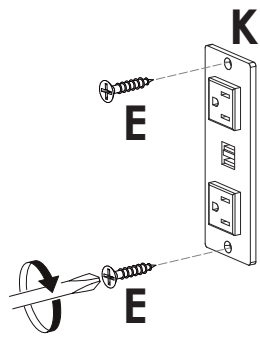


15

YOU WILL NEED

E x2

K x1



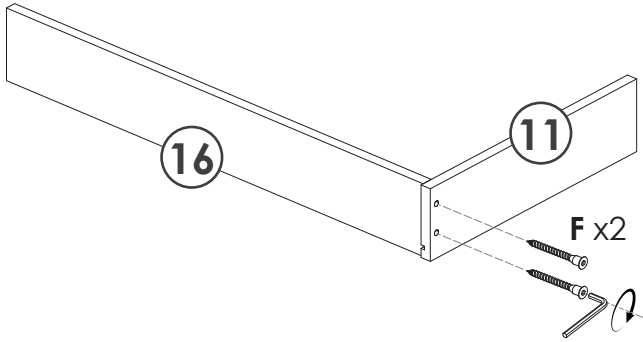
16

YOU WILL NEED

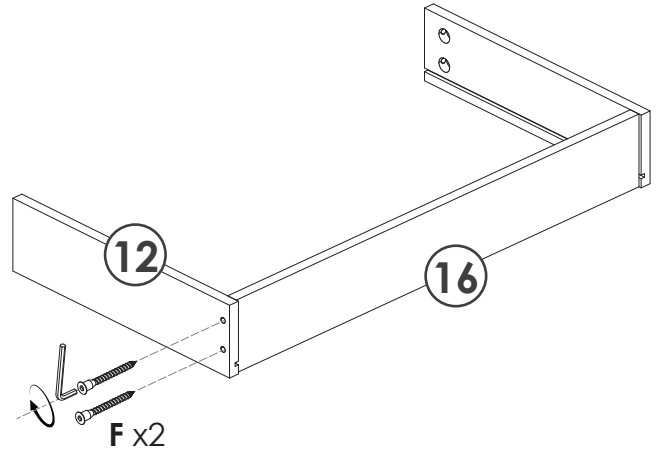
A x4

F x4

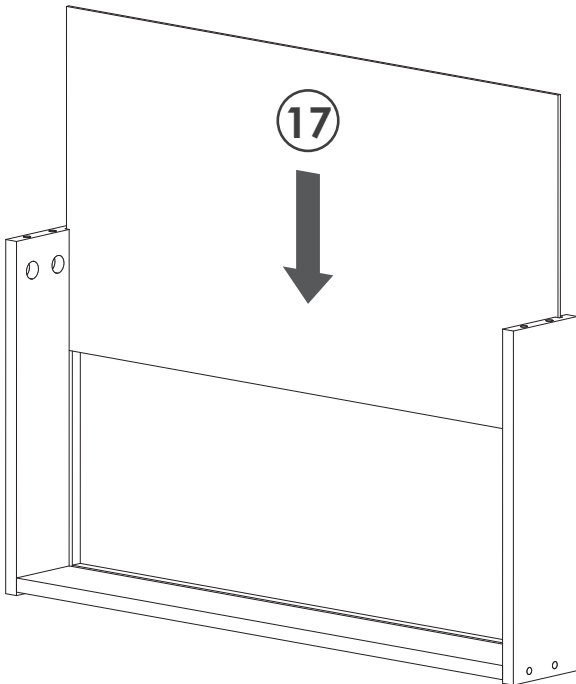
1



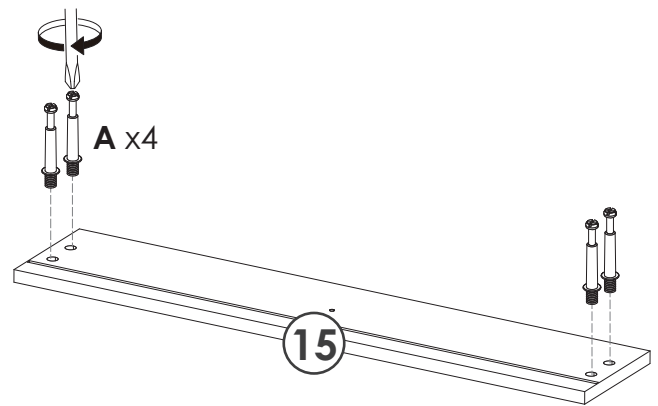
2



3



4

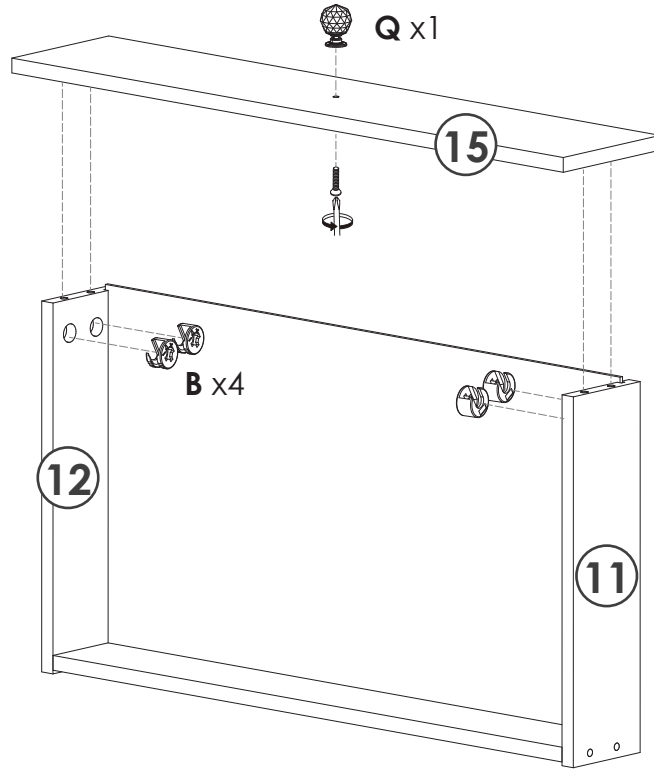


17

YOU WILL NEED

B x4

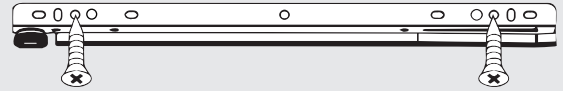
Q x1



DL



DR

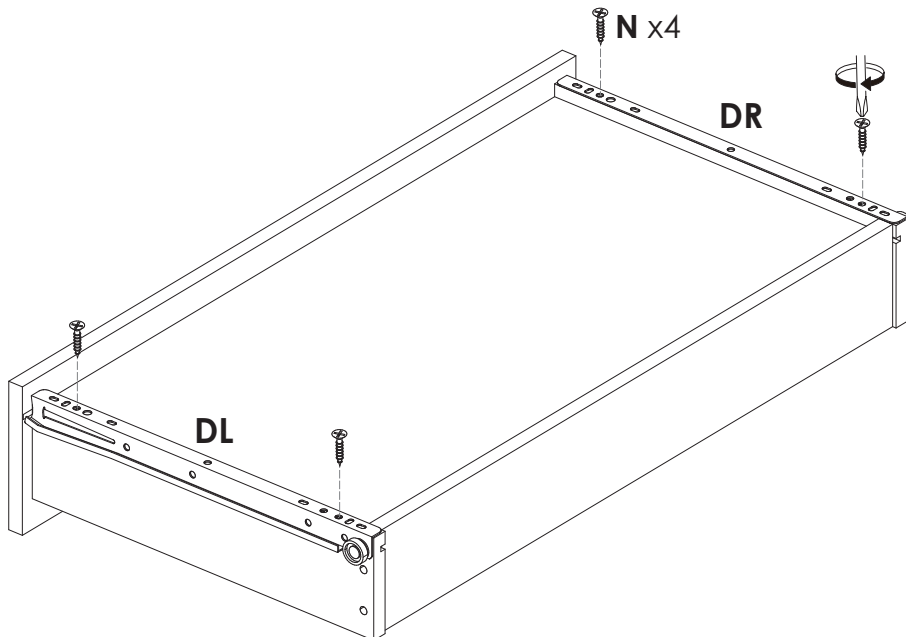


YOU WILL NEED

DL x1

DR x1

N x4



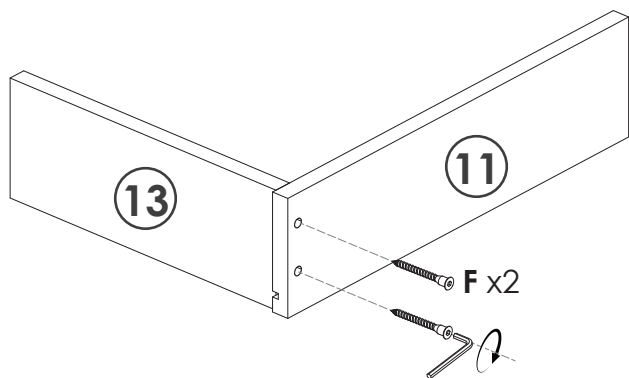
18

YOU WILL NEED

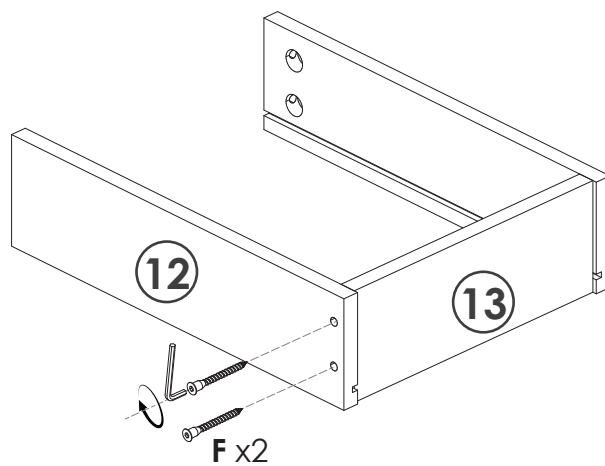
A x8

F x8

1

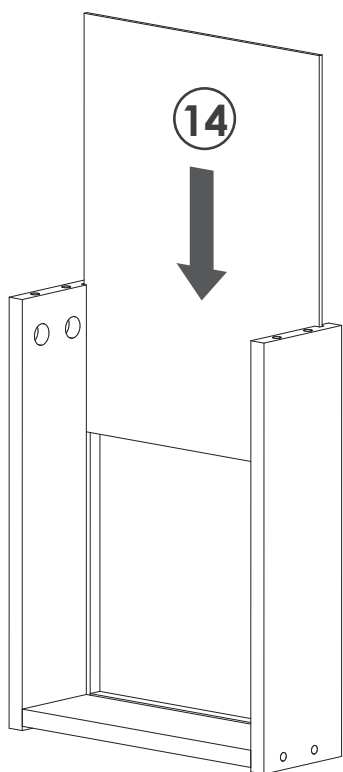


2

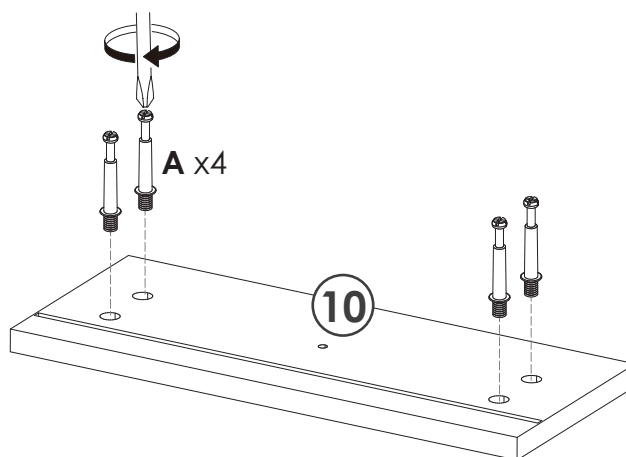


x2

3



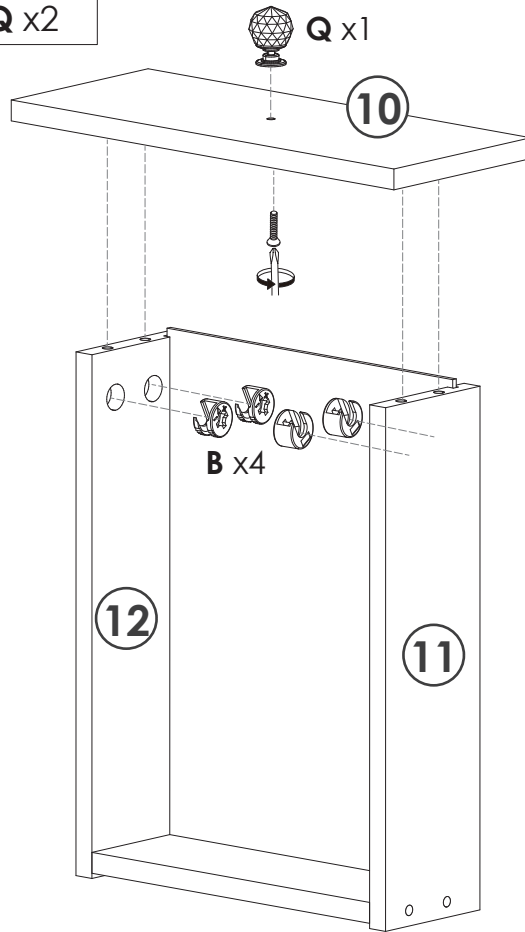
4



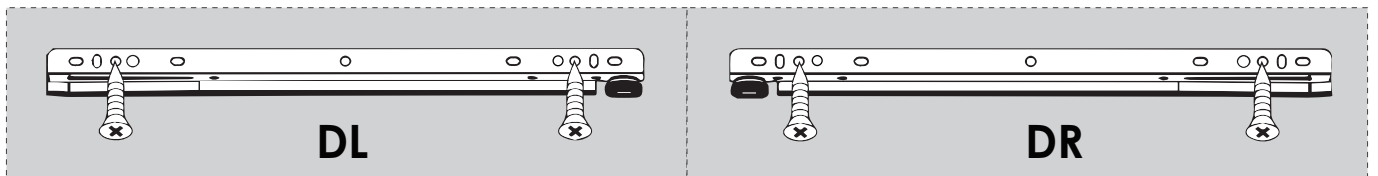
YOU WILL NEED

B x8

Q x2



x2



DL

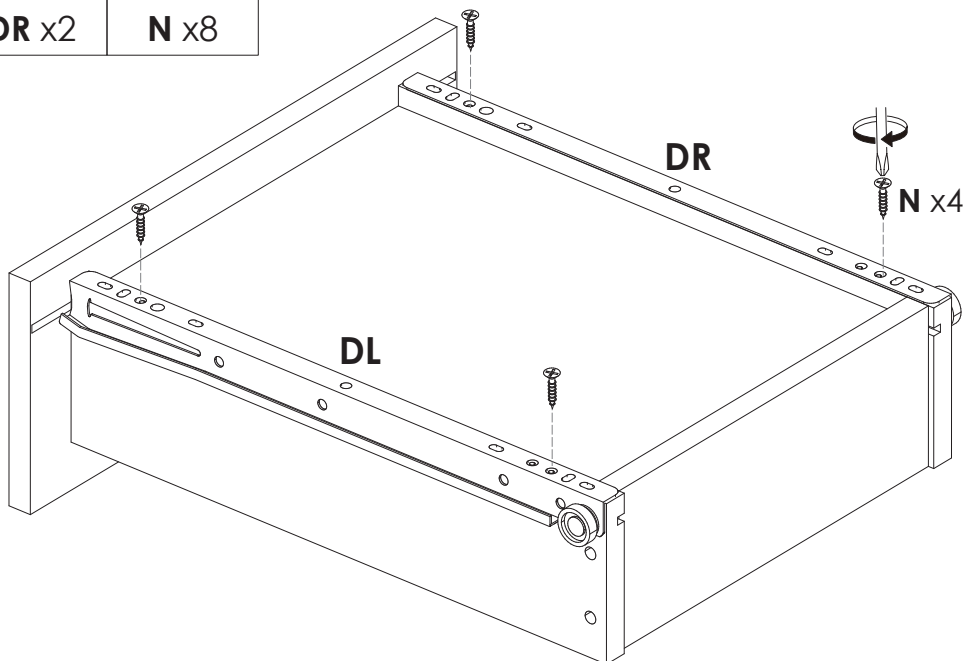
DR

YOU WILL NEED

DL x2

DR x2

N x8



x2

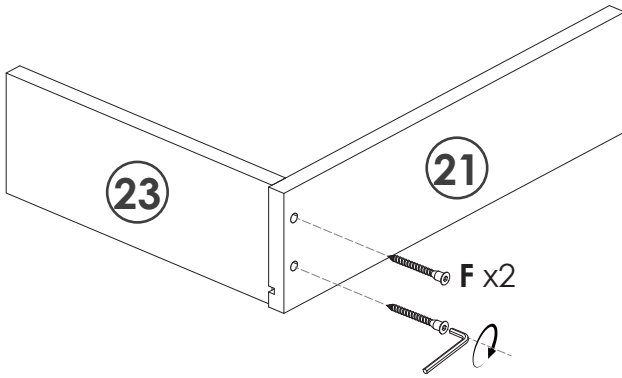
20

YOU WILL NEED

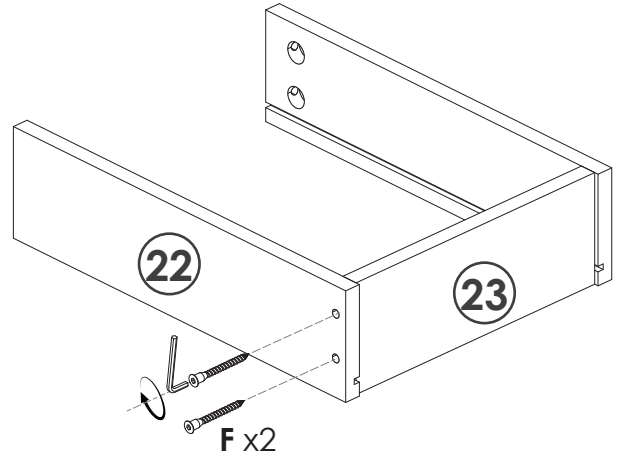
A x32

F x32

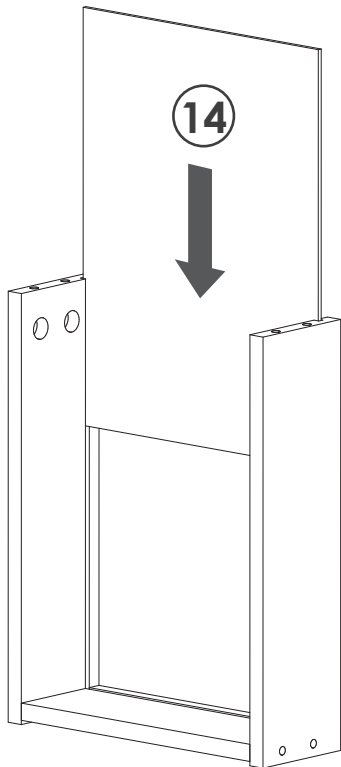
1



2

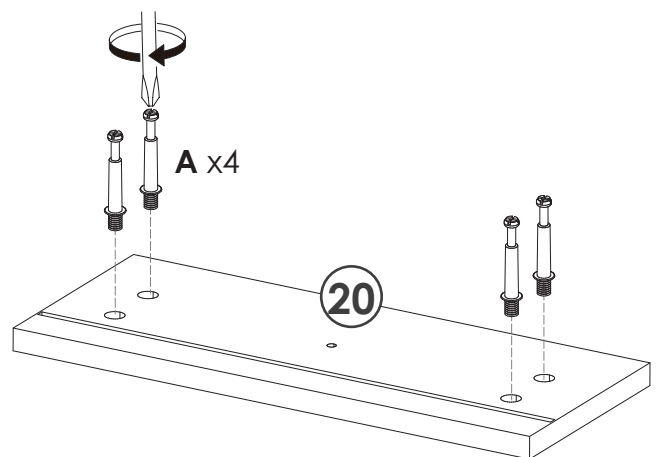


3



x8

4

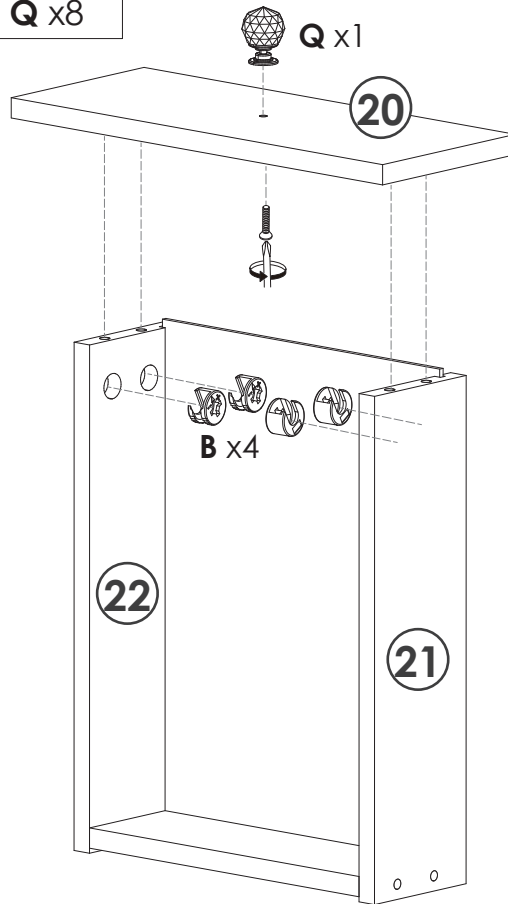


21

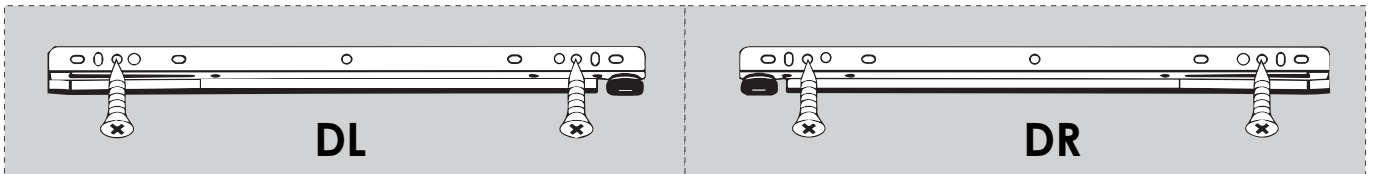
YOU WILL NEED

B x32

Q x8



x8

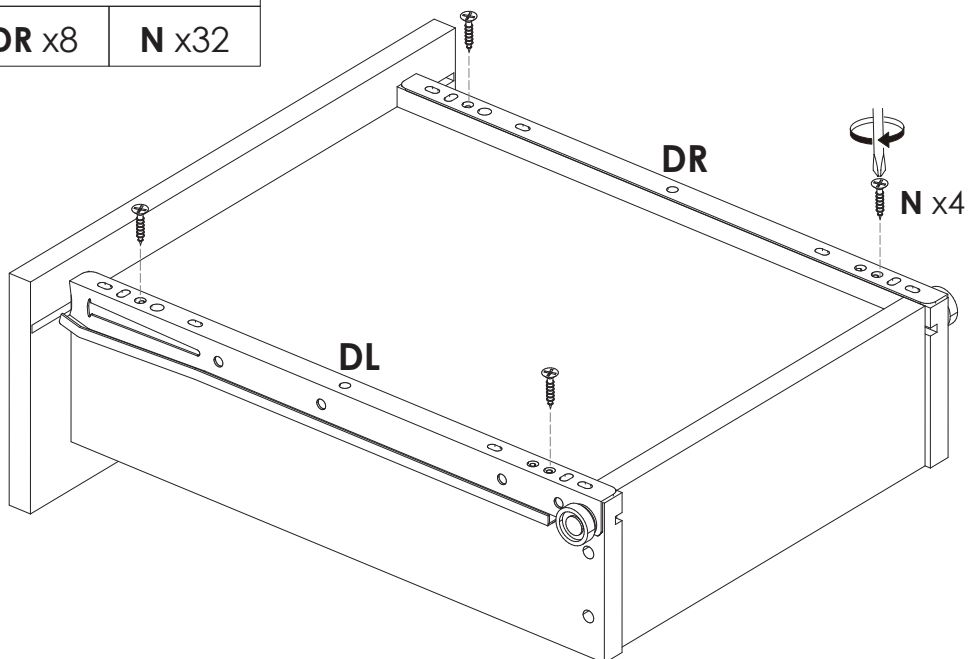


YOU WILL NEED

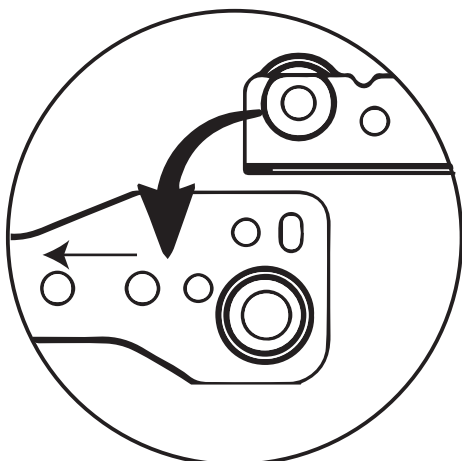
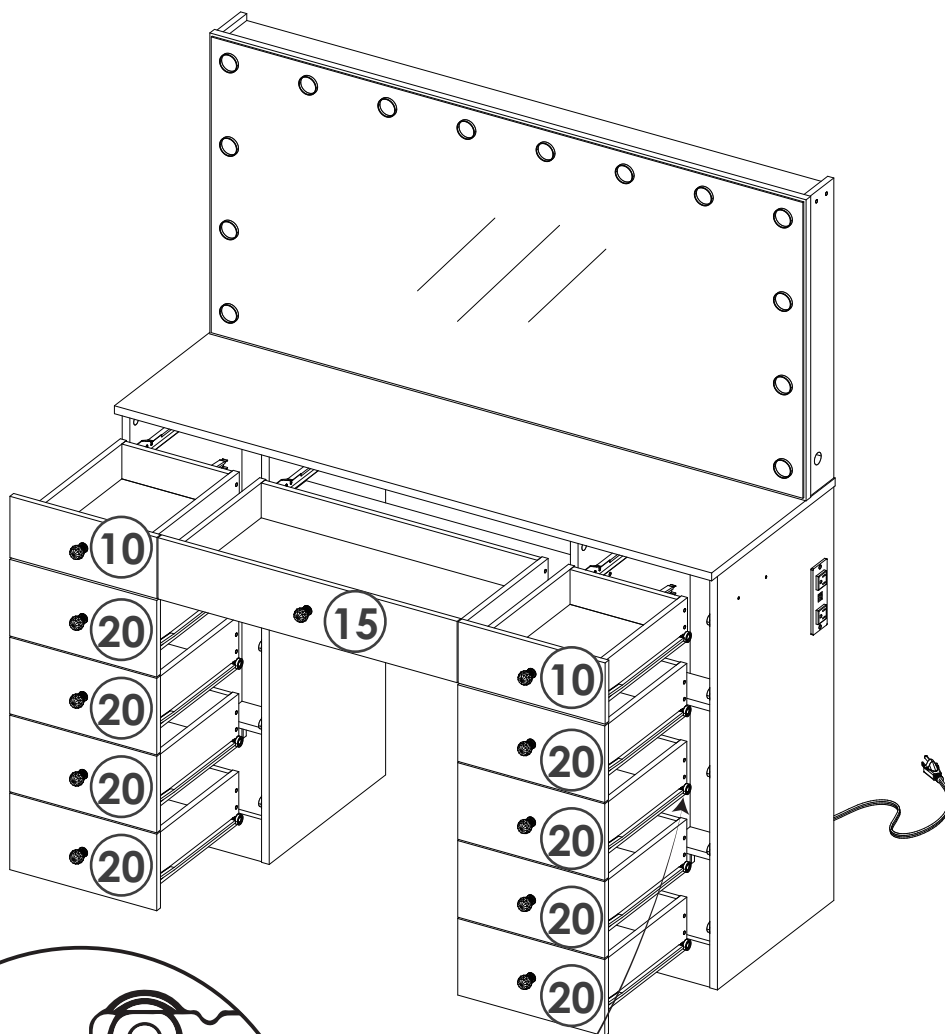
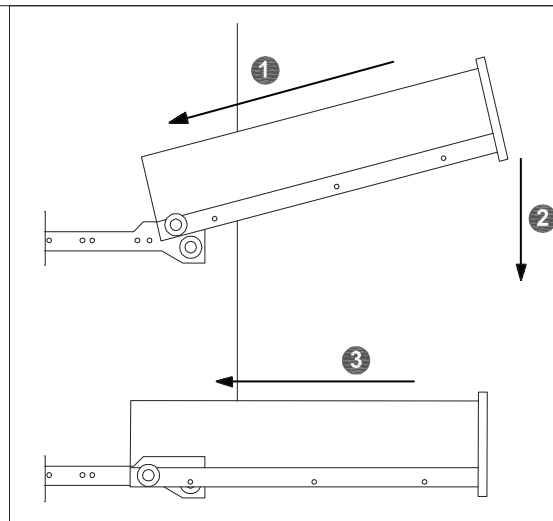
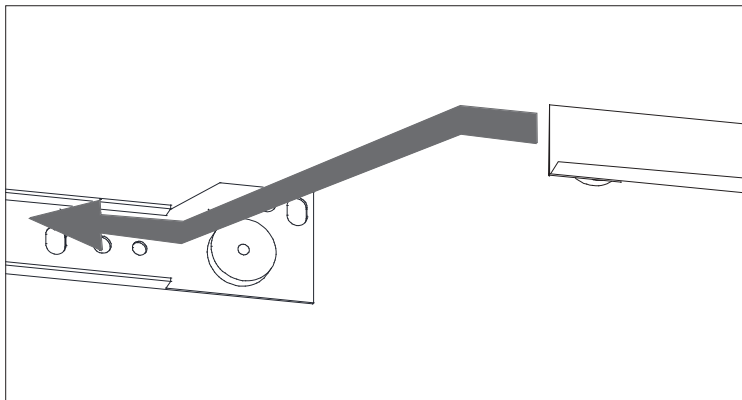
DL x8

DR x8

N x32



x8



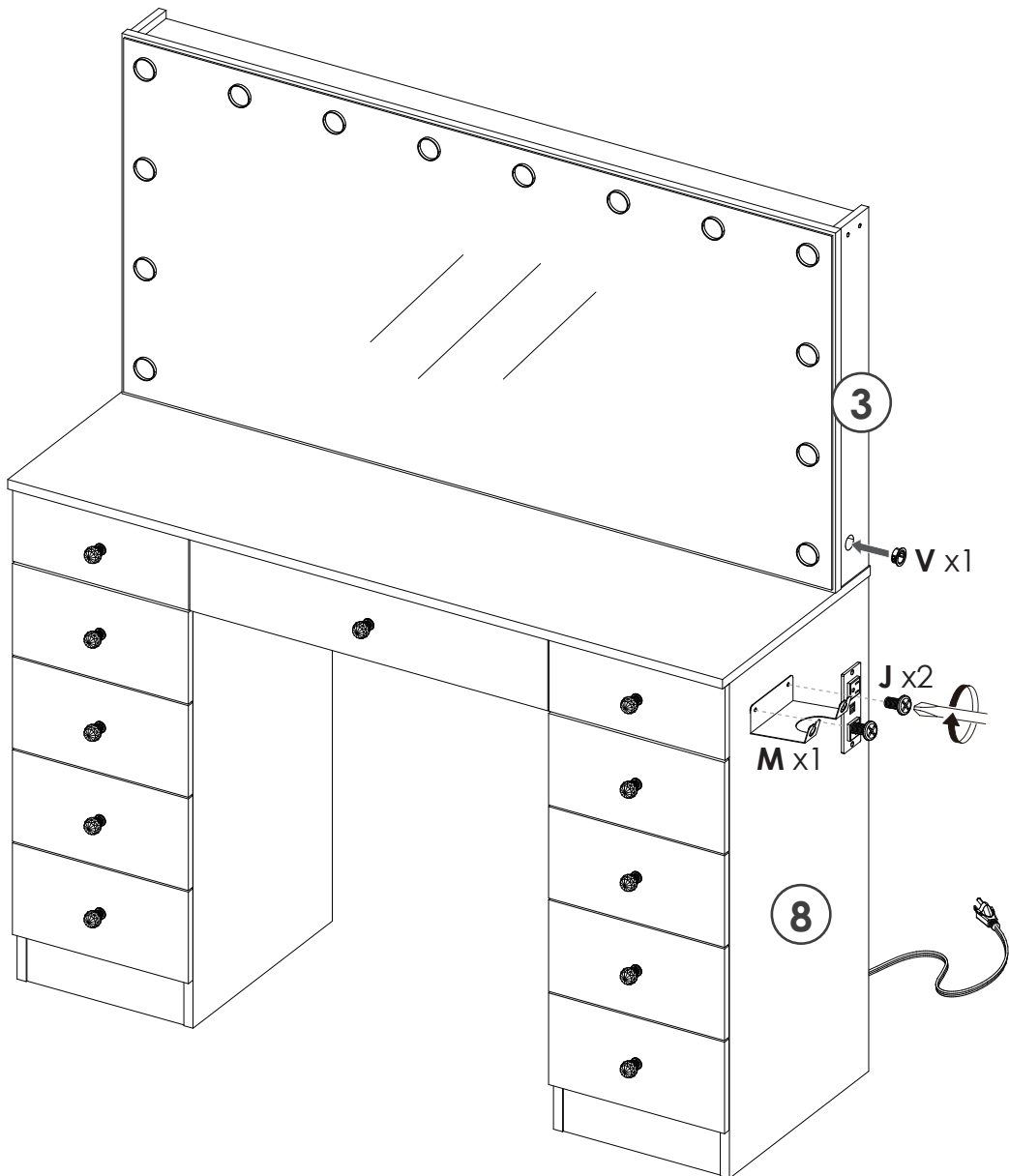
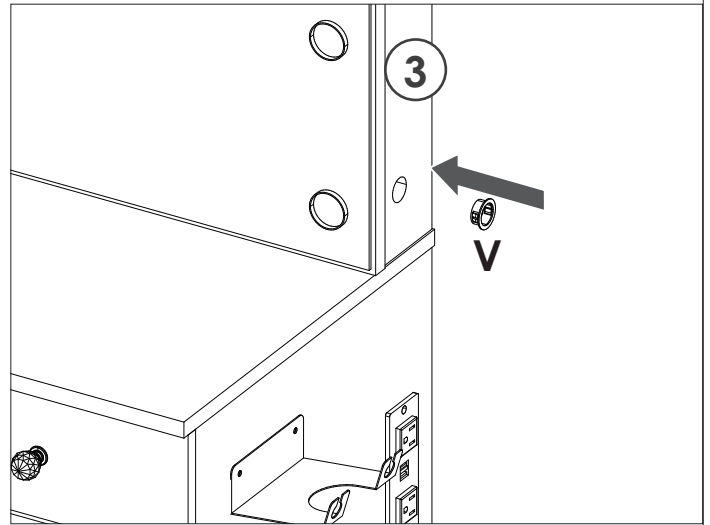
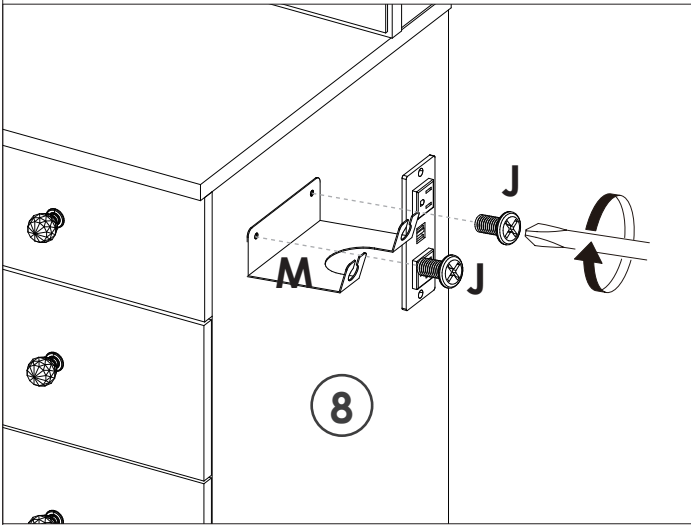
23

YOU WILL NEED

J x2

M x1

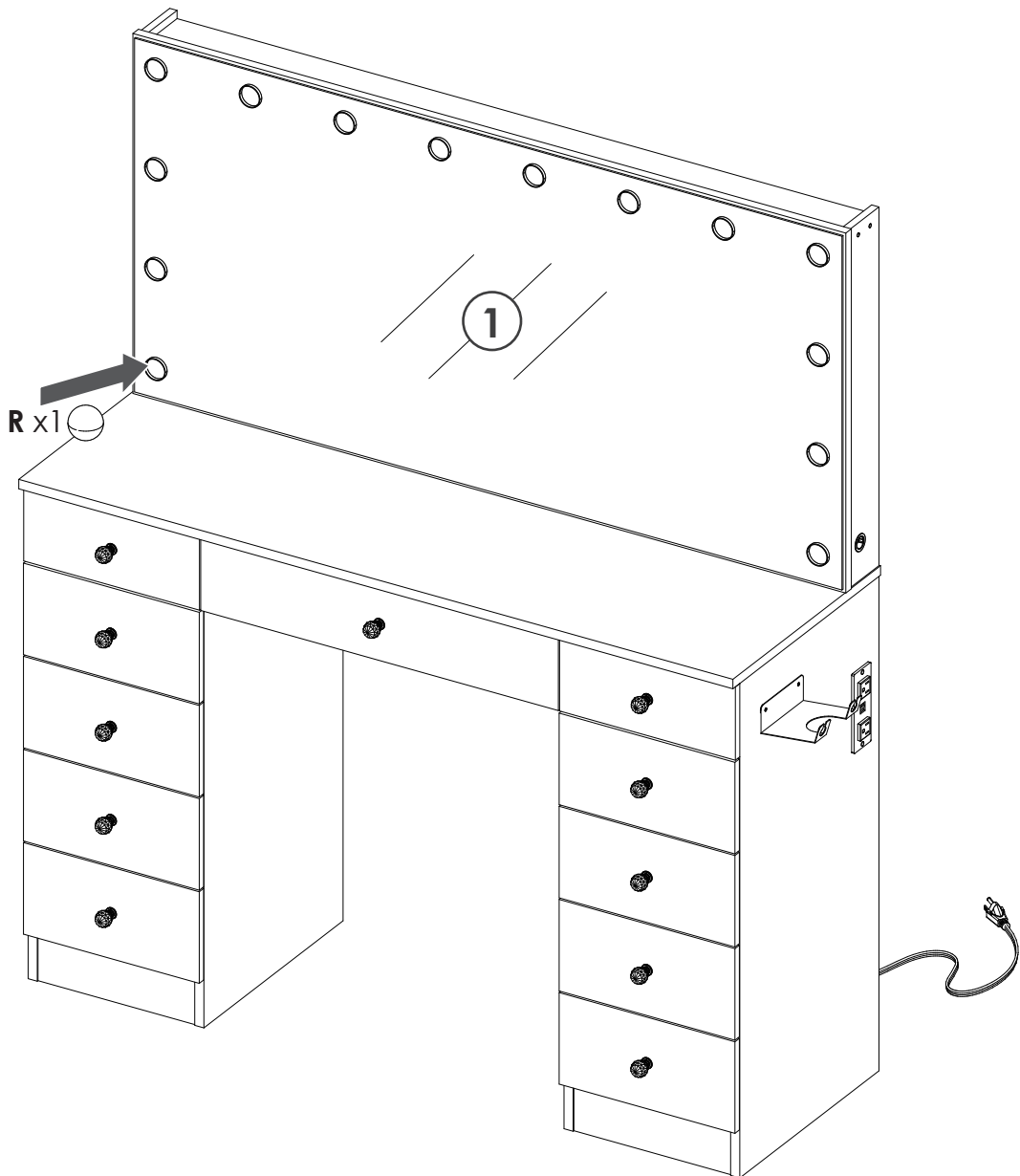
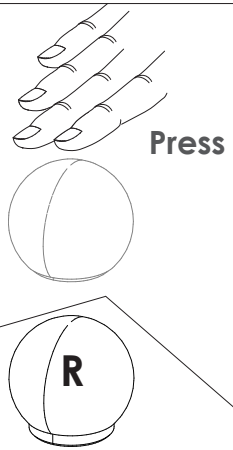
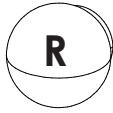
V x1



YOU WILL NEED

R x14

x14 PC



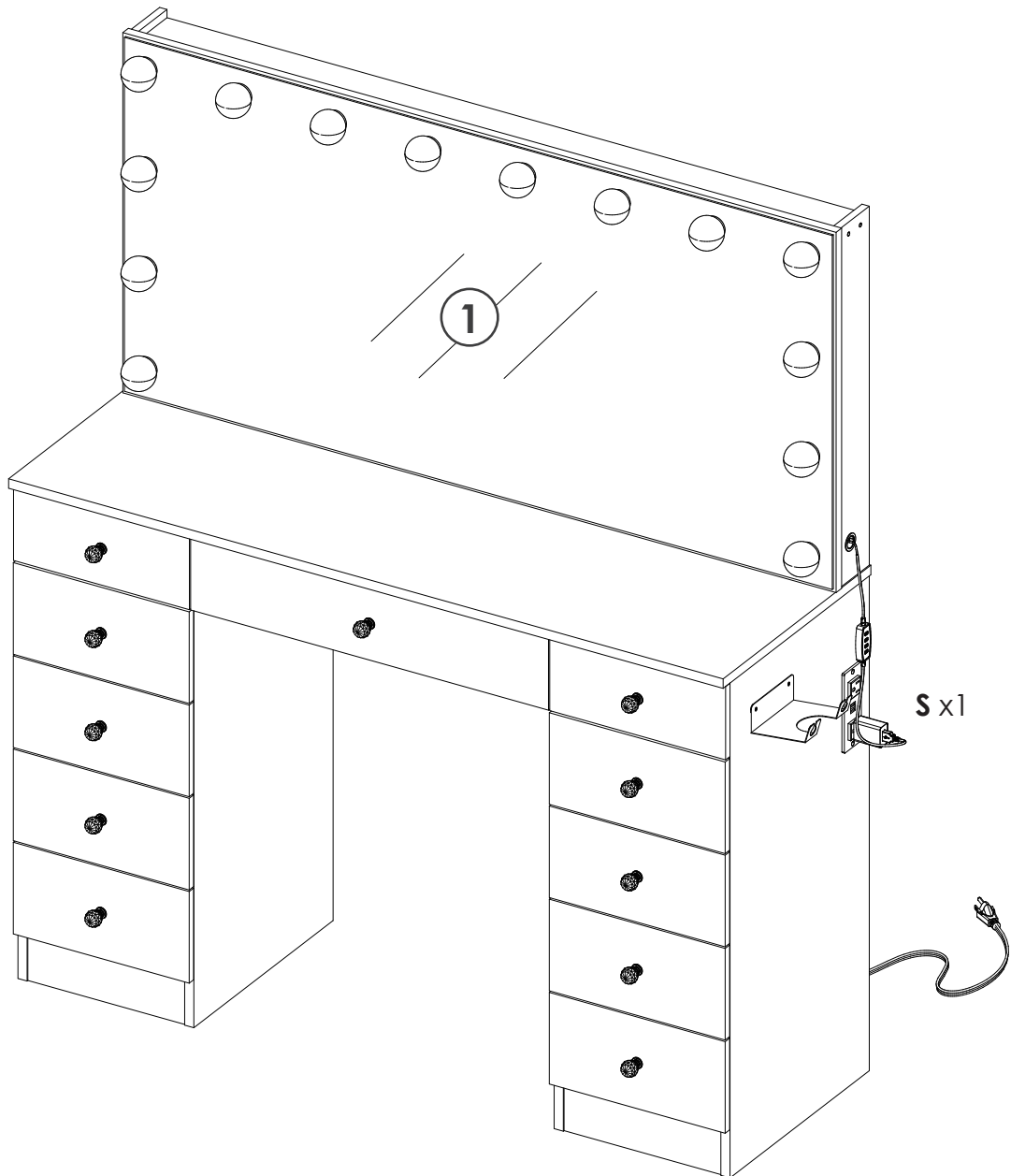
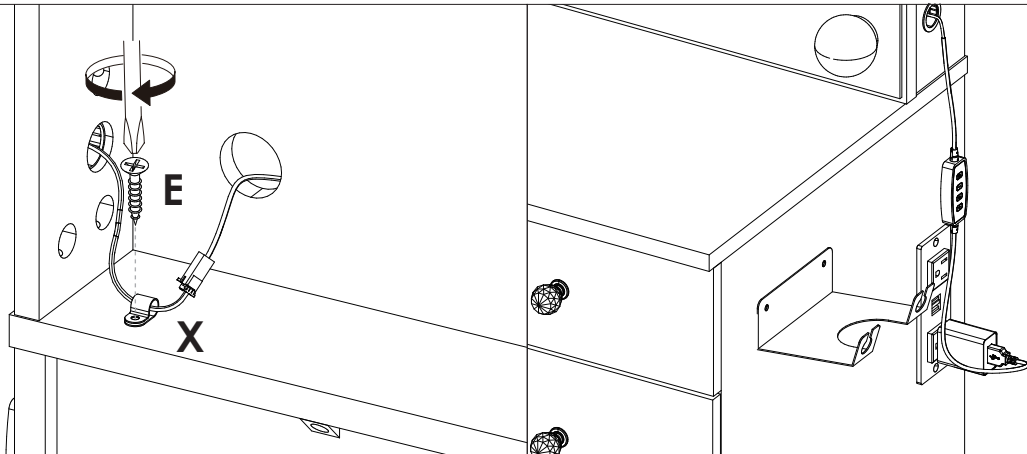
25

YOU WILL NEED

S x1

X x1

E x1



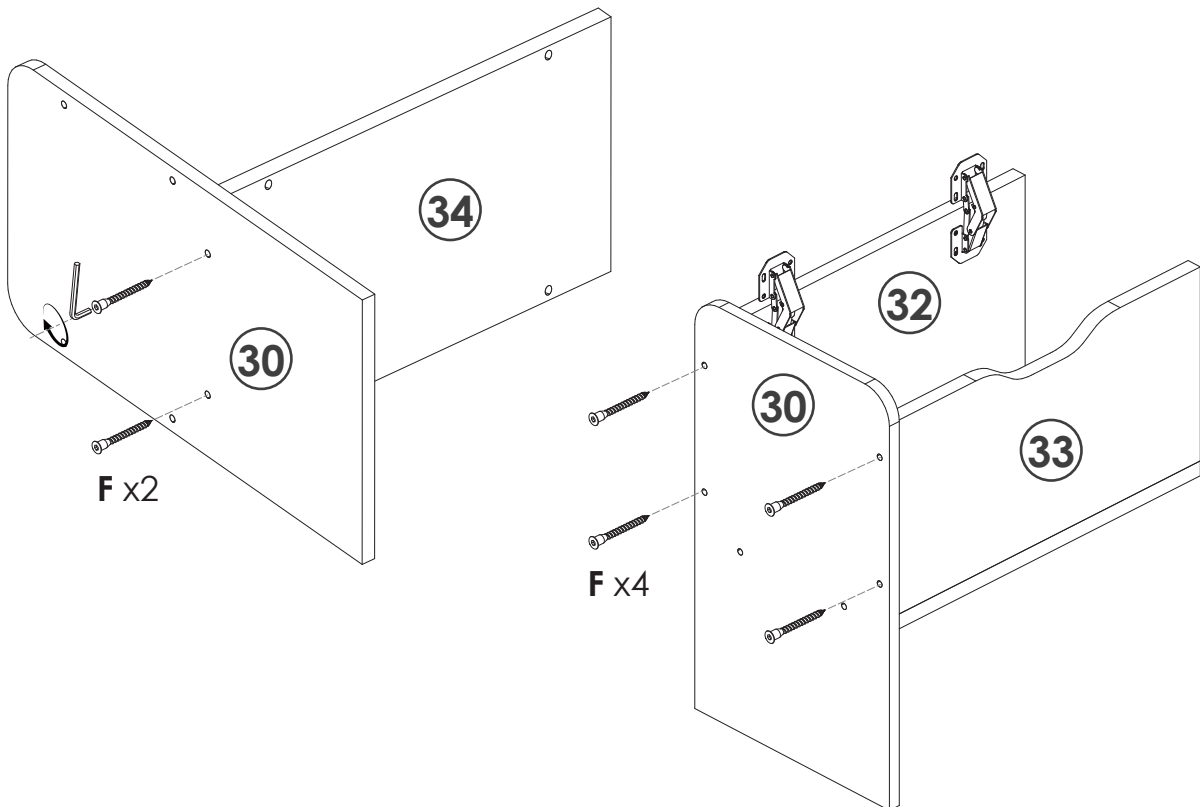
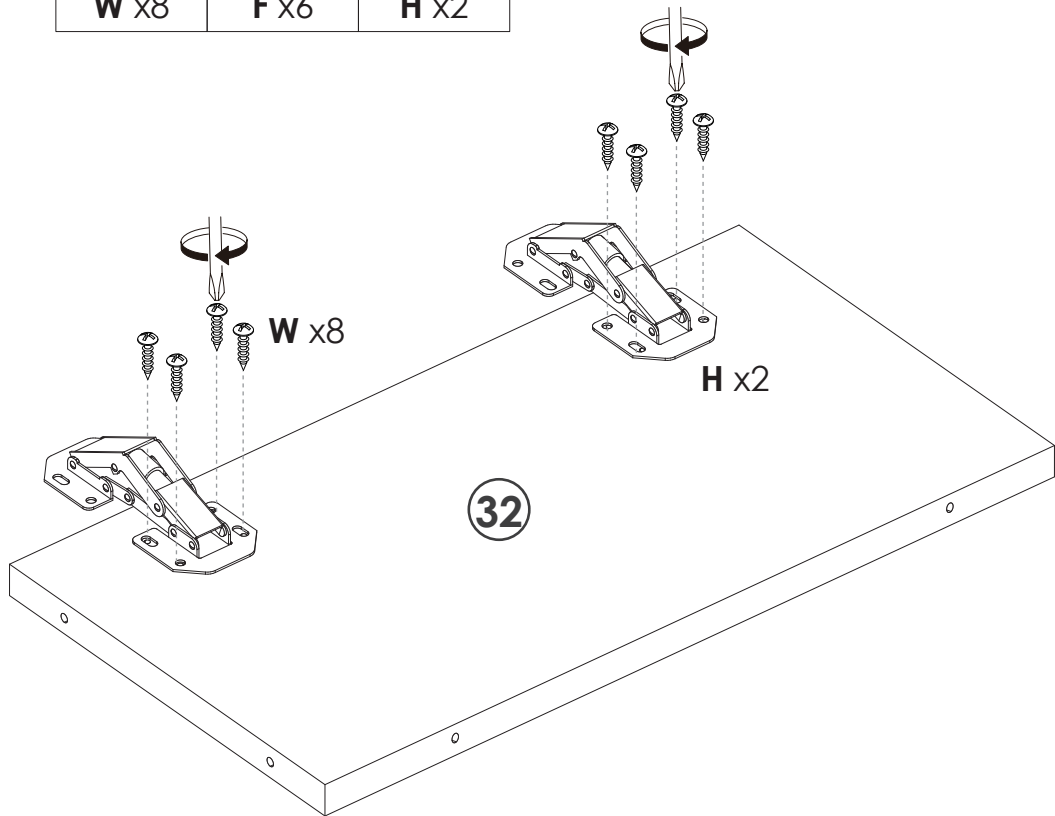
26

YOU WILL NEED

W x8

F x6

H x2



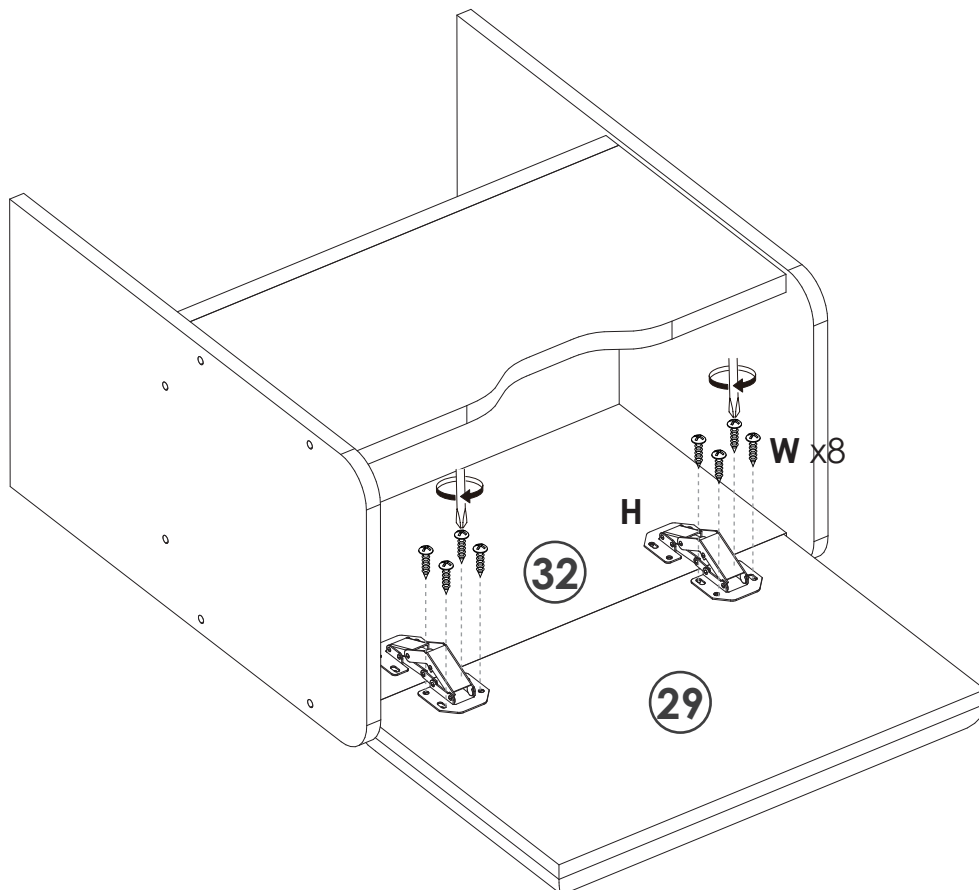
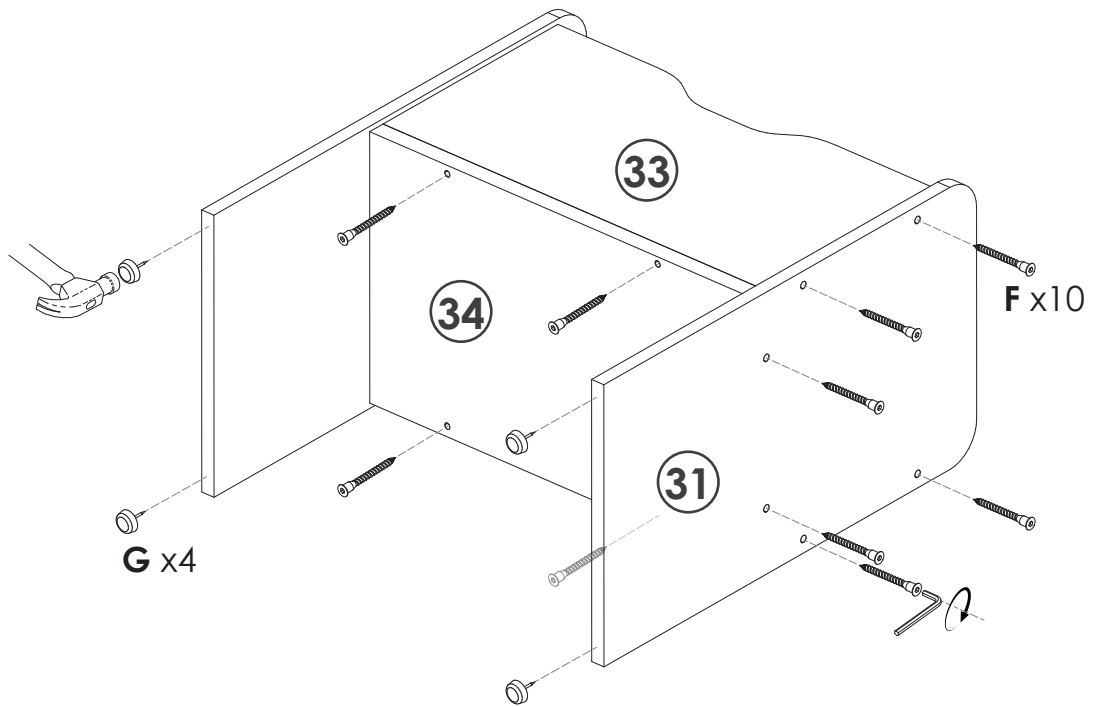
27

YOU WILL NEED

W x8

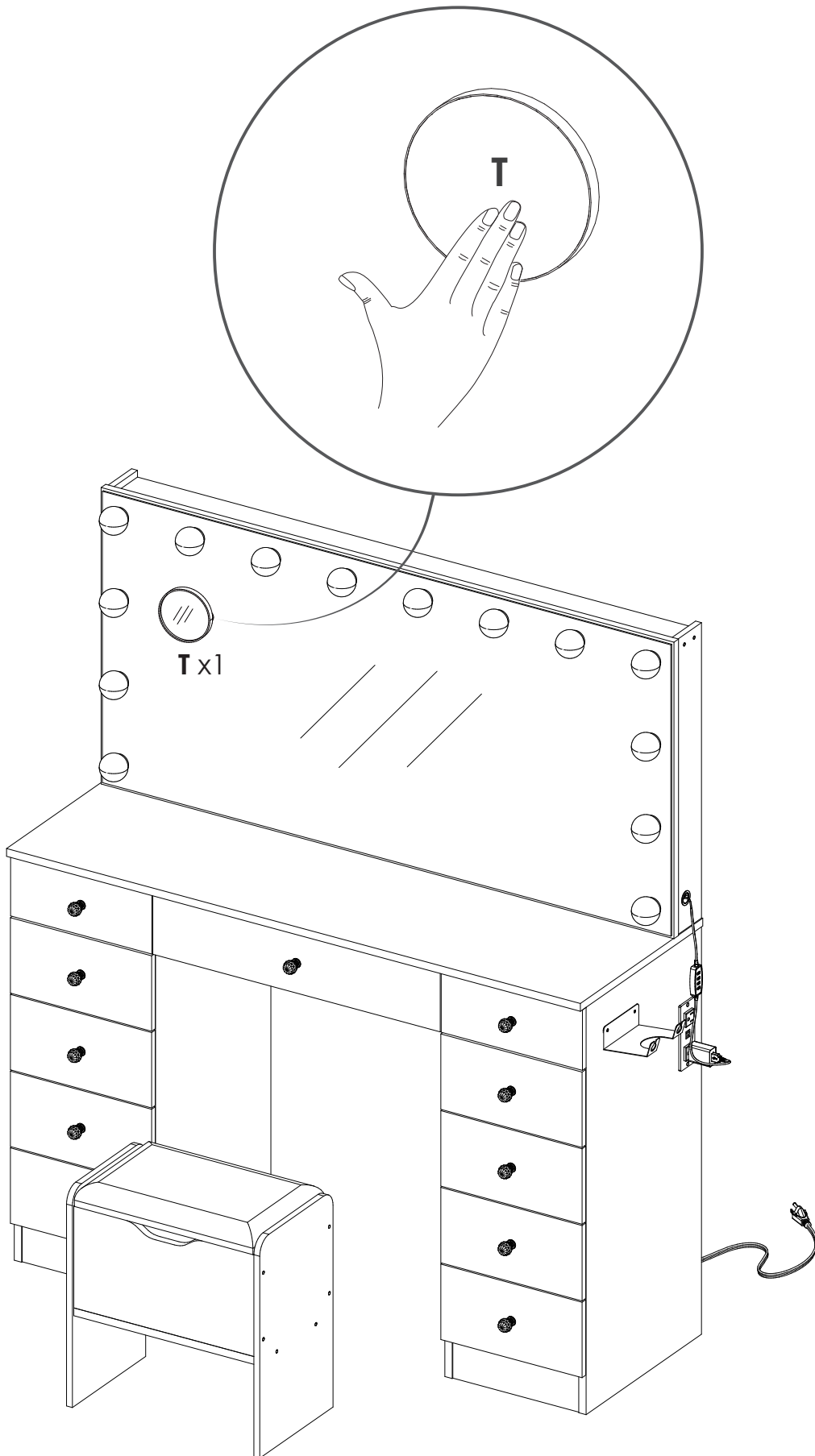
F x10

G x4



YOU WILL NEED

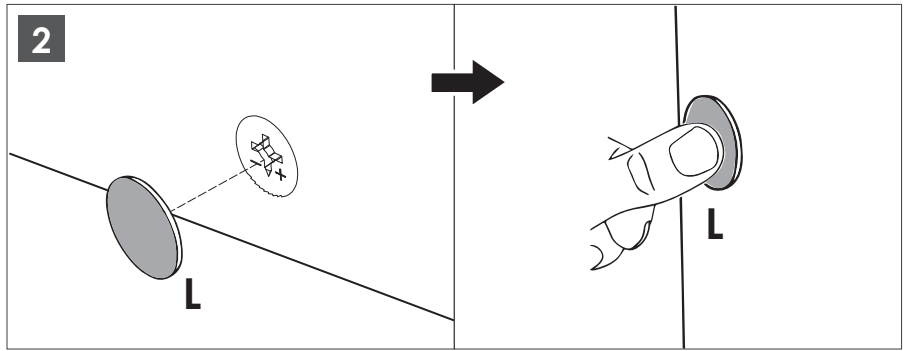
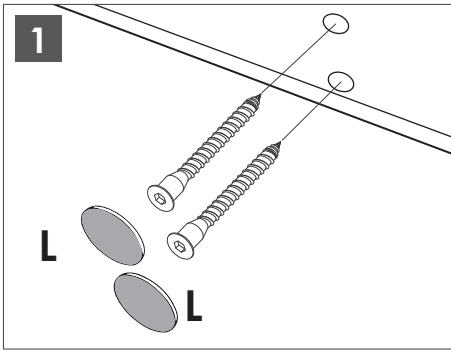
T x1



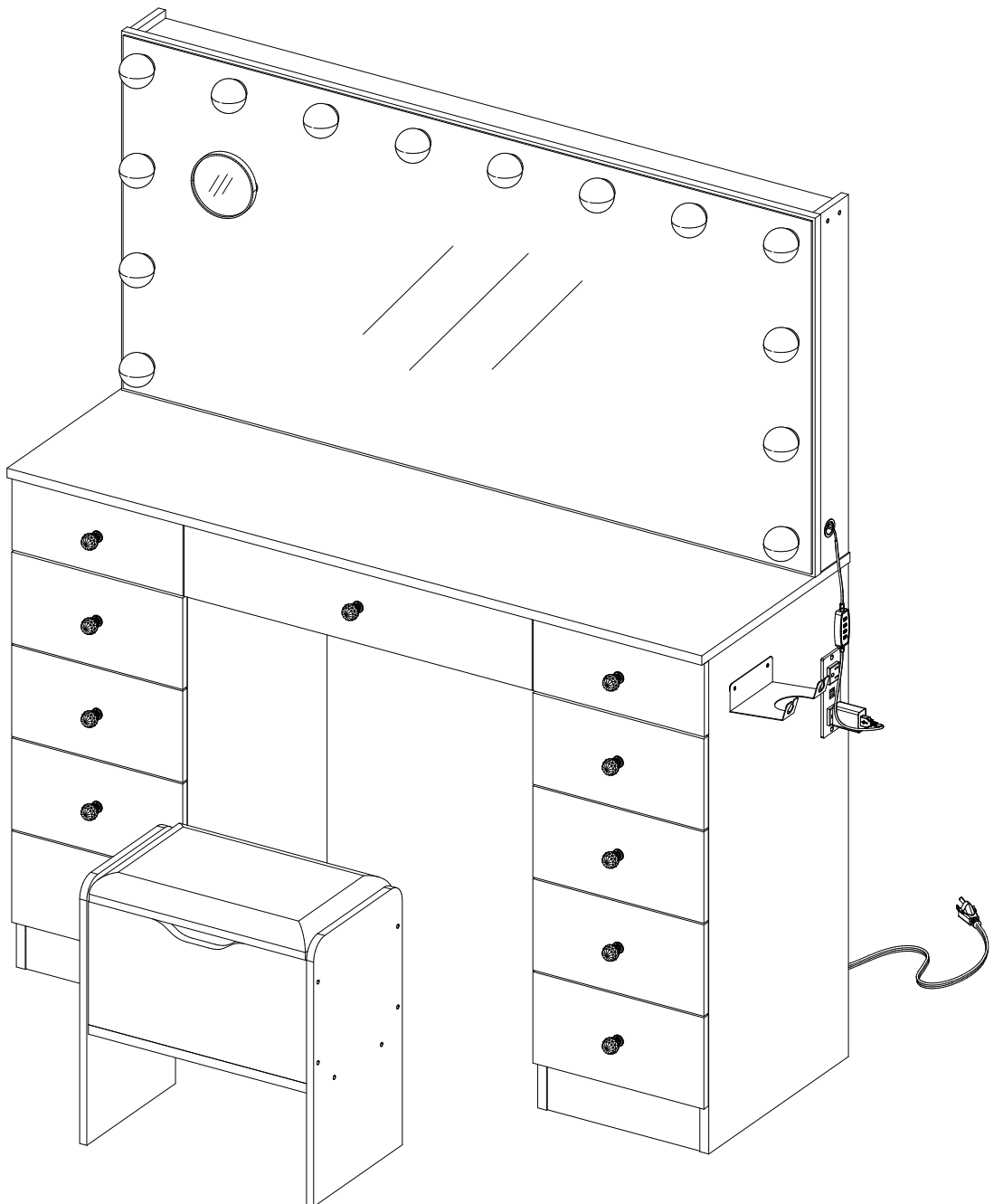
29

YOU WILL NEED

L x56



Add L fittings to all exposed holes on the front of the product



Model: JY-241230

Yingbin Avenue, Panshi Street, Cao County,
Heze City, Shandong Province

Made in China

