

CEILING FAN

Installation Instruction

SAFETY INFORMATION

Please read all safety information and instructions before installing the ceiling fan and save this manual for future reference.

CONTENTS

SAFETY INFORMATION	02
PRE-INSTALLATION	03
PARTS LIST	04
INSTALLATION INSTRUCTION	05
OPERATION INSTRUCTION	16
SPECIFICATIONS	17



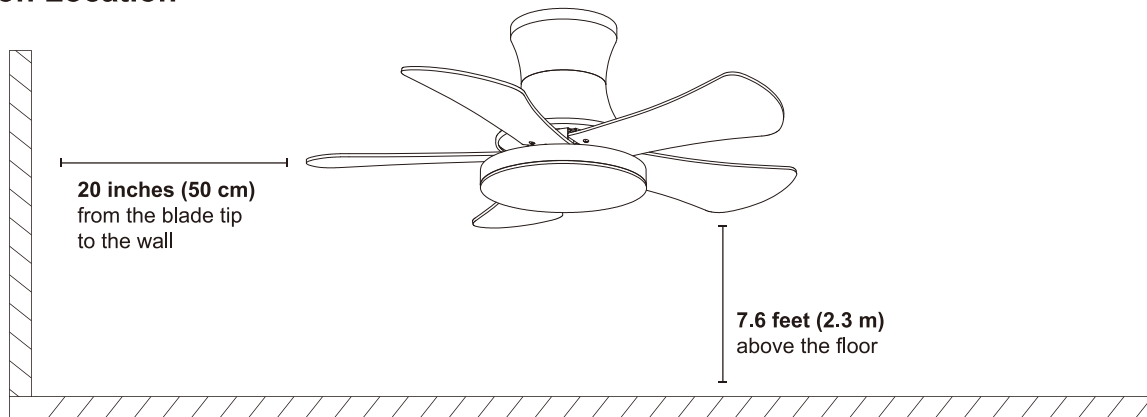
SAFETY INFORMATION



WARNING

- Before connecting the power supply, make sure that the power supply used matches the specifications of the ceiling fan.
- All wiring must comply with national and local electrical codes ANSI/NFPA70. If you are not familiar with wiring, please use a qualified electrician.
- To reduce the risk of fire or electric shock, turn off the power to the fuse box or circuit breaker before installing the fan.
- To reduce the risk of personal injury, attach the fan directly to the building's support structure and ensure that it can accept at least 35 pounds (15.9 kg).
- Make sure that the installation location allows the fan blades to rotate without obstacles.

Installation Location





WARNING

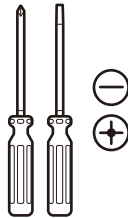
- Do not install the fan with wet hands.
- Do not insert foreign objects between the rotating fan blades.
- Do not bend the fan blades when installing or cleaning the fan.
- Do not disassemble or modify this product or use non-original parts without permission.
- Keep children away from your working area.
- Properly dispose of the fan's packaging material.
- Make sure the ceiling fan is firmly secure to the ceiling. Double check all connections before you restore power.
- Turn off the fan and wait for the blades to stop completely before performing any maintenance or cleaning.

PRE-INSTALLATION

Tools Required (Not Included)



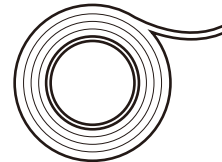
Power Drill
Mounting Bracket Installation



Screwdriver
Fan Blade Installation



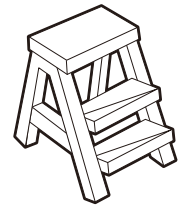
Wire Stripper
Wiring Instruction



Electrical Tape
Wiring Instruction



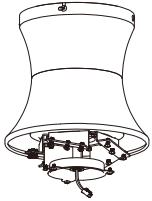
Battery X 2
Type:LR03 OR AAA
(Goes in the remote control)
(Batteries not included)



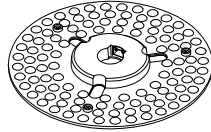
Step Ladder



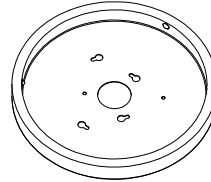
Parts List



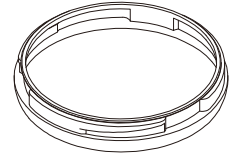
Motor x 1



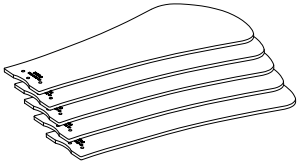
LED Module x1



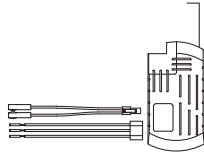
Light fixture frame x1



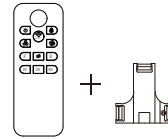
Lamp shade x1



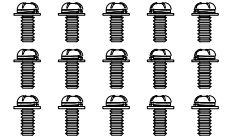
Fan Blades x 3



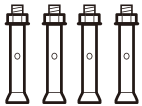
Receiver x 1



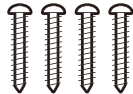
Remote Control + Bracket x 1



Blade Screws x15



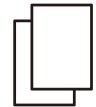
Expansion Bolts x4



Self-tapping Screws x 4



Remote Bracket Screws x 2

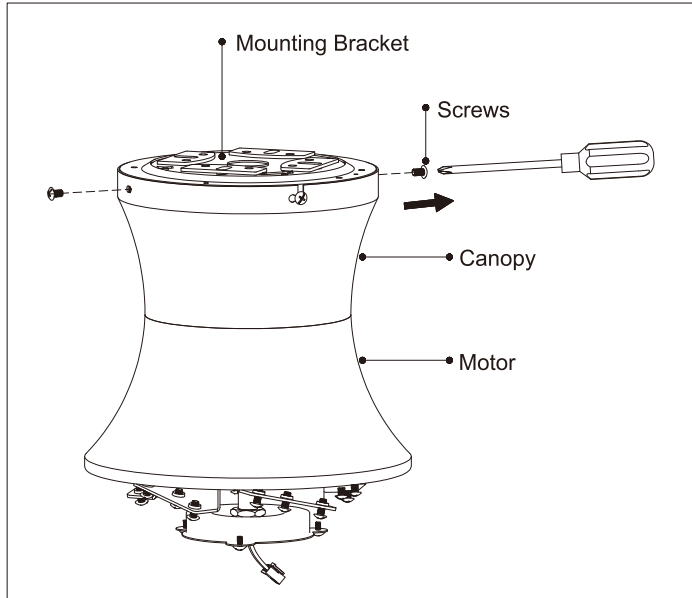


Balance Kits x 2



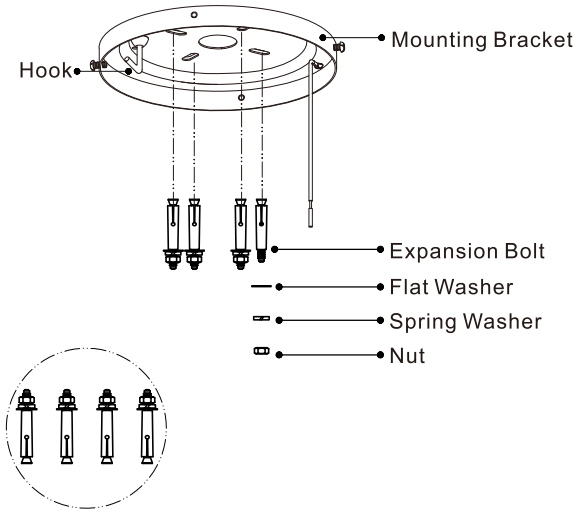
INSTALLATION INSTRUCTION

Step 1: Mounting Bracket Installation



Disassemble the screws on the mounting bracket.

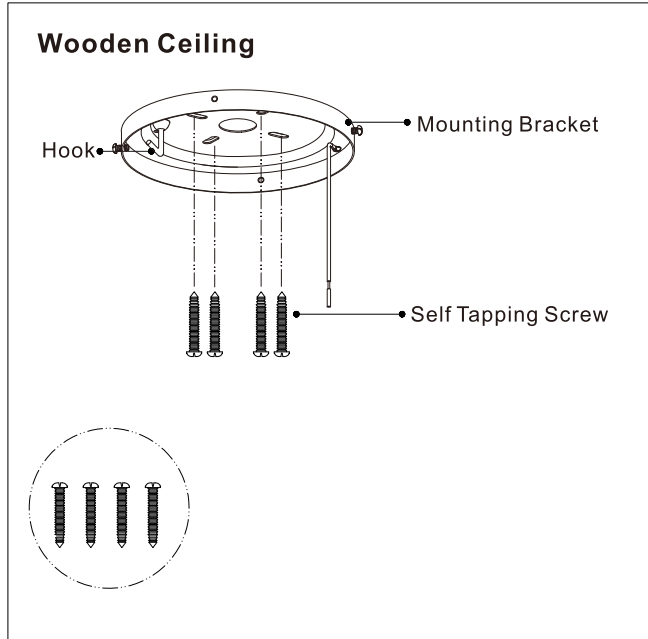
Concrete Ceiling



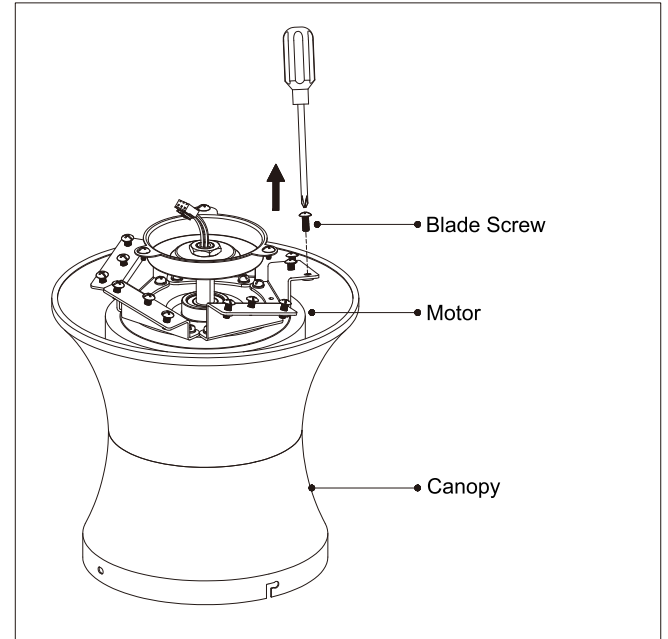
1. Drill holes with electric drill ($\Phi 8$ mm).
2. Use expansion screws to fix the mounting bracket to the ceiling.

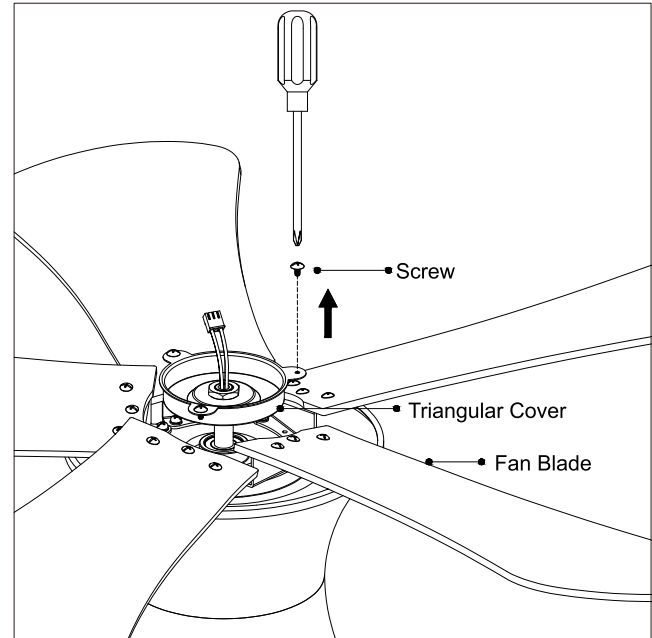
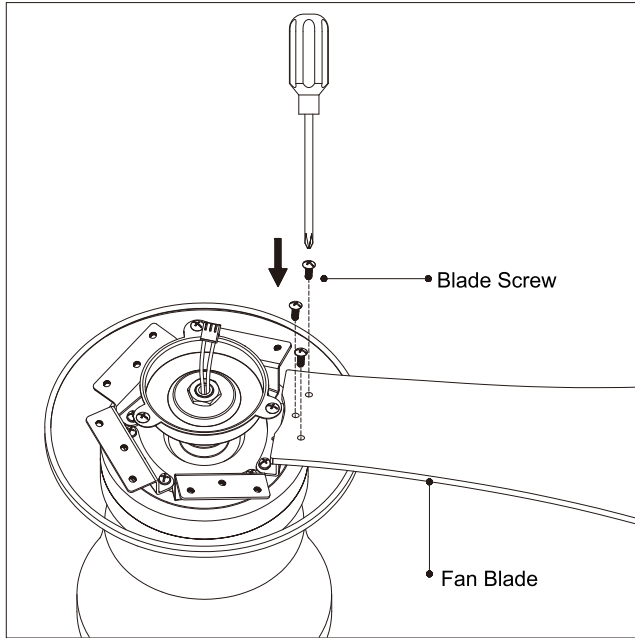


Step 2: Install fan blades



Fasten the mounting bracket to the ceiling with self tapping screws.



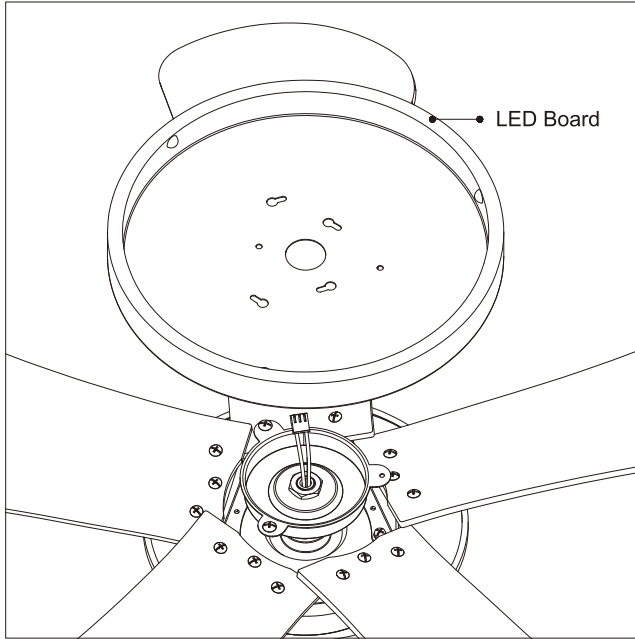


Note:

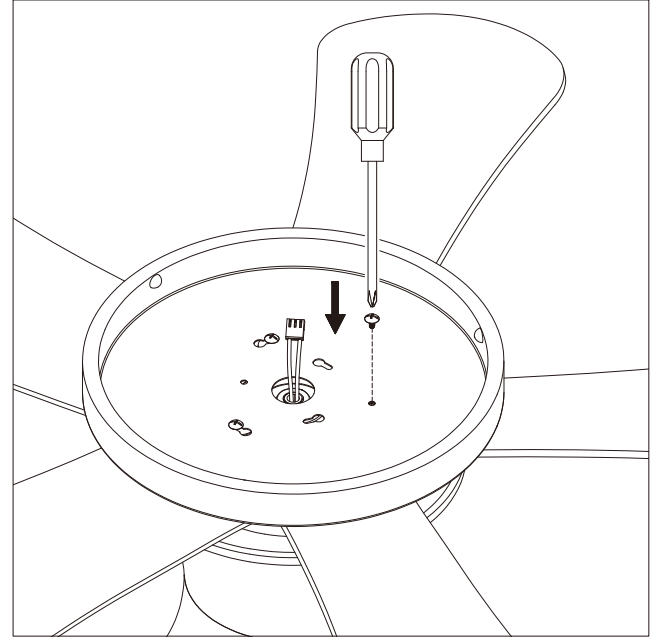
Do not tighten the screws when installing the blades and then tighten all the screws after all the fan blades are installed.



Step 3: Install the light fixture frame

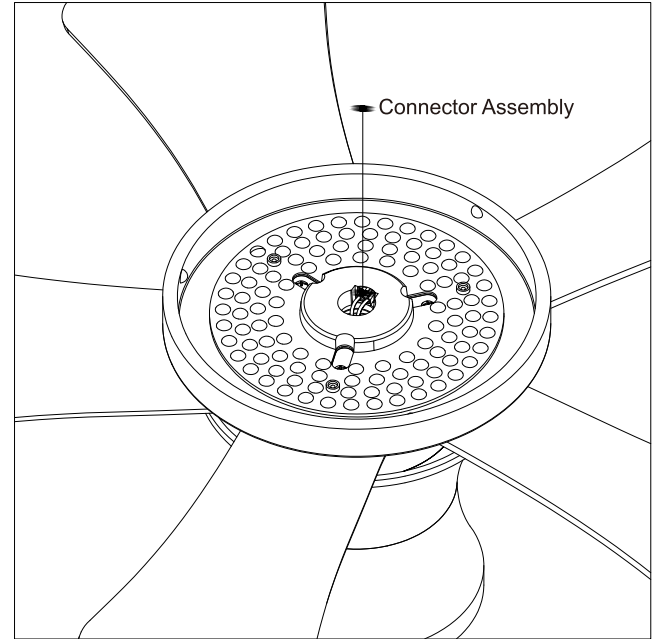
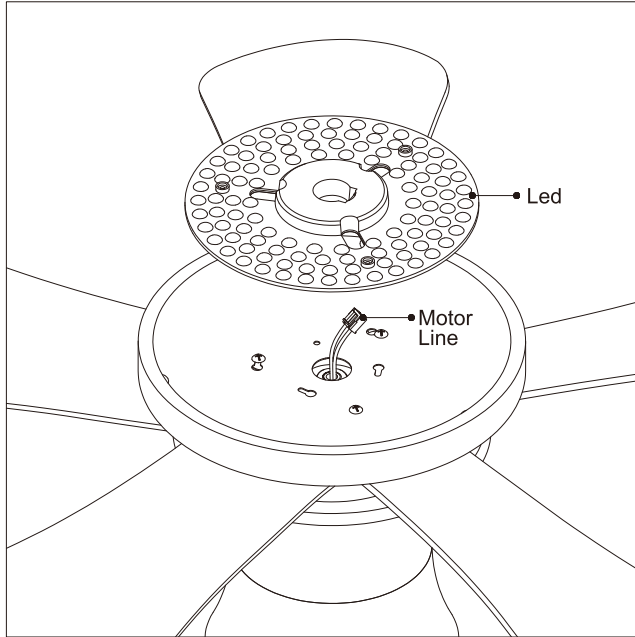


Step 4: Lock the light fixture frame with screws until it is tightened



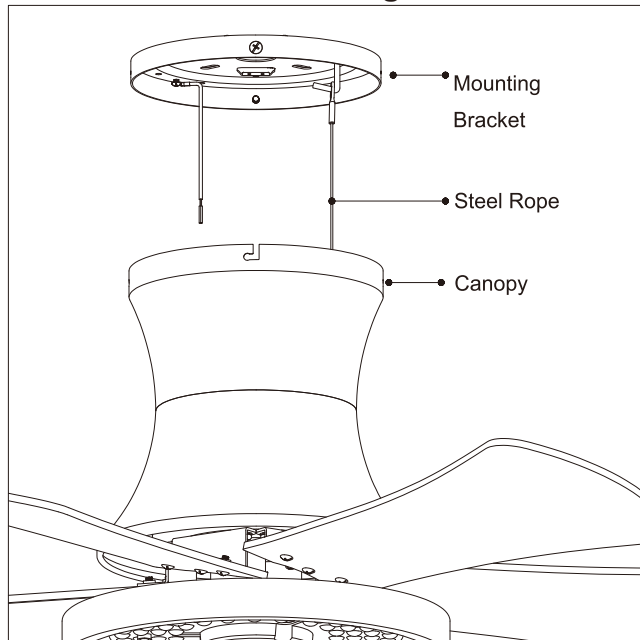


Step 5: Insert the LED Module terminal wire





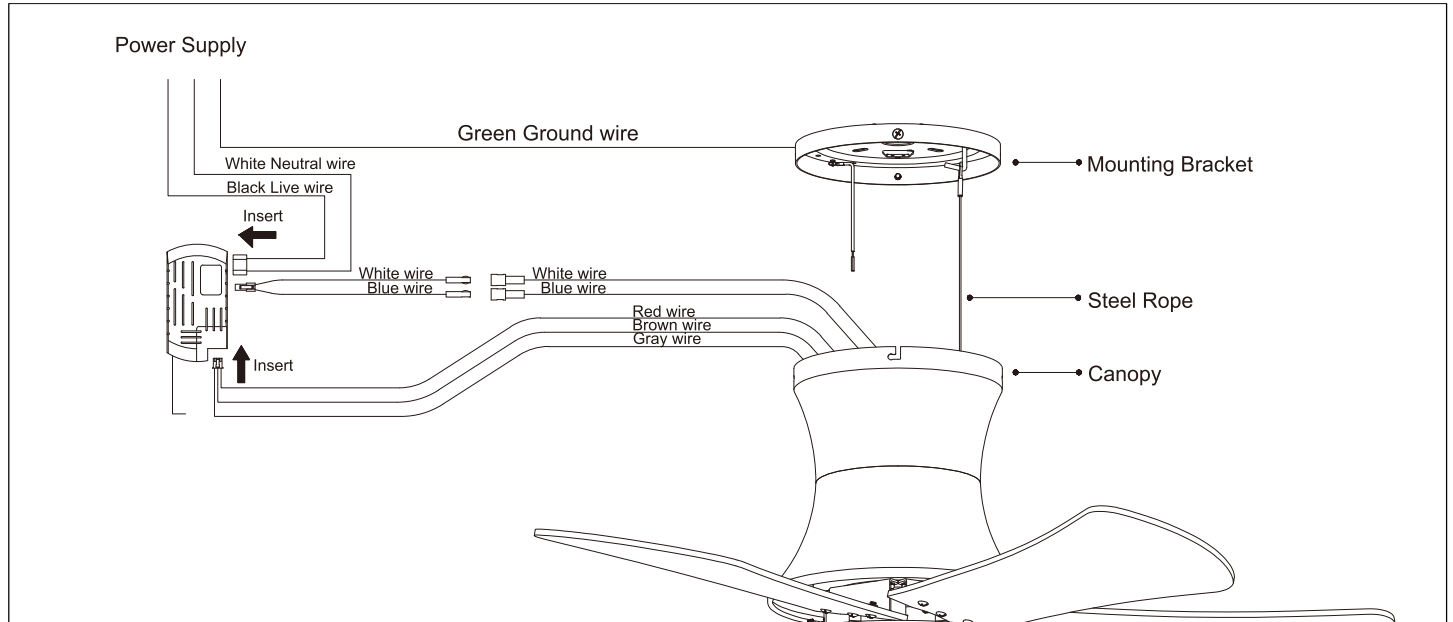
Step 6: Hang the fan body on the hook on the mounting bracket





Step 7:Wiring Instruction

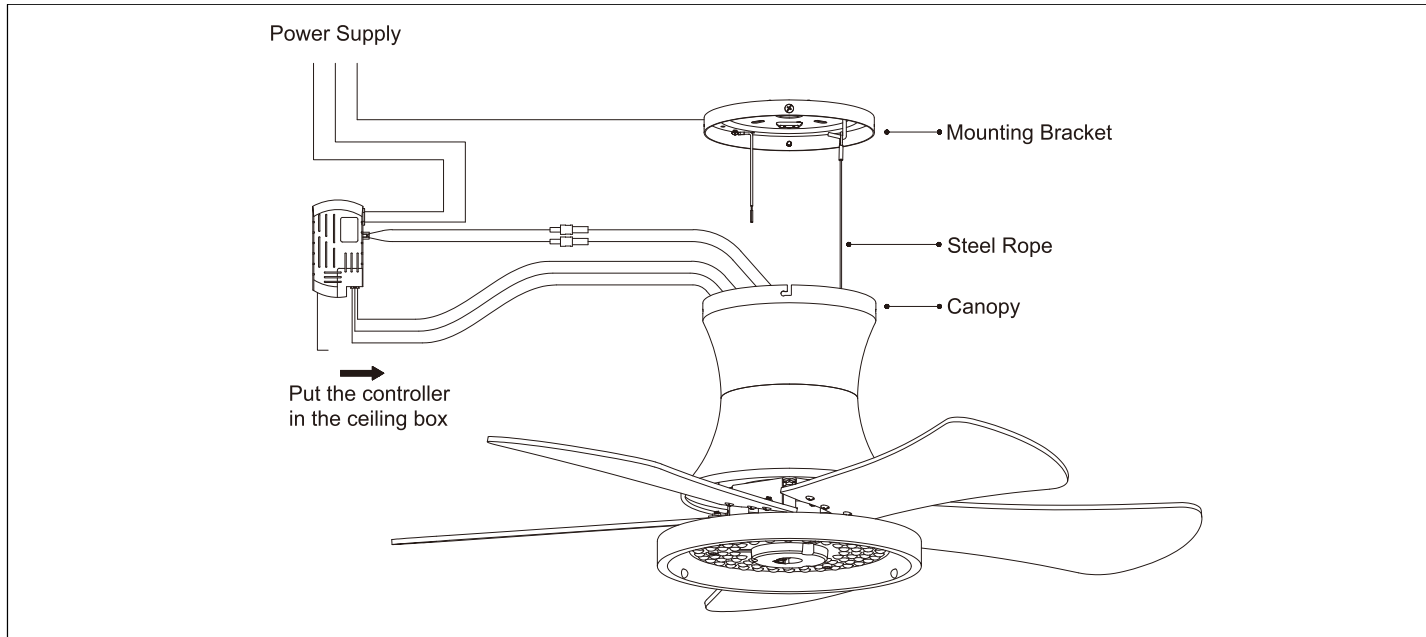
⚠ Shut off the power to the fuse box or circuit breaker before wiring



The receiver is connected to the motor power cord and the ceiling power cord respectively.

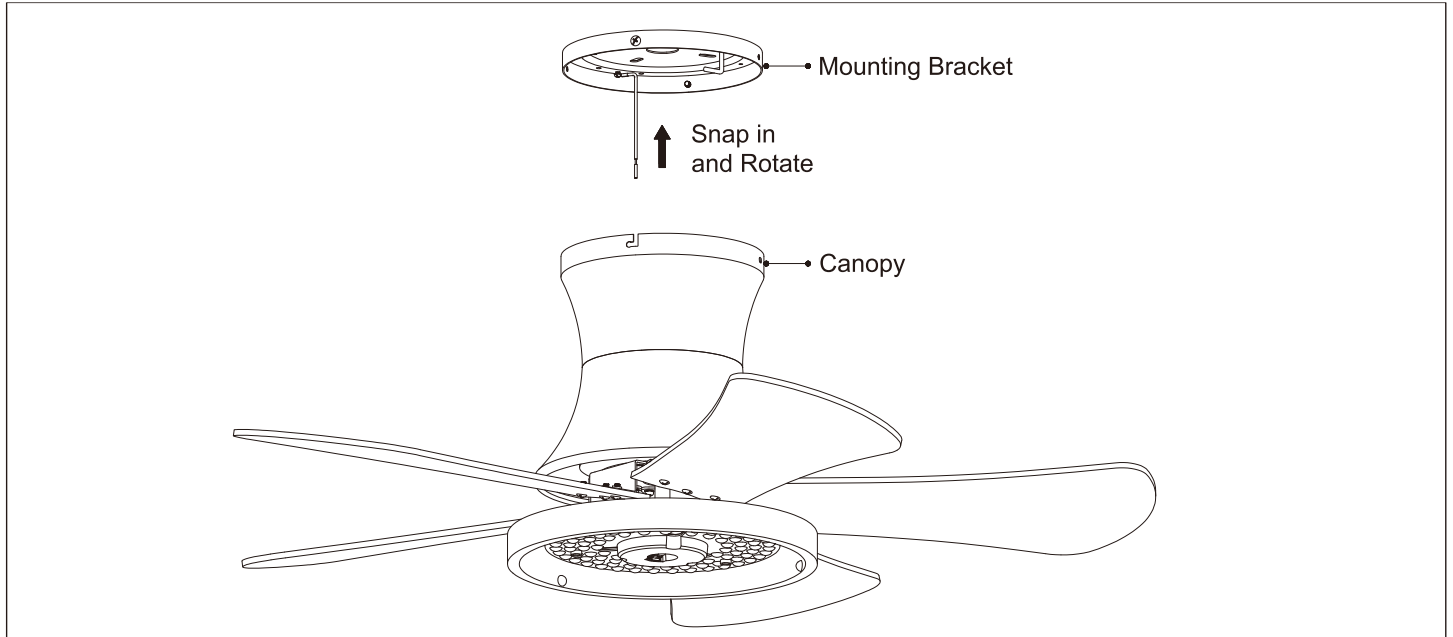


Step 8: Put the controller into the ceiling box



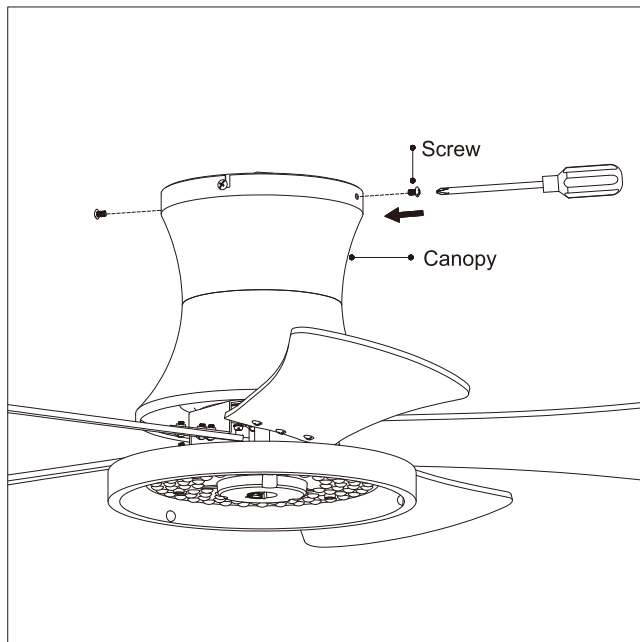


Step 9: Insert the fan body slot and rotate it clockwise to fix it on the two screws of the mounting bracket



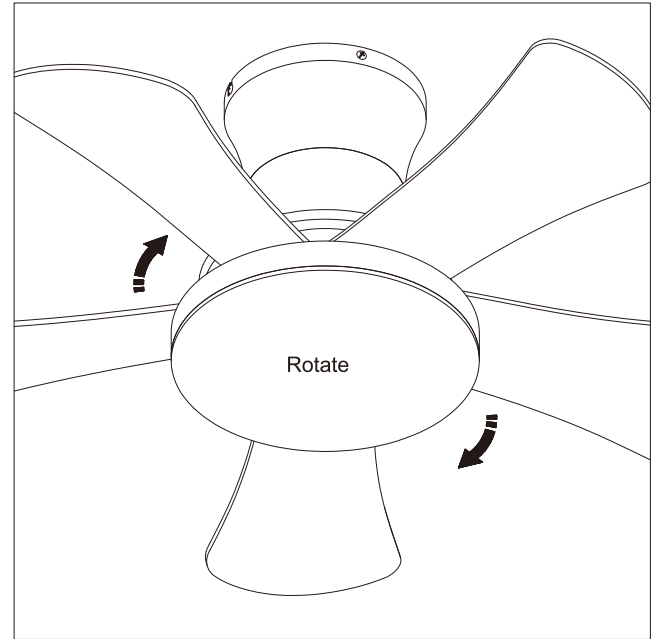
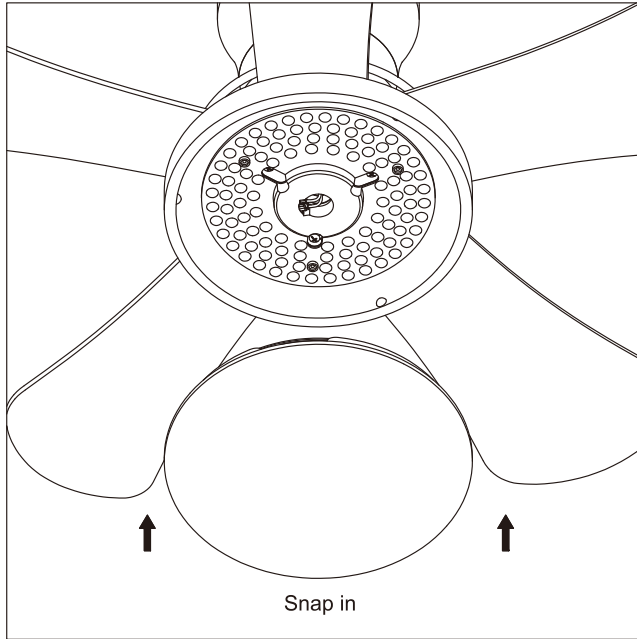


Step 10: Lock the fan body with screws and fix it on the mounting bracket





Step 11 :Tighten the lampshade

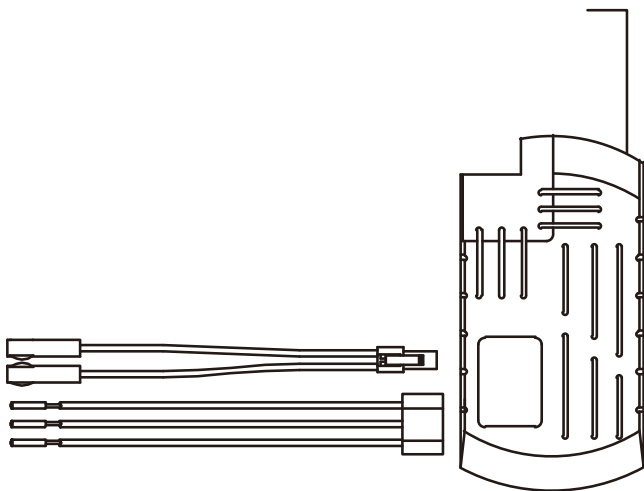




OPERATION INSTRUCTION

Control Method

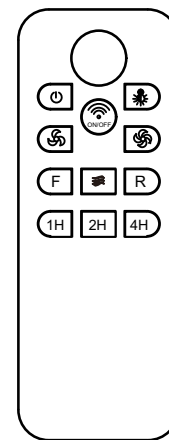
WIRING SCHEMATIC DIAGRAM FOR RECEIVER



KINDLY REMINDERS:

1. Learning code matching mode is used between emitter and receiver. Turn off the power for 10 seconds then press and hold the "ALL OFF" and "Light ON/OFF" button of the remote control at the same time with your left hand, Immediately turn on the power with your right hand, hear the two beeps, release your left hand, and successfully learn the code.
2. When the emitter cannot control the receiver, please check the battery switch touching normally or not, correction of the positive and negative, full or empty of the power.
3. When the emitter cannot control the receiver, please check is there any existence of similar remotecontrolled products nearby. then check whether they works, because remote controlled product with the same frequency will disturb each other.
4. when installing the fan ,the ceiling cover donot press the antenna or other wire, it is easy to breakdown the wire and short-circuited

Remote control diagram



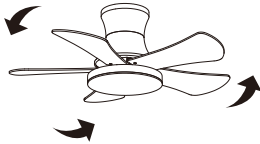


Note:

Sensing Distance: 33 ft - 49 ft (10m -15m)

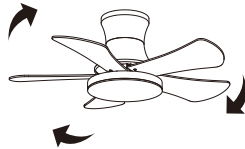
Direction of the fan is controlled by the Reverse Switch.

Reversible Function



Summer (Forward):

A downward airflow creates a cooling effect.



Winter (Reverse):

An upward airflow increases the indoor temperature.

PS: If you want to change the fan's rotation direction, please press the button while the fan is running.

Timing Control

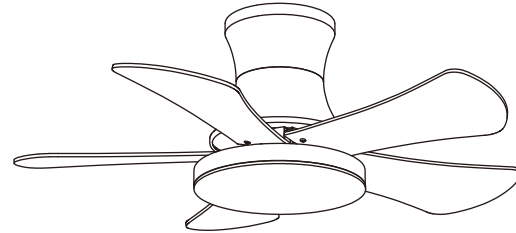
1H: The fan will automatically shut off after 1 hour.

2H: The fan will automatically shut off after 2 hours.

4H: The fan will automatically shut off after 4 hours.

Close the Timing Control: Press the button  "FAN ON/OFF"

SPECIFICATIONS



Product Name	36-Inch Ceiling Fan
Rated Voltage	120V
Motor Power	16W
control method	Remote Control
Lamp configuration	36W Bi-ColorLED
lampshade size	Φ290 mm
Fan blade	3 fan blades

TROUBLESHOOTING

If there is a problem with the fan during use, please check the following tips for solutions. If the problem still cannot be solved, please contact our after-sales team.

The Fan Does Not Respond to the Remote Control.

- Check that all wire connections are correct and secure.
- Verify that the power is turned on and reaching the receiver.
- Verify that the batteries of the remote control are installed with the correct polarity, making sure to install the + (positive) end of the batteries on the solid end and the - (negative) end on the spring.

The Fan Makes a Humming Noise.

- Make sure the controls you use are supplied with your fan.
- Make sure all accessories are securely fastened. Loose parts often cause a vibrating noise or buzzing sound.
- Disassemble the fan and reinstalling it can sometimes remedy this resonant vibrating noise.

The Fan Makes a Repetitive Ticking Noise.

- Check for obstructions in the rotor path.
- Make sure mounting hardware at the ceiling is firmly fastened.
- Make sure all other hardware and blade attachments are tight.
- Give the fan a "Break in Period" of a few hours to a few days, then repeat the steps above.

The Fan Wobbles.

- Make sure the mounting plate and hardware at the ceiling are firmly fastened.
- Make sure all screw fittings on the fan are tight.
- If necessary, use the self-tapping screws provided to further secure the bracket to the joist.