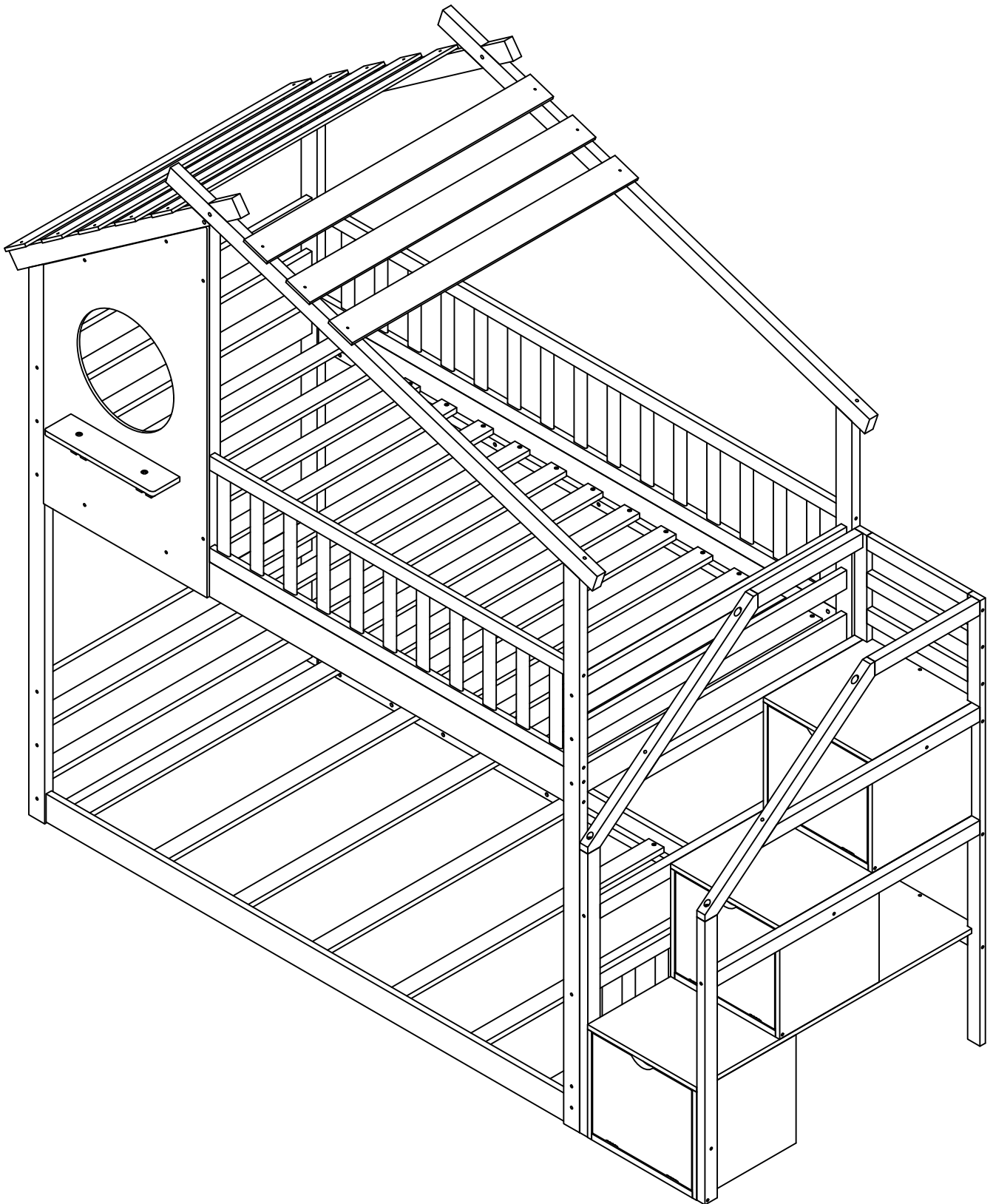


ASSEMBLY INSTRUCTIONS

TWIN TWIN HOUSE BUNK BED



ASSEMBLY INSTRUCTIONS



SAFETY WARNINGS



1. This bed is designed for use only mattress (es) meeting the following specifications on the upper bunk, and lower bunk:

Upper bunk (bunk bed and tribed included)

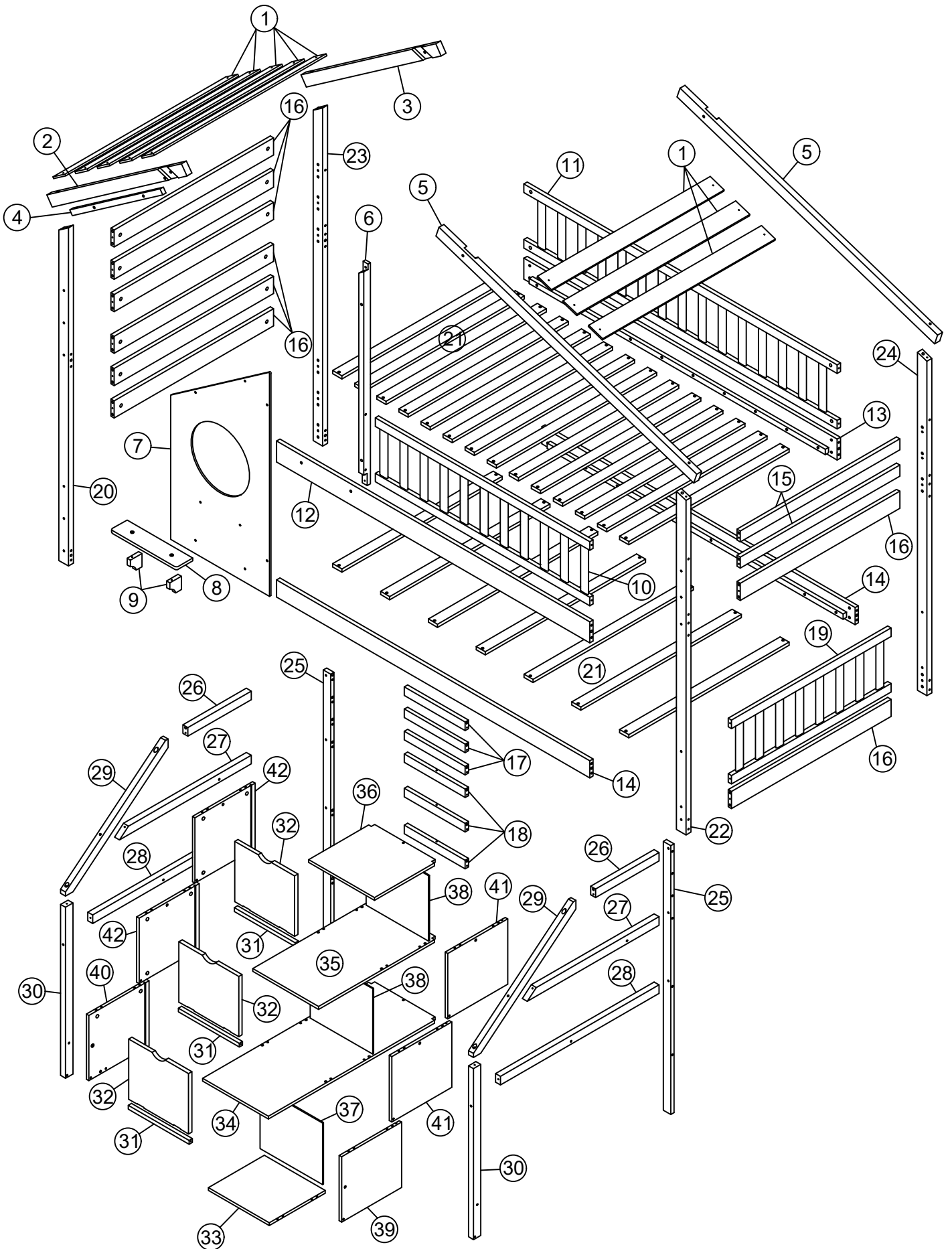
Bed Type	Length	Width	Thickness
Twin Standard	74" - 75"	37 $\frac{1}{2}$ " - 38 $\frac{1}{2}$ "	6" max

Lower bunk

Bed Type	Length	Width	Thickness
Twin Standard	74" - 75"	37 $\frac{1}{2}$ " - 38 $\frac{1}{2}$ "	8"


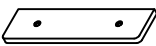
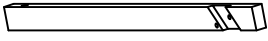


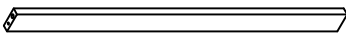

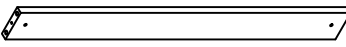
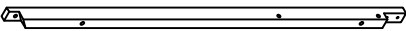
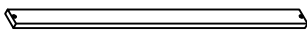

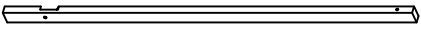
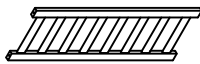
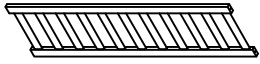
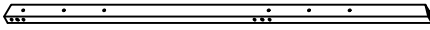
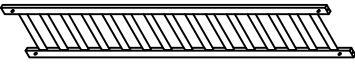
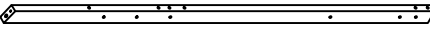

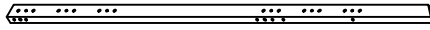
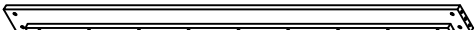
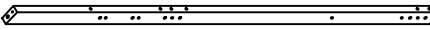
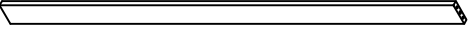
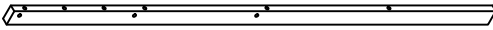
2. Replacement parts, including additional guardrails, maybe obtained from any of our dealers
3. Follow the information on the warnings appearing on the upper bunk bed end structure and on the carton. Do not remove warning label from bed.
4. Always use the recommended size mattresses or mattress supports, or both, to help prevent the likelihood of entrapment or falls.
5. Surface of mattress must be at least 5" (127mm) below the upper edge of guardrails.
6. Do not allow children under 6 years of age to use the upper bunk.
7. Periodically check and ensure that the guardrail, ladder, and other components are in their proper position, free from damage, and that all connectors are tight.
8. Do not allow horseplay on or under the bed and prohibit jumping on the bed.
9. Always use the ladder for entering and leaving the upper bunk.
10. Do not use substitute part. Contact the manufacture or dealer for replacement part.
11. Use of a night light may provide added safety precaution for a child using the upper bunk.
12. Always use guardrails on both long sides of the upper bunk. If the bunk bed will be placed next to the wall, the guardrail that runs the full length of the bed should be placed against the wall to prevent entrapment between the bed and wall.
13. The use of water or sleep flotation mattresses is prohibited.
14. **STRANGULATION HAZARD** - Never attach or hang items to any part of the bunk bed that are not designed for use with the bed; for example, but not limited to, hook, belts and jump ropes.
15. Keep these instruction for future reference.
16. Prohibit more than one person on upper bunk
17. We recommend assembling your bunk bed on the shipping carton to protect your floor or carpet.
18. Be certain all staples are out of the box before beginning assembly on the shipping carton.

ASSEMBLY INSTRUCTIONS



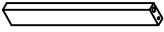

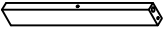

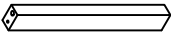

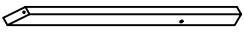
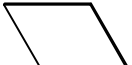
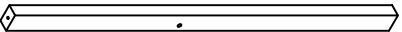
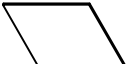
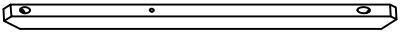

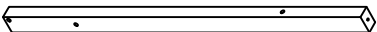






ASSEMBLY INSTRUCTIONS

PARTS LIST

1	 Roof panels	8pcs	8	 Window bar	1pc
2	 Roof left front support	1pc	9	 Window bar supports	2pcs
3	 Roof left back support	1pc	15	 Head board panel	2pcs
4	 Roof bottom support	1pc	16	 Head board panels	8pcs
6	 Roof bottom front support	1pc	21	 Slats (upper 14pcs / lower 7pcs)	21pcs
7	 Window panel	1pc			
5	 Roof right supports	2pcs	19	 Foot board bottom frame	1pc
10	 Front guard rail frame	1pc	20	 Left front leg	1pc
11	 Back guard rail frame	1pc	22	 Right front leg	1pc
12	 Upper front side rail	1pc	23	 Left back leg	1pc
13	 Upper back side rail	1pc	24	 Right back leg	1pc
14	 Lower side rails	2pcs	25	 Right & left back frame	2pcs















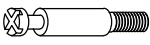



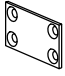

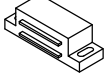


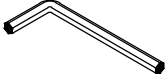
ASSEMBLY INSTRUCTIONS

PARTS LIST

17	 Top back frame	3pcs	34	 Storage ladder between panel	1pc
18	 Bottom back frame	3pcs	35	 Storage ladder between panel	1pc
26	 Top storage ladder support	2pcs	36	 Storage ladder top panel	1pc
27	 Between storage ladder support	2pcs	37	 Storage ladder back panel	1pc
28	 Bottom storage ladder support	2pcs	38	 Storage ladder back panel	2pcs
29	 Top front storage ladder support	2pcs	39	 Storage ladder side panel	1pc
30	 Front storage ladder support	2pcs	40	 Storage ladder side panel	1pc
31	 Storage ladder support	3pcs	41	 Storage ladder side panel	2pcs
32	 Storage ladder door panels	3pcs	42	 Storage ladder side panel	2pcs
33	 Storage ladder bottom panel	1pc			

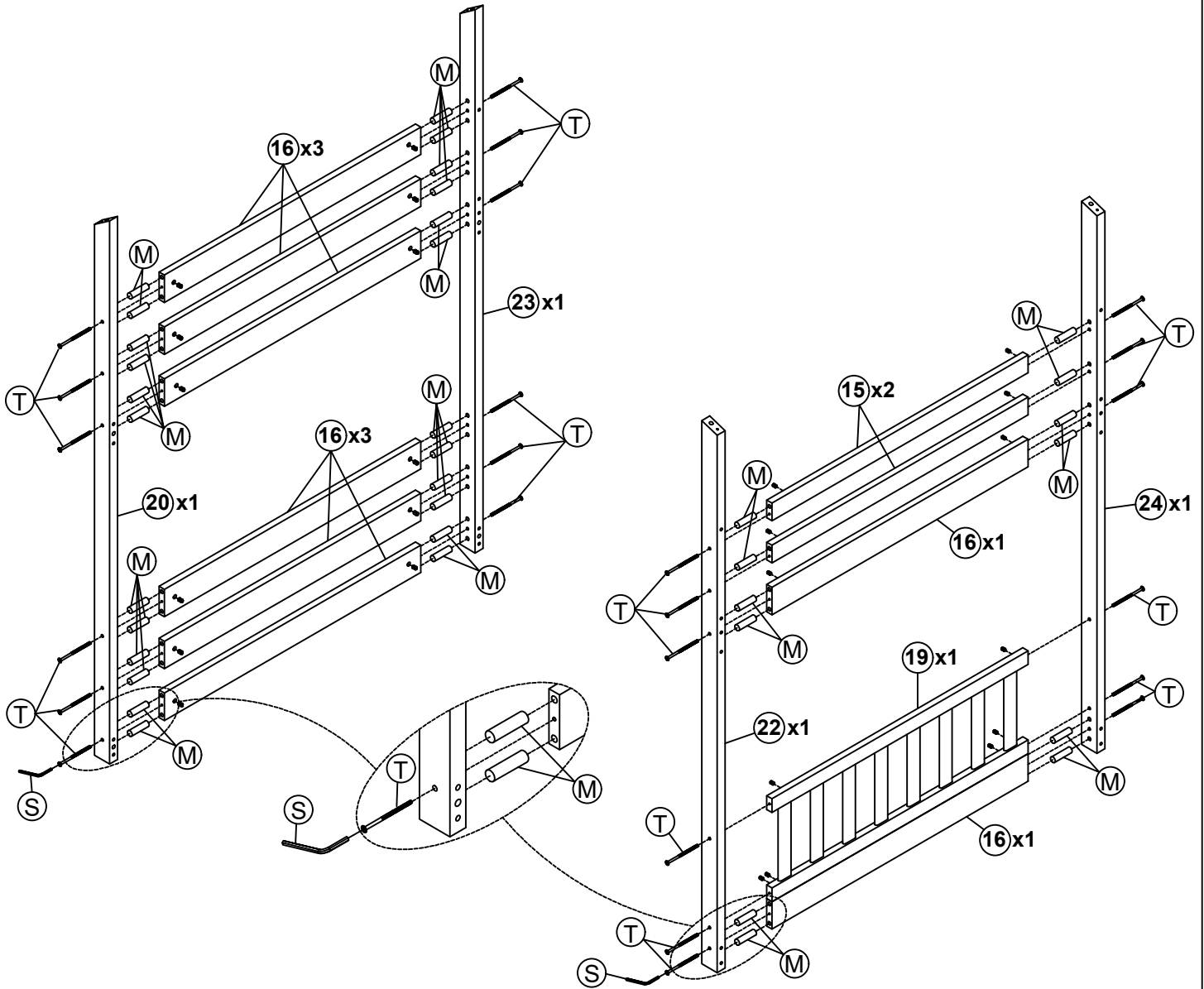
ASSEMBLY INSTRUCTIONS




HARDWARE LIST

A	Ø4x30		44PCS	T	1/4x75	 	26PCS
B	Ø4x25		16PCS	K	1/4x40	 	9PCS
C	Ø4x15		8PCS	L	1/4x25	 	6PCS
D	Ø3x15		18PCS	M	Ø10x40		62PCS
E	6.5x100		4PCS	N	Ø8x30		24PCS
F	6.5x90		18PCS	O	Ø 6.5x35		24PCS
G	6.5x80		4PCS	P	Ø15x12		24PCS
H	6.5x60		9PCS	Q	50x28x2		2PCS
I	6.5x40		11PCS	R	44x17x14		3PCS
J	1/4x110	 	22PCS	S	4x58		1PC

ASSEMBLY INSTRUCTIONS

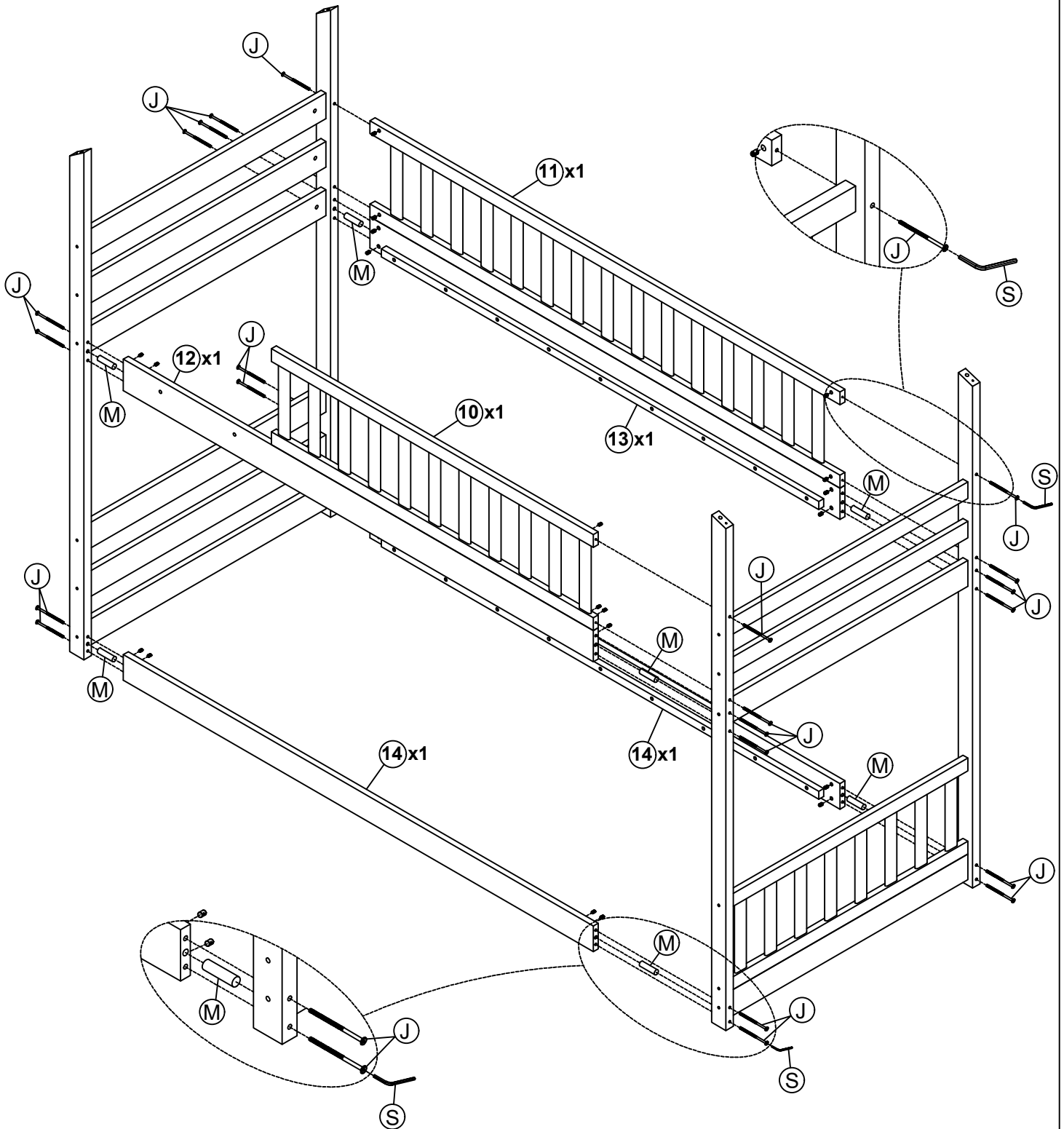
Step 1






M	Ø10x40		36PCS
T	1/4x75		24PCS
S	4x58		1PC

ASSEMBLY INSTRUCTIONS

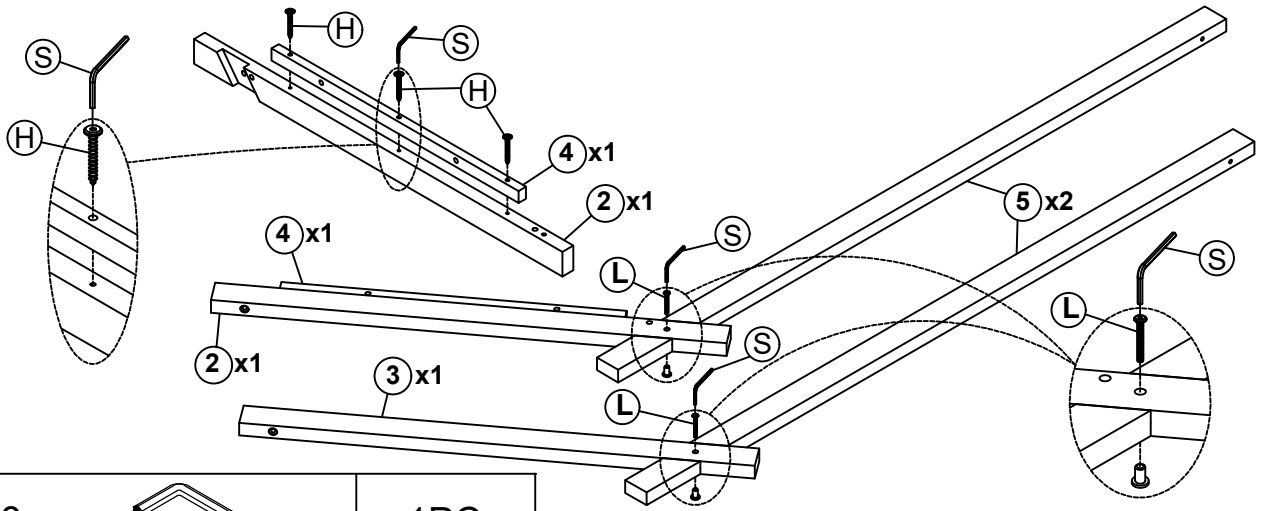
Step 2




				S	4x58		1PC
M	Ø10x40		8PCS	J	1/4x110		22PCS

ASSEMBLY INSTRUCTIONS

Step 3

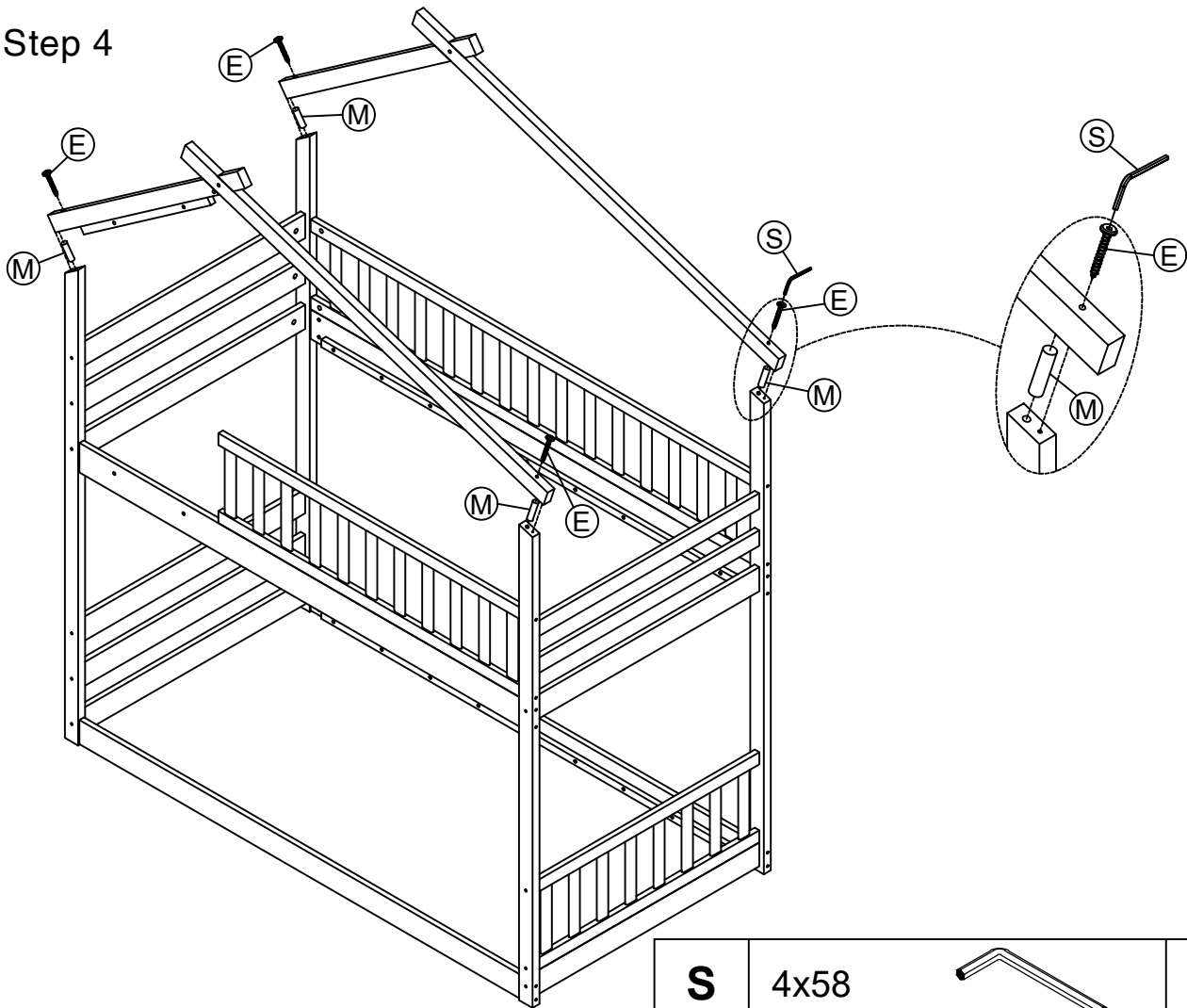



S	4x58		1PC
----------	------	---	-----


H	6.5x60		3PCS
----------	--------	---	------

L	1/4x25		2PCS
----------	--------	---	------

Step 4



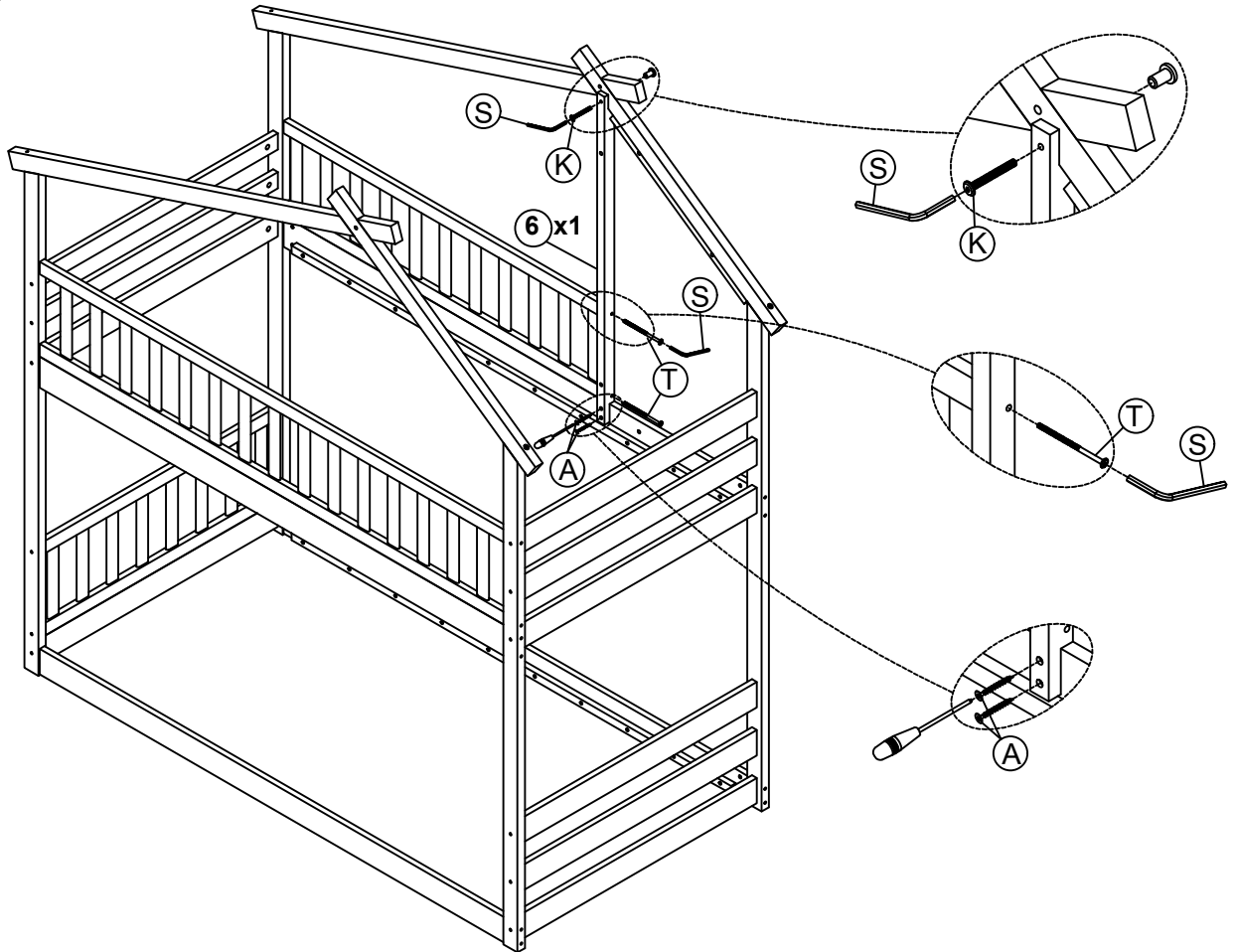
S	4x58		1PC
----------	------	---	-----


E	6.5x100		4PCS
----------	---------	---	------

M	Ø10x40		4PCS
----------	--------	---	------

ASSEMBLY INSTRUCTIONS

Step 5



A Ø4x30 

2PCS

S 4x58 

1PC

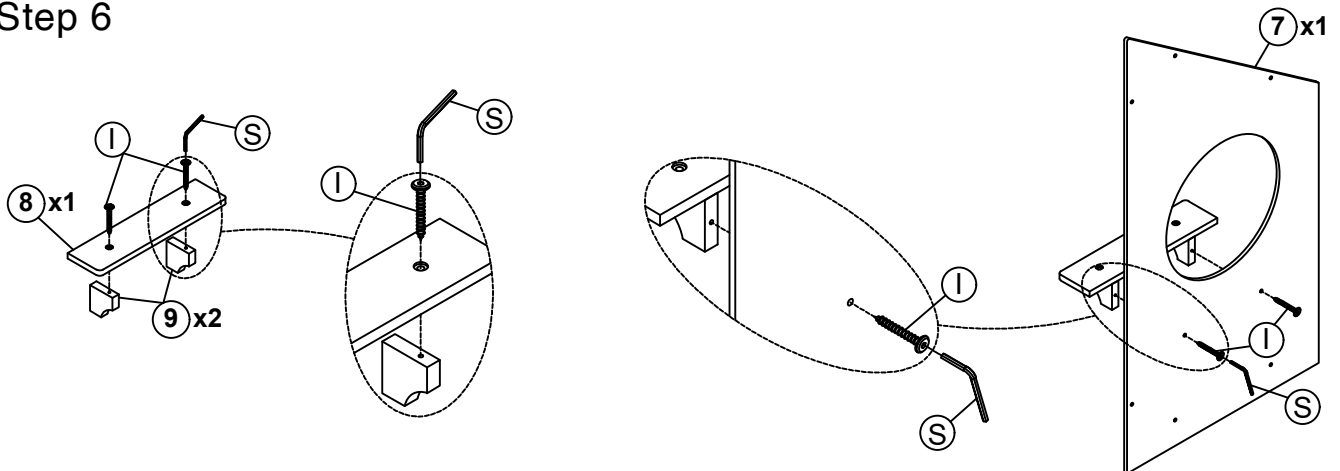
T 1/4x75 

2PCS

K 1/4x40 

1PC

Step 6



I 6.5x40 

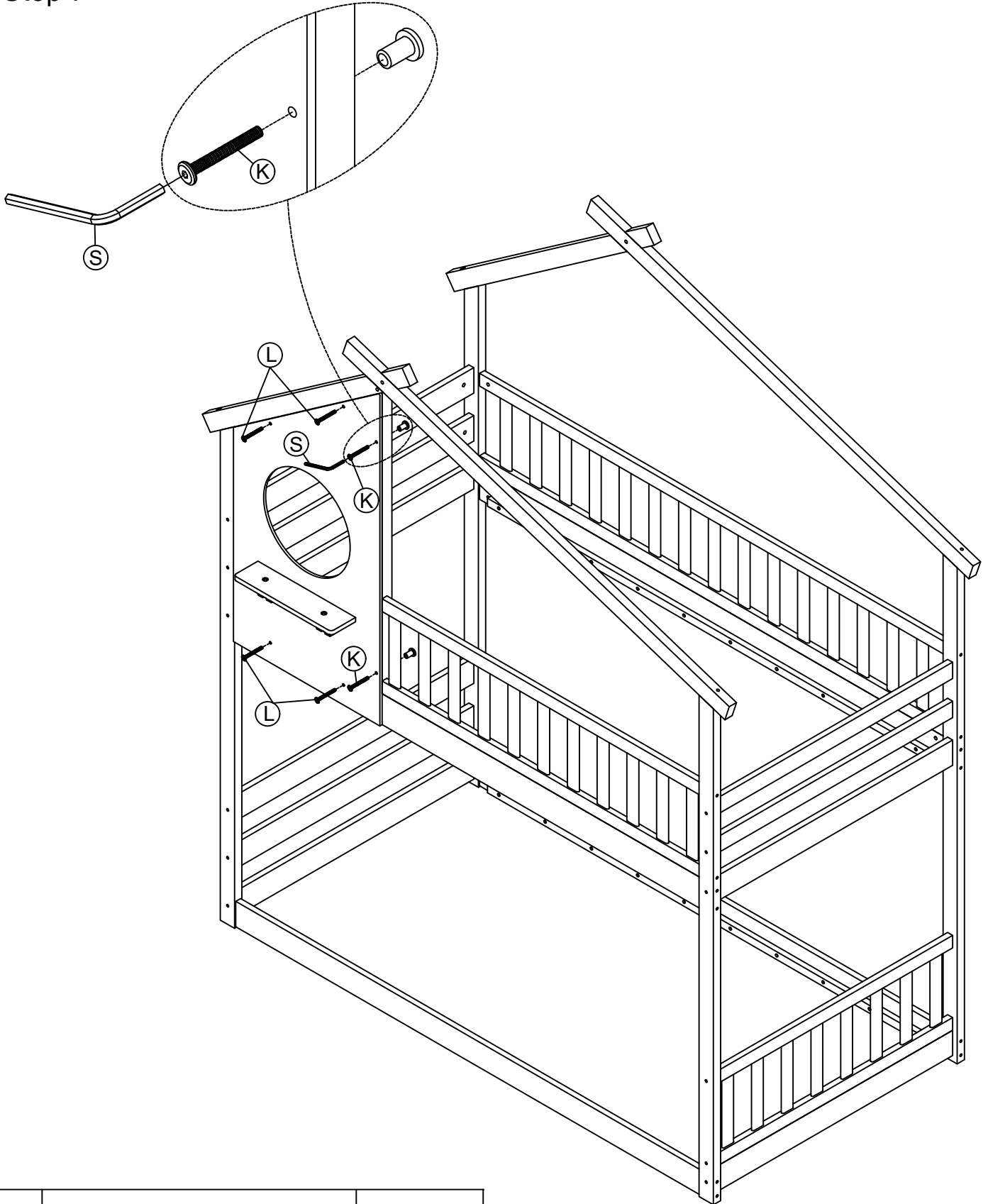
4PCS




S 4x58 

1PC

ASSEMBLY INSTRUCTIONS

Step 7

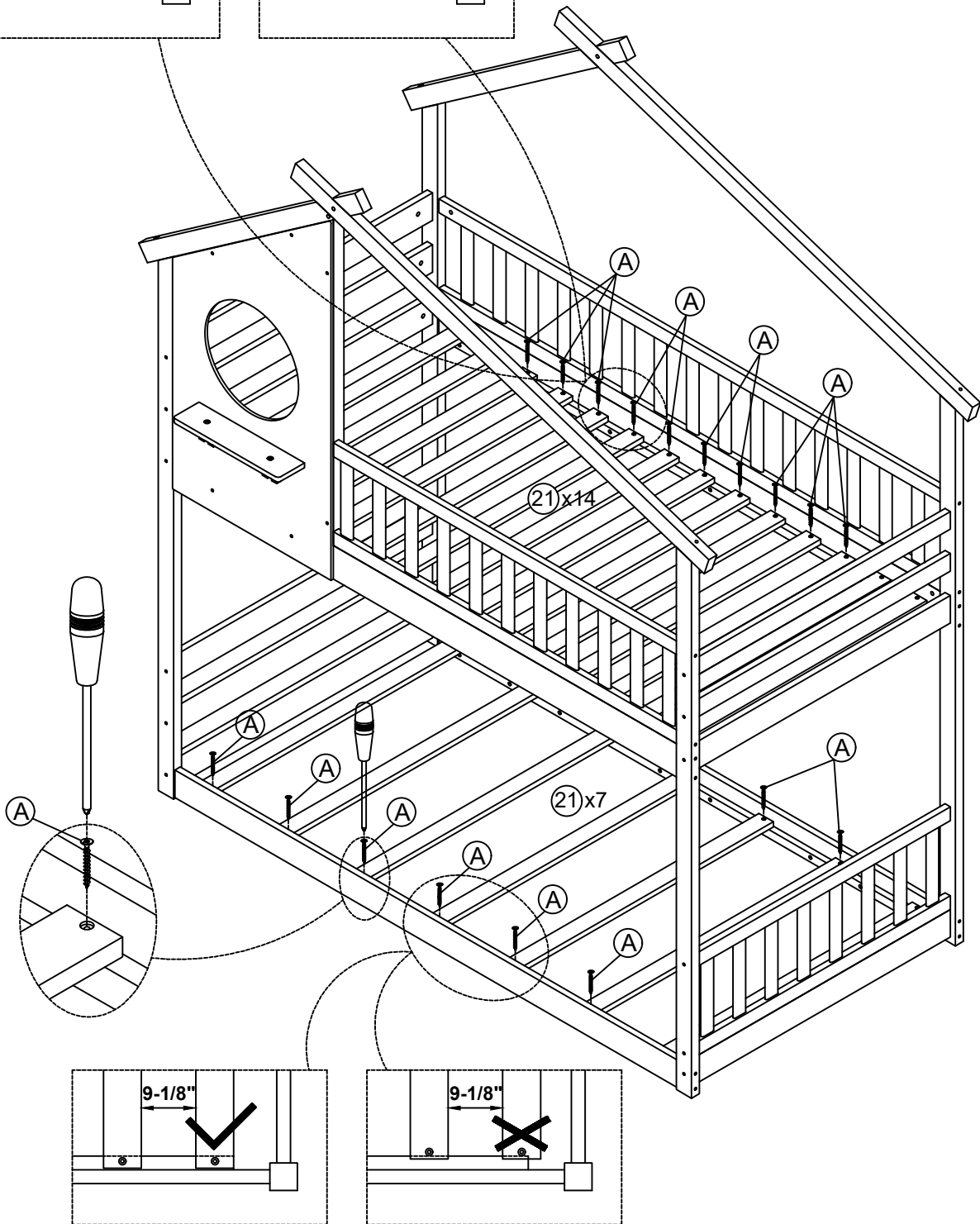
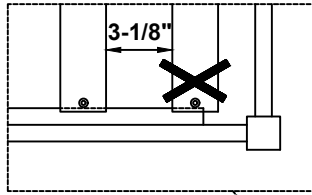
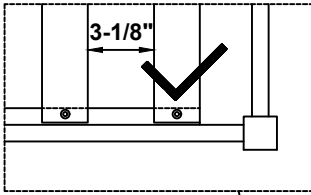


L	1/4x25		4PCS			
K	1/4x40		2PCS	S	4x58	
						1PC

ASSEMBLY INSTRUCTIONS

Step 8

First attach 2pcs part 21 to the front and end of the frame between headboard. Then attach the remaining part 21 equidistantly between headboard



Note : Do not lock the screws of the bed slats to the outermost edge of the bed slats, you need to leave a certain space at the edges, otherwise it will cause the board to break

A

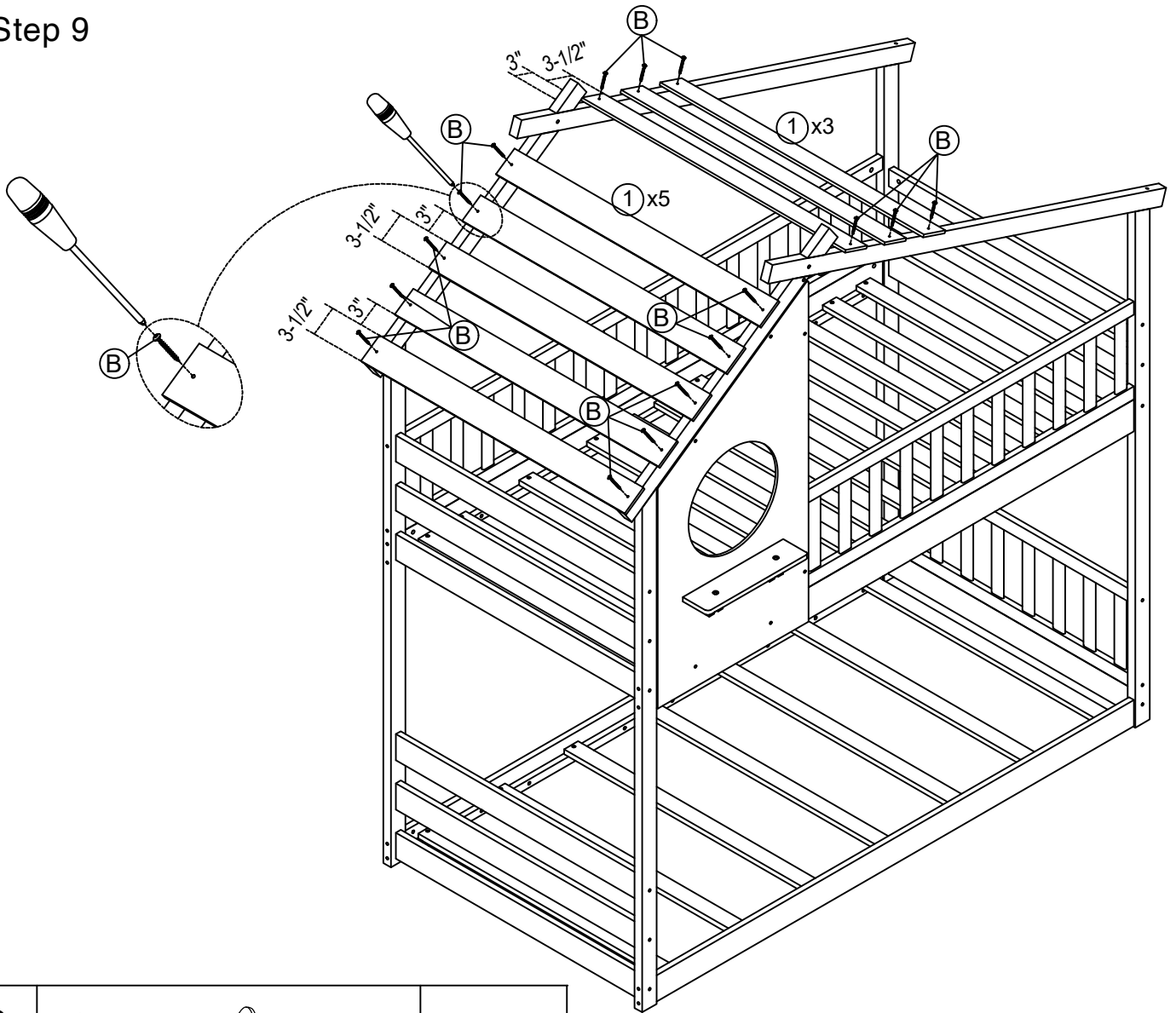
Ø4x30



42PCS

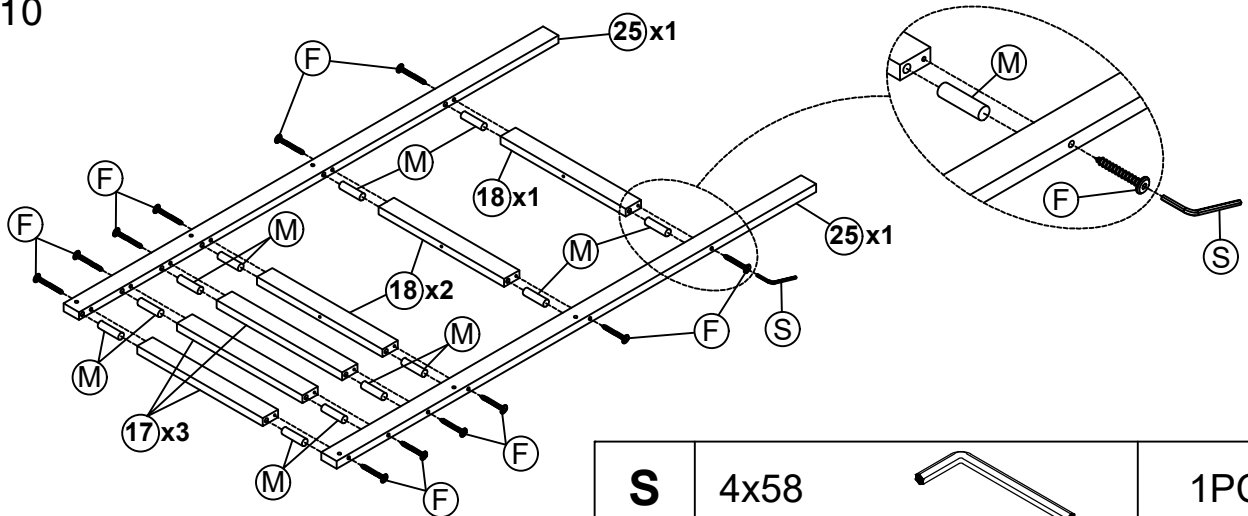
ASSEMBLY INSTRUCTIONS


Step 9




B	Ø4x25		16PCS
----------	-------	---	-------

Step 10



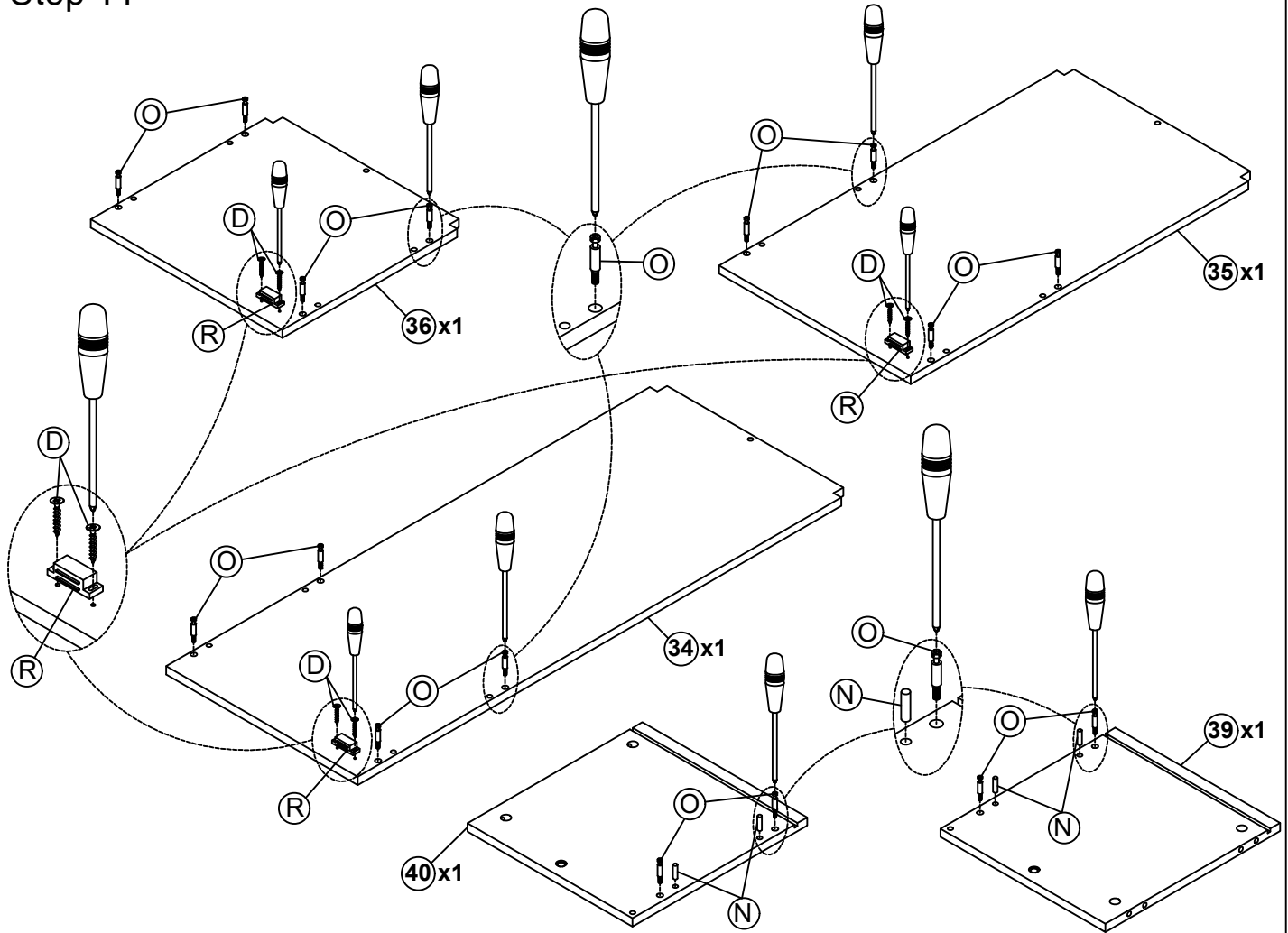
F	6.5x90		12PCS
----------	--------	---	-------

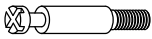

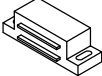

S	4x58		1PC
----------	------	---	-----

M	Ø10x40		12PCS
----------	--------	---	-------

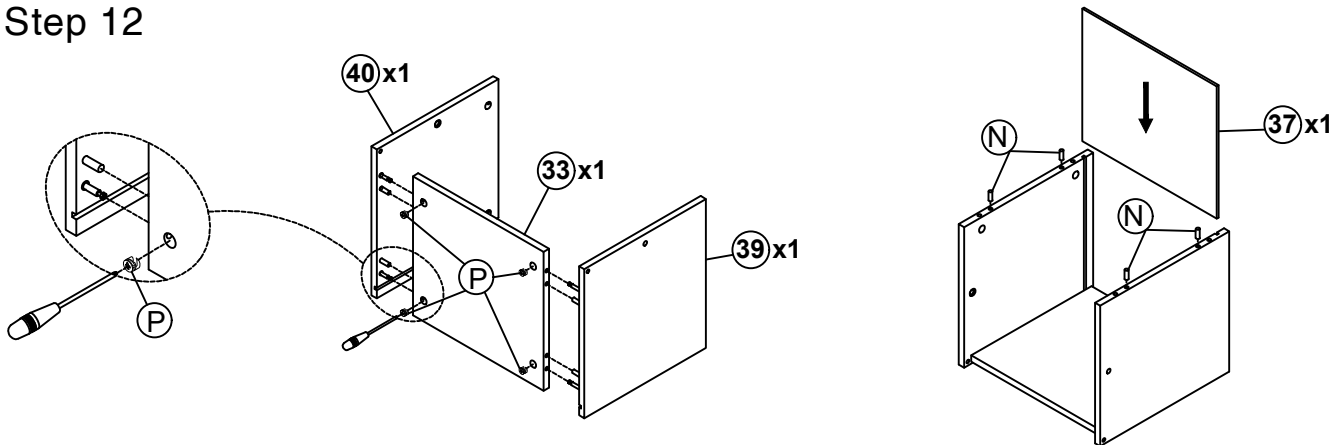
ASSEMBLY INSTRUCTIONS



Step 11



O	Ø 6.5x35		16PCS	N	Ø8x30		4PCS
R	44x17x14		3PCS	D	Ø3x15		6PCS

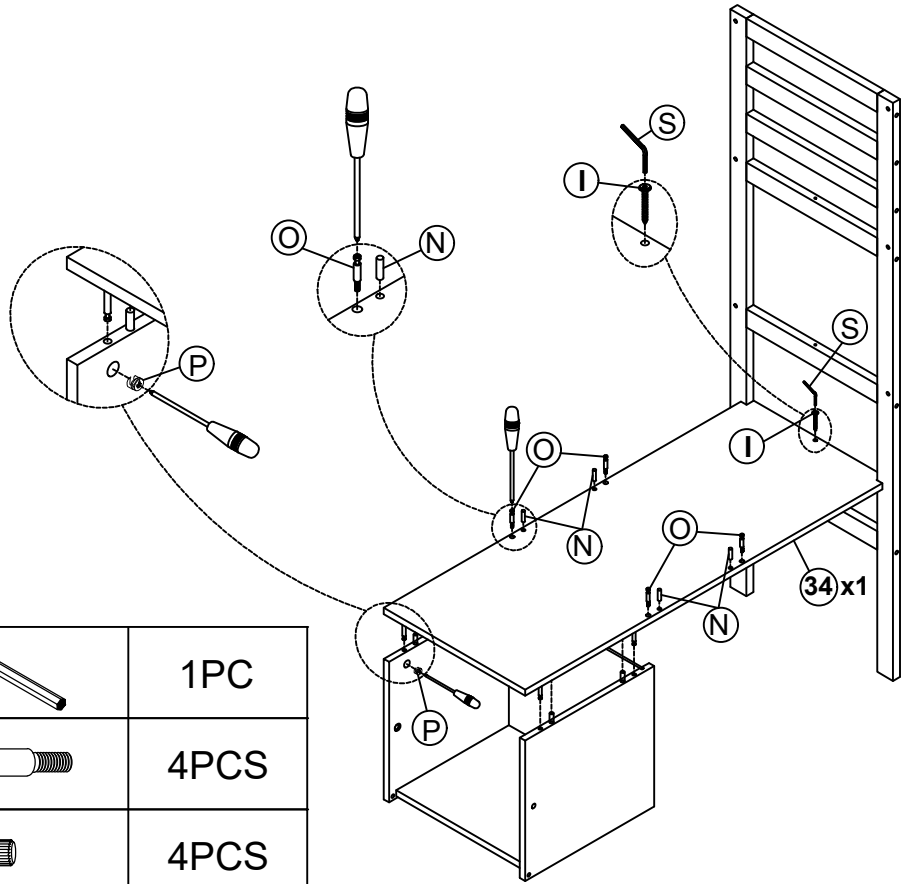
Step 12

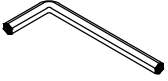
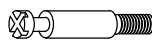





N	Ø8x30		4PCS	P	Ø15x12		4PCS
----------	-------	---	------	----------	--------	---	------

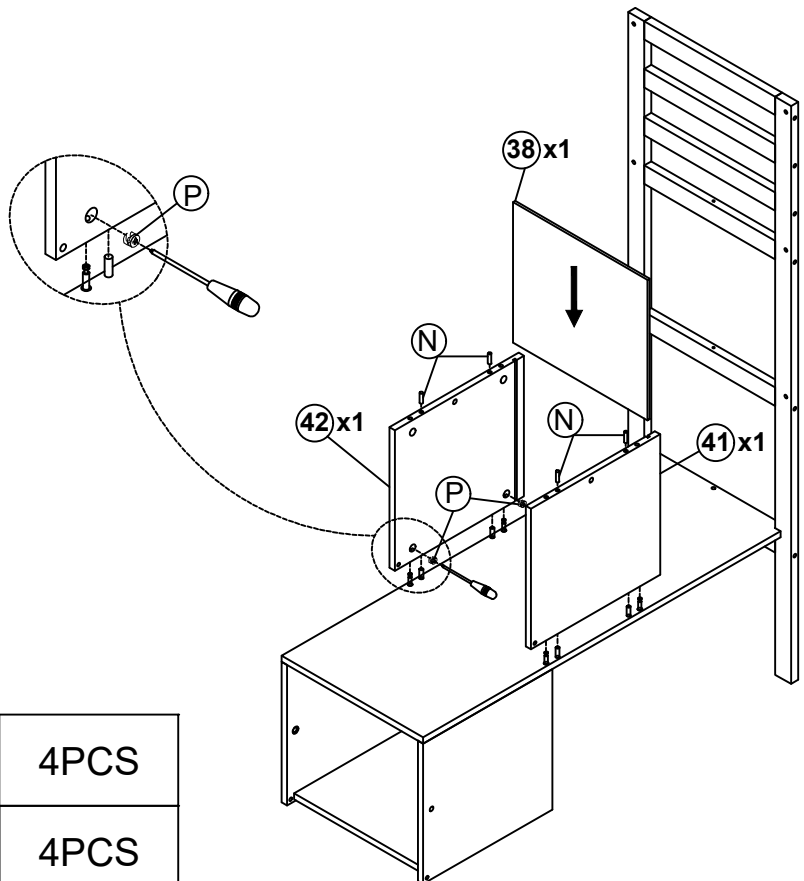
ASSEMBLY INSTRUCTIONS



Step 13



S	4x58		1PC			
O	Ø 6.5x35		4PCS			
N	Ø8x30		4PCS			
P	Ø15x12		4PCS	I	6.5x40	
						1PC

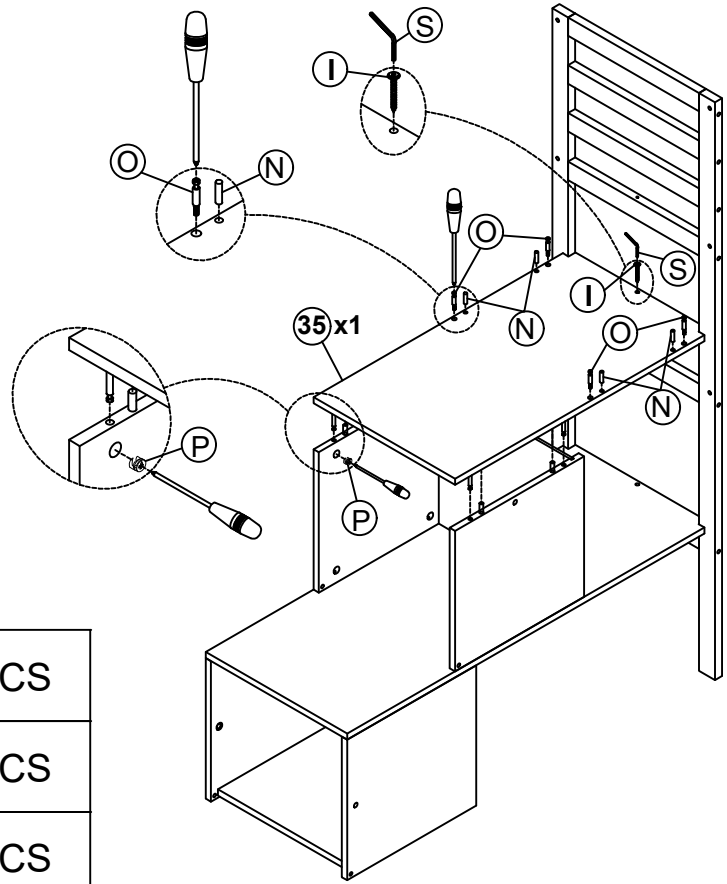
Step 14


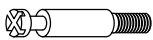





N	Ø8x30		4PCS
P	Ø15x12		4PCS

ASSEMBLY INSTRUCTIONS

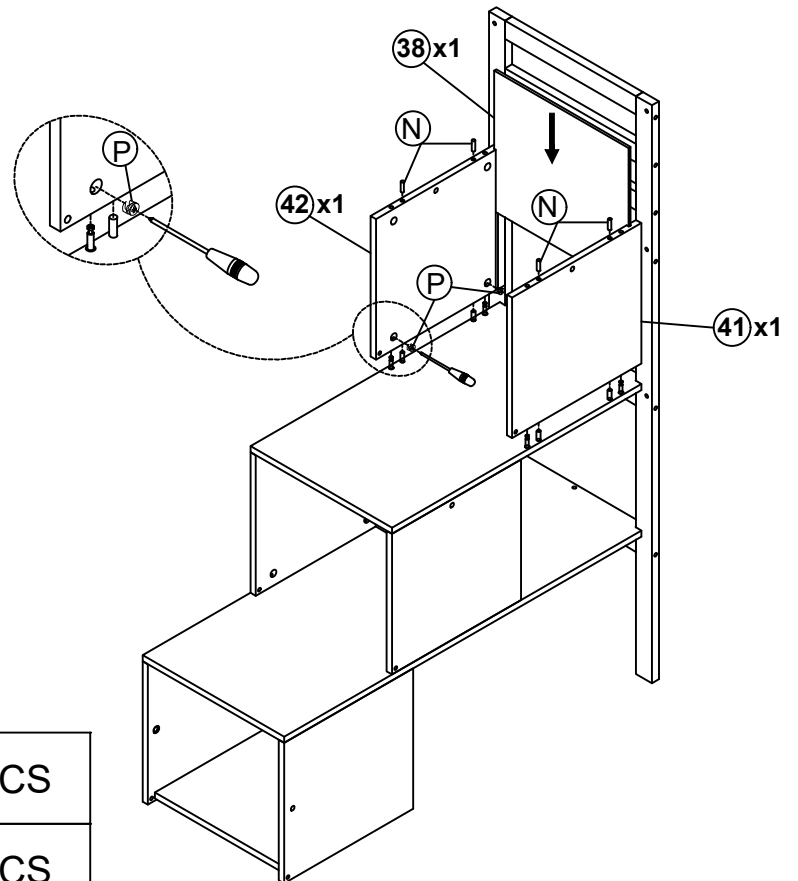
Step 15





N	Ø8x30		4PCS
O	Ø 6.5x35		4PCS
P	Ø15x12		4PCS
S	4x58		1PC

I	6.5x40		1PC
----------	--------	---	-----

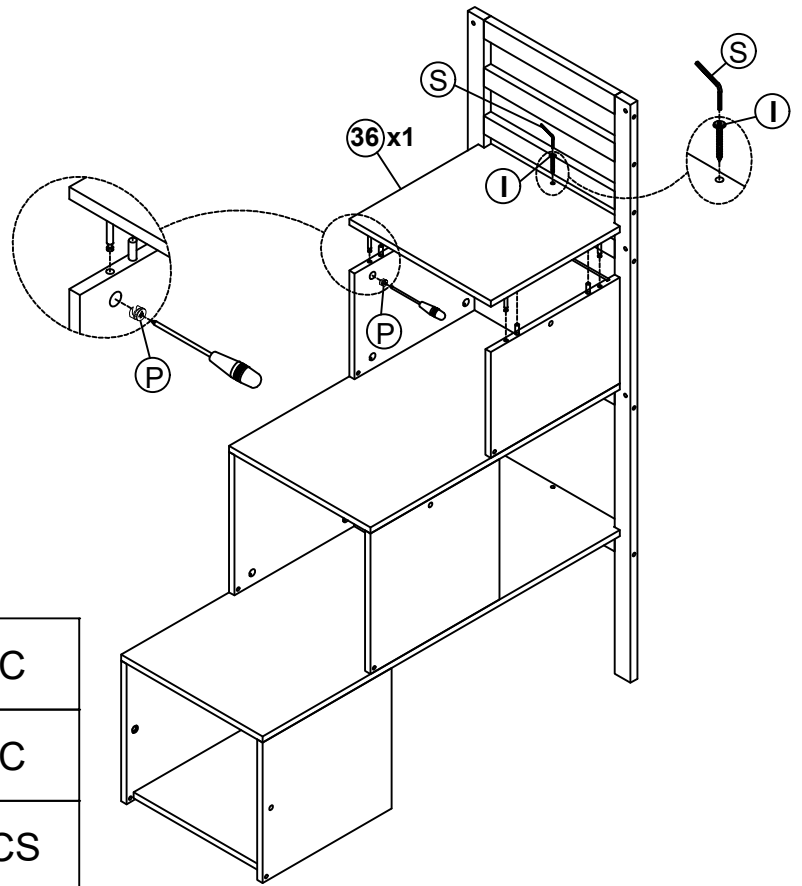
Step 16






N	Ø8x30		4PCS
P	Ø15x12		4PCS

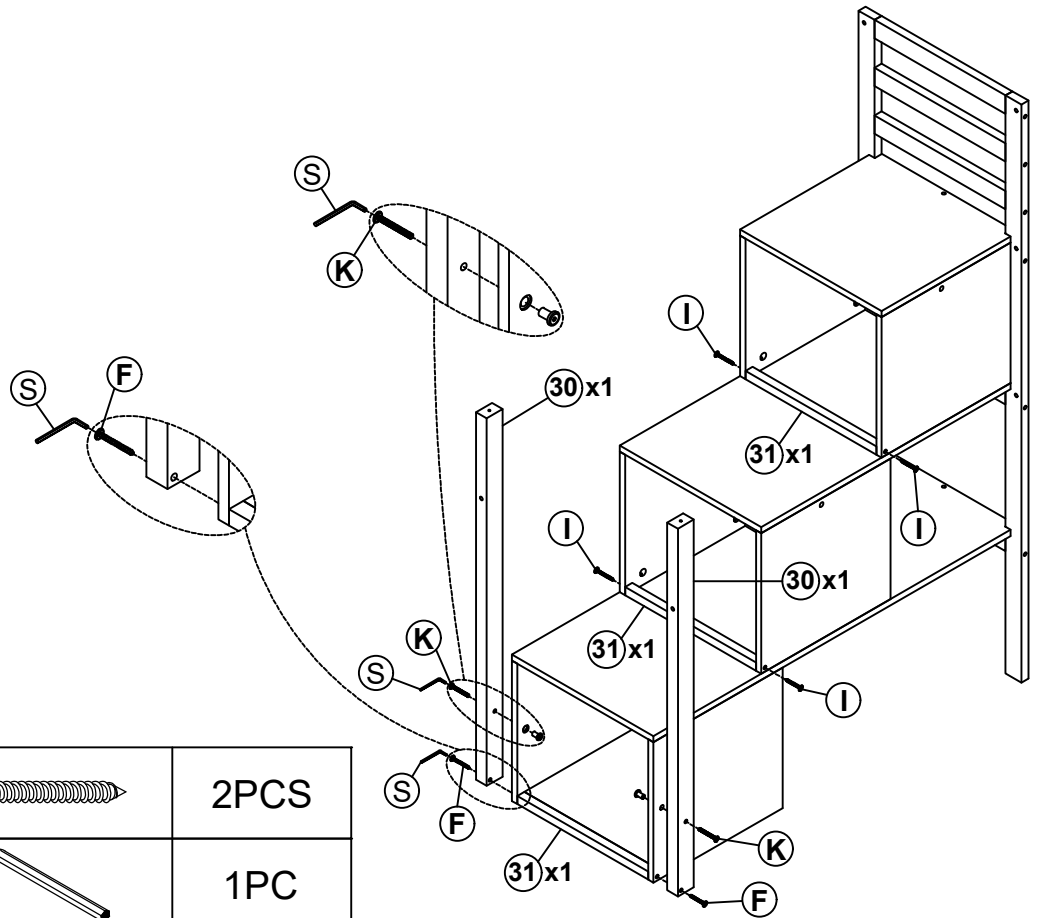
ASSEMBLY INSTRUCTIONS




Step 17




I	6.5x40		1PC
S	4x58		1PC
P	Ø15x12		4PCS

Step 18

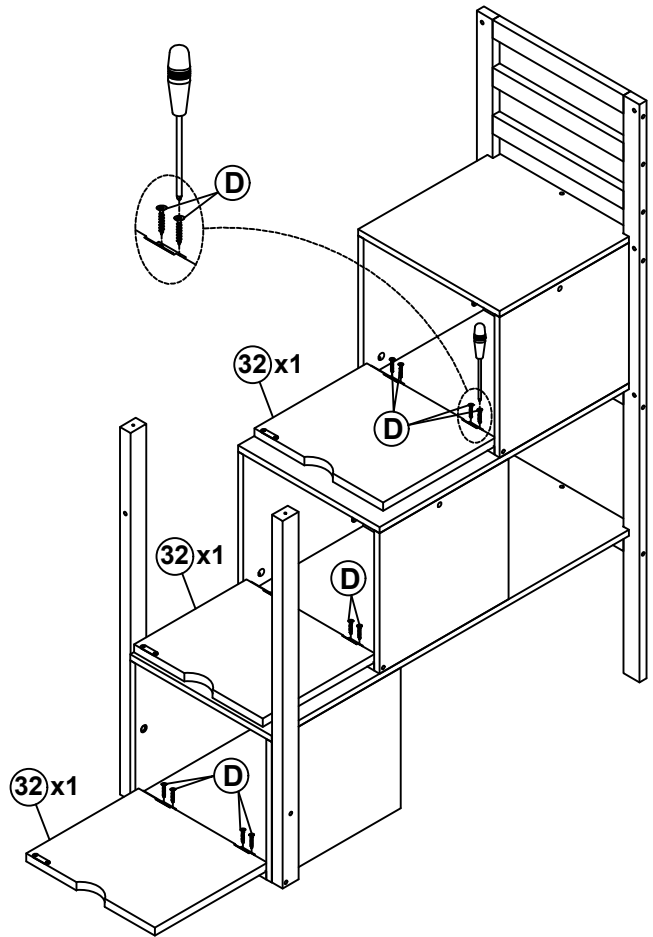


F	6.5x90		2PCS
S	4x58		1PC
K	1/4x40		2PCS

I	6.5x40		4PC
----------	--------	---	-----

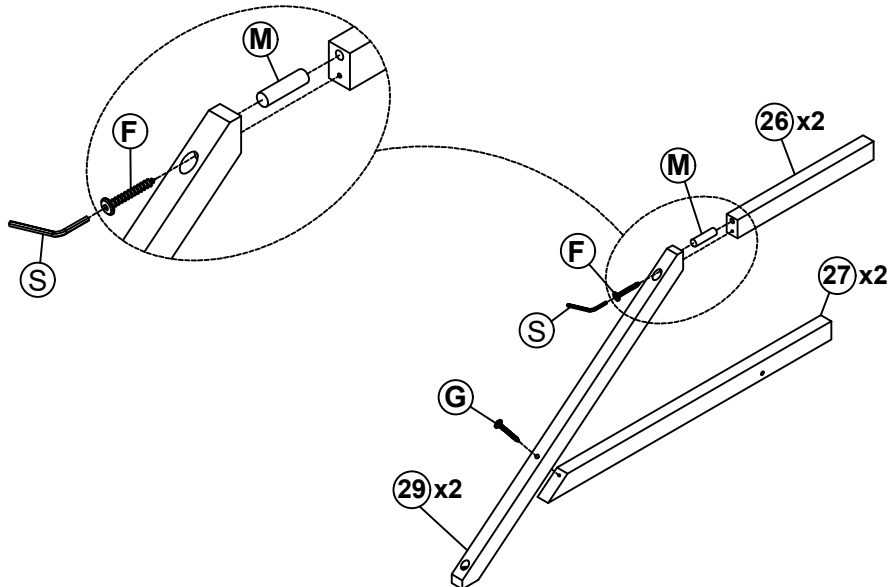
ASSEMBLY INSTRUCTIONS


Step 19





D	Ø3x15		12PCS
----------	-------	---	-------

Step 20



F	6.5x90		2PCS
----------	--------	---	------

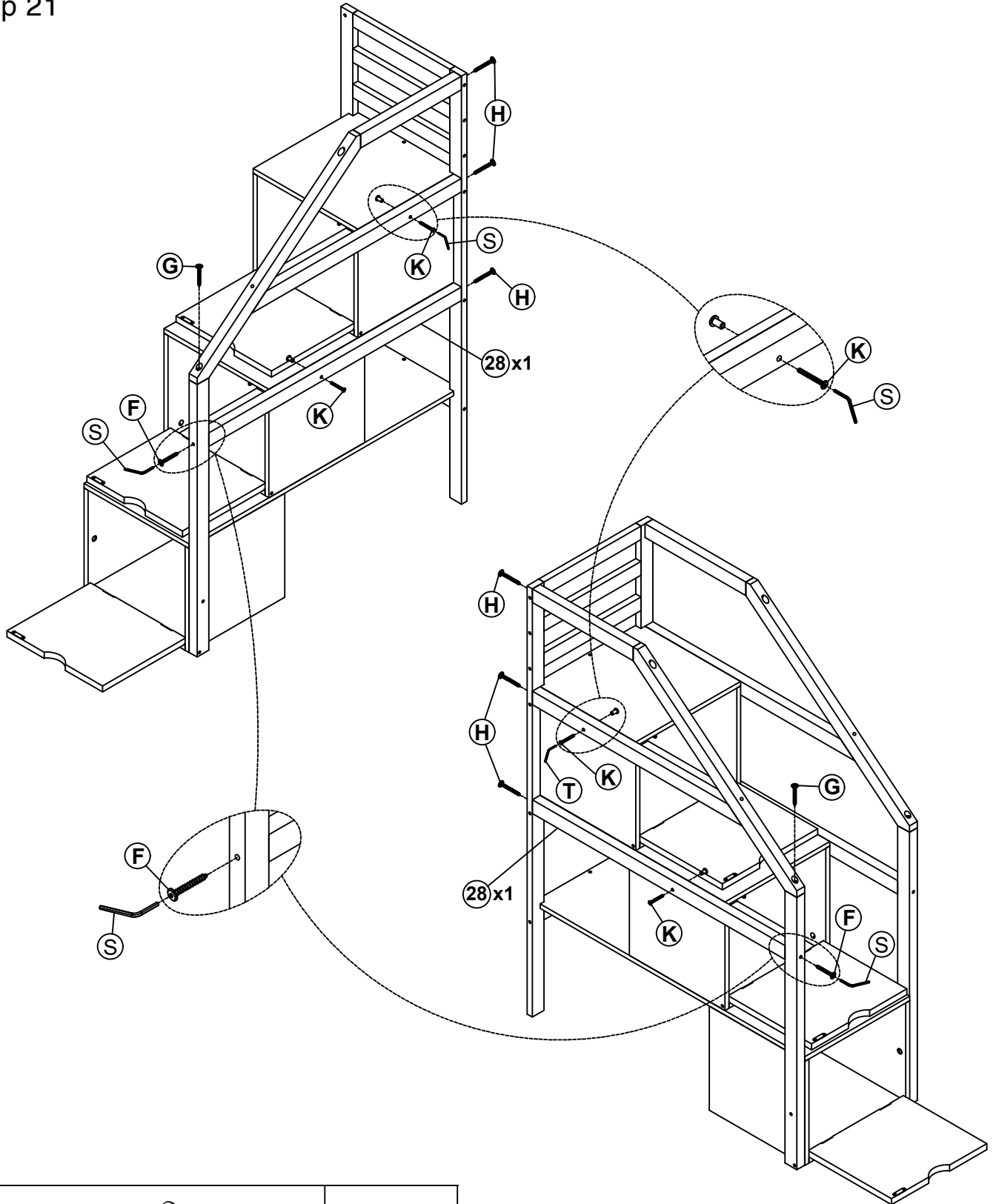
G	6.5x80		2PCS
----------	--------	---	------






S	4x58		1PC
----------	------	---	-----

M	Ø10x40		2PCS
----------	--------	---	------

ASSEMBLY INSTRUCTIONS

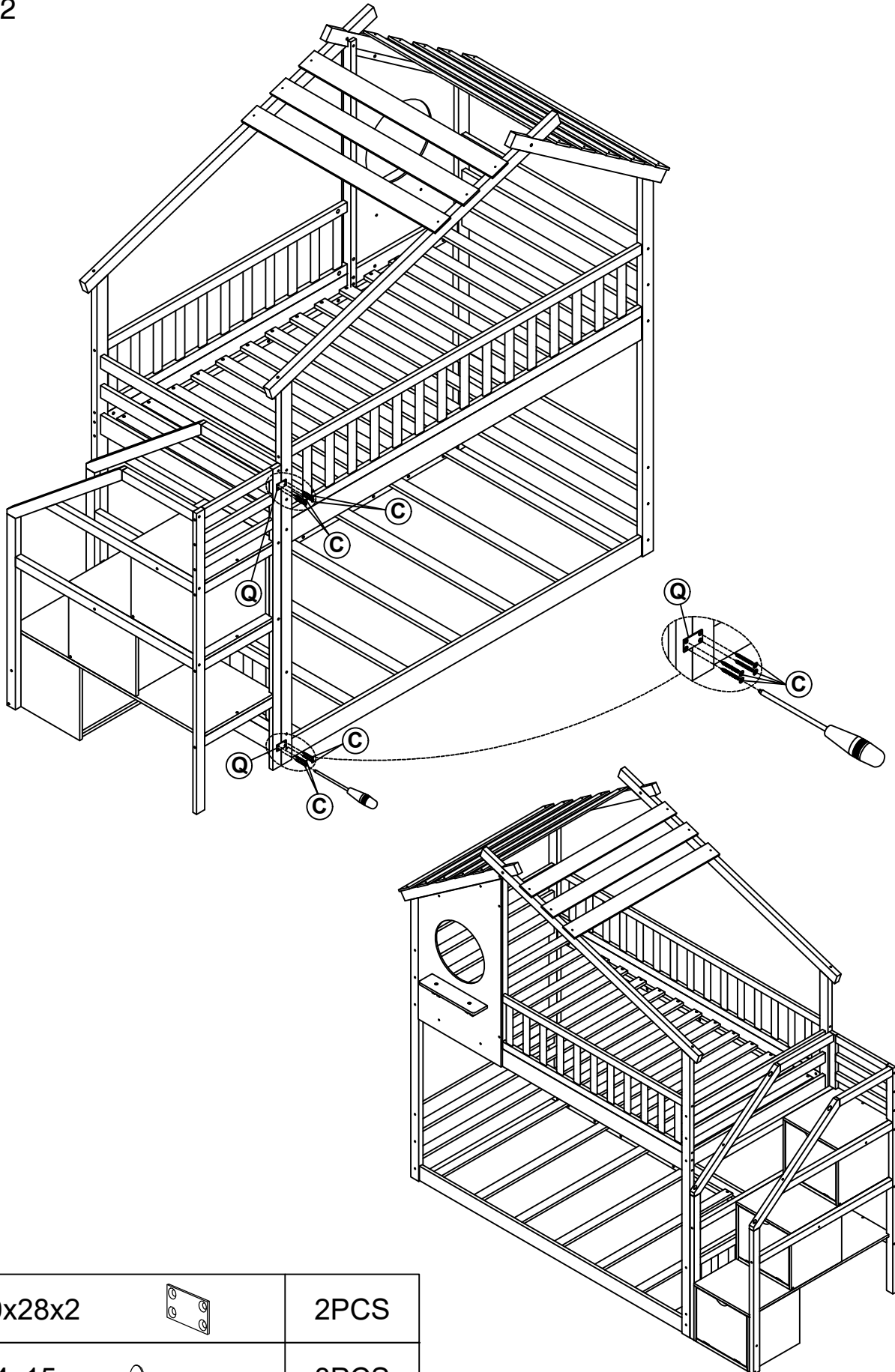
Step 21



F	6.5x90		2PCS				
G	6.5x80		2PCS	K	1/4x40		4PCS
H	6.5x60		6PCS	S	4x58		1PC

ASSEMBLY INSTRUCTIONS

Step 22



Q 50x28x2  2PCS

C Ø4x15  8PCS