

# ASSEMBLE INSTRUCTION

A x 3pcs



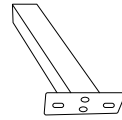
LEGS1

B x 1pc



BACK&SEAT

C x 2pcs



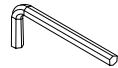
LEGS

D x 4pcs

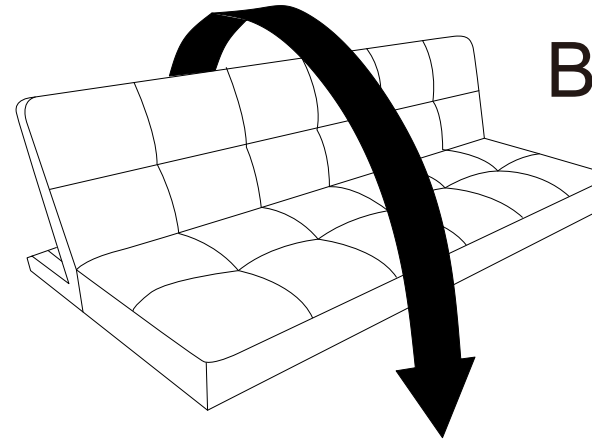


M8 x 18mm

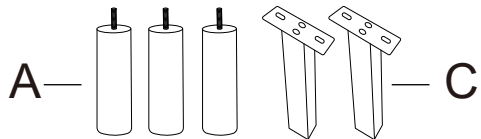
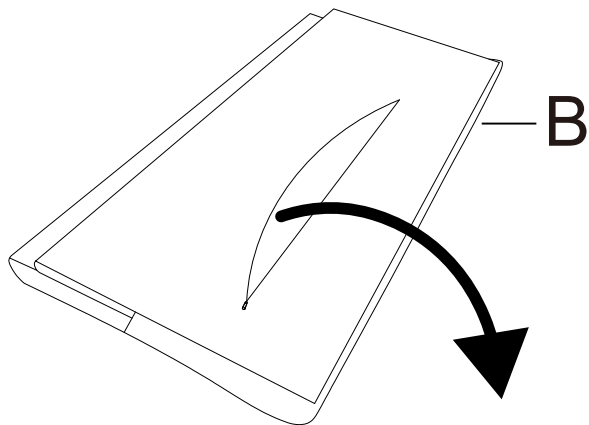
E x 1pc



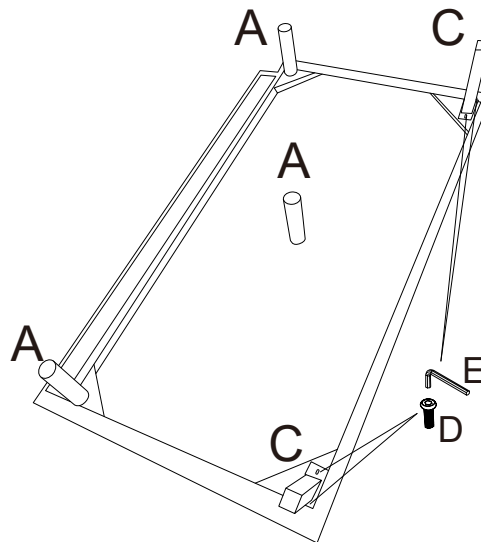
STEP 1:



STEP 2:



STEP 3:



STEP 4:

