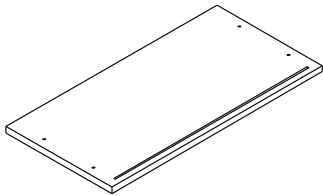
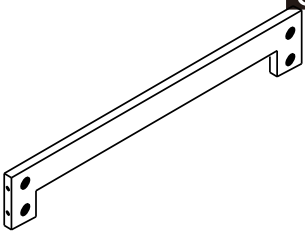
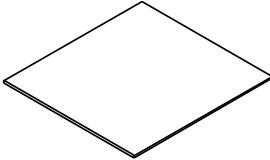
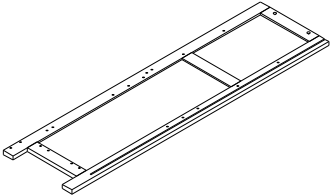
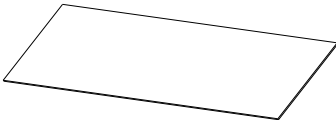
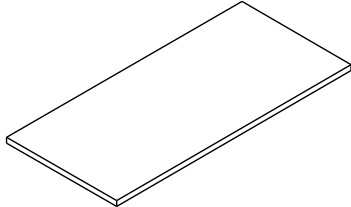
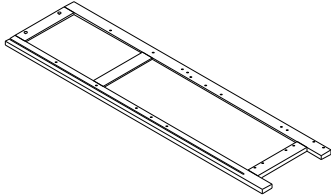
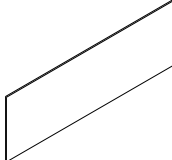
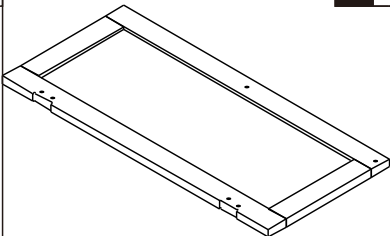
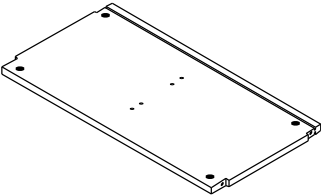
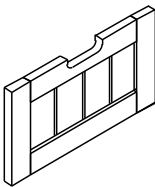
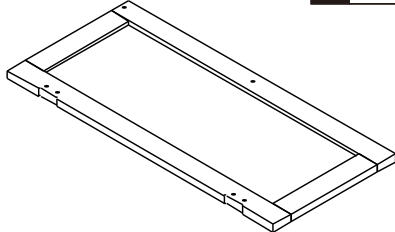
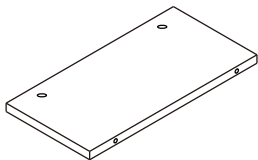
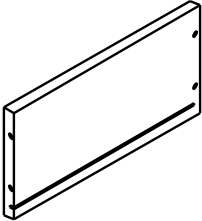
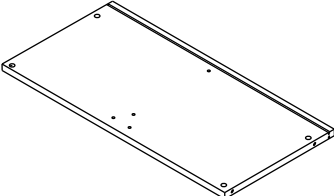
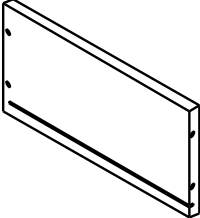
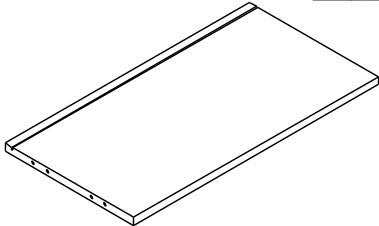
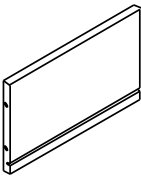
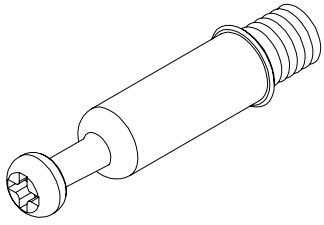
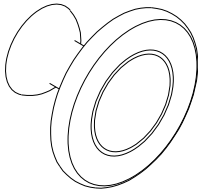
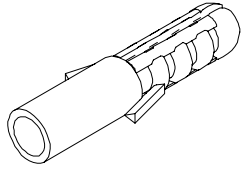
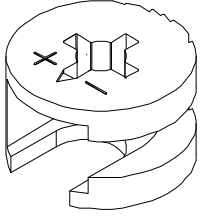
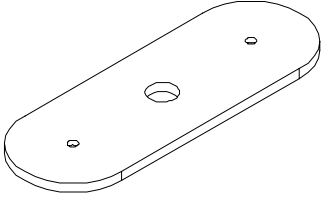

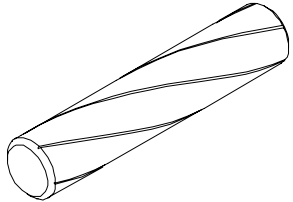
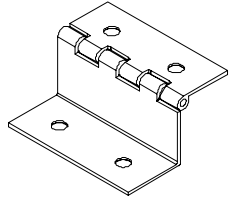
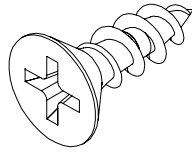
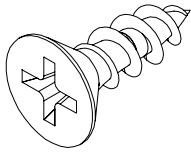
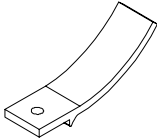
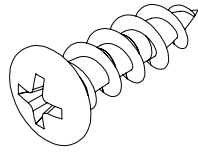
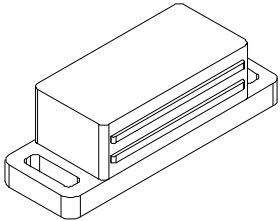
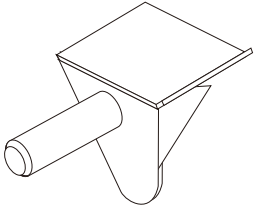
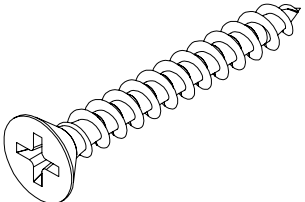
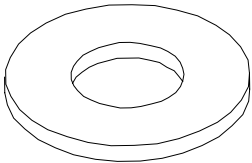
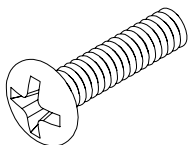
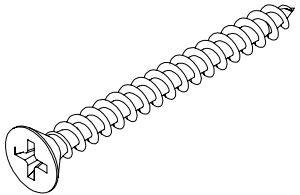


READ AND SAVE THIS INSTRUCTION FOR FUTURE USE

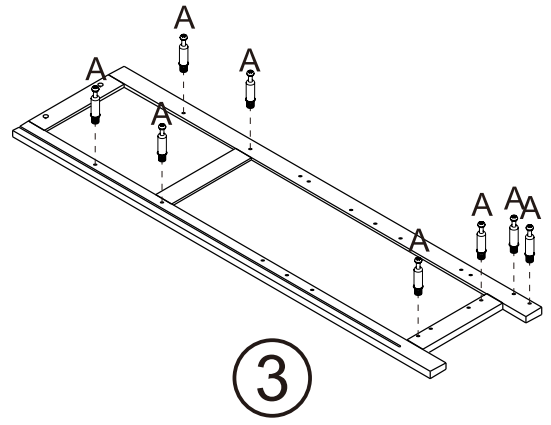
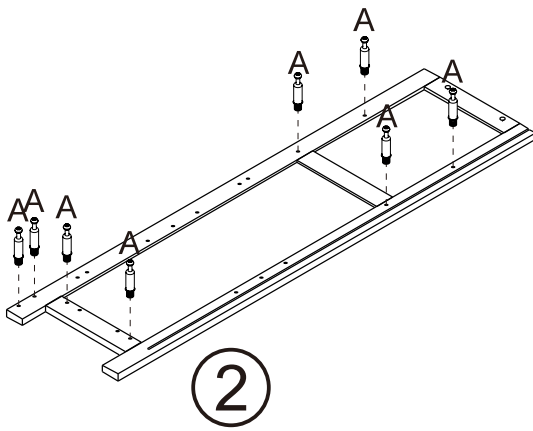
ASSEMBLY INSTRUCTION

 <p>1 x 1</p>	 <p>8 x 1</p>	 <p>15 x 2</p>
 <p>2 x 1</p>	 <p>9 x 2</p>	 <p>16 x 1</p>
 <p>3 x 1</p>	 <p>10 x 2</p>	 <p>17 x 1</p>
 <p>4 x 1</p>	 <p>11 x 2</p>	 <p>18 x 1</p>
 <p>5 x 1</p>	 <p>12 x 2</p>	
 <p>6 x 1</p>	 <p>13 x 2</p>	
 <p>7 x 1</p>	 <p>14 x 2</p>	

<p>A x30</p> 	<p>H x 2</p> 	<p>R x 1</p> 
<p>B x30</p> 	<p>I x 2</p> 	<p>S x 1</p> 
<p>C x12</p> 	<p>J x 4</p> 	<p>T x 2</p> 
<p>D x20</p> 	<p>K x 2</p> 	<p>U x 1</p> 
<p>E x 1</p> 	<p>O x 4</p> 	
<p>F x10</p> 	<p>P x 2</p> 	
<p>G x 2</p> 	<p>Q x 1</p> 	

A x16

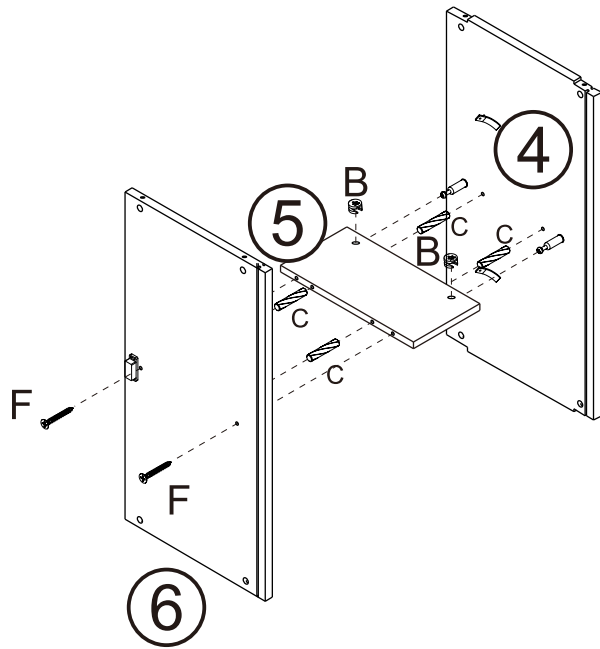
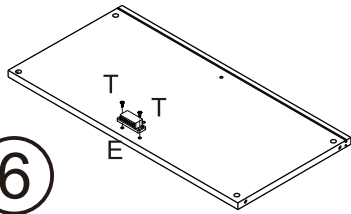
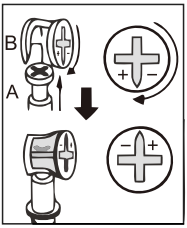
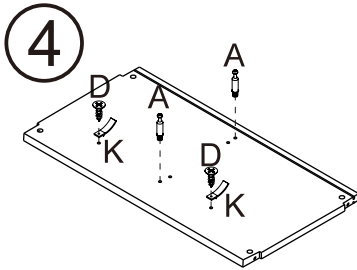
01



A x 2
B x 2
F x 2
E x 1

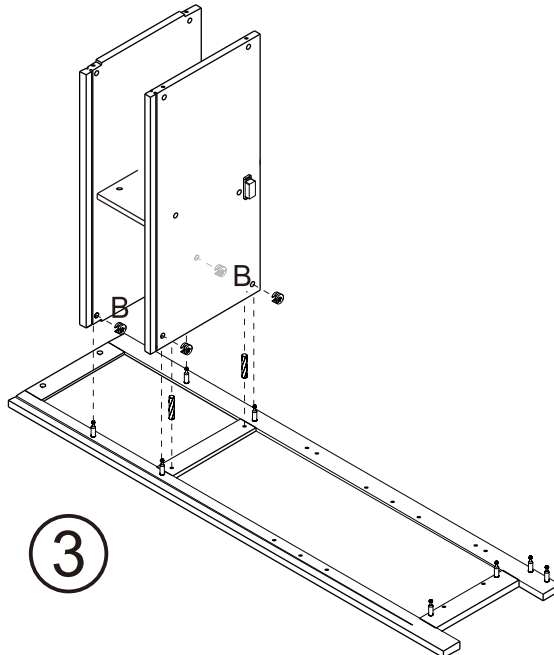
T x 2
K x 2
D x 2
C x 4

02



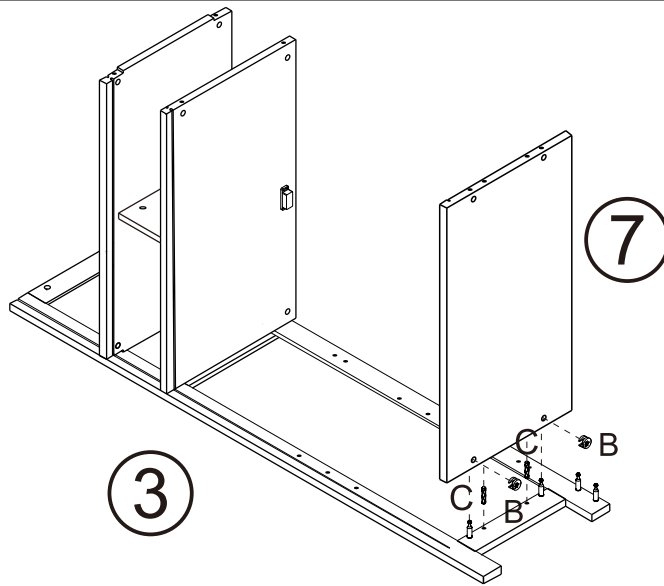
B x 4
C x 2

03



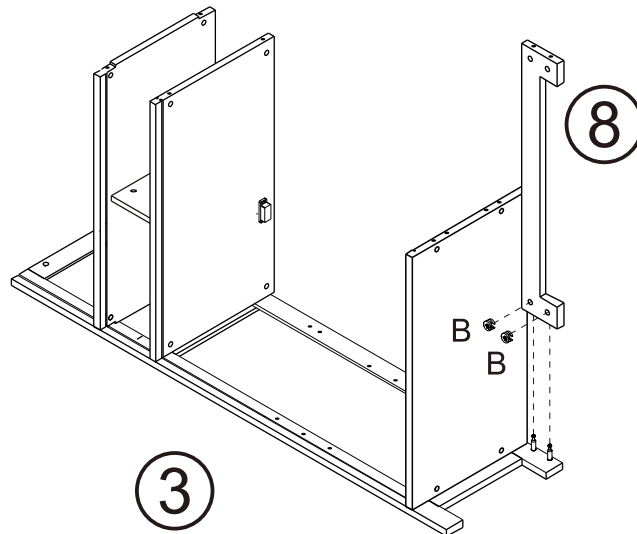
B x 2
C x 2

04



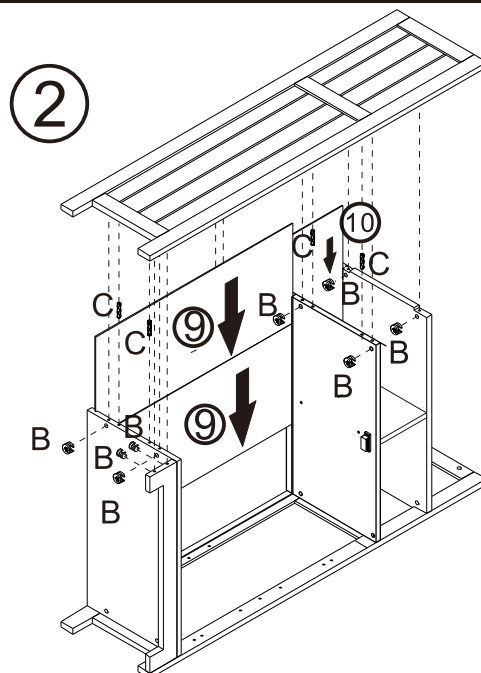
B x 2

05

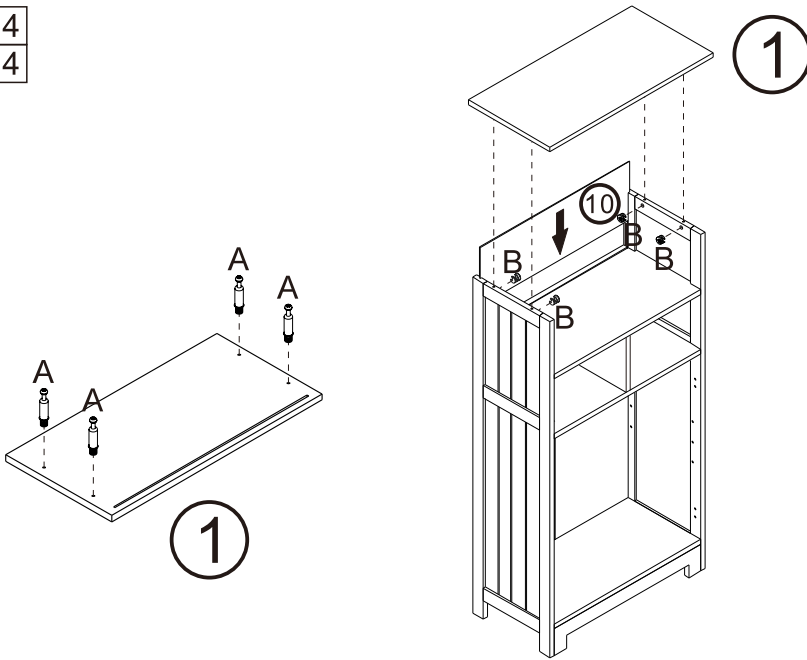


B x 8
C x 4

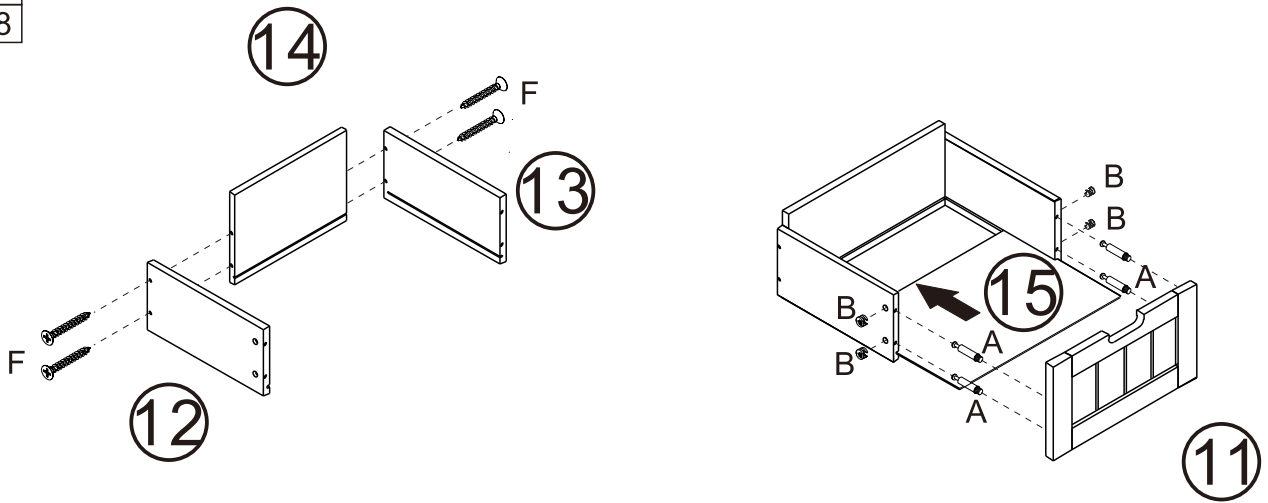
06



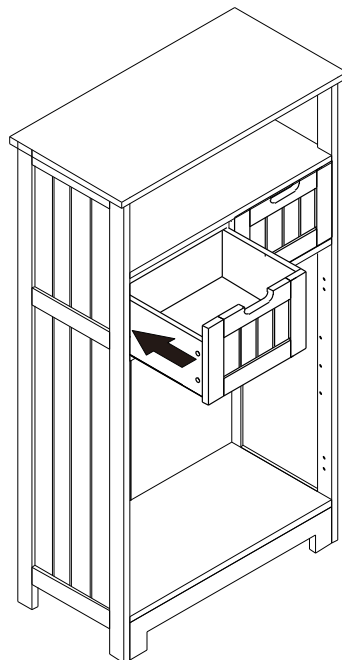
A x 4
B x 4



A x 8
B x 8
F x 8

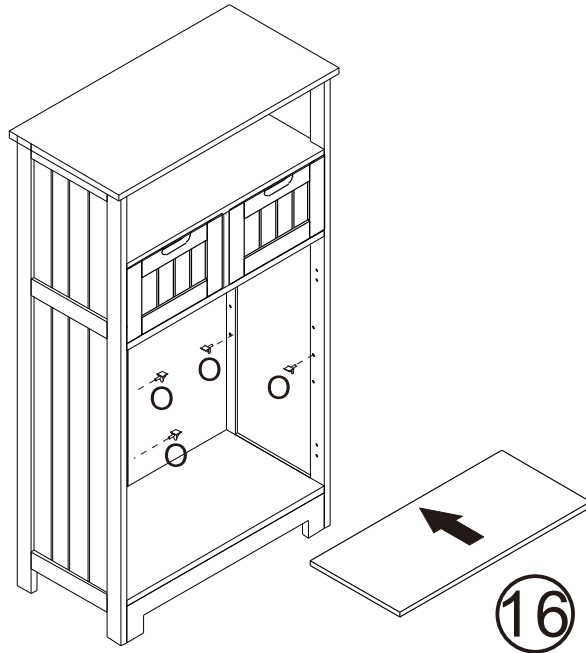


x2



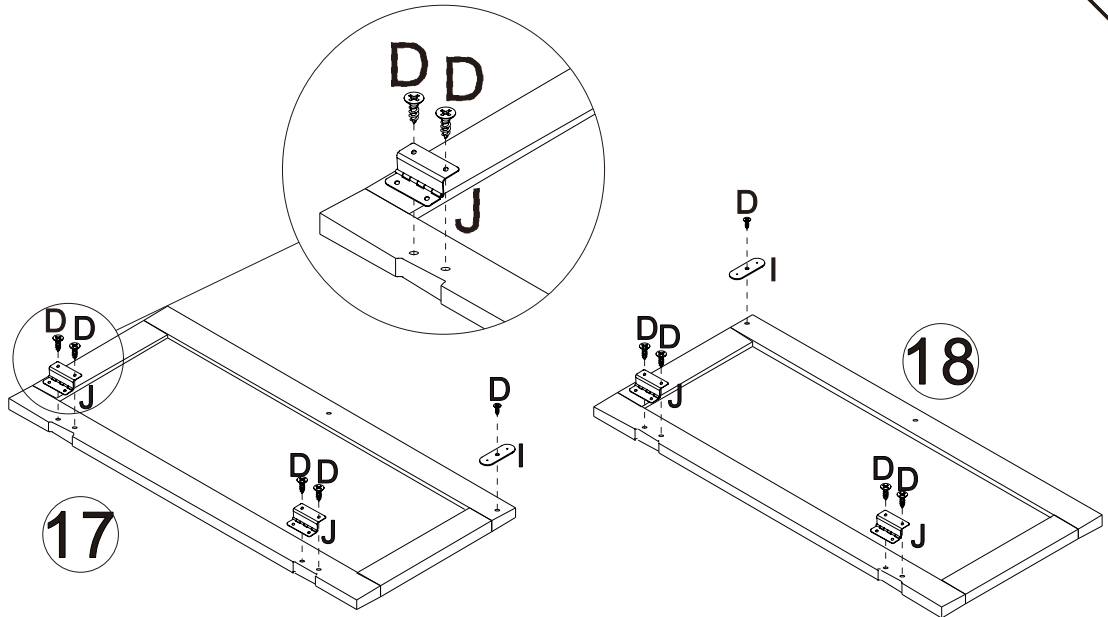
O x 4

10



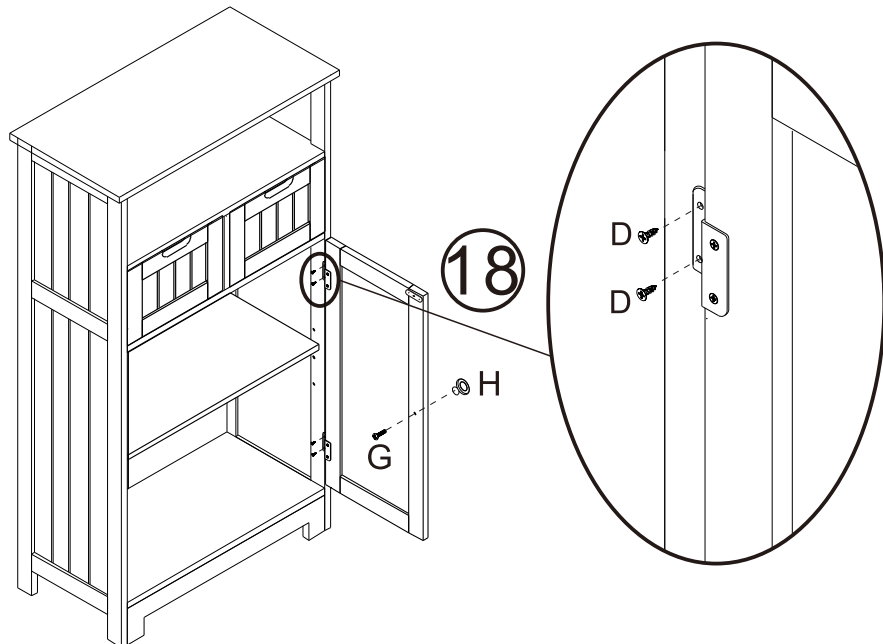
D x 10
J x 4
I x 2

11

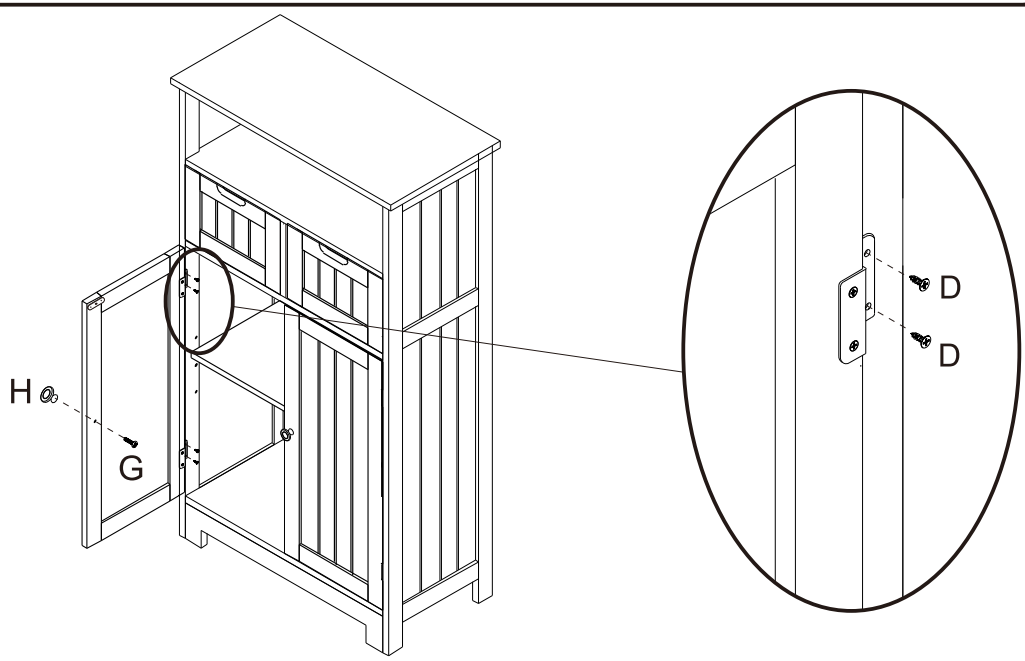


D x 4
H x 1
G x 1

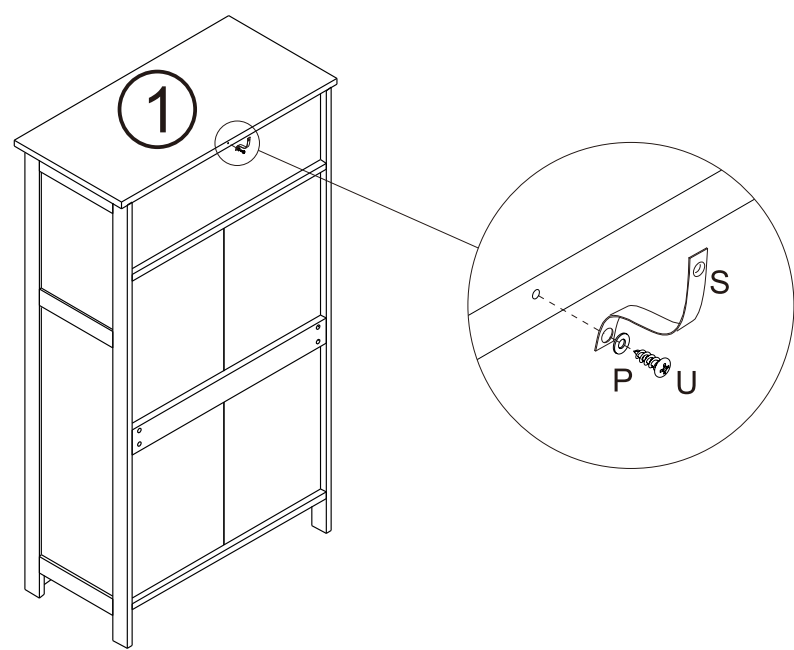
12



- D x 4
- H x 1
- G x 1



- U x 1
- P x 1
- S x 1



- Q x 1
- P x 1
- R x 1

