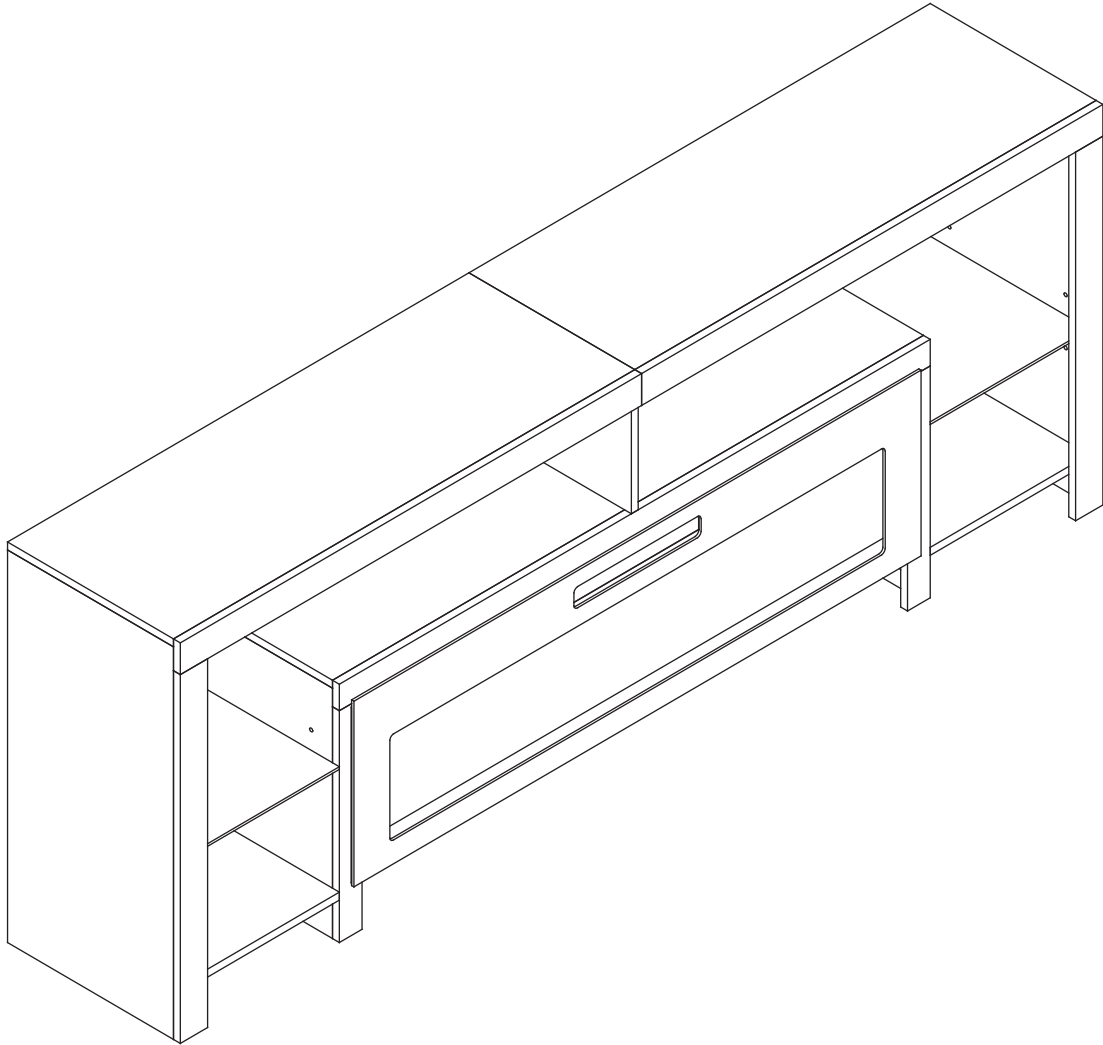


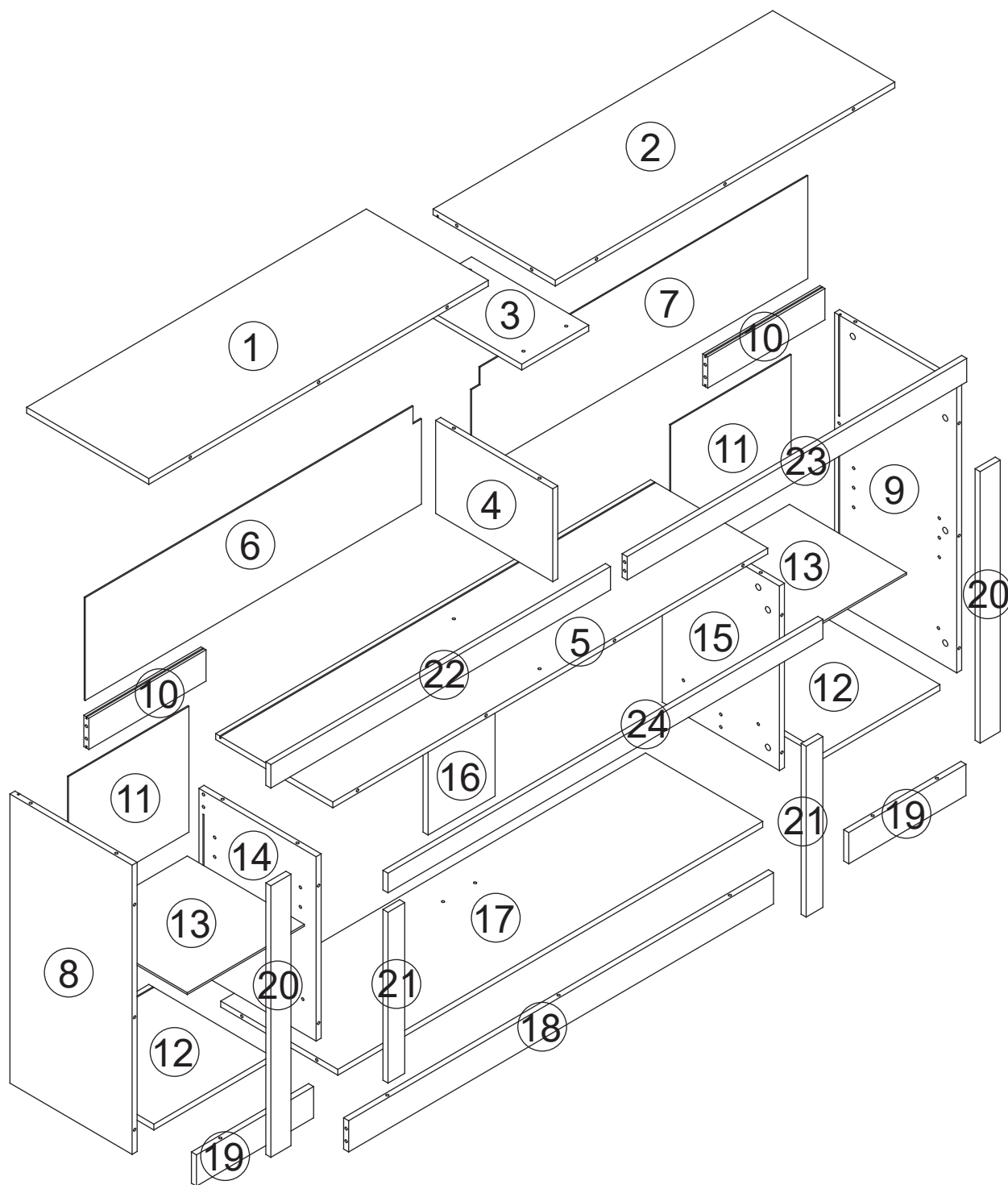
# ASSEMBLY INSTRUCTIONS



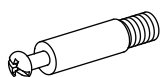
Attention: The Fireplace and TV stand come in TWO PACKAGES  
Please don't be confused if only one package was received.

**Two people needed during installation**

# Parts list



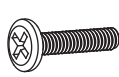
Ax67+2



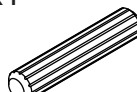
Bx73+2



Cx4



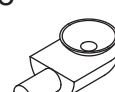
Dx1



Ex3



Fx8



Gx14



M3.5x14

Hx14

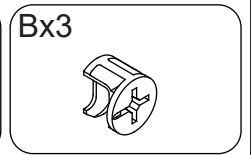
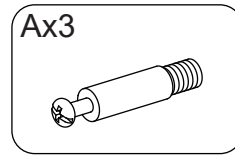
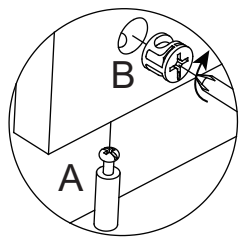
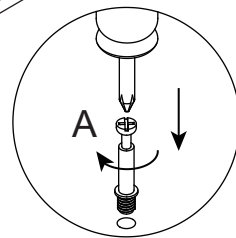
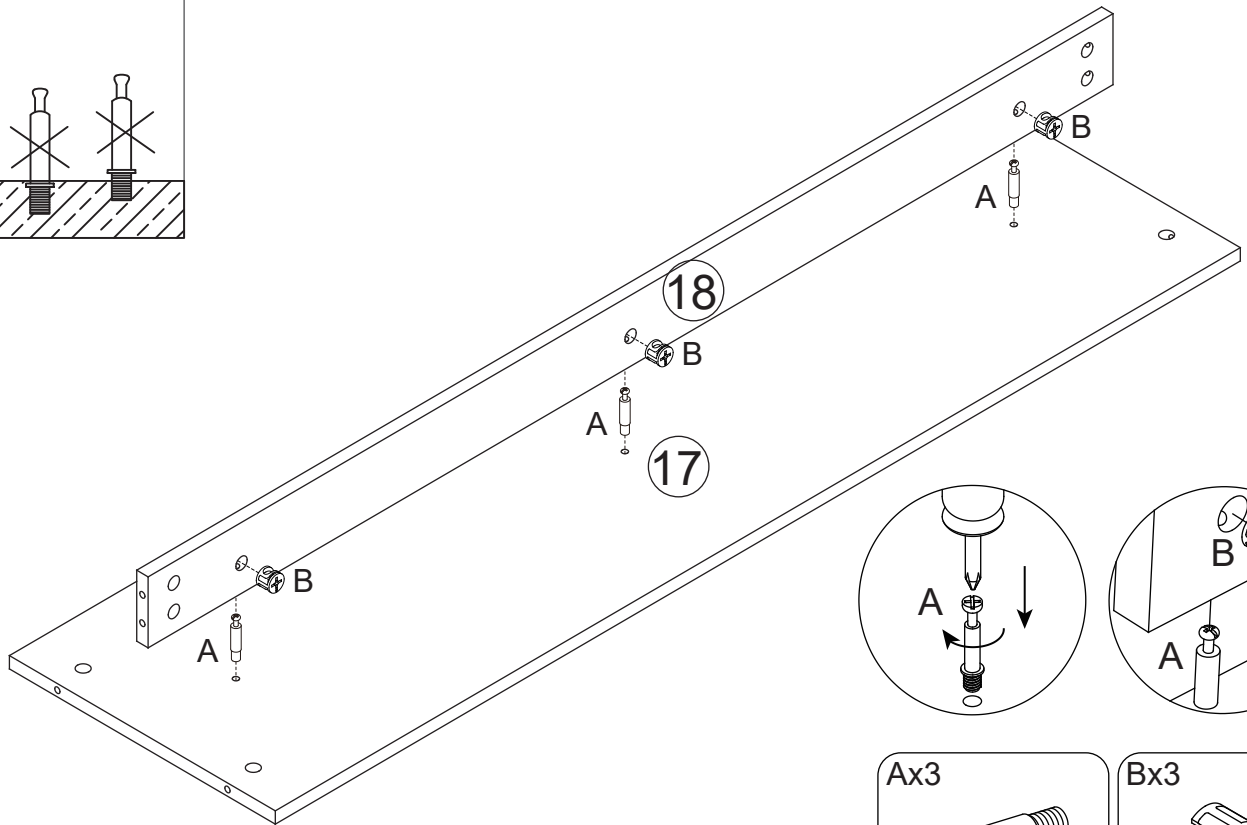
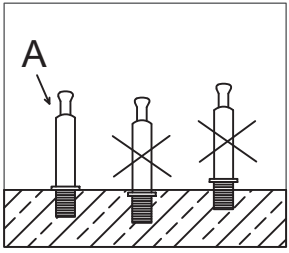


Ix1

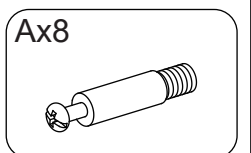
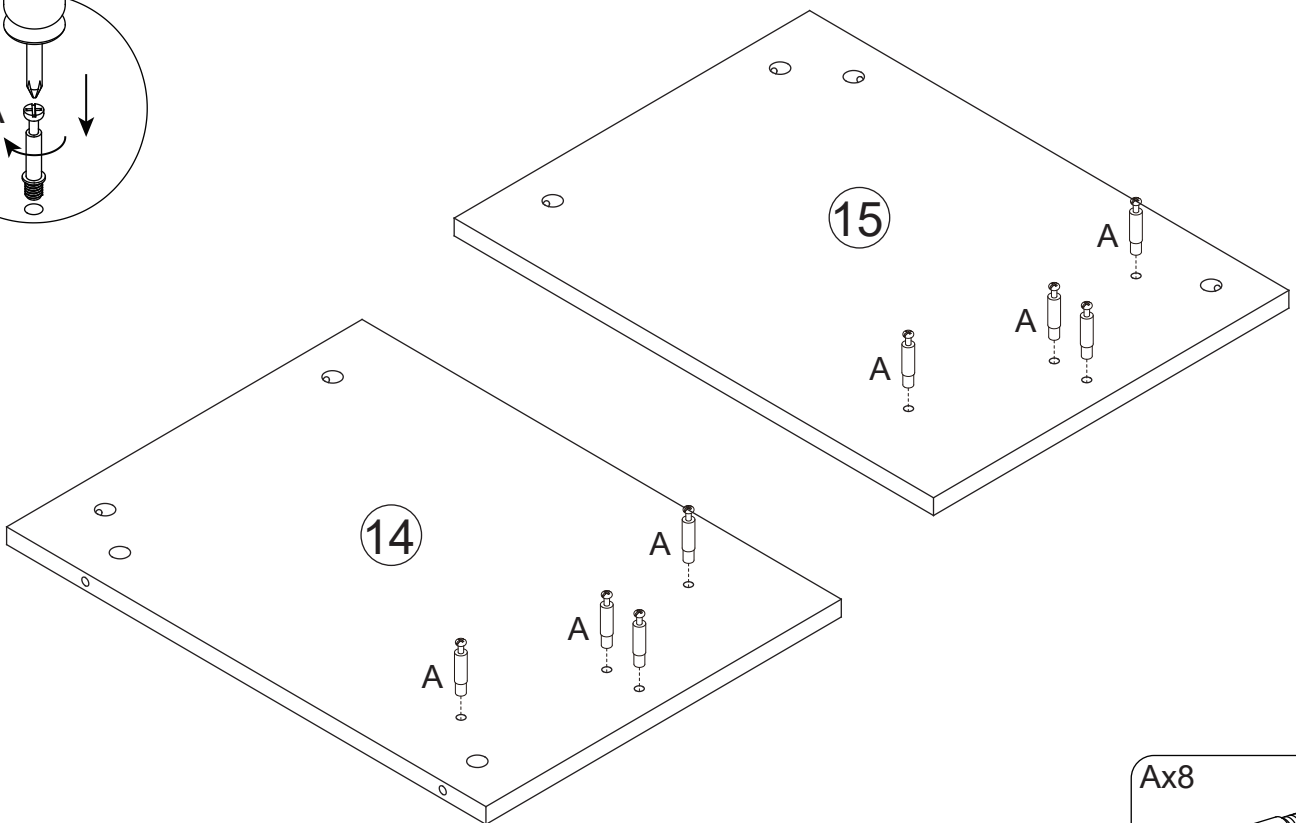
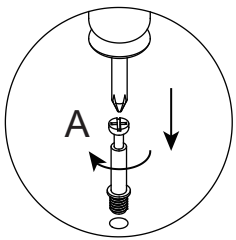


# Installation steps

## STEP 1



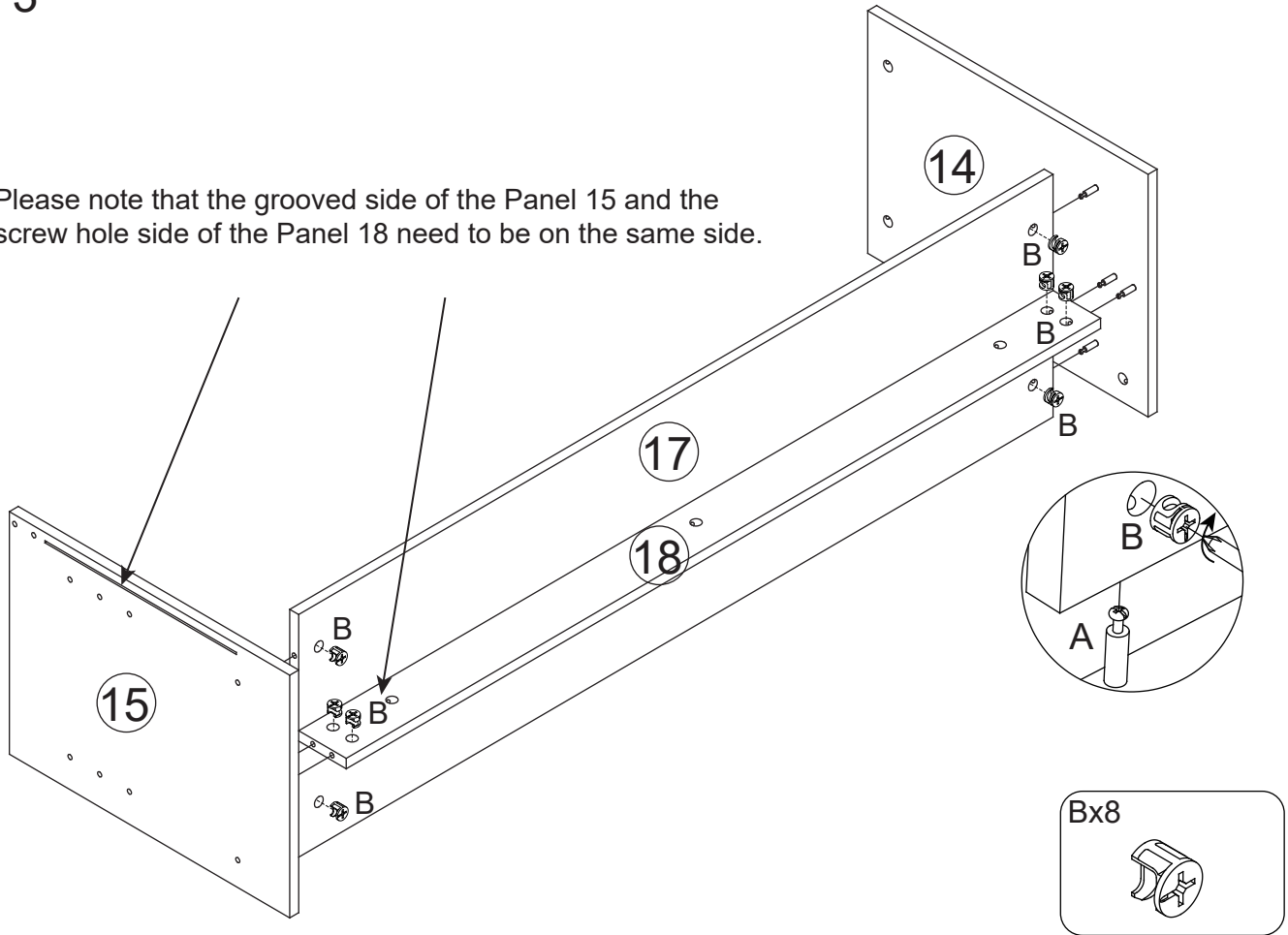
## STEP 2



# Installation steps

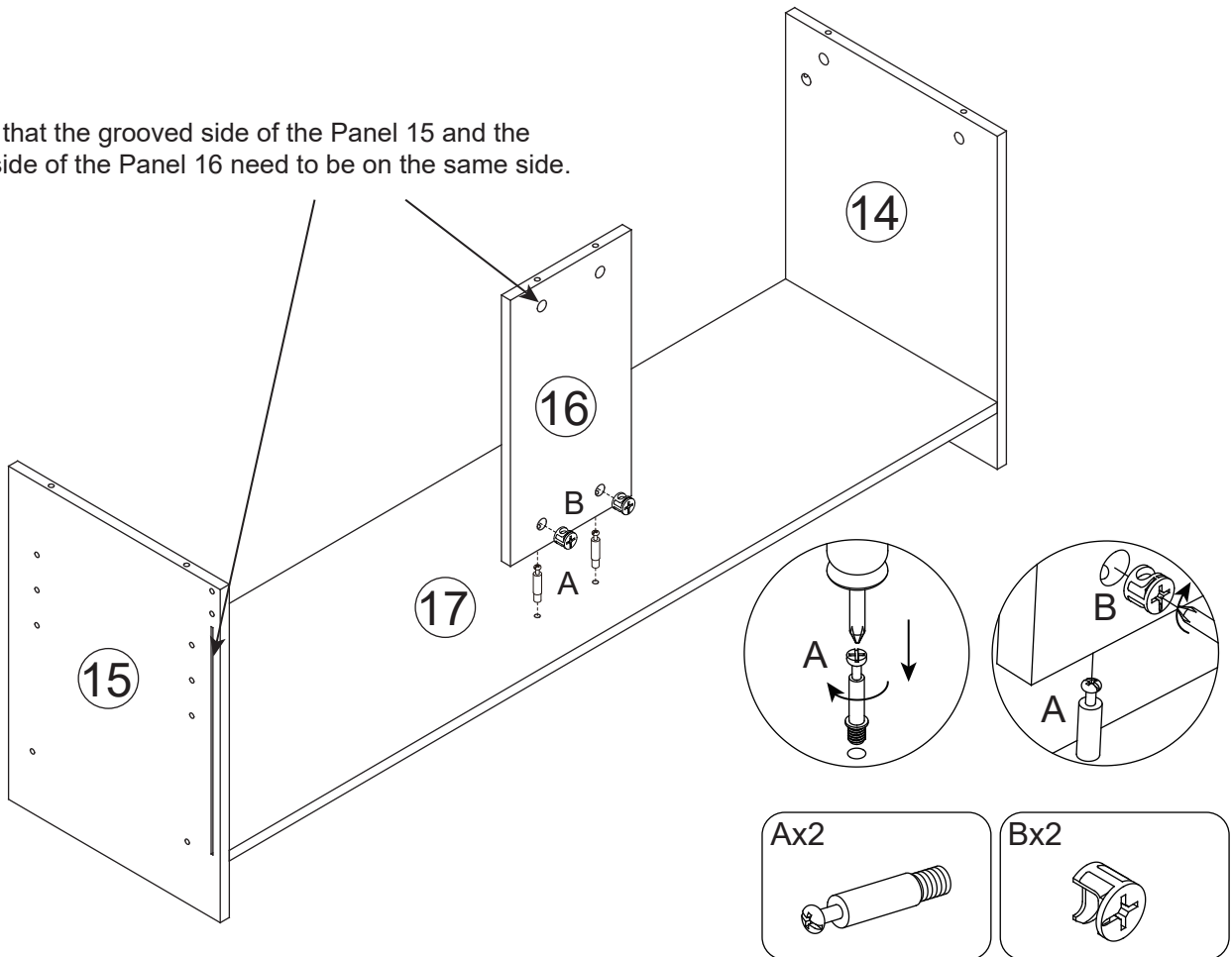
## STEP 3

Please note that the grooved side of the Panel 15 and the screw hole side of the Panel 18 need to be on the same side.



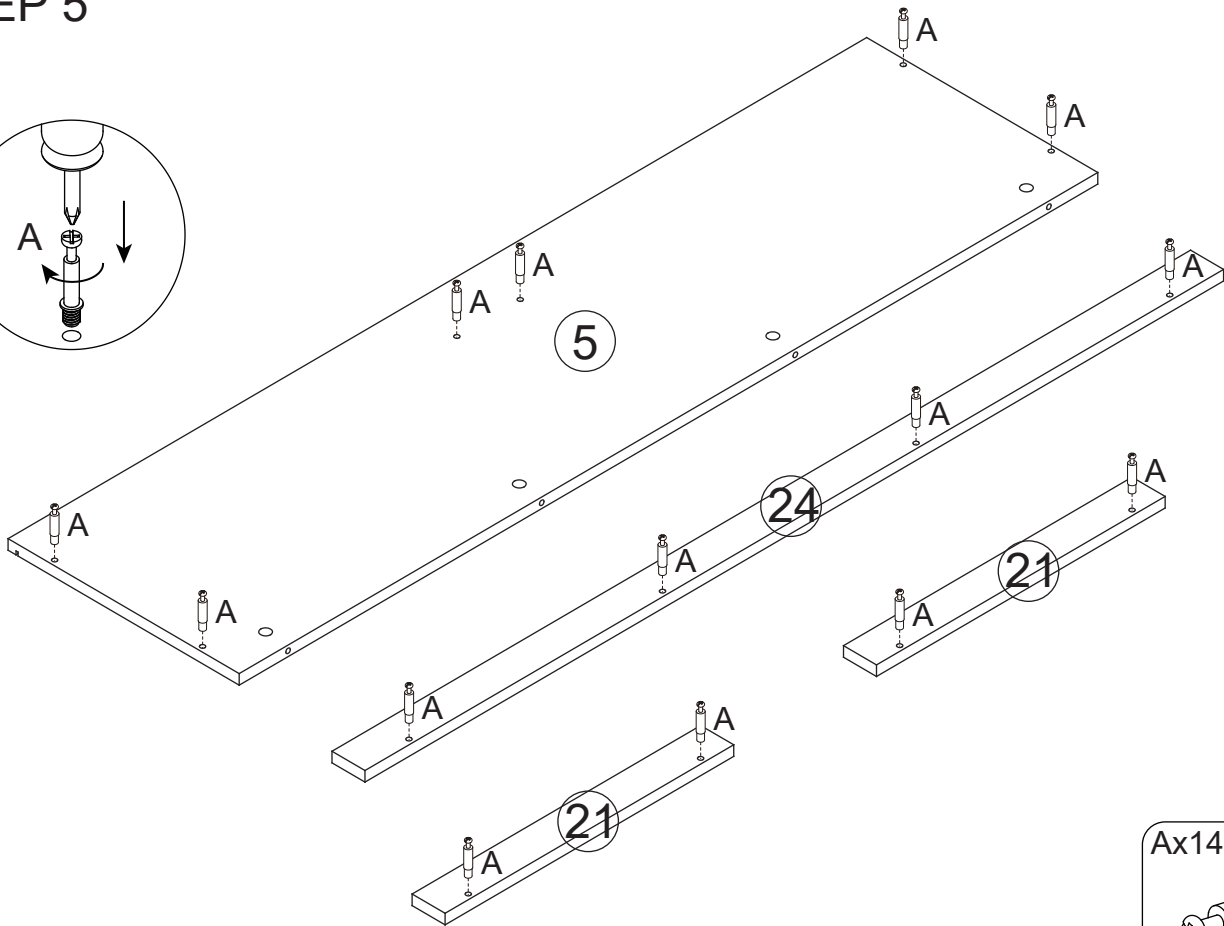
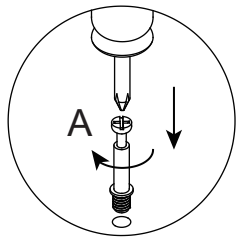
## STEP 4

Please note that the grooved side of the Panel 15 and the screw hole side of the Panel 16 need to be on the same side.

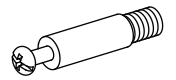


# Installation steps

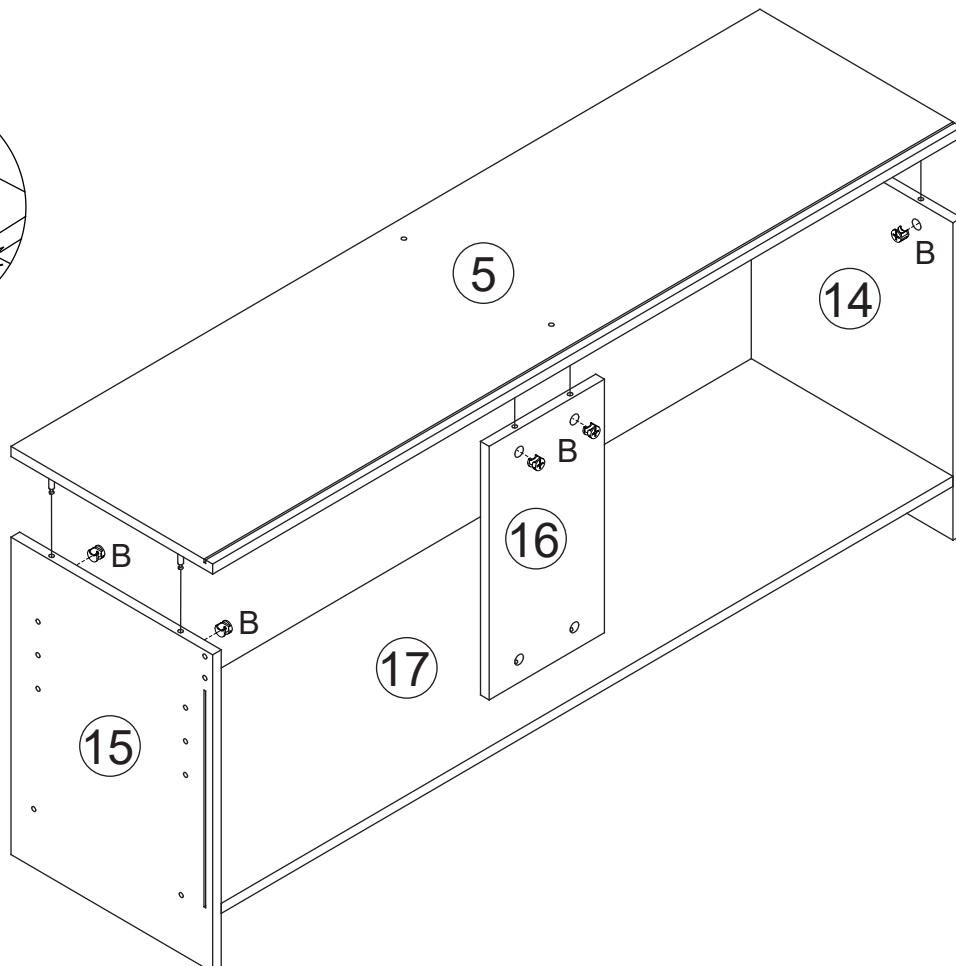
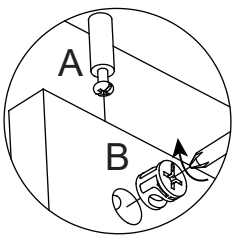
## STEP 5



Ax14



## STEP 6

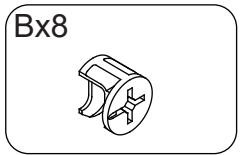
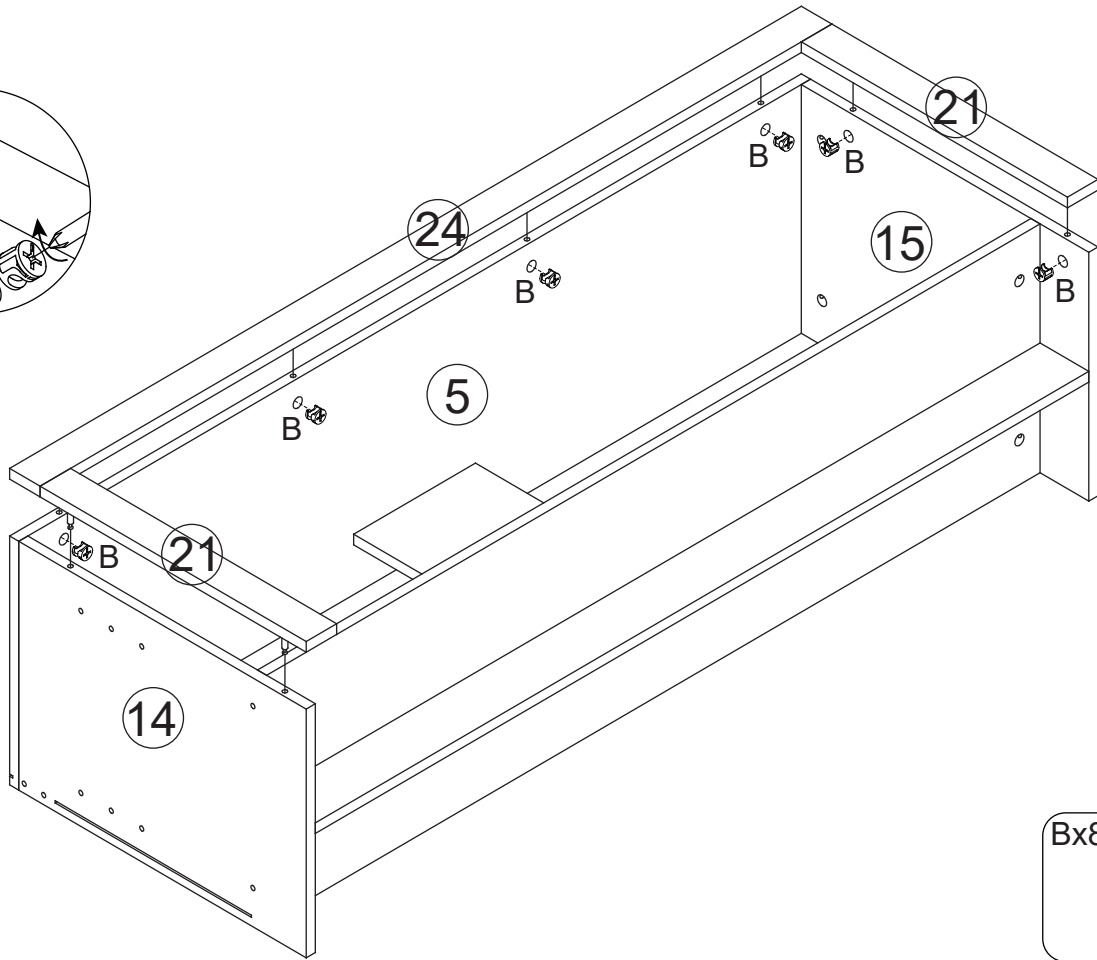
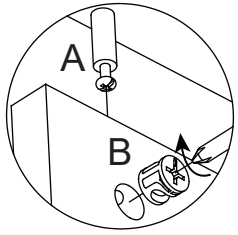


Bx6

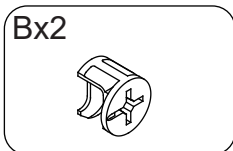
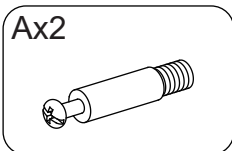
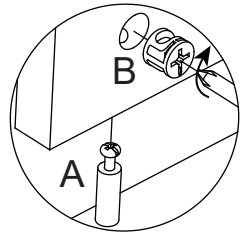
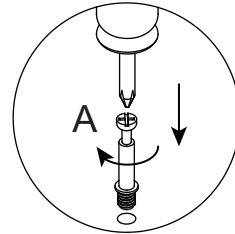
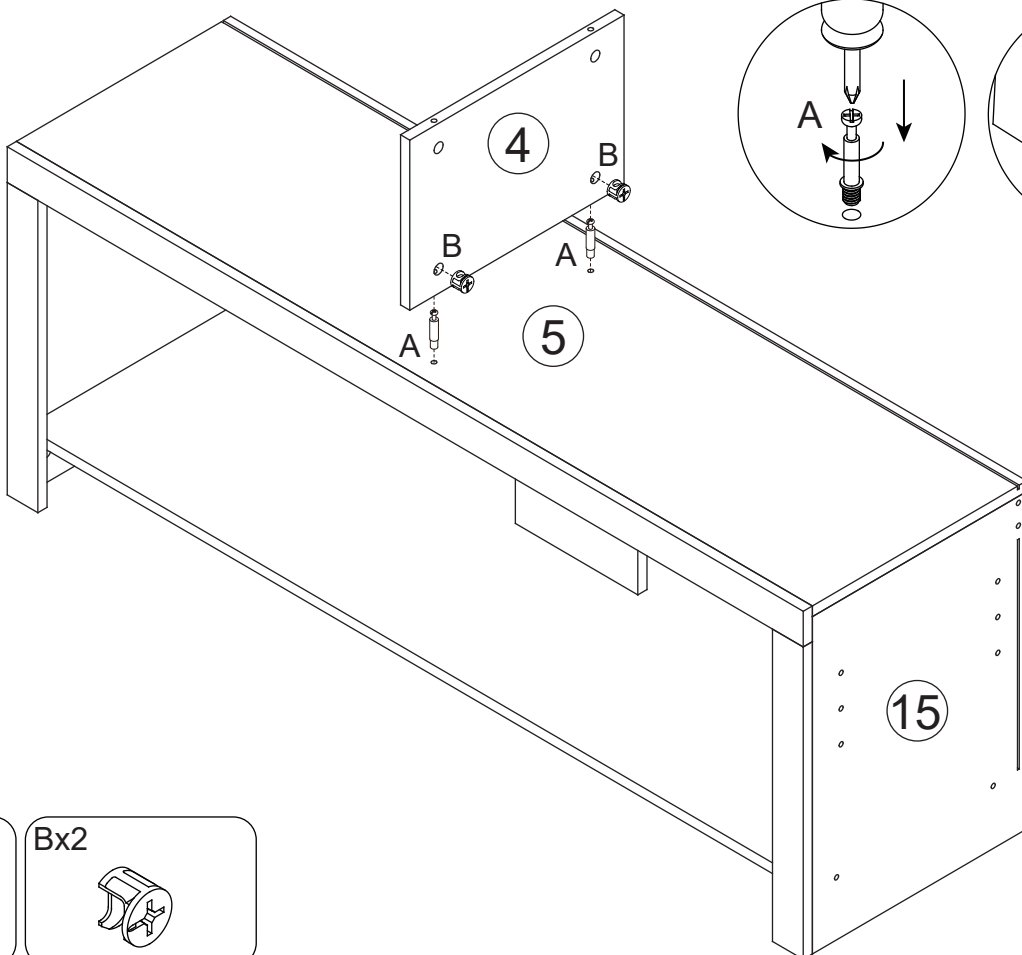


# Installation steps

## STEP 7

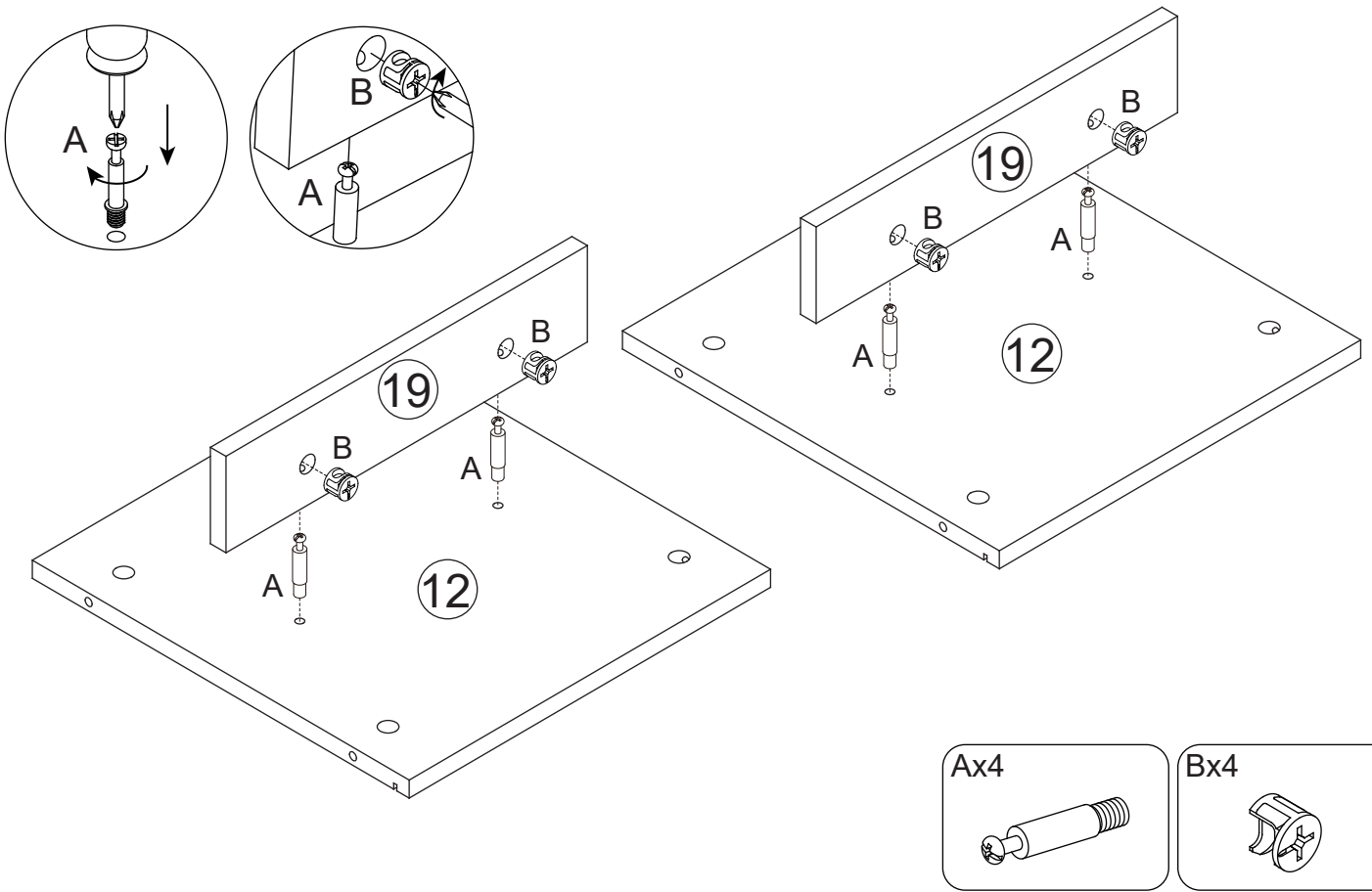


## STEP 8

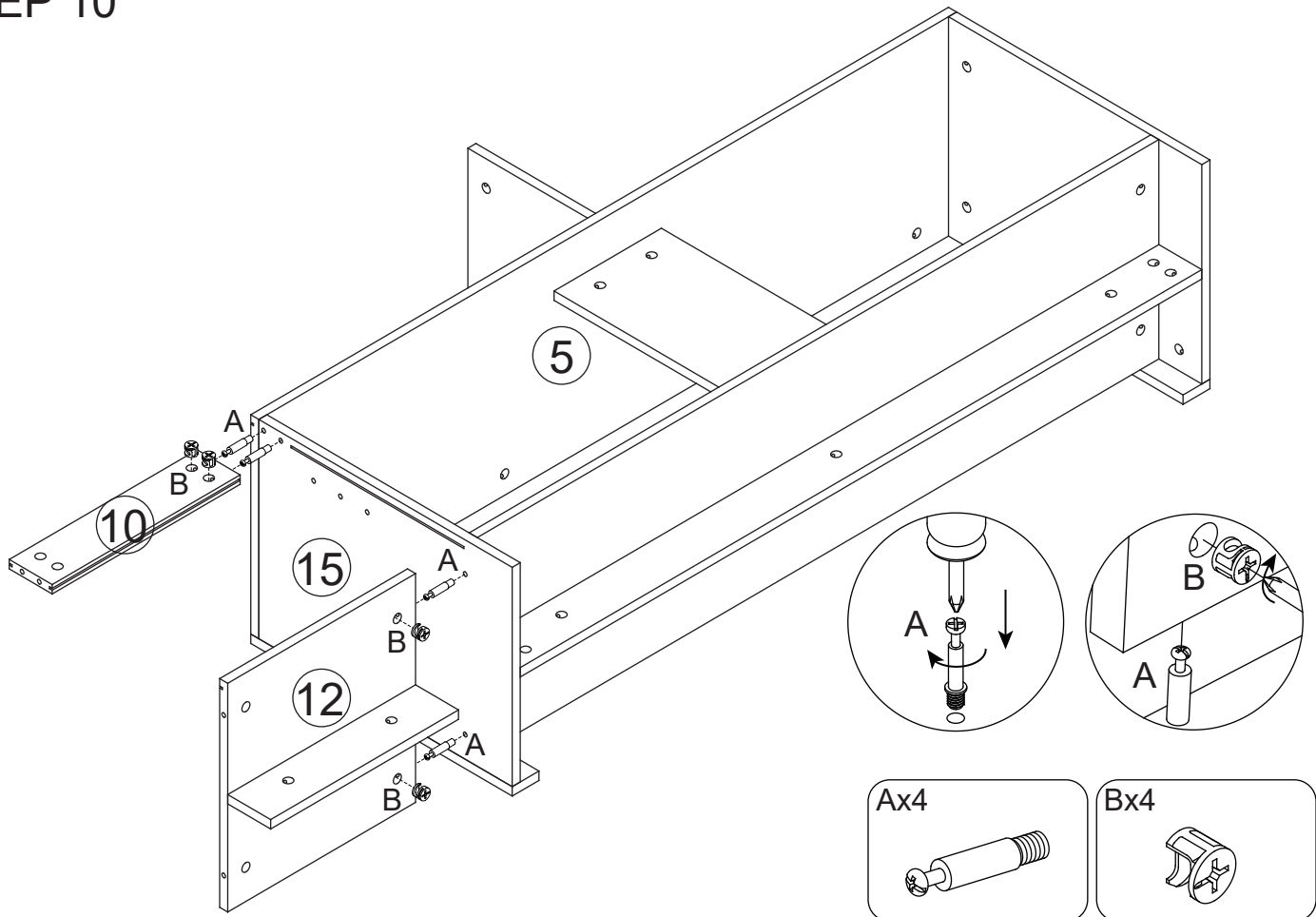


# Installation steps

## STEP 9

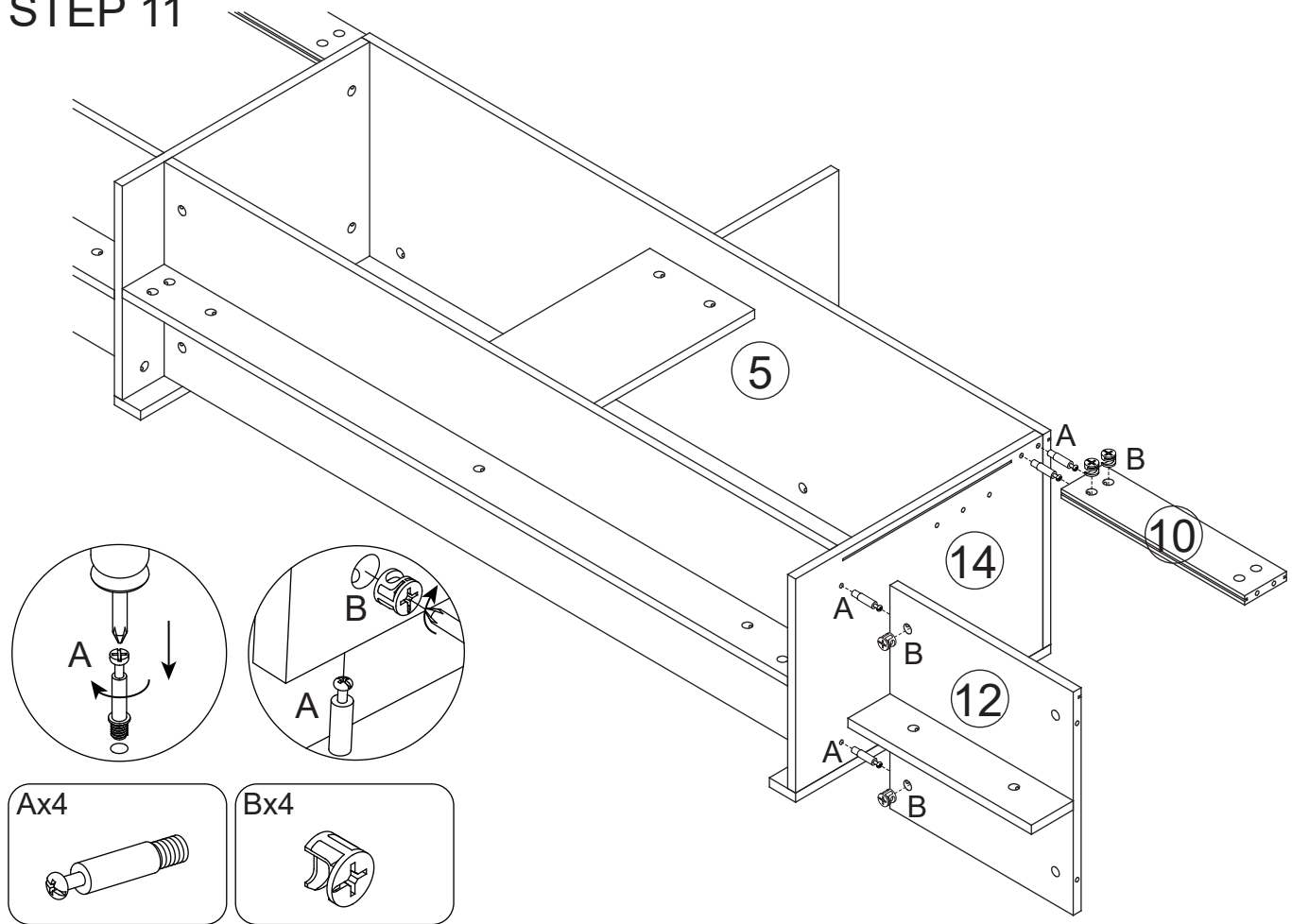


## STEP 10

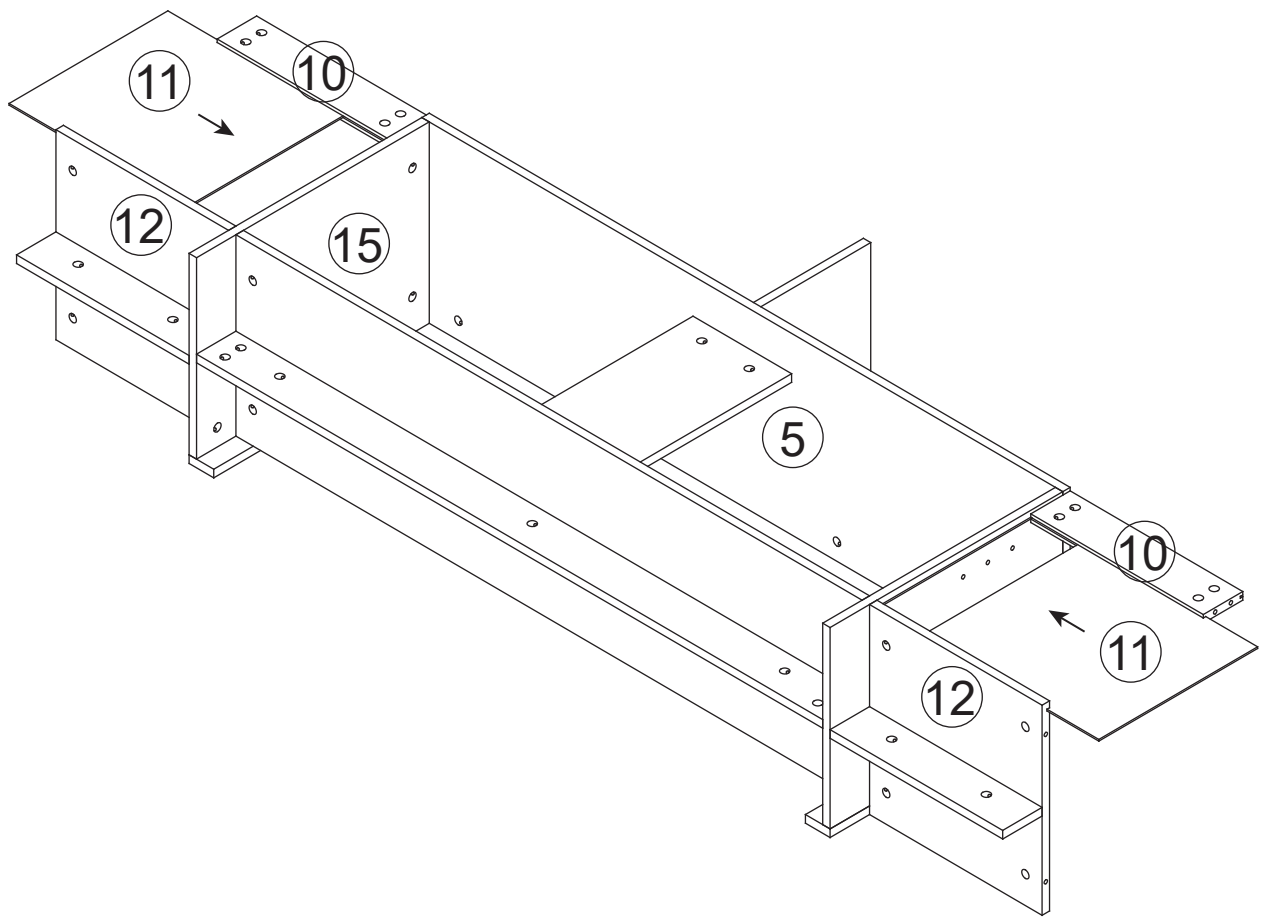


# Installation steps

## STEP 11

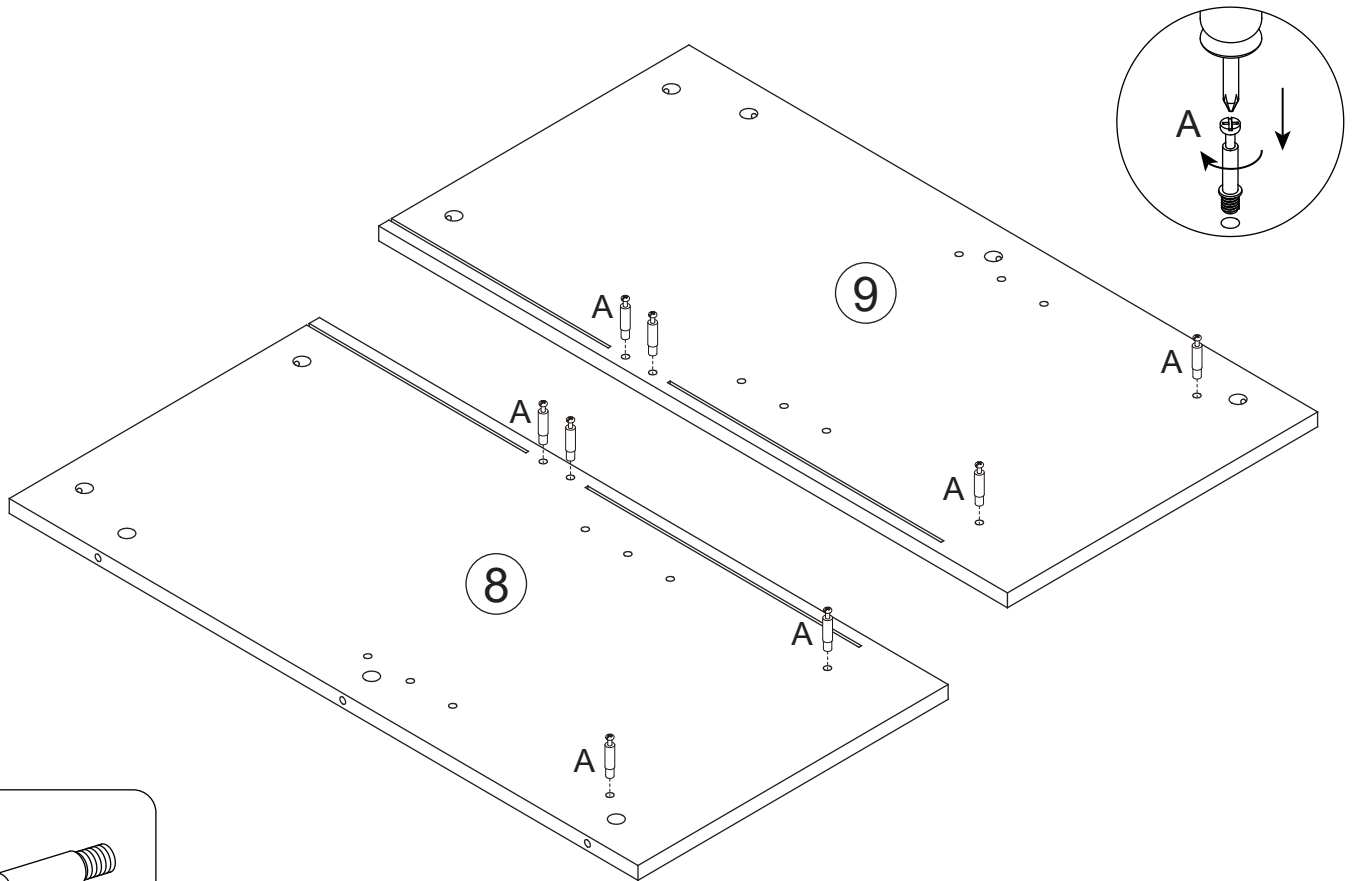


## STEP 12

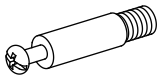


# Installation steps

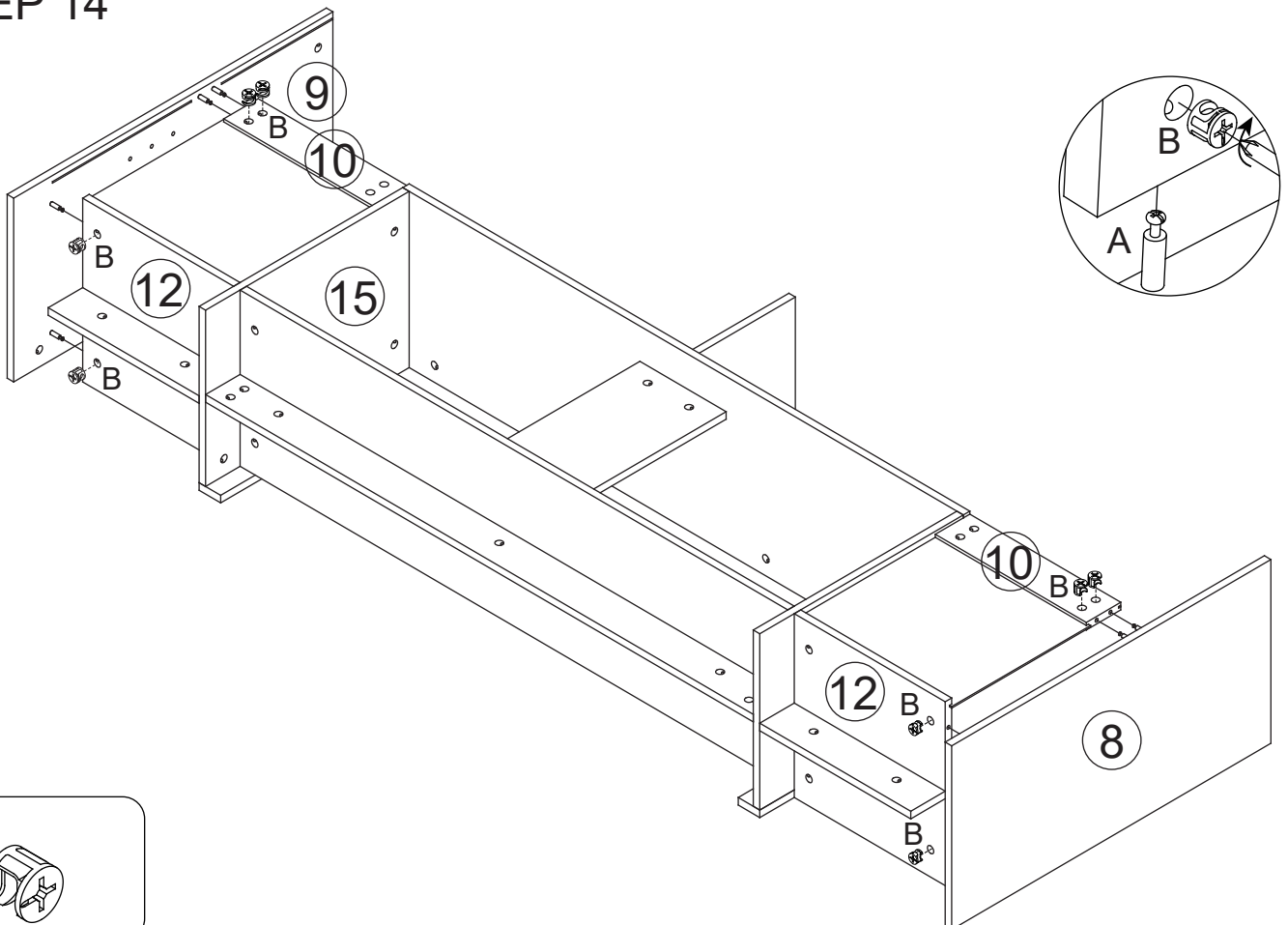
## STEP 13



Ax8



## STEP 14

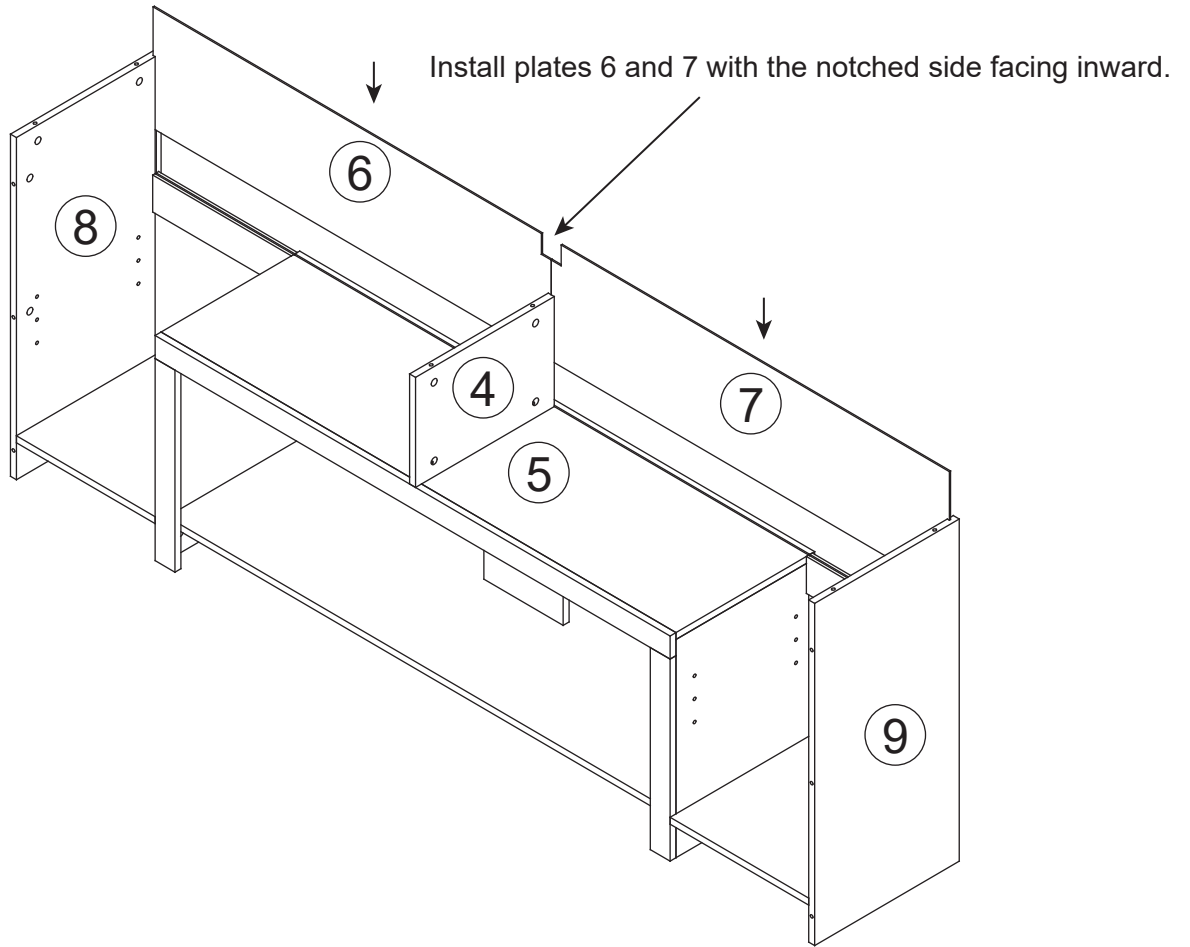


Bx8

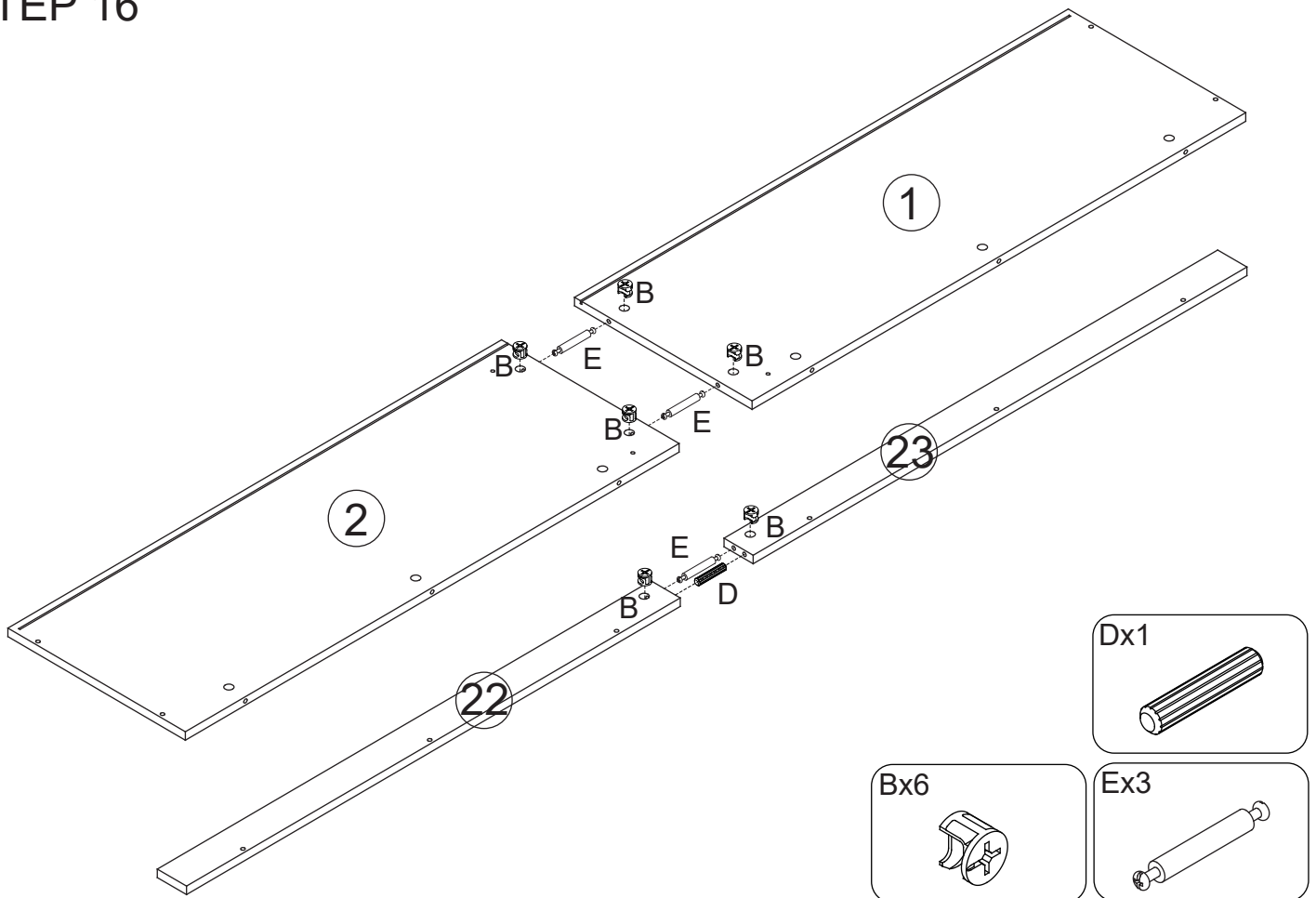


# Installation steps

## STEP 15



## STEP 16



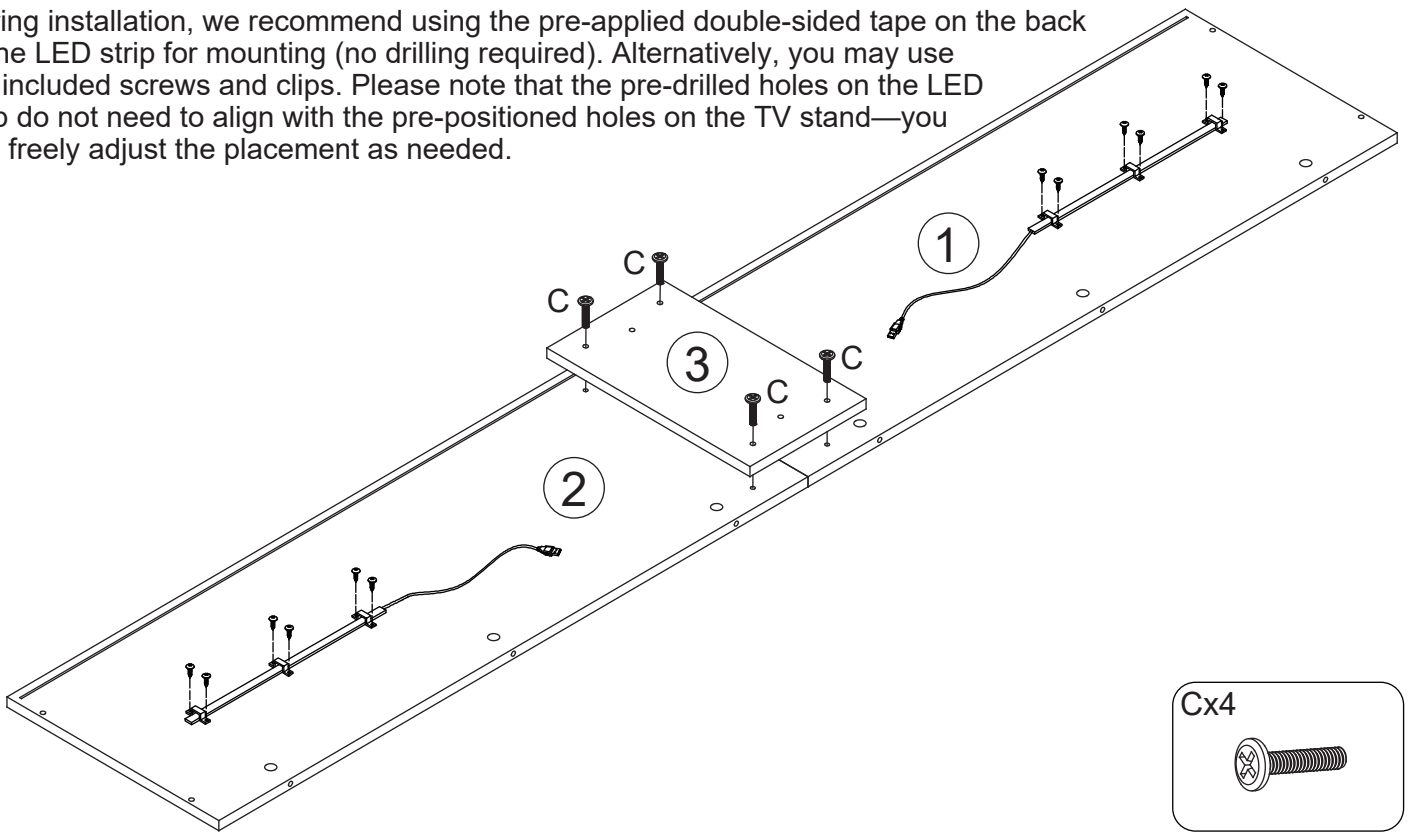
# Installation steps

## STEP 17

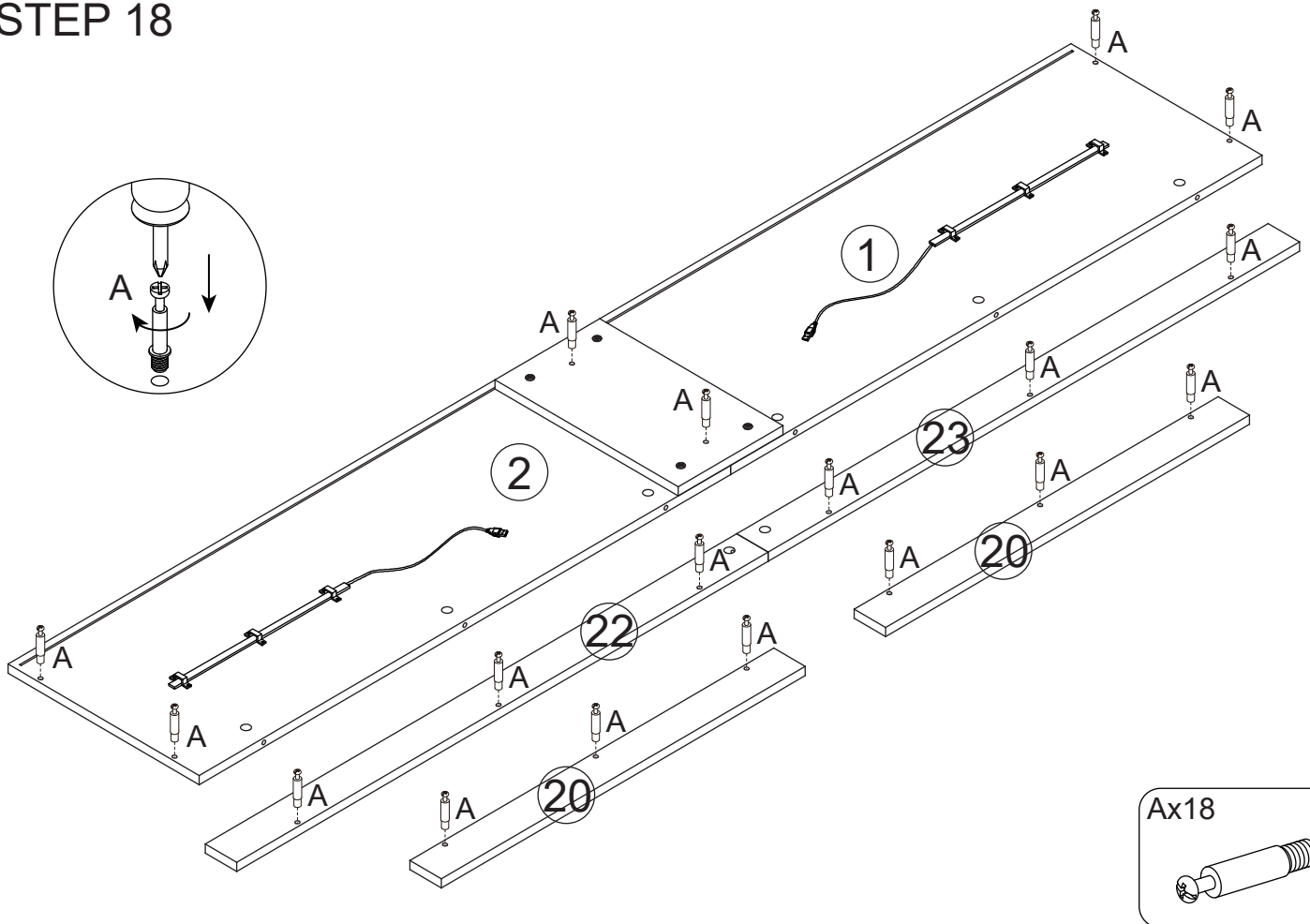
Note that for Panel 3, the side with more screw holes should face up.

Light strips are parts belong to the fireplace.

During installation, we recommend using the pre-applied double-sided tape on the back of the LED strip for mounting (no drilling required). Alternatively, you may use the included screws and clips. Please note that the pre-drilled holes on the LED strip do not need to align with the pre-positioned holes on the TV stand—you can freely adjust the placement as needed.

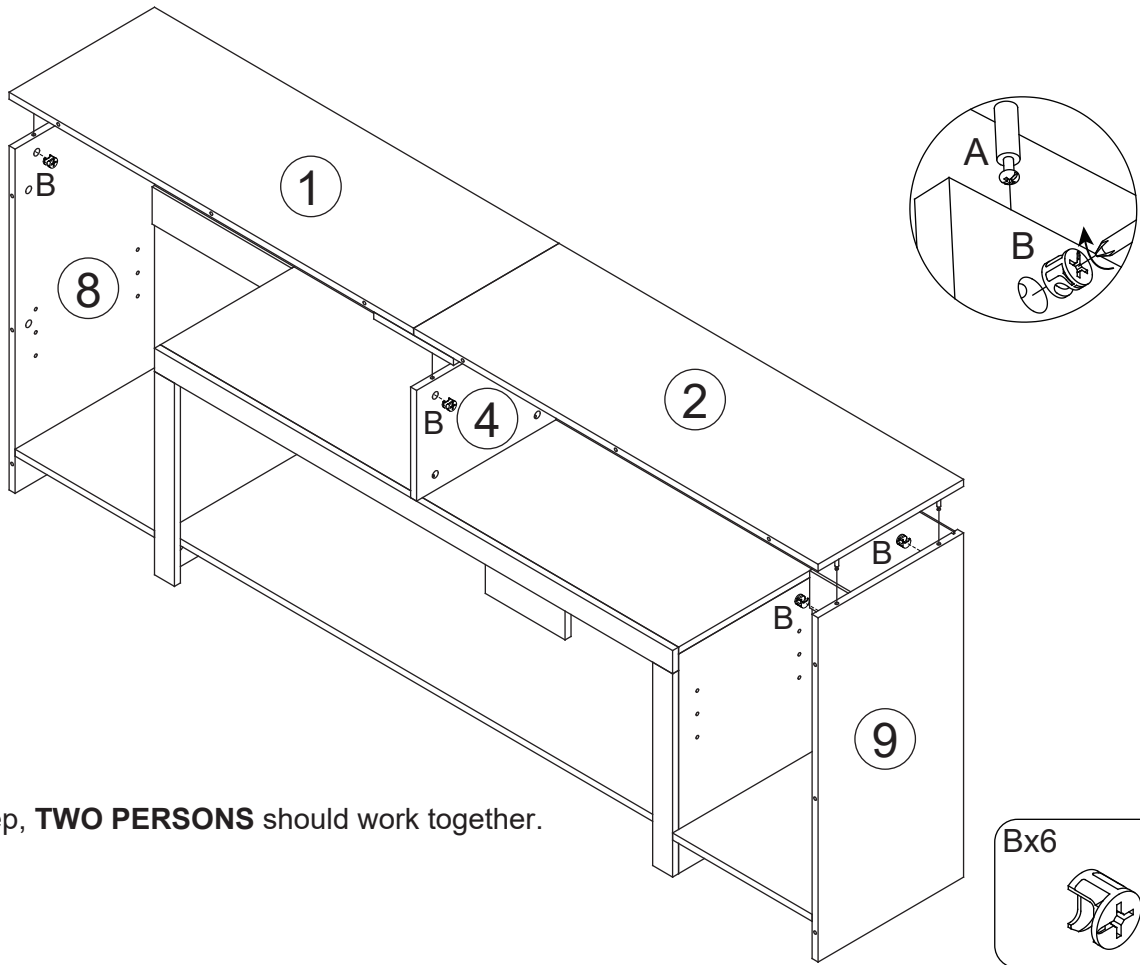


## STEP 18

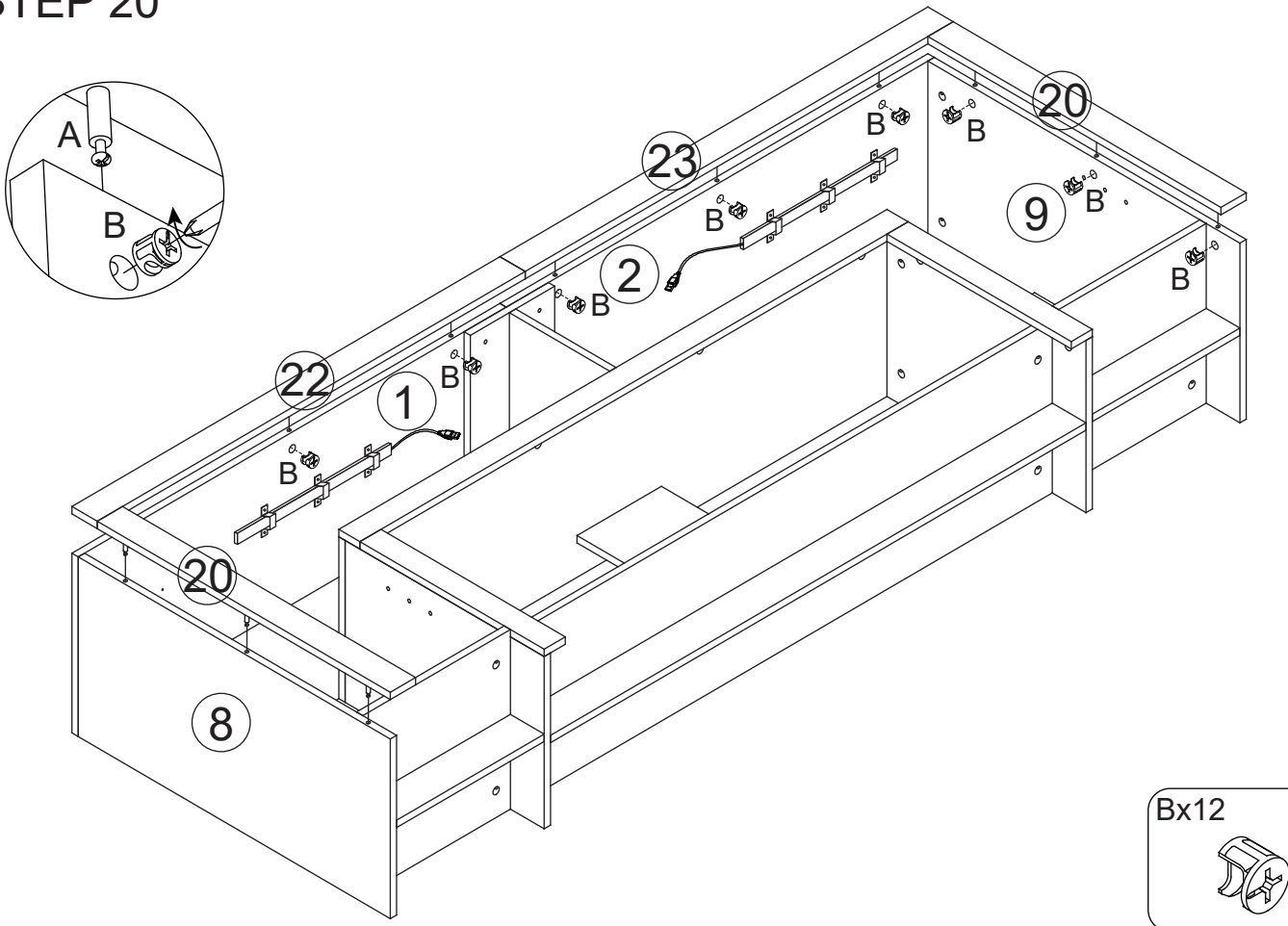


# Installation steps

## STEP 19

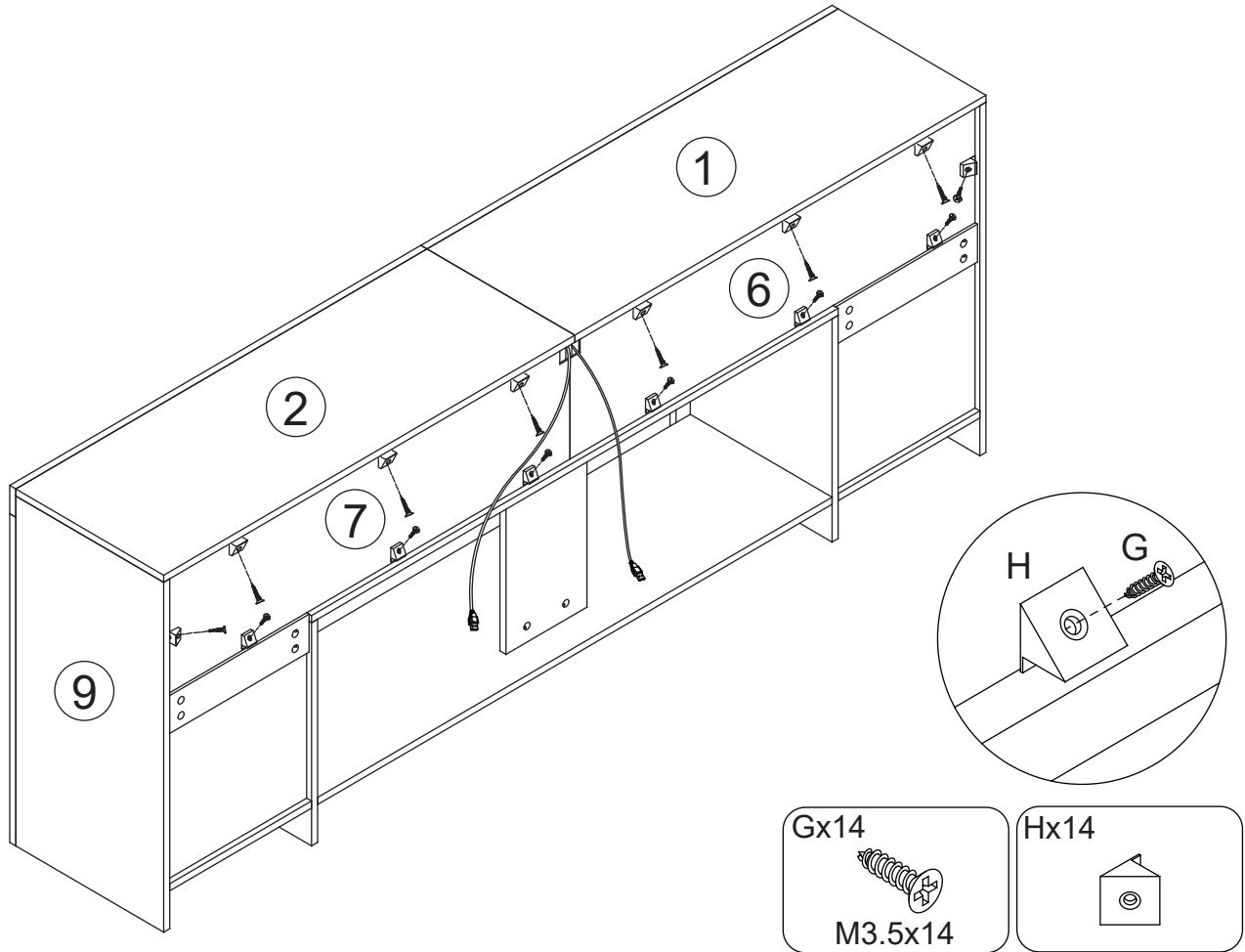


## STEP 20

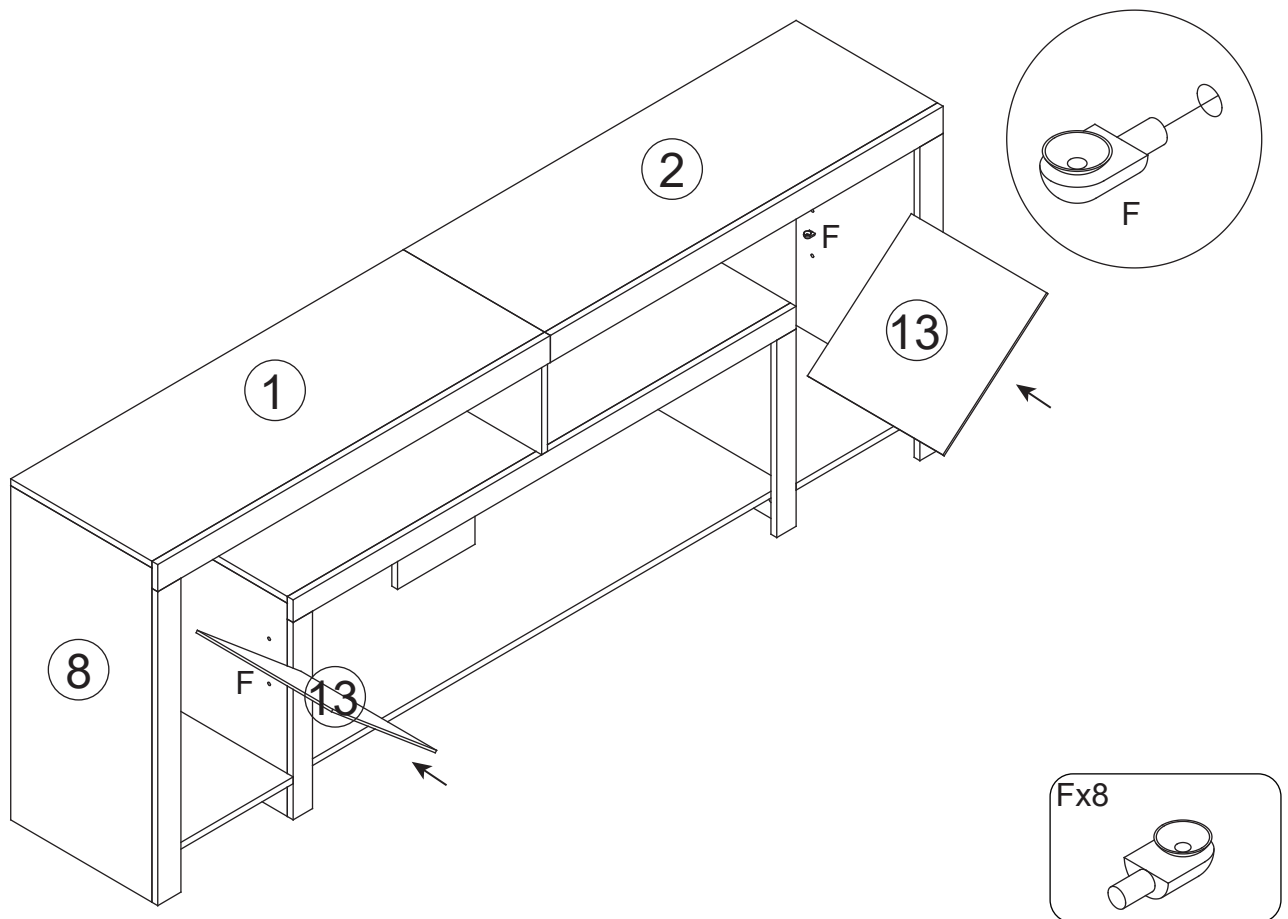


# Installation steps

## STEP 21



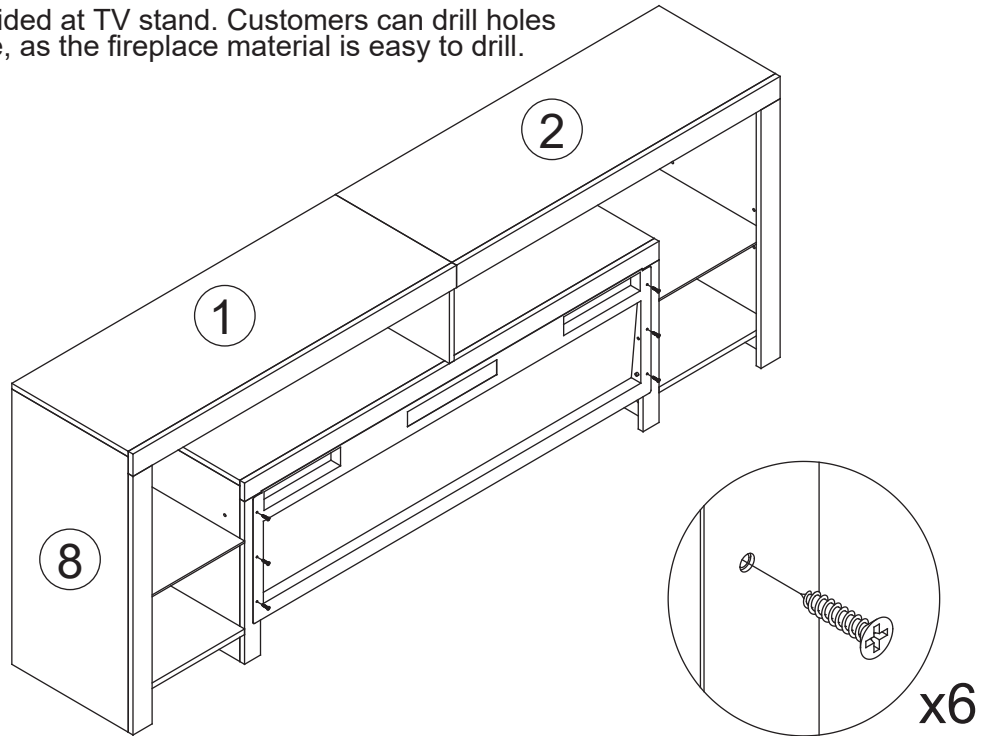
## STEP 22



## STEP 23

### Note:

1. The fireplace and its related parts are delivered in a separate package.
2. In this step, the glass panel of the fireplace has already been removed.  
Please refer to fireplace manual for details.
3. No pre-drilled holes are provided at TV stand. Customers can drill holes directly to install the fireplace, as the fireplace material is easy to drill.



## STEP 24

Note to handle the power plug disconnection and reconnection during fireplace installation. See the fireplace manual for specifics.

