

48" VANITY

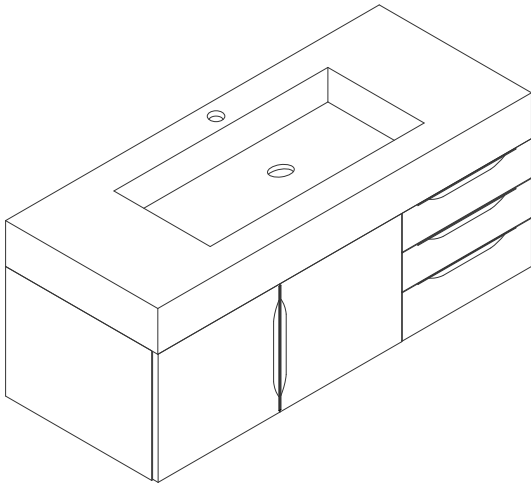
Sink sold separately

VANITIES

Wall Mount Vanity

Dimensions- Wall Mount

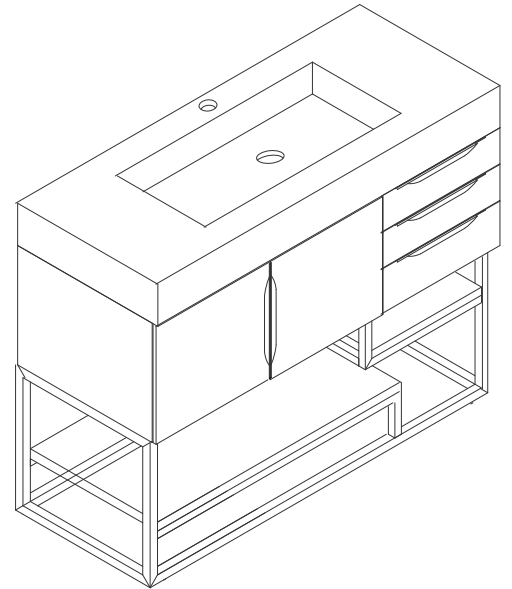
Width: 47-7/8"
Depth: 19-3/8"
Height: 14-3/8"
Rough-In Height: 23-3/8"



Vanity with Base

Dimensions - with Base

Width: 47-7/8"
Depth: 19-3/8"
Height: 31-1/8"
Rough-In Height: 23-3/8"



Features and Materials

Solids: Yellow Poplar

Metal Base Material: 304 Stainless Steel

Metal Base/Hardware Finish: Brushed Nickel/Matte Black/Radiant Gold

Hardware Finish: Brushed Nickel, Matte Black, Radiant Gold

Veneers: AGR-Engineered Ash; LTO-Red Oak

Panels: Plywood

Installation Type: Wall Mounted and Floor Mounted Available

Number of Doors: Two

European Soft Close Hinges

Bamboo Storage Tray: YES

Number of Drawers: Three Full Extension, Soft Close Glides, Aluminum Laminate Drawer Liners

USB/Power Component: YES

Cord Length: 6'6"

Adjustable Levelers

Drawer Box Material and Construction: 12mm Plywood/English Dovetail Joinery

Number of Basins: One, Integrated Sinktop

Sinktop Included: NO, Sold Separately

Basin Overflow: NO

Faucet Type: Single Hole

Fits Drain Hole Size: 1-3/4"

Assembly Required: YES

Assembly Type: Pulls require installation (ships in a separate carton)

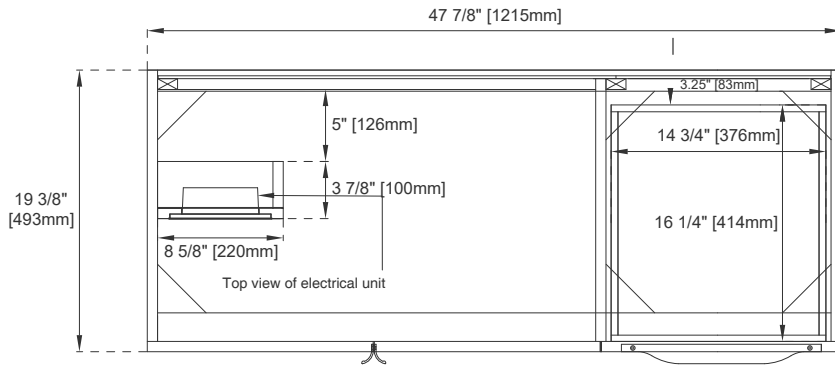
Assembly Type: Optional base requires assembly to the vanity

Assembly Type: Shelves for the base (ships in a separate carton)

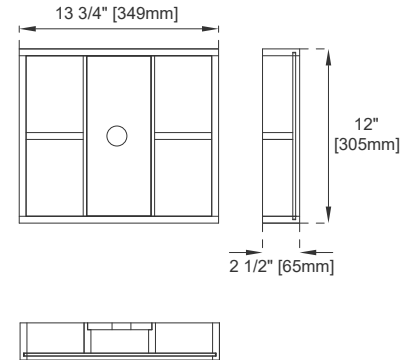
48" VANITY

983 SERIES

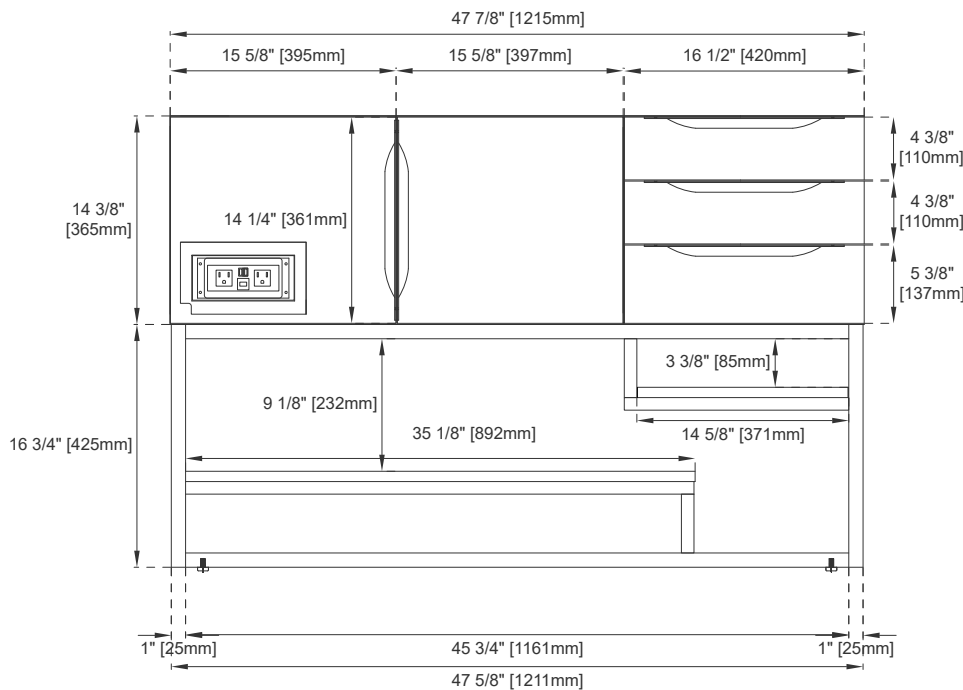
Sink sold separately



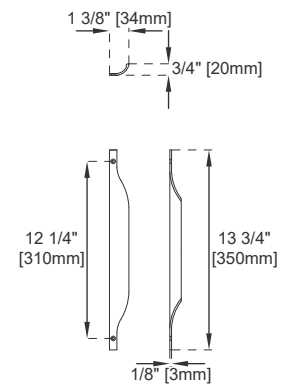
Top View



Bamboo Drawer Organizer



Front View



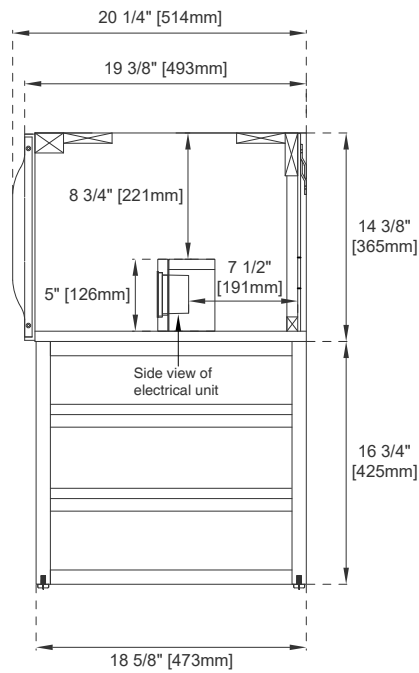
Knob

All dimensions are nominal

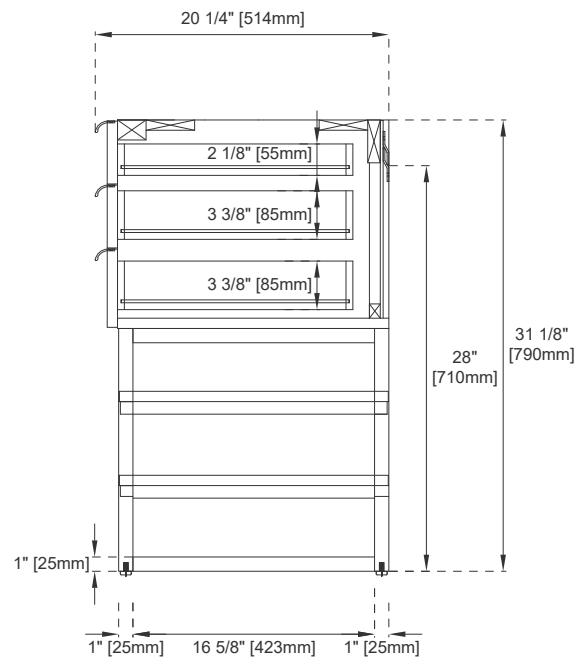
48" VANITY

983 SERIES

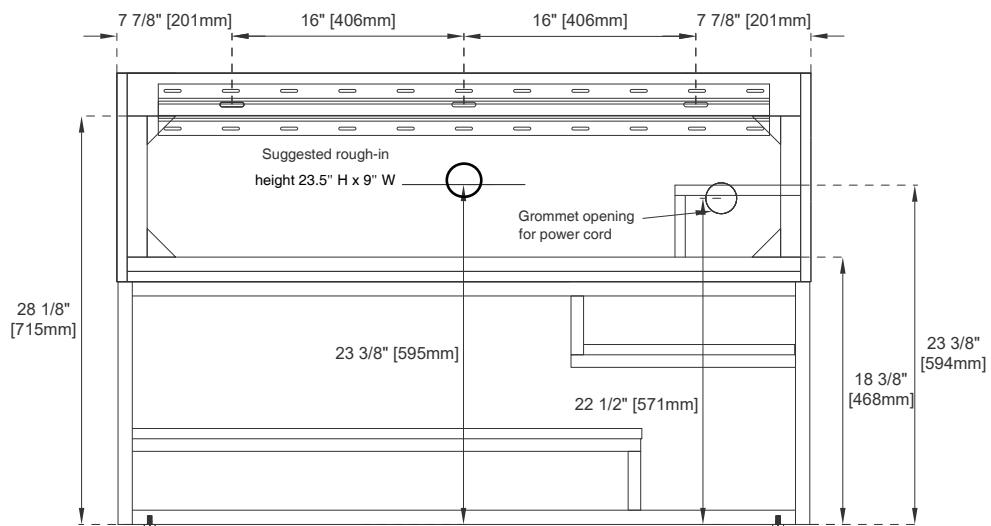
Sink sold separately



Side View 1



Side View 2



Back View

All dimensions are nominal