

THKFBV111

## INSTALLATION INSTRUCTIONS

\*The vessel and faucet set is not included

# IMPORTANT NOTICE

## **Workspace Safety**

Keep the workspace clear of clutter and ensure it's well-lit. A clean, flat surface is essential.

## **Read Instructions**

Read the entire assembly guide before starting. Skipping steps can compromise safety.

## **Use Proper Tools**

Use the tools provided or recommended. Avoid overtightening screws.

## **Secure Furniture**

Use the tools provided or recommended. Avoid overtightening screws.

## **Handle Small Parts**

Keep small parts away from children and pets to avoid choking hazards.

## **Get Help**

Don't hesitate to ask for help with heavy or complex pieces.

## **Inspect Regularly**

Periodically check for loose screws or wobbly parts and tighten as needed.

Follow these tips for a safe assembly process.

# CARE AND CLEANING

Many cleaners contain abrasive and chemical substance which is not suitable for cleaning stainless steel, enamel, plating or plastic products. You may use mild cleansers or soaps to clean the surfaces. Wipe any splashes of cleaner solutions from the surface with a clean soft cloth.

Maintain ventilation in the bathroom and separate the dry area from the damp one if conditions permit. Try to open the door and windows of the bathroom to maintain adequate ventilation.

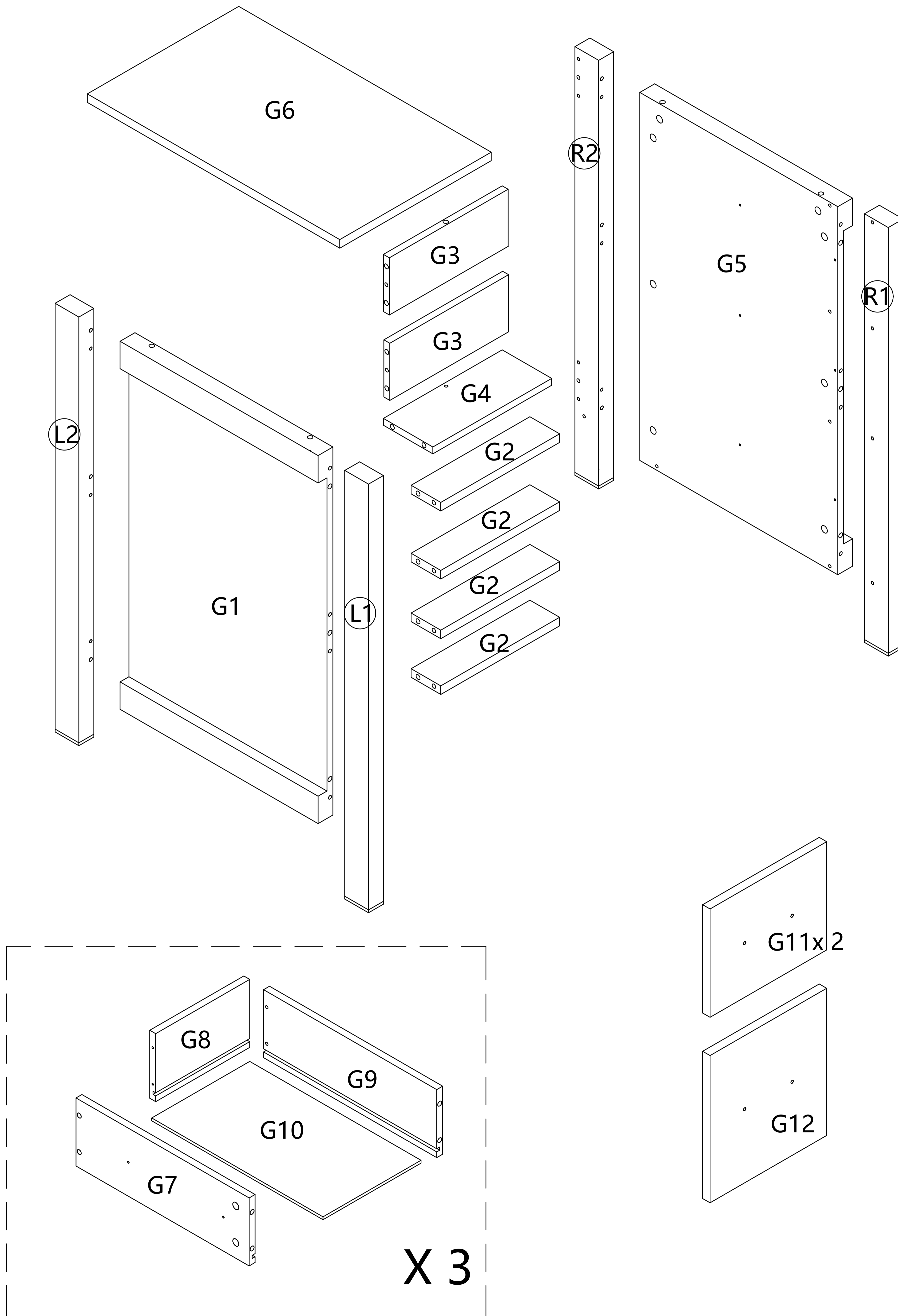
This cabinet is built to withstand normal bathroom humidity. For best results, keep this vanity dry and take necessary steps to minimize bathroom humidity by opening windows and doors and using the exhaust fan (if available).

To maintain the cabinet door, clean and wipe the door regularly with a soft cloth. Wipe condensation with a dry, soft cloth. Keep away from high temperatures.

Please do not sit, lean or step on the basin cabinet.

# ASSEMBLY DIAGRAM

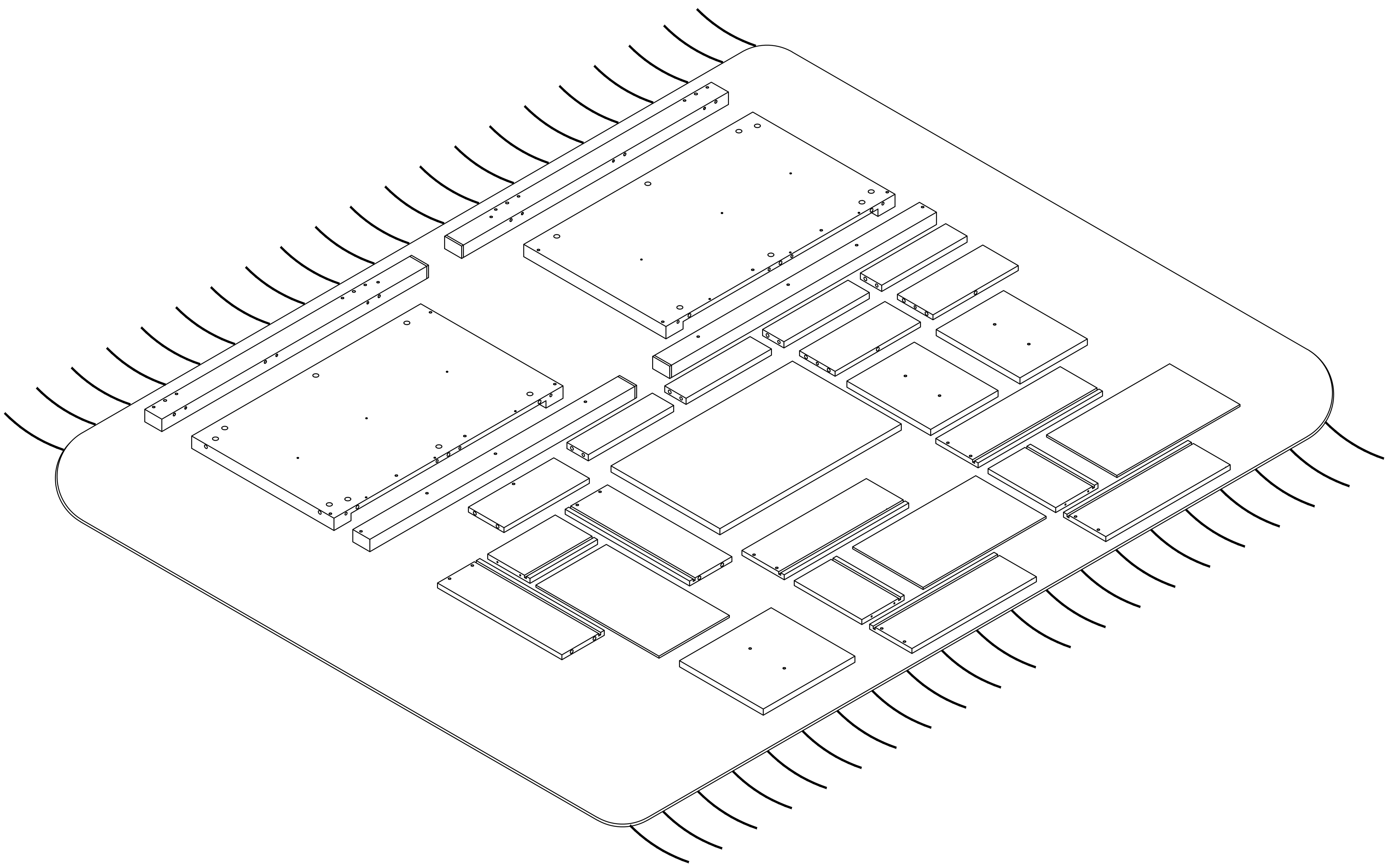
1. Refer to the exploded view below for the approximate location of each component.
2. Each part is labeled for easy identification.
3. Follow the assembly instructions carefully to ensure proper installation.



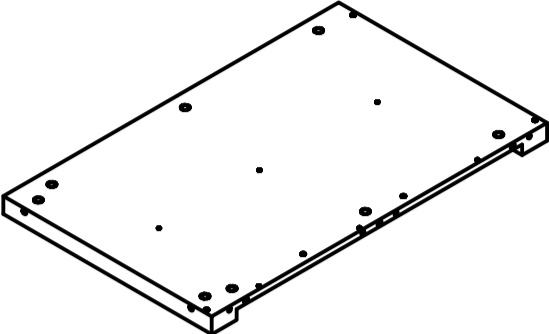
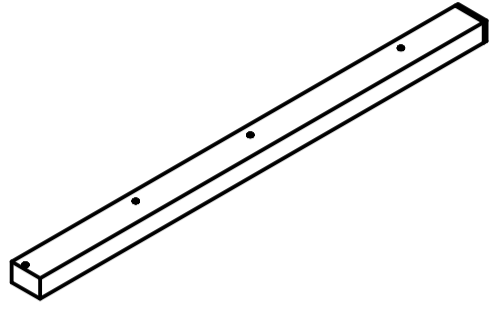
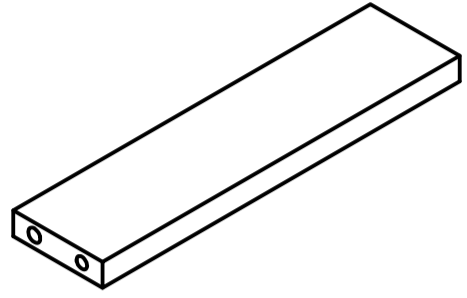
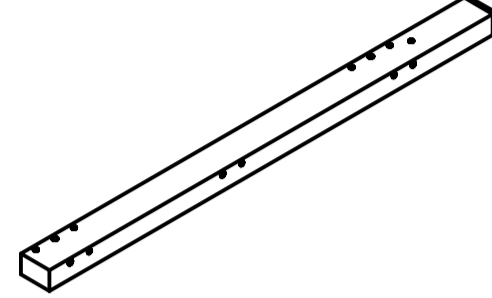
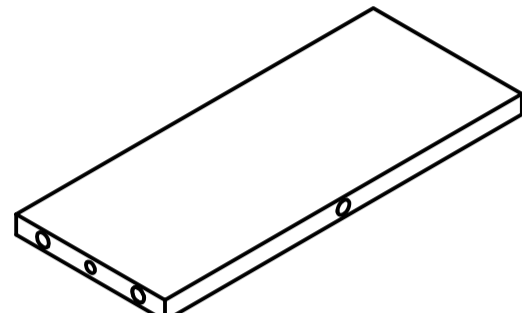
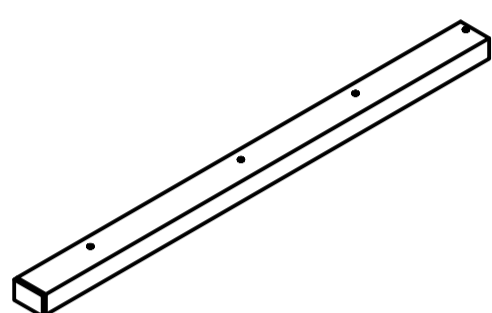
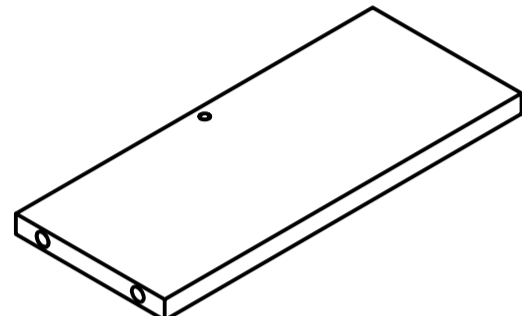
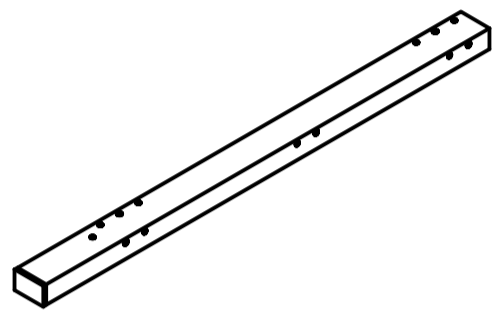
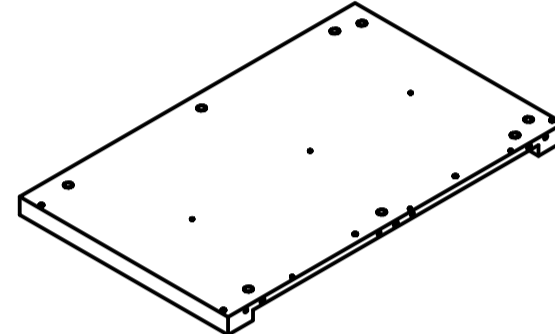
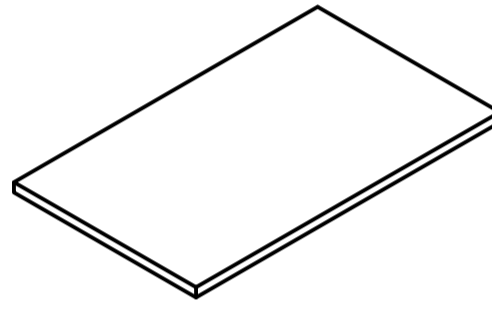
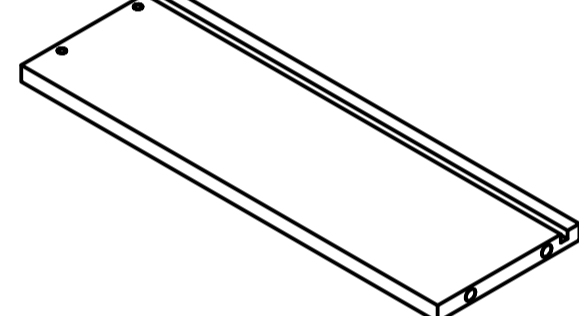
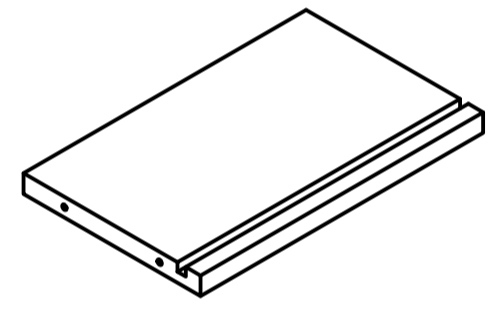
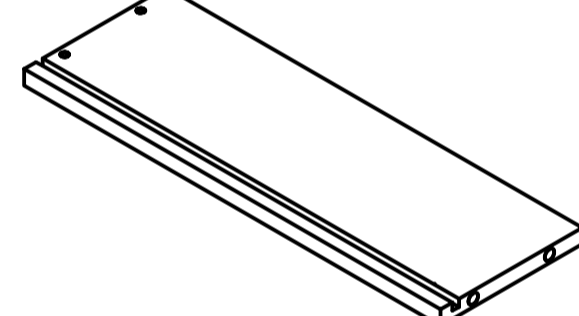
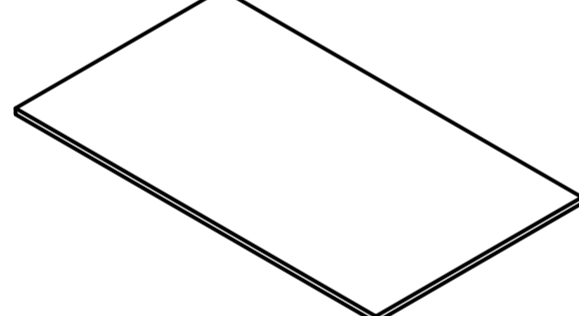
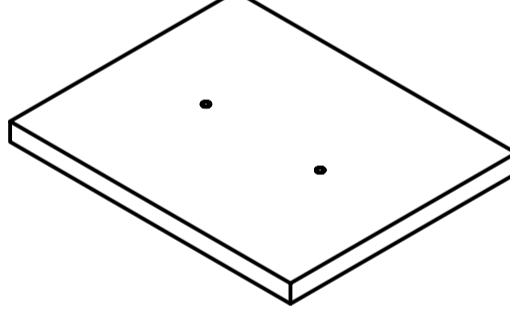
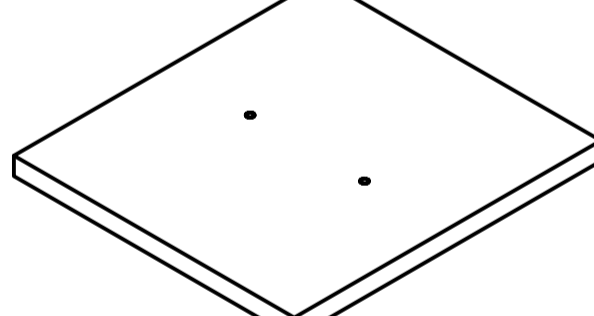


# PRE-ASSEMBLY PREPARATION

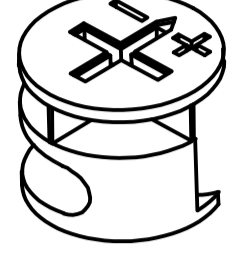
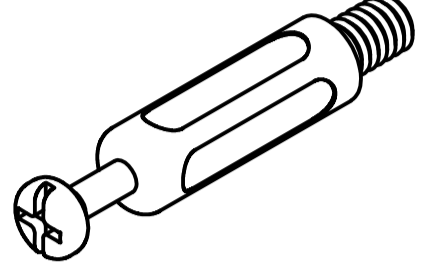
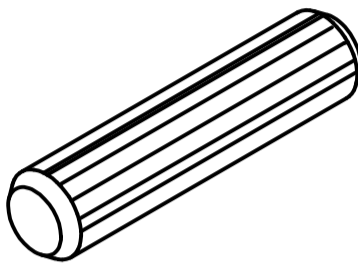
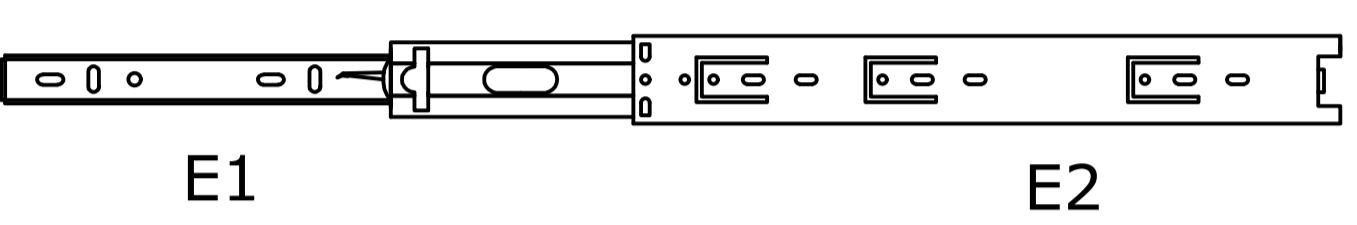
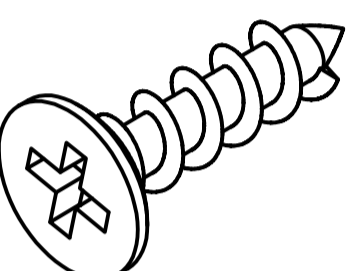
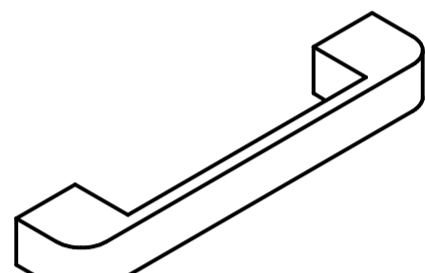
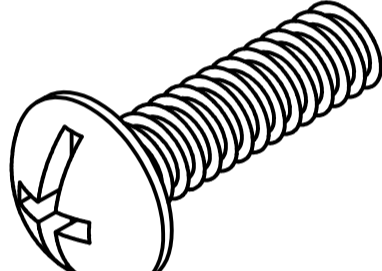
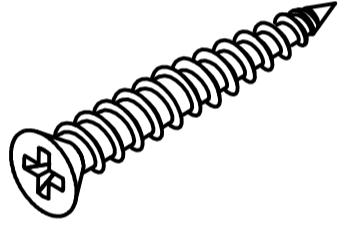
Before assembly, place all furniture parts on a soft surface, such as a blanket or the original packaging cardboard, to prevent damage to the floor or components from accidental drops and to avoid scratching the surfaces.



# PARTS LIST

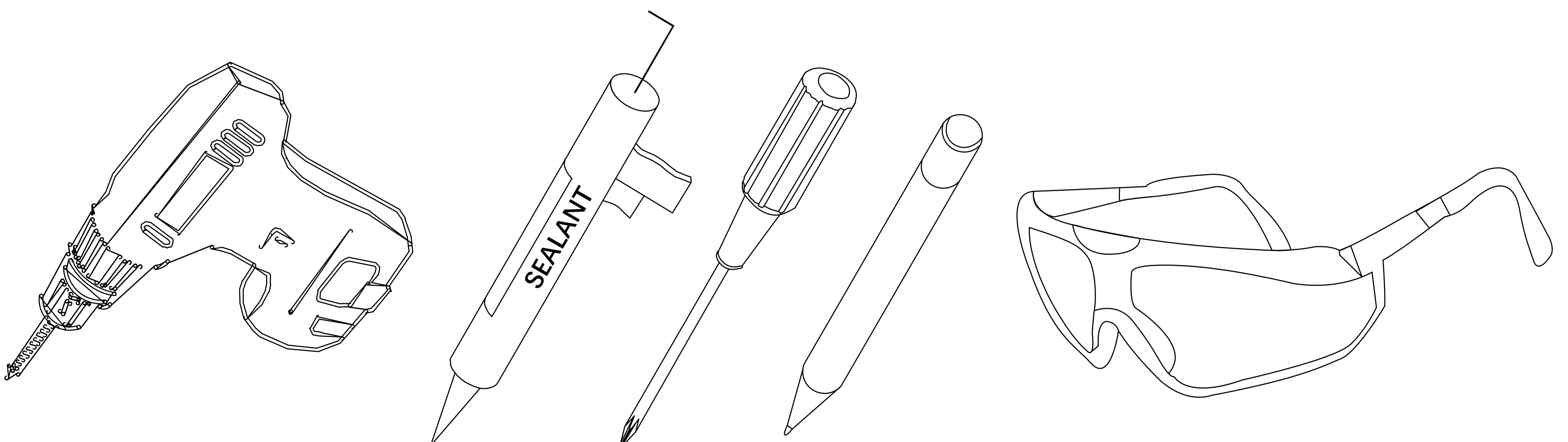
NO.	Description	QTY	NO.	Description	QTY
G1		1	L1		1
G2		4	L2		1
G3		2	R1		1
G4		1	R2		1
G5		1			
G6		1			
G7		3			
G8		3			
G9		3			
G10		3			
G11		2			
G12		1			

# HARDWEAR LIST

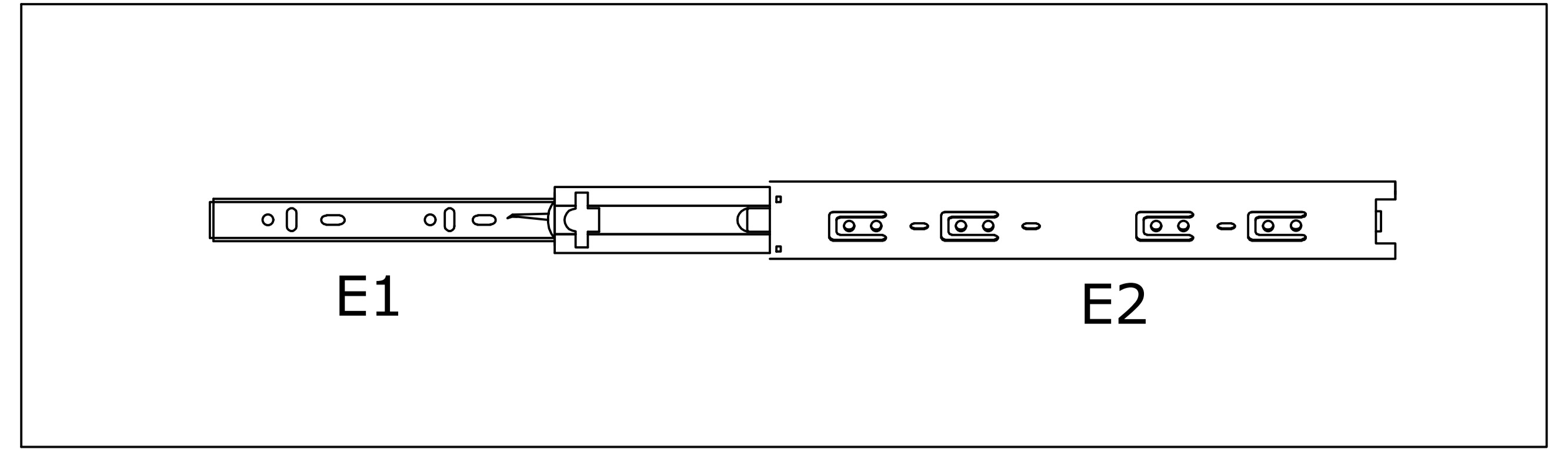
NO.	Description	QTY	NO.	Description	QTY
A		58			
B		58			
D	 $\varnothing 6 \times 30 \text{ mm}$	18			
E	 E1 E2	6			
F	 $\varnothing 4 \times 12 \text{ mm}$	24			
G		3			
H	 $\varnothing 4 \times 19 \text{ mm}$	6			
J	 $\varnothing 4 \times 35 \text{ mm}$	12			

**CAUTION:** Please confirm the parts list before installation

## YOU MAY NEED (NOT SUPPLIED)



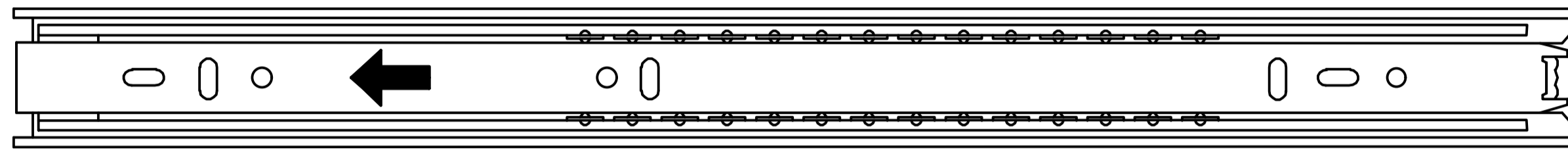
# 1



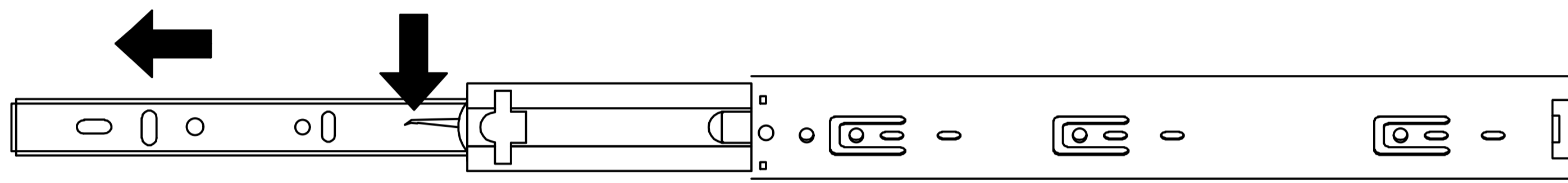
## TIPS

### How To Separate A Ball Bearing Slider

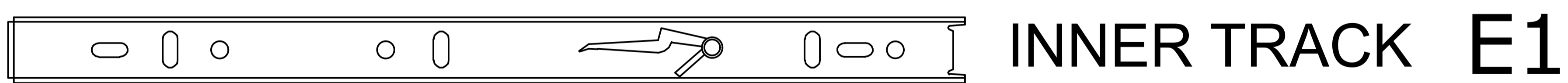
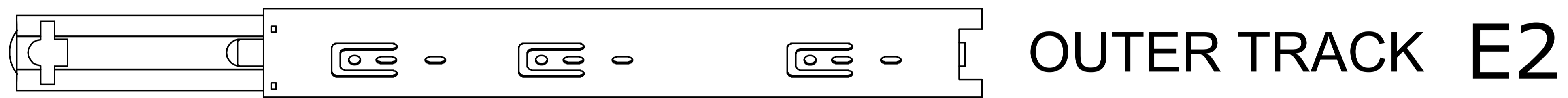
1) Pull toward arrow to open the slider until it's stops and then flip it over



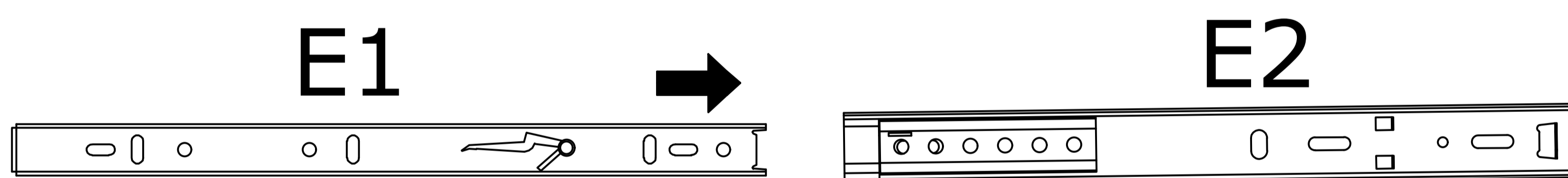
2) Push plastic lever down and pull apart the slider at the same time



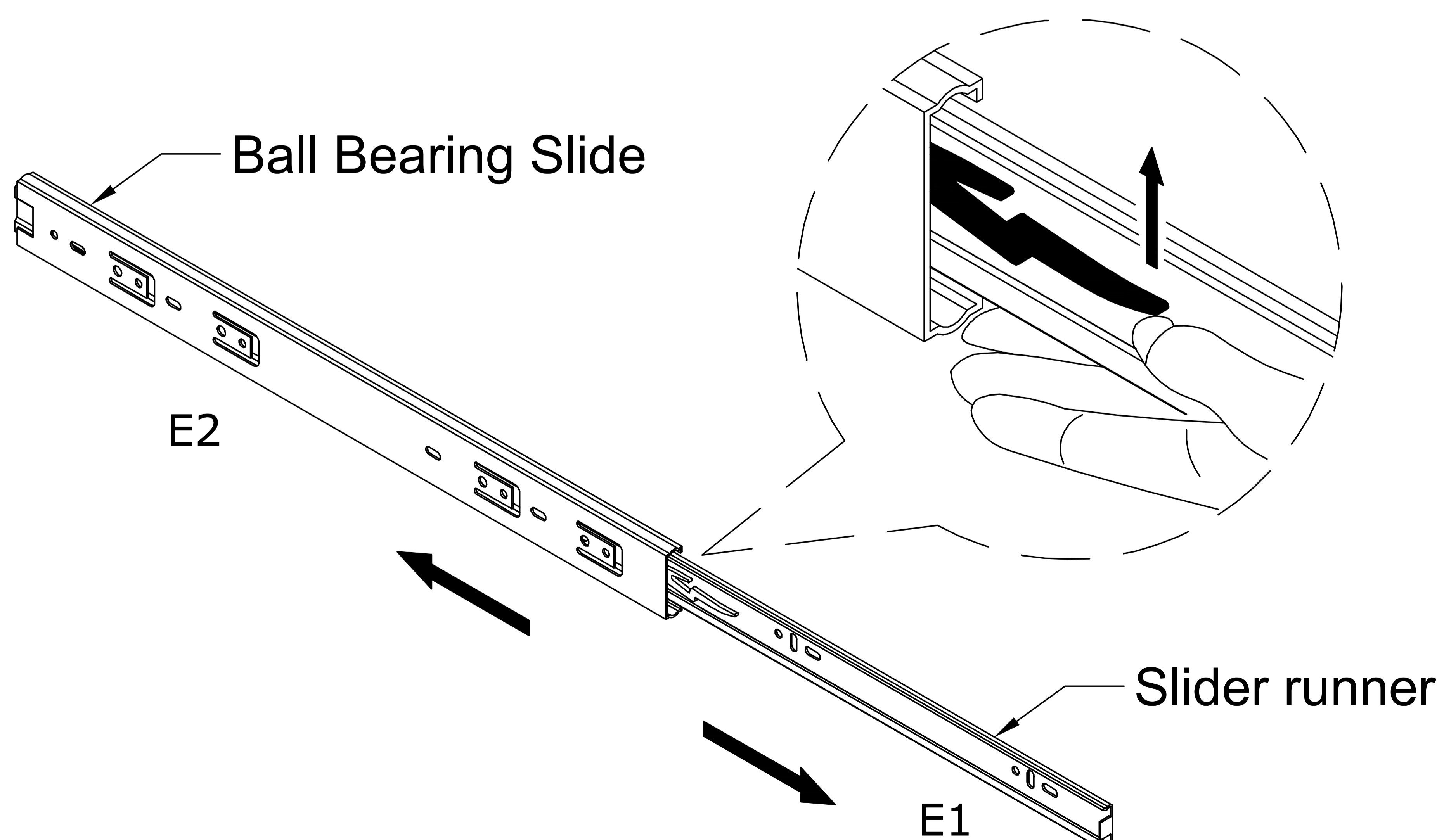
3) After disassembly



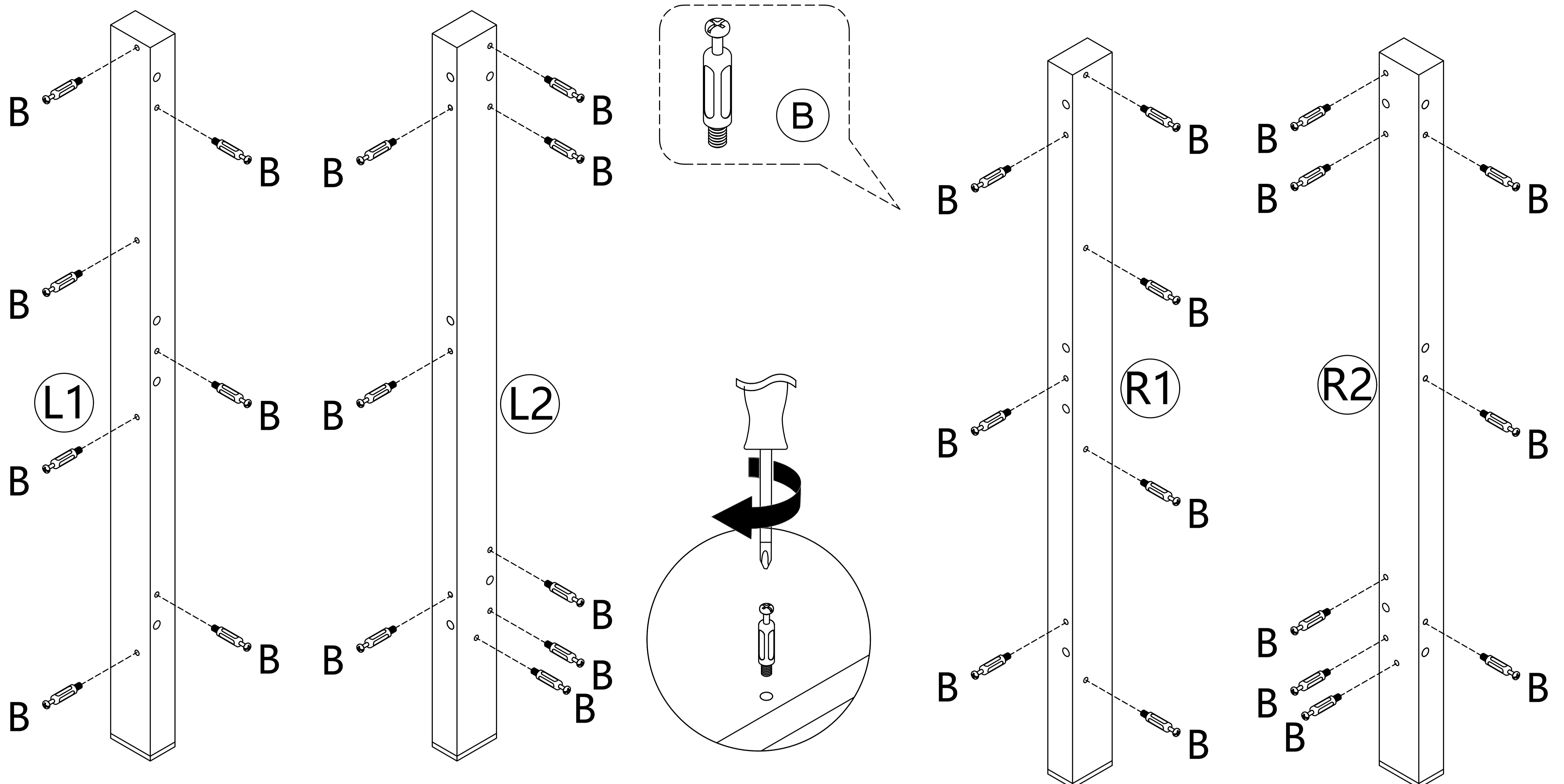
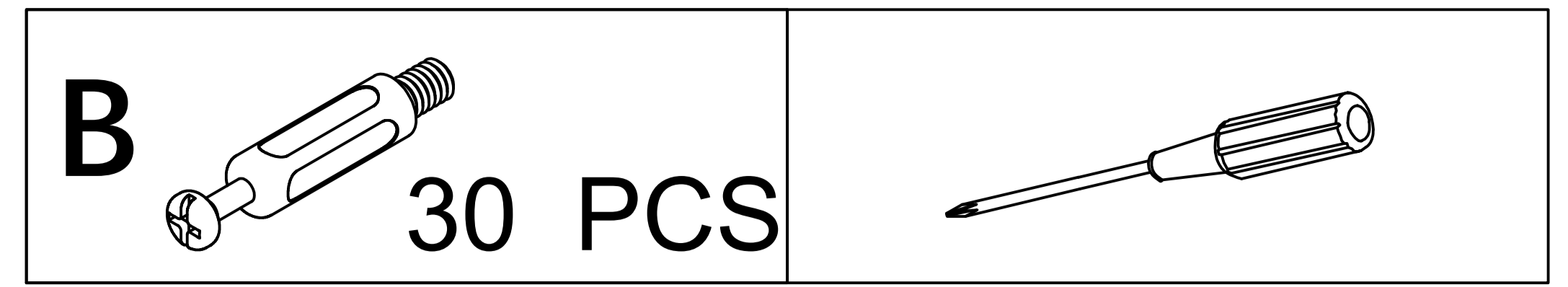
### How to Assemble the Slider



Align the outer track(L2) with the center of the inner track(L1) and push in.

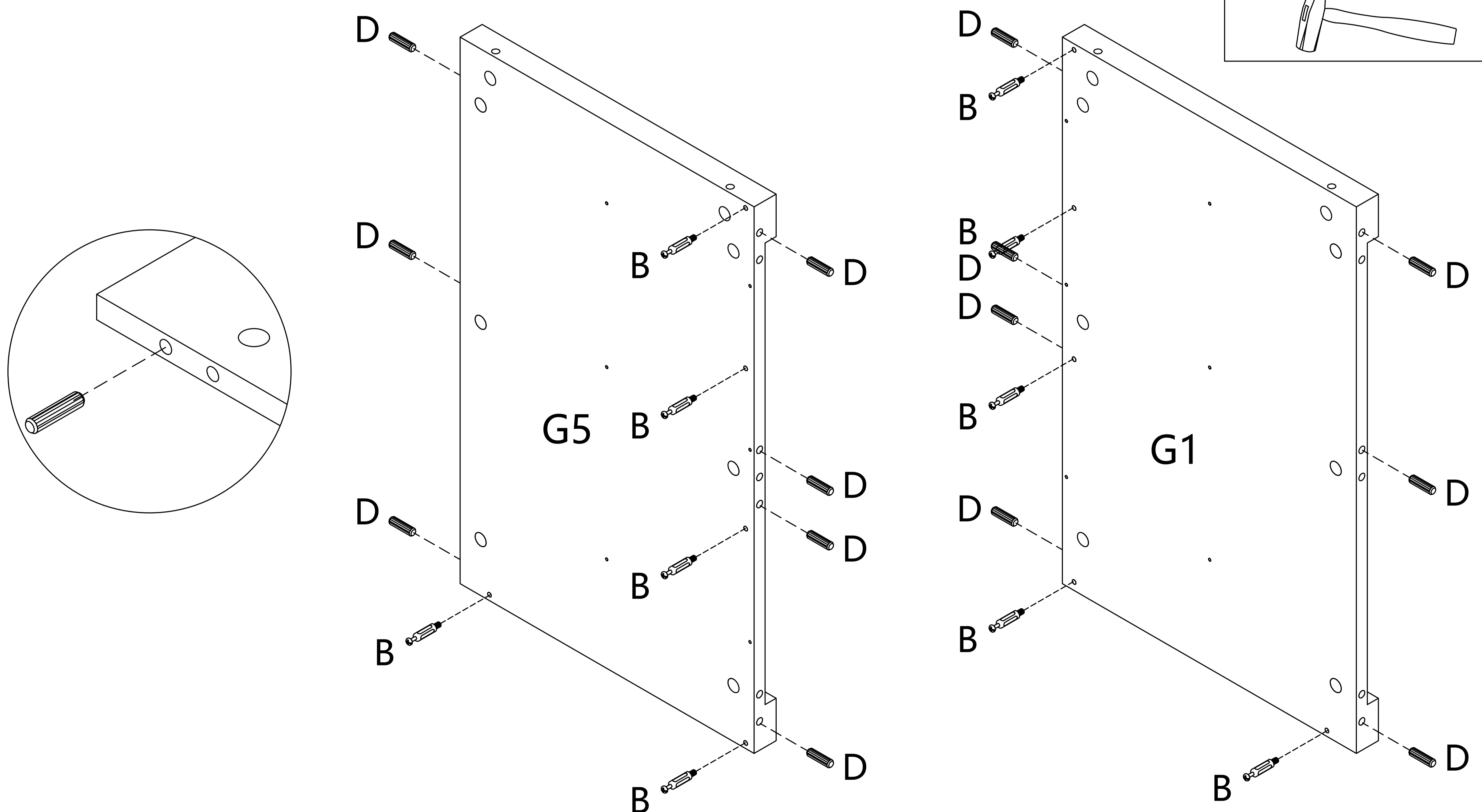
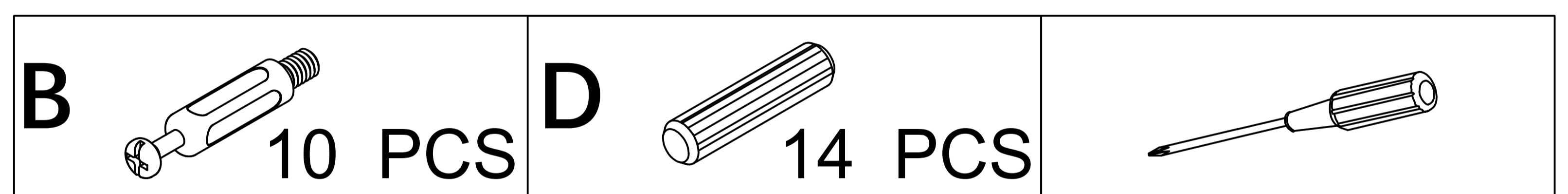


# 2



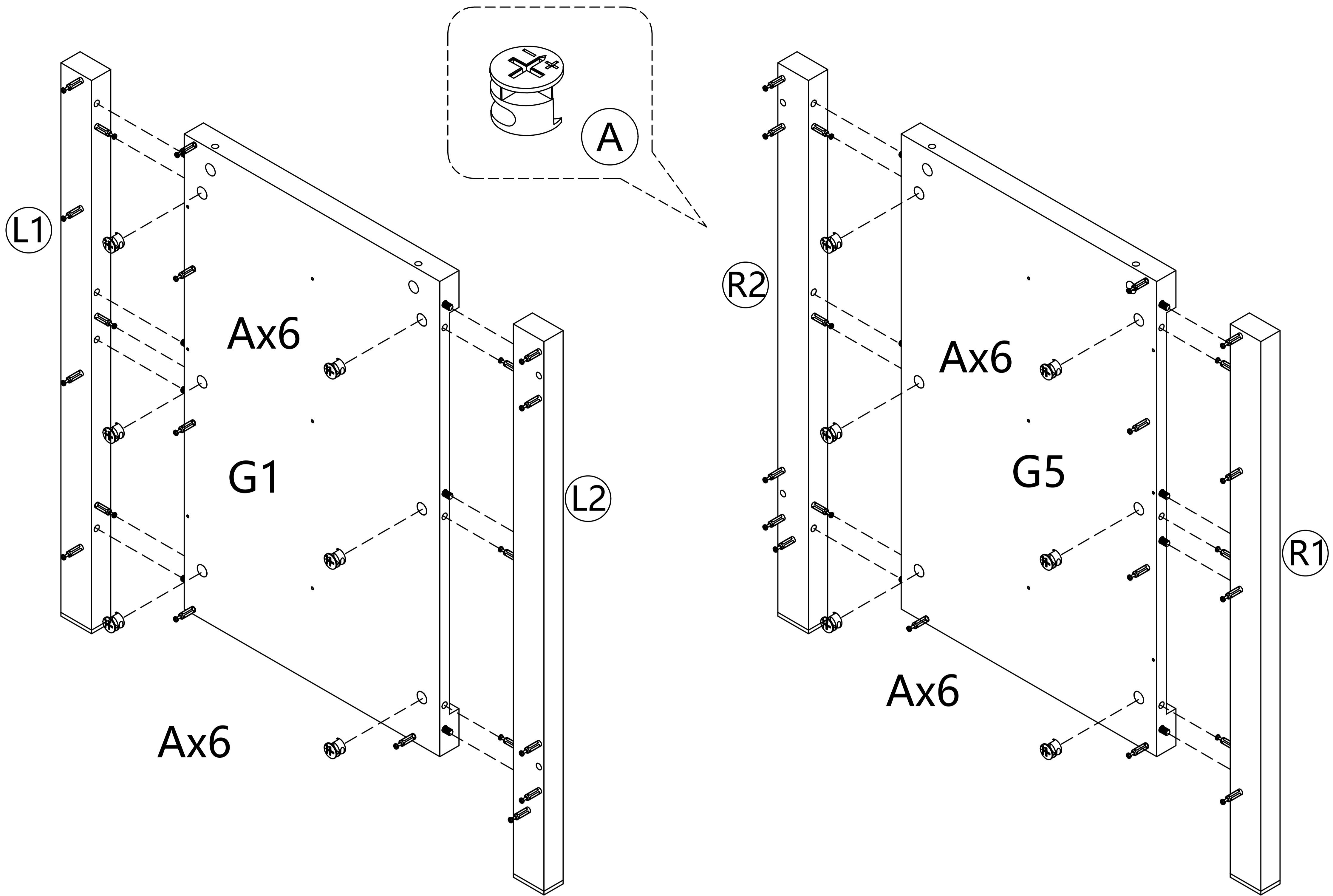
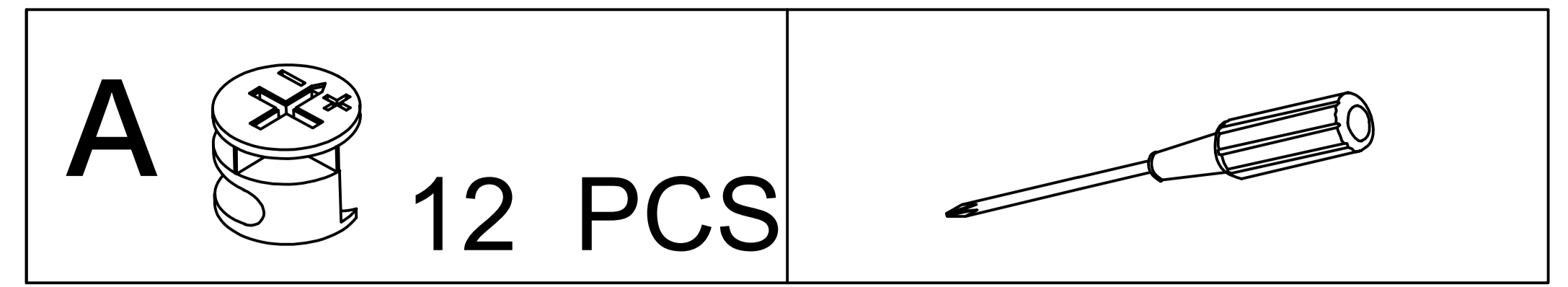
- Screw the cam screw (B) into the upper shelf and tighten it carefully.

# 3



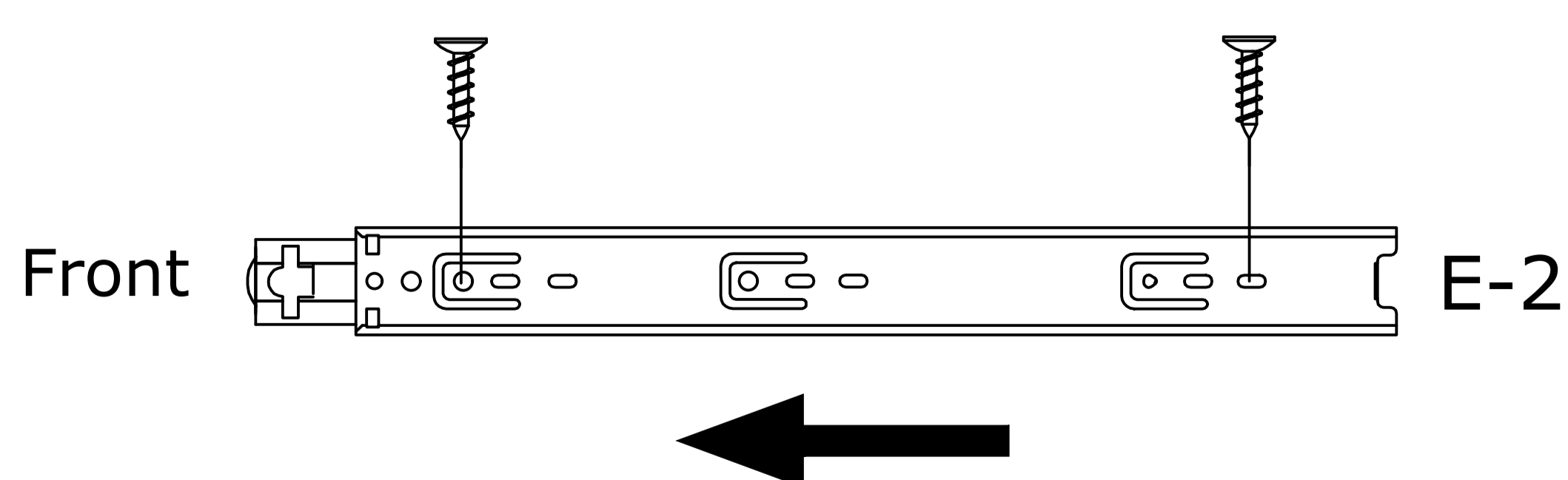
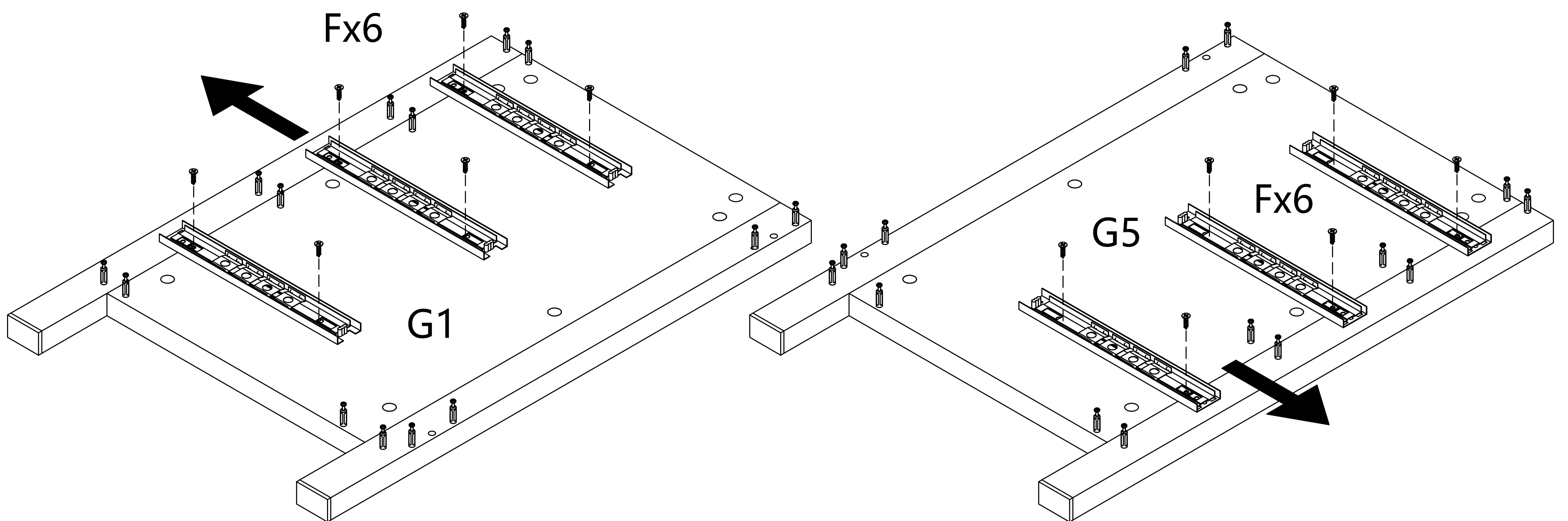
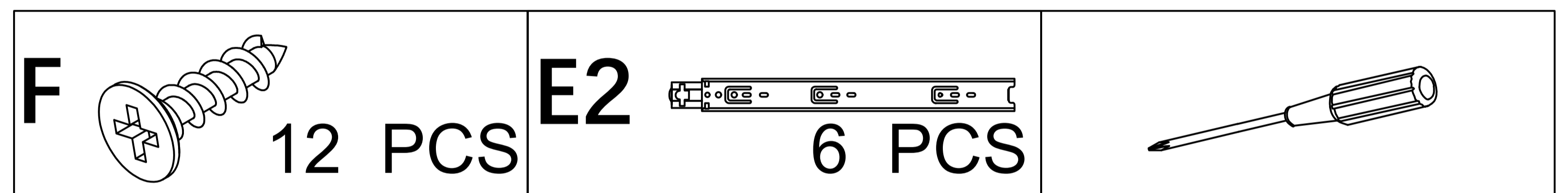
- Screw the cam screw (B) into the upper shelf, tighten it carefully, and then insert the wooden rod (D).

# 4



- Connect the board components and tighten the locking fastener (A).

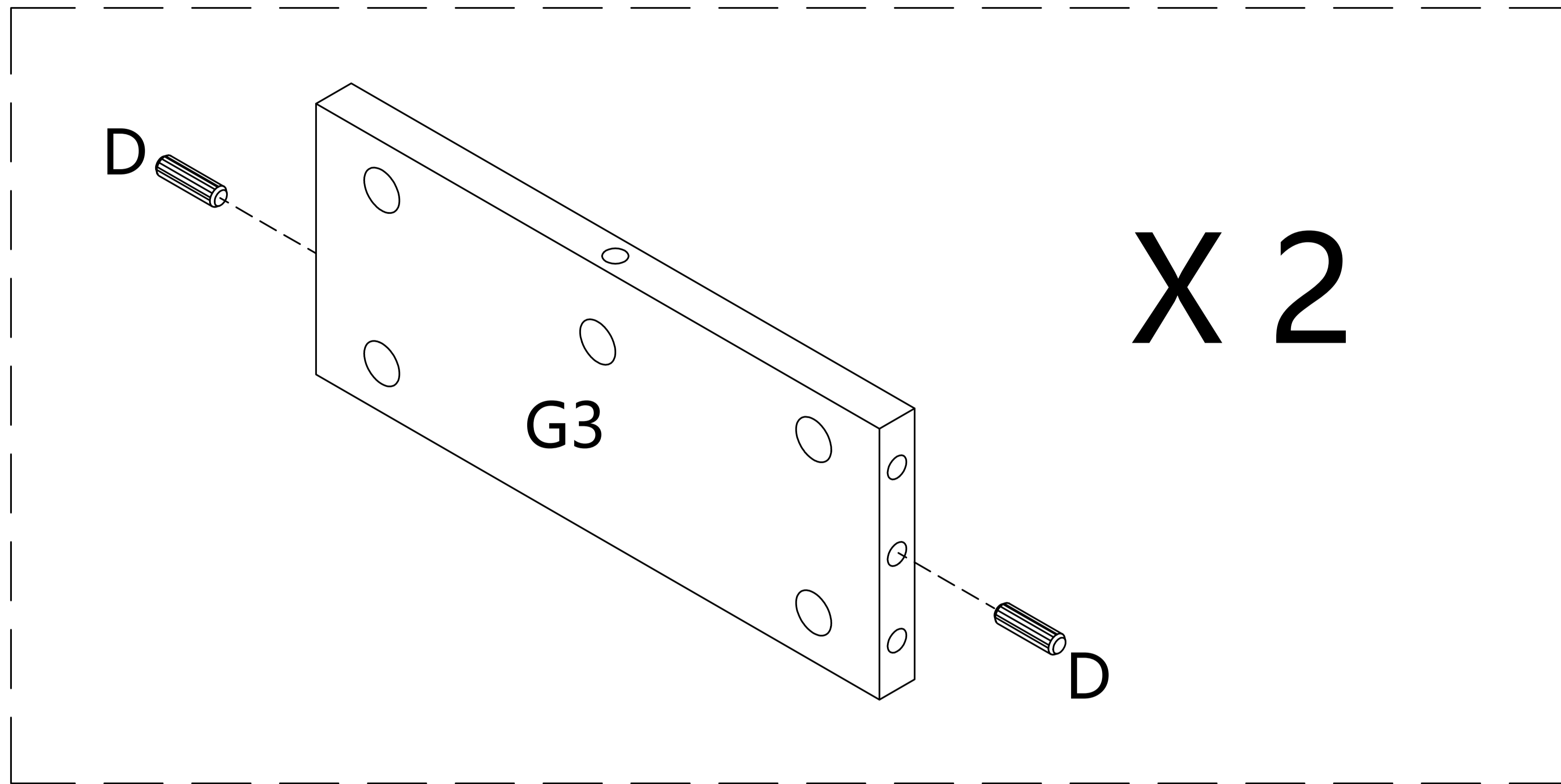
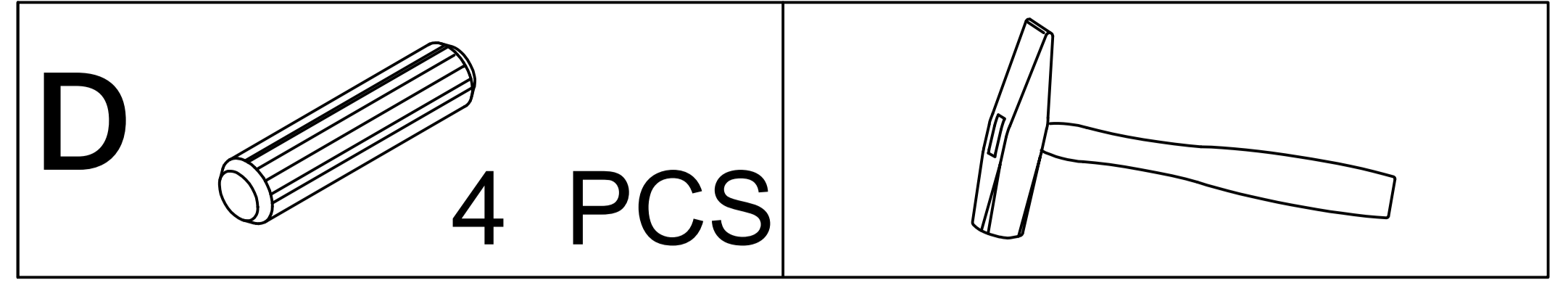
# 5



First, fix the first hole position with a screw, then move the track to fix the second hole position.

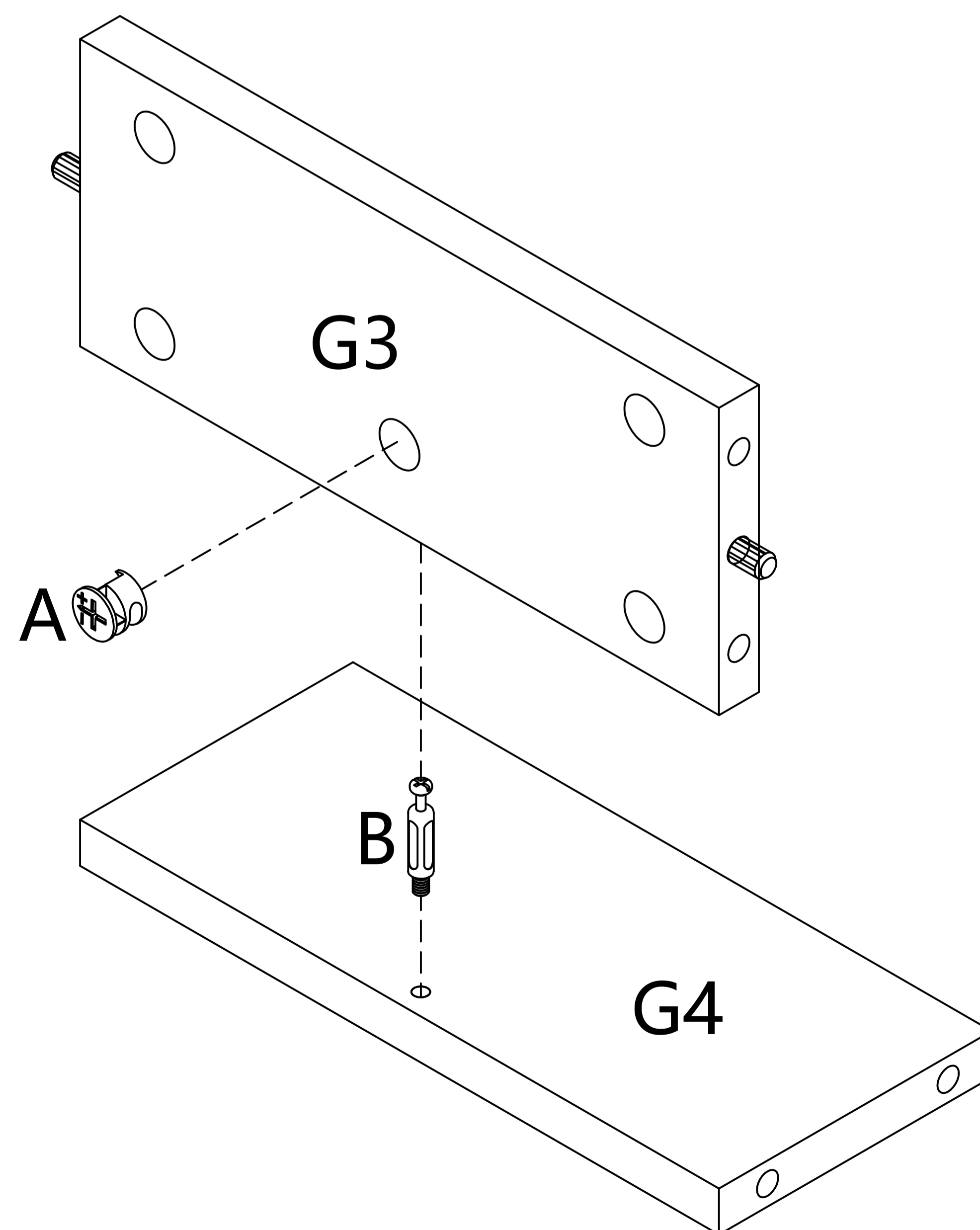
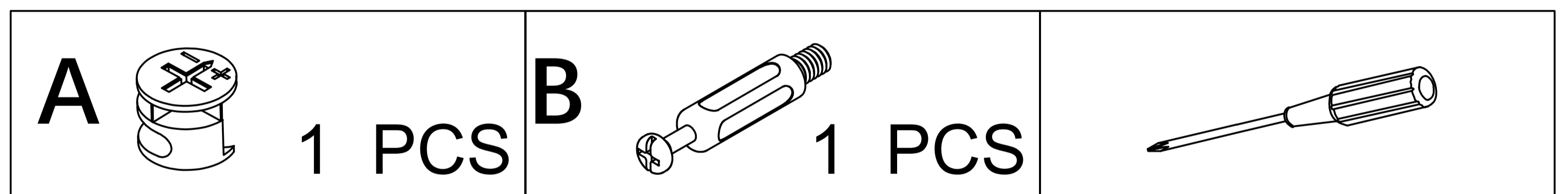
- Secure the slide rail (E2) with screws (F).

# 6



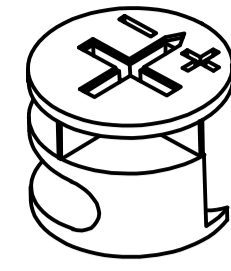
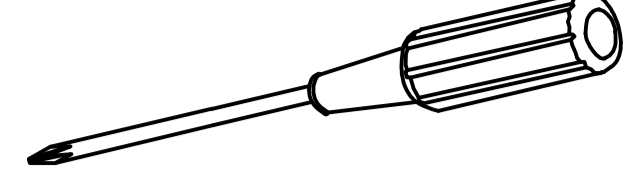
- Insert the wooden rod (D).

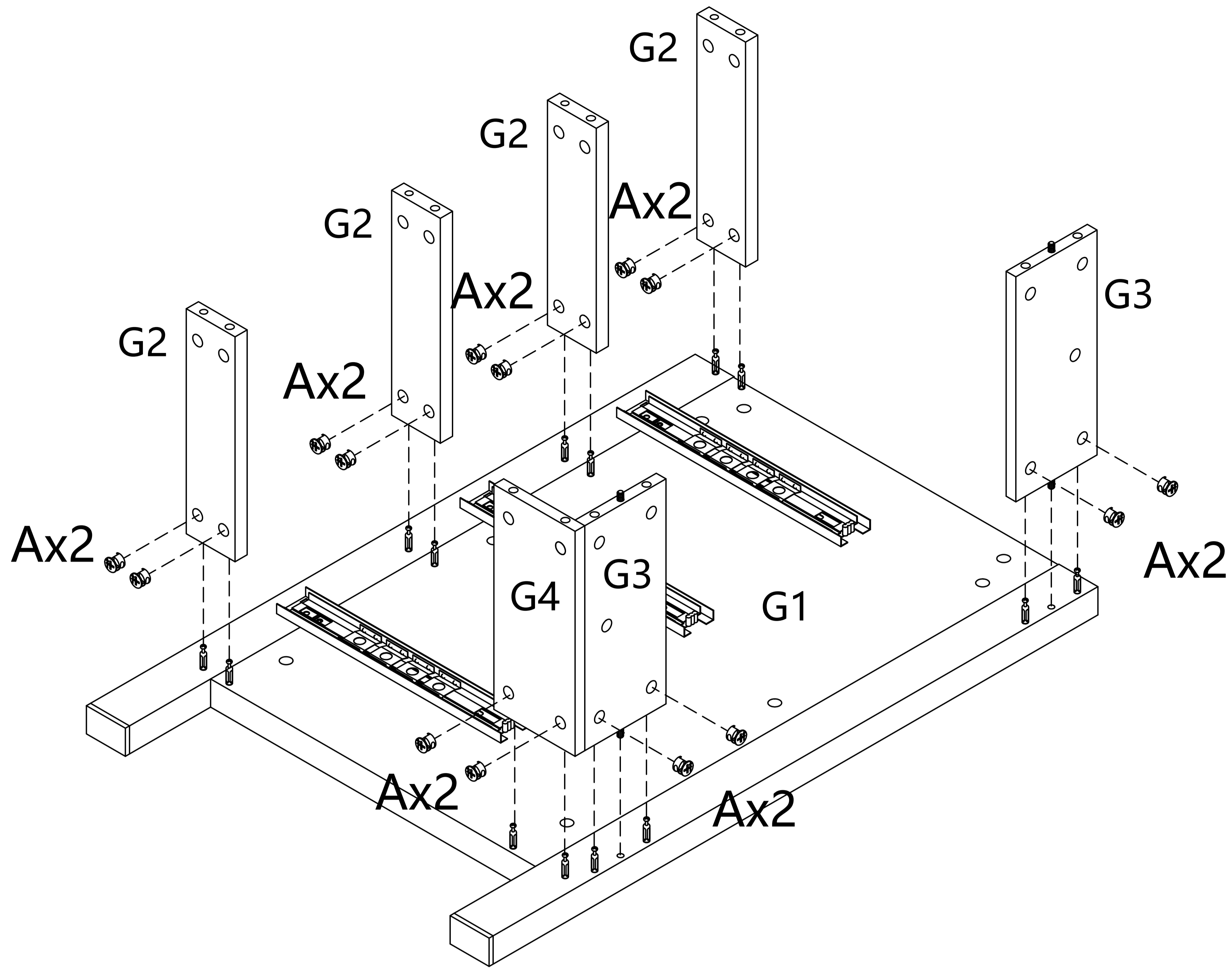
# 7



- Connect the board components and tighten the locking fastener (A).

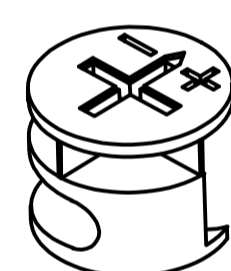
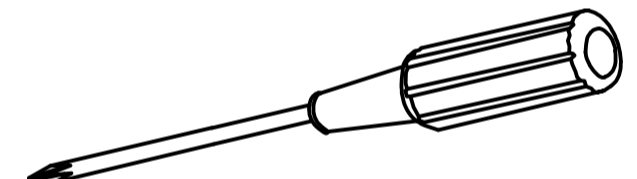
8

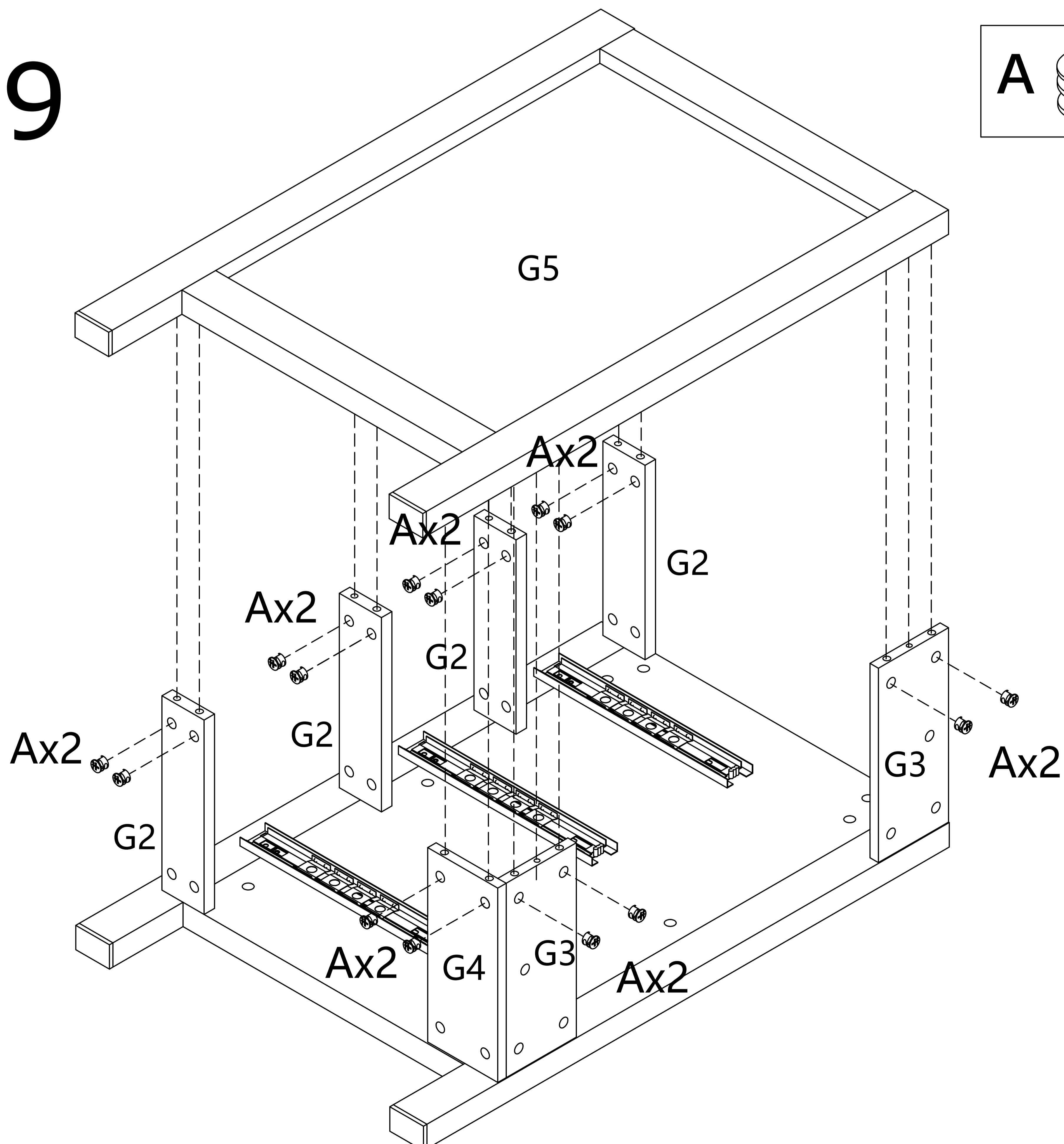
<b>A</b>  14 PCS	
---	---



- Connect the board components and tighten the locking fastener (A).

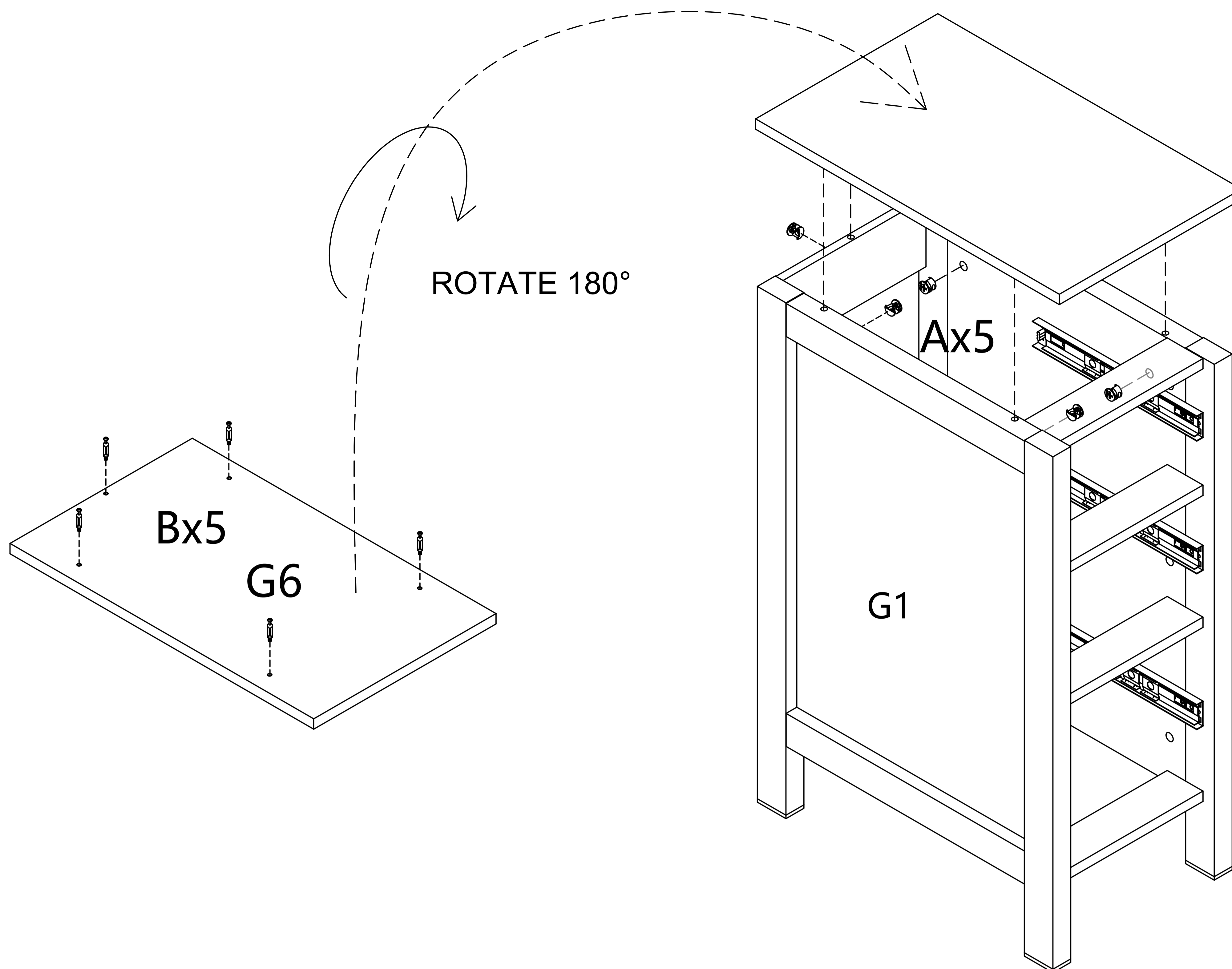
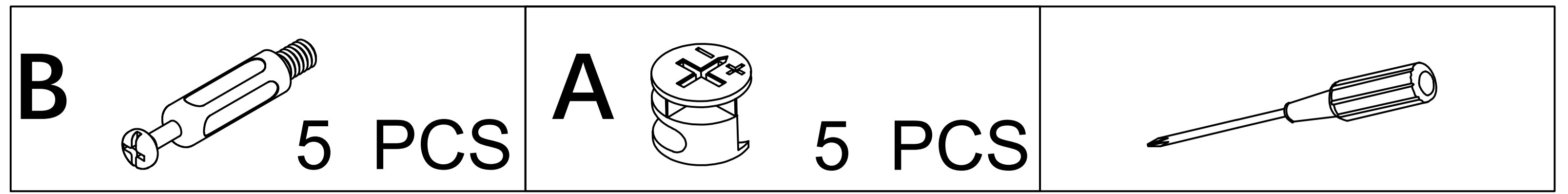
9

<b>A</b>  14 PCS	
---	---



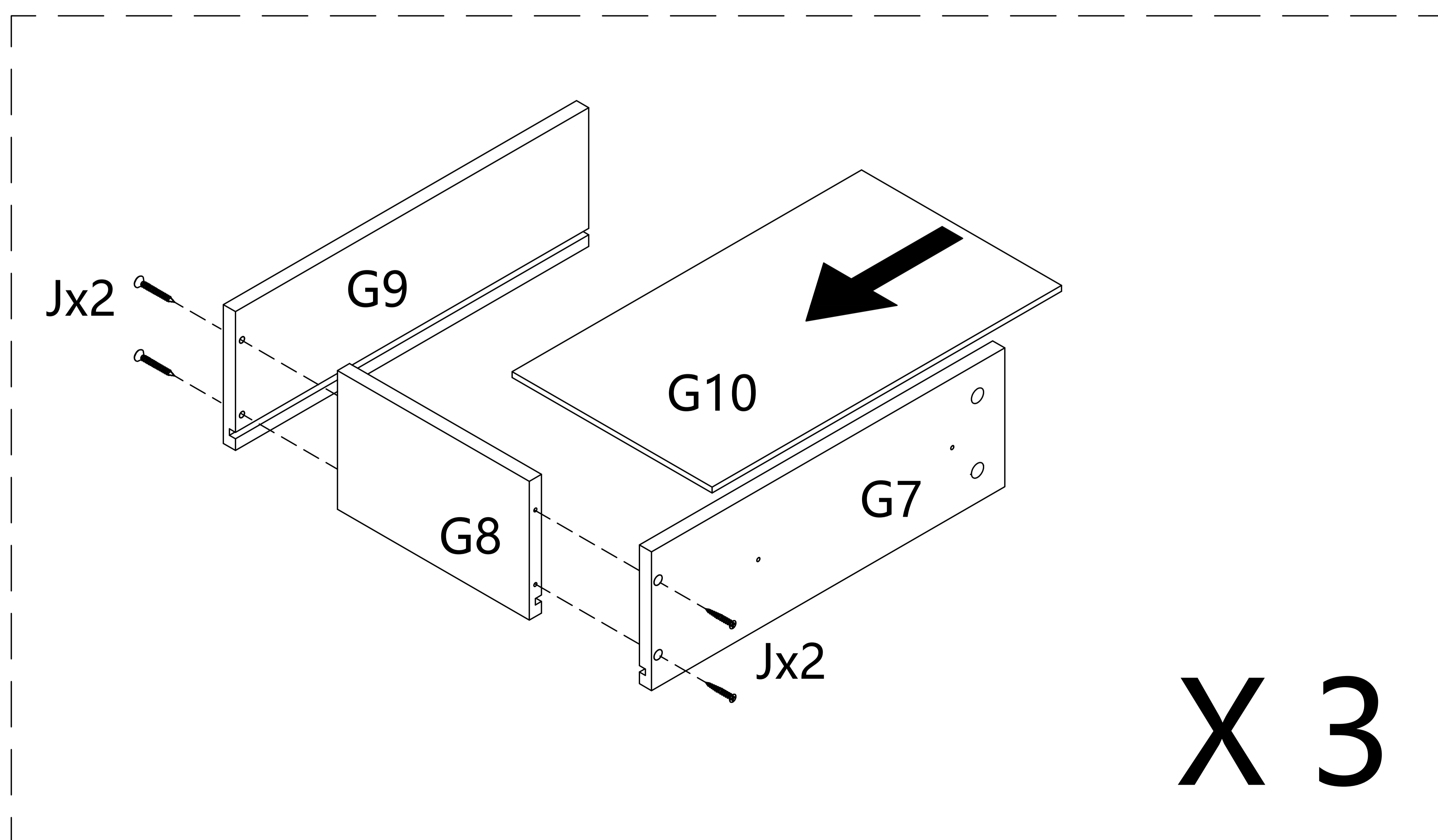
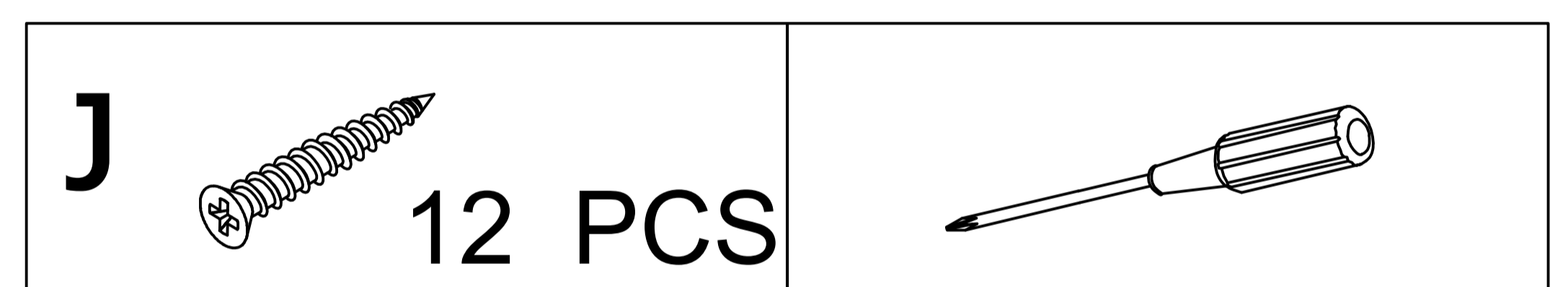
- Connect the board components and tighten the locking fastener (A).

# 10



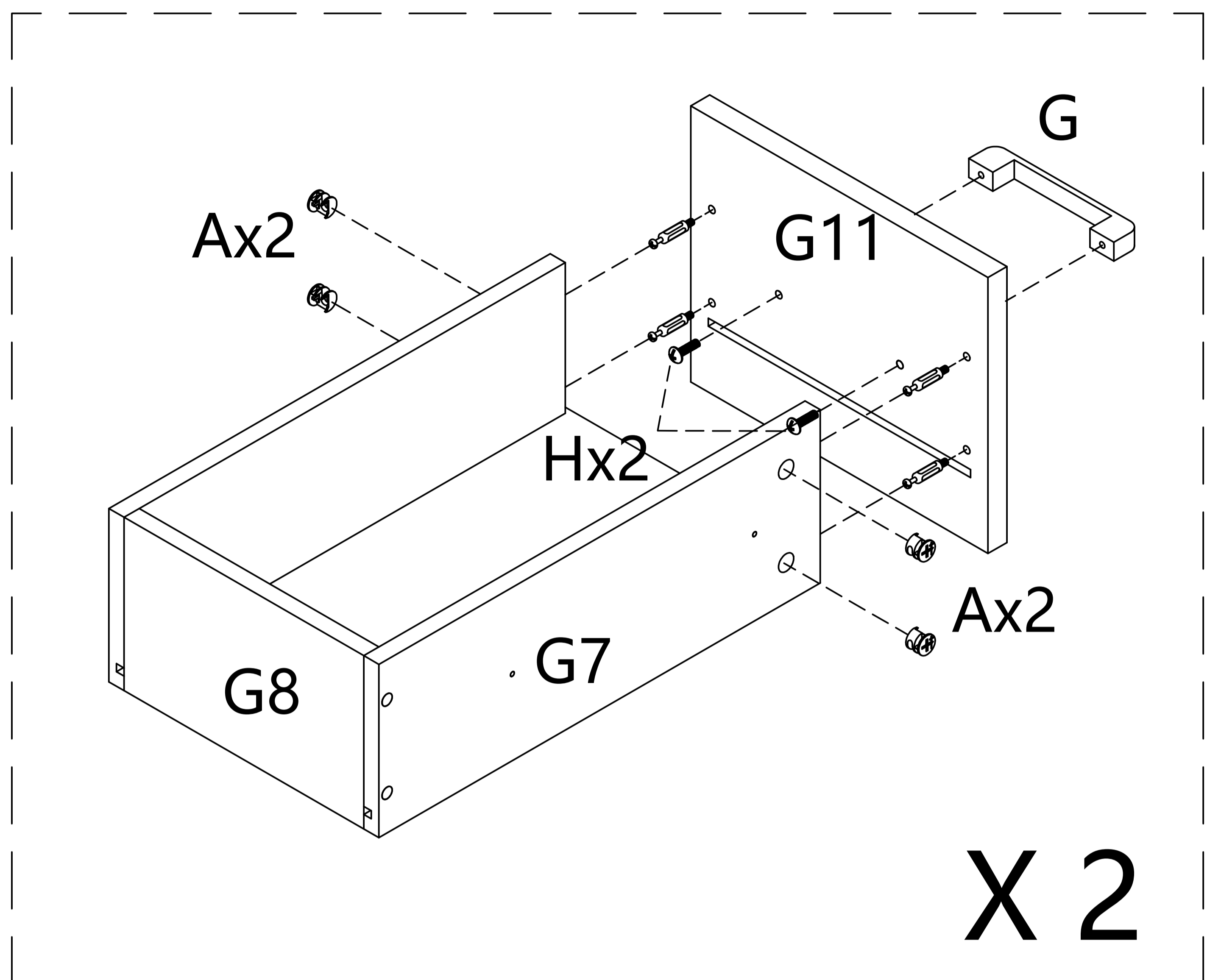
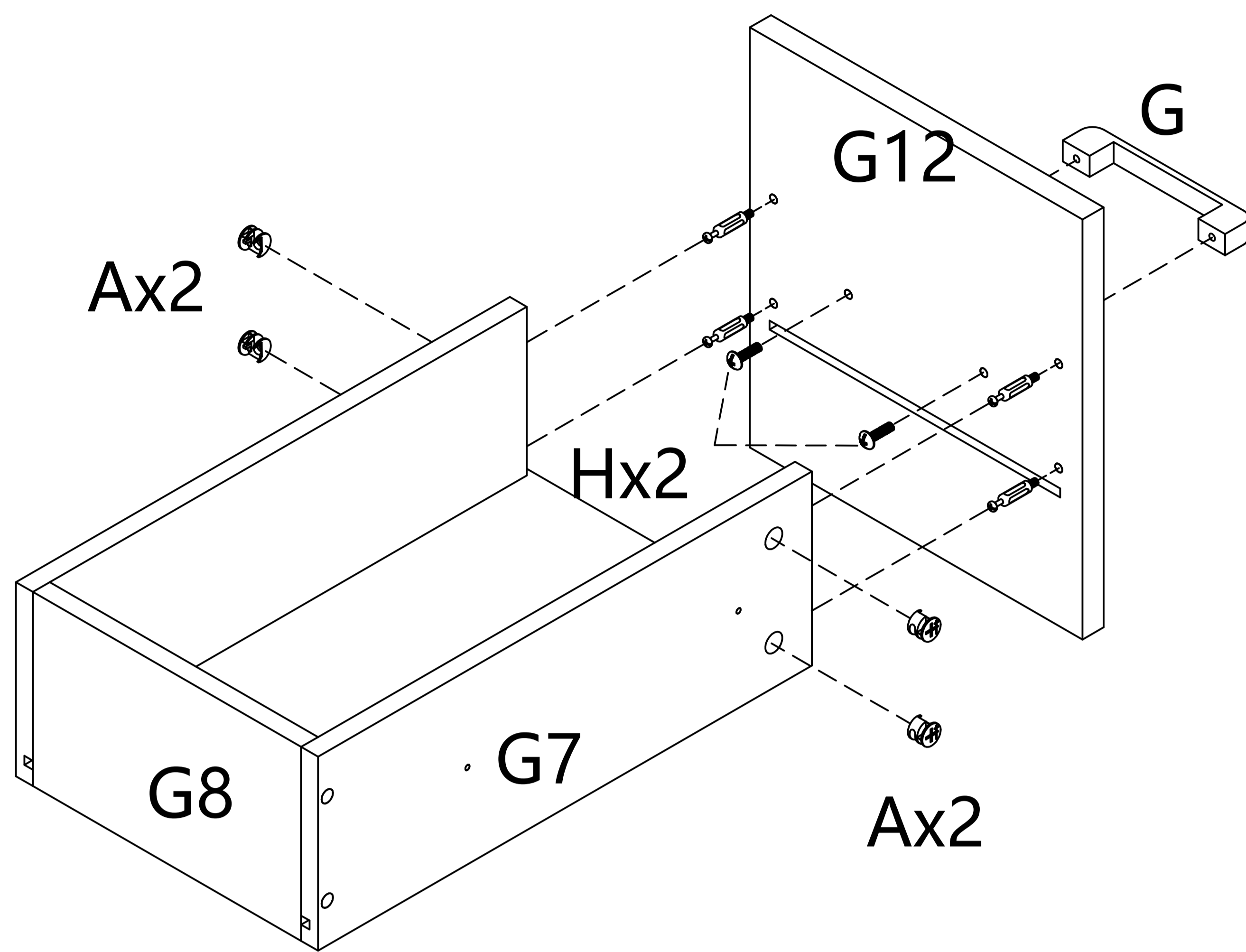
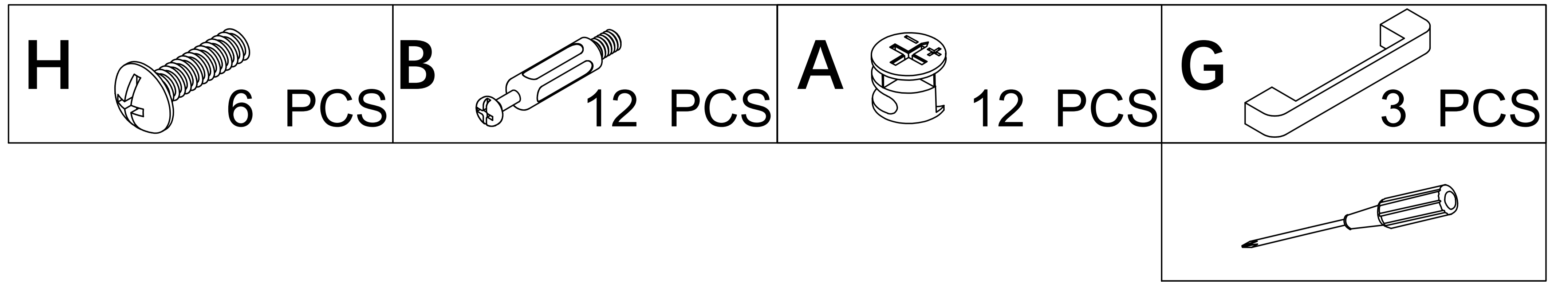
- Screw the cam screw (B) into the upper shelf, tighten it carefully, then connect the board components, and finally tighten the locking fastener (A).

# 11



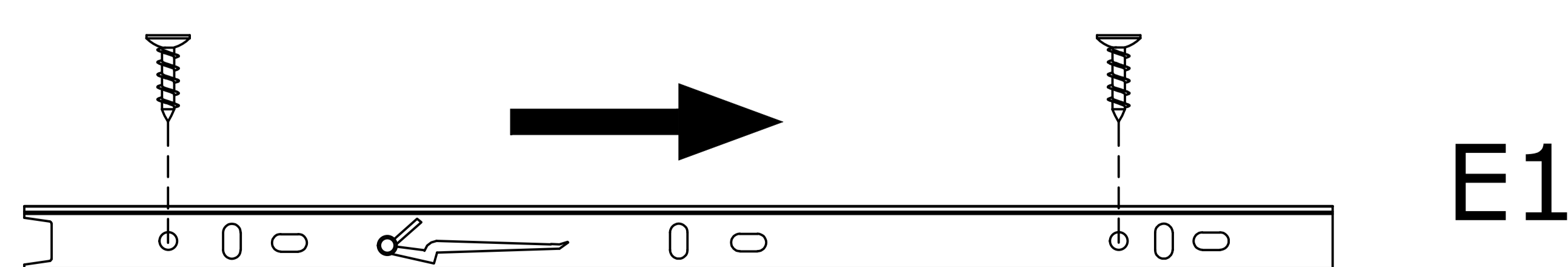
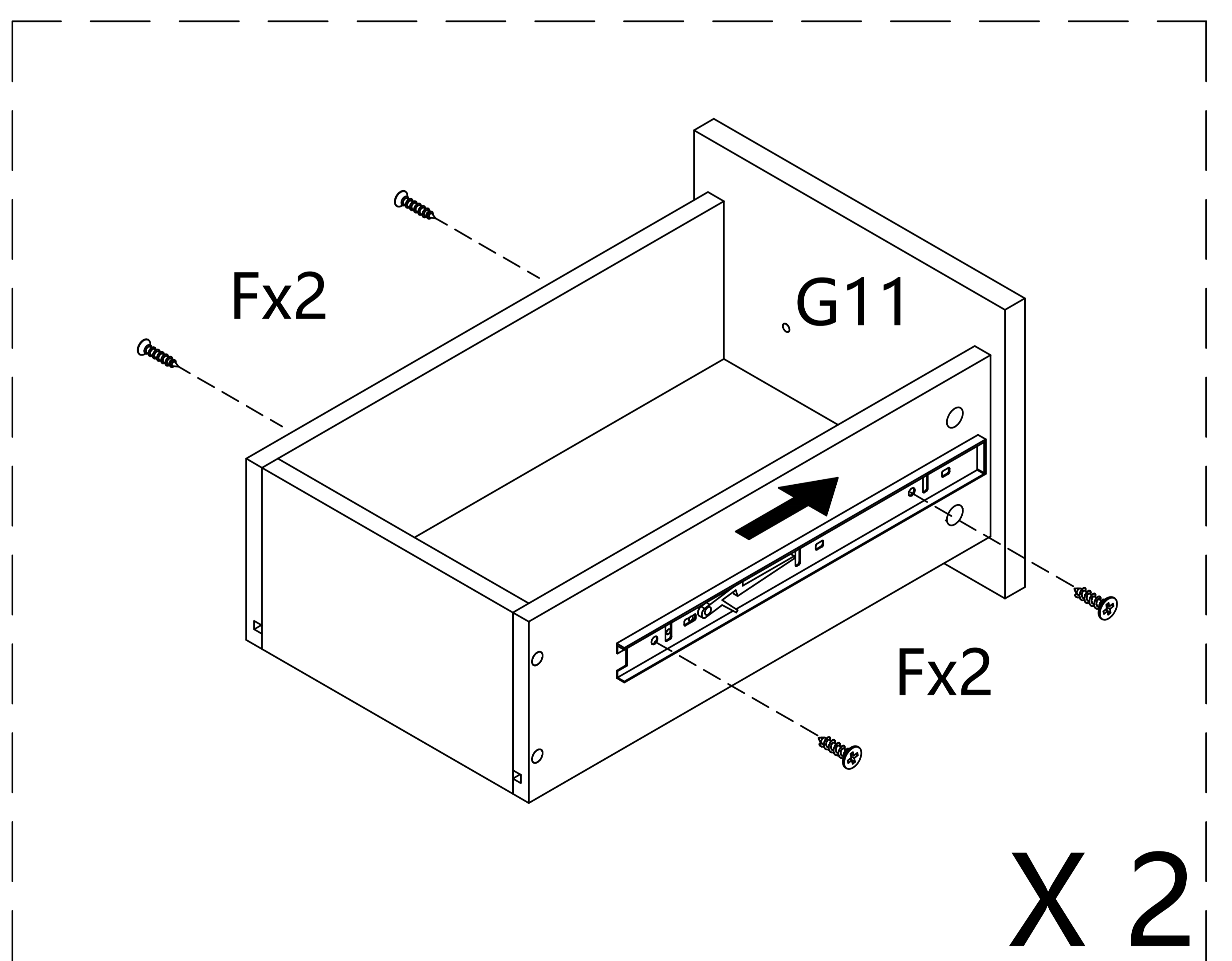
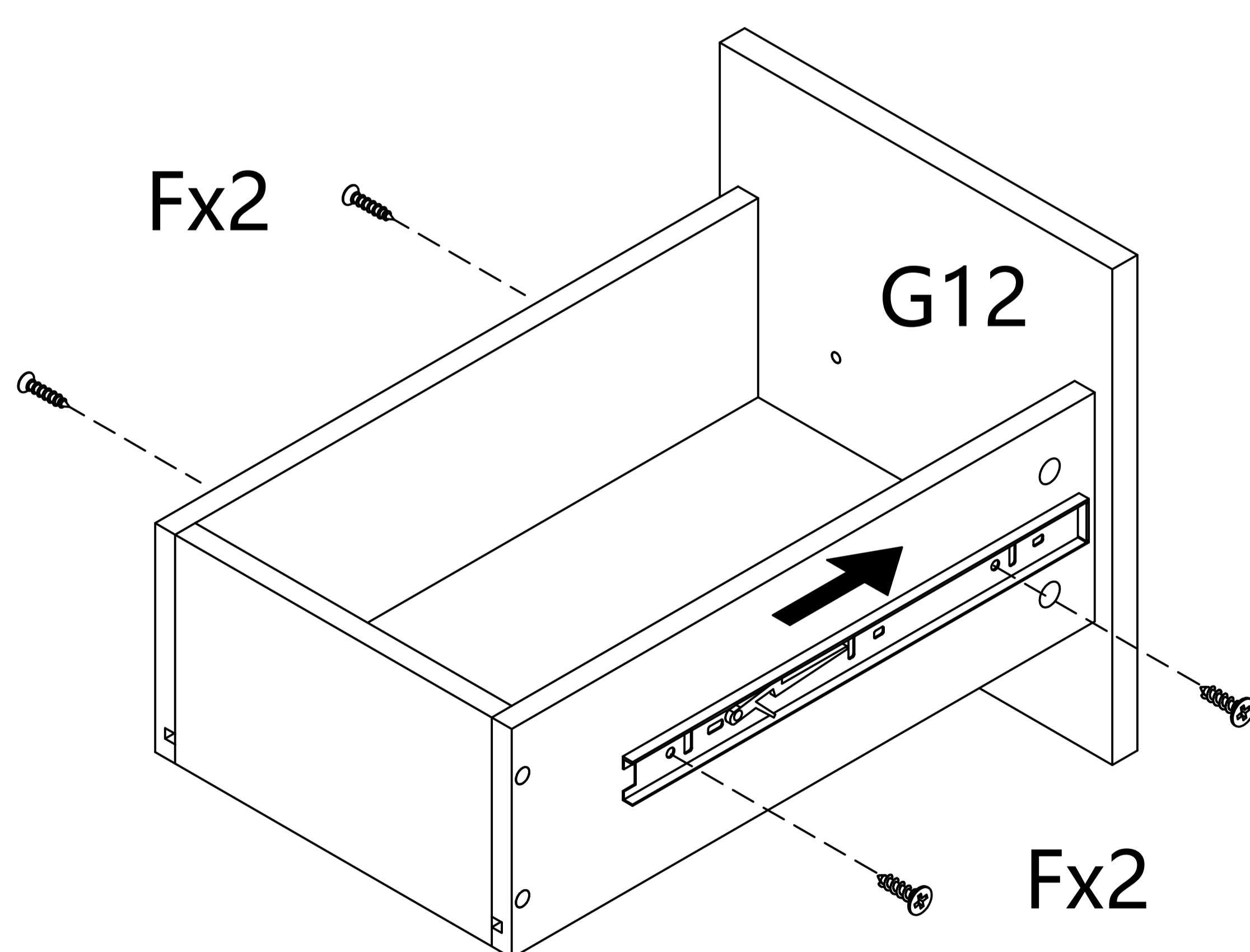
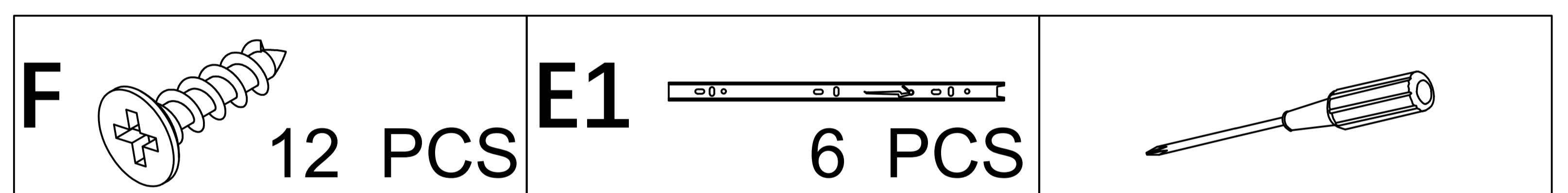
- Connect the board components and secure them with screws (J).

# 12



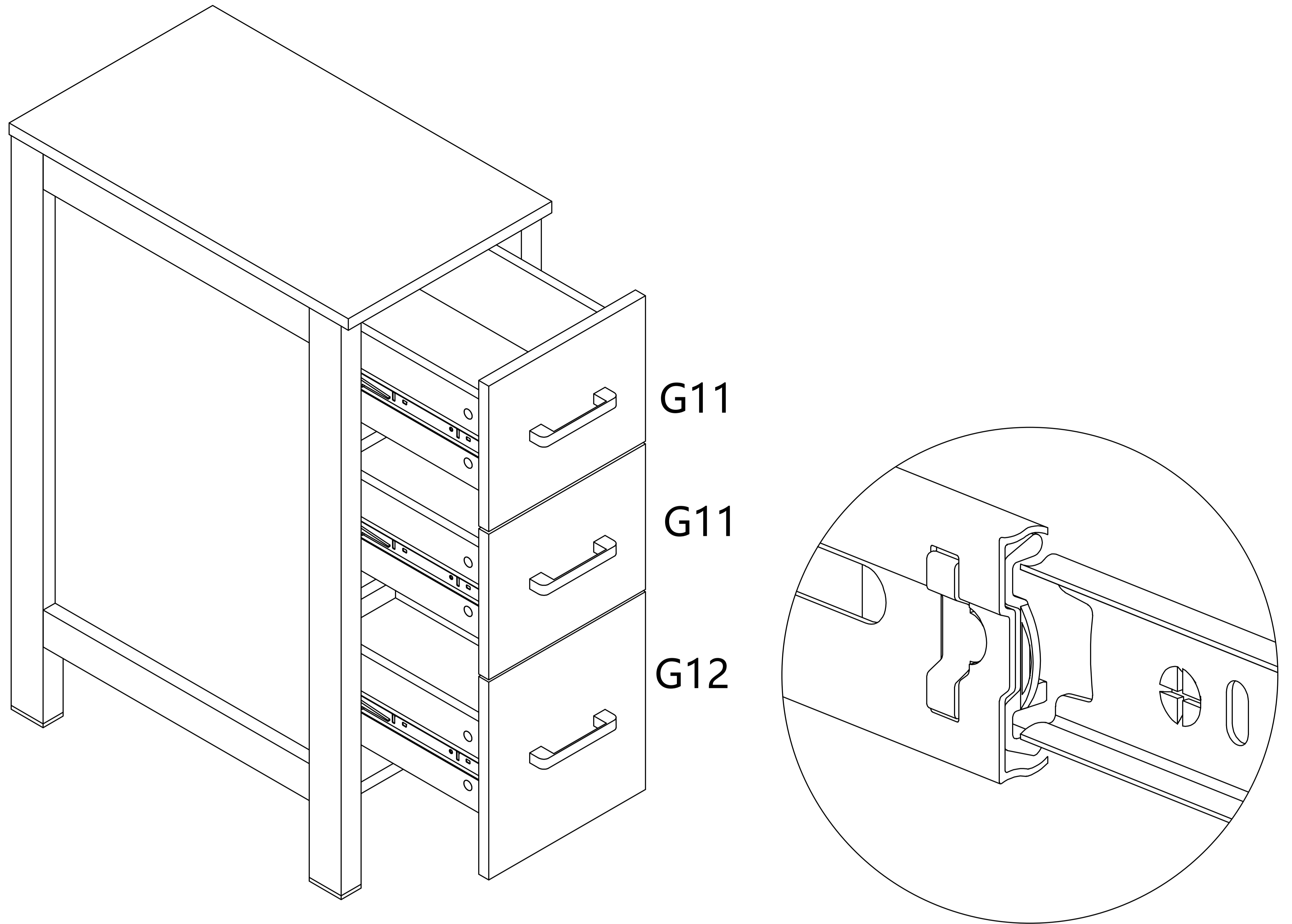
- Screw the cam screw (B) into the upper shelf and tighten it carefully, then connect the board components, fasten the locking fastener (A), and finally connect part (G) using screw (H).

# 13



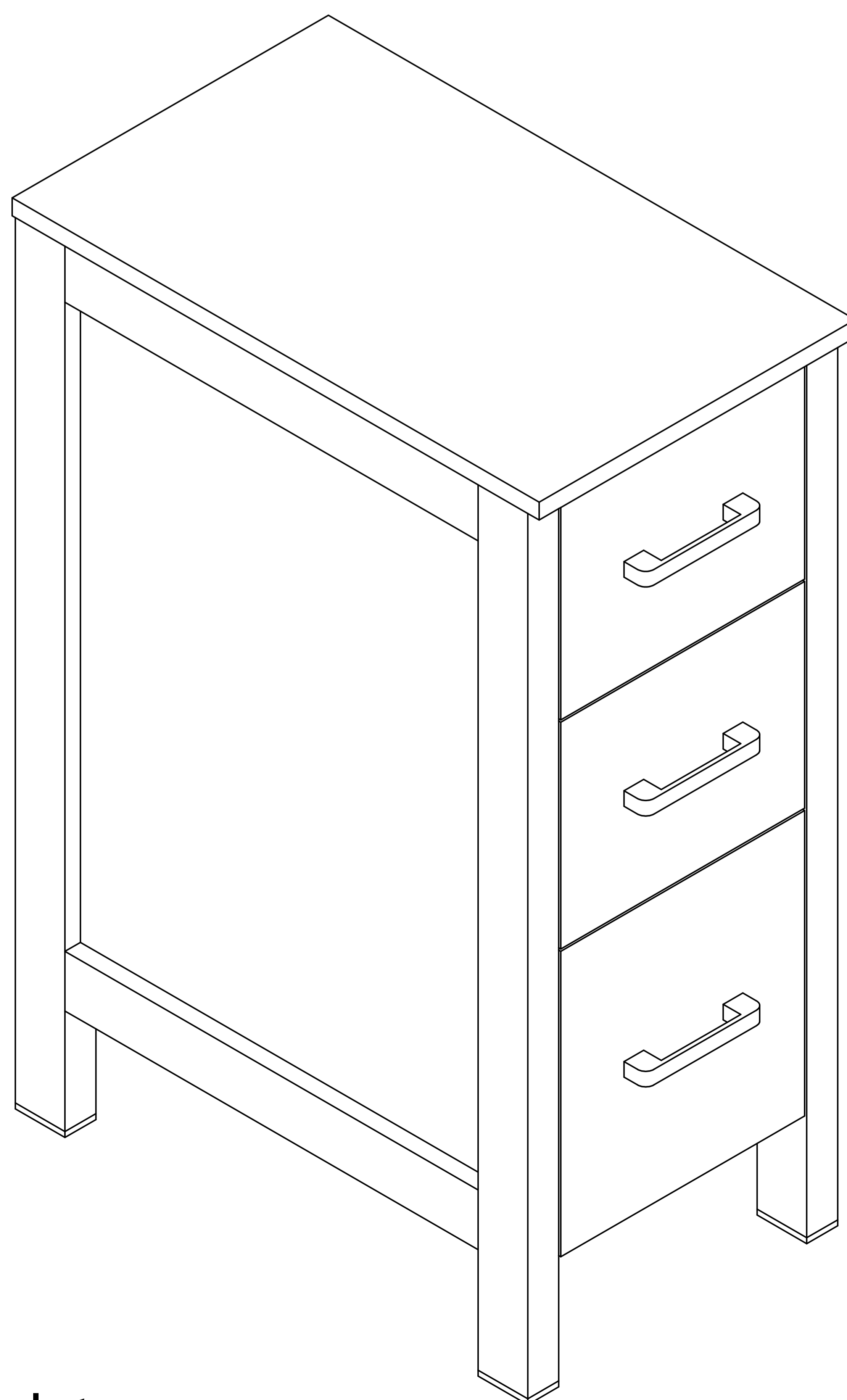
- Secure the slide rail (E1) with screws (F).

# 14



- Install the drawer.

# 15



- Installation is complete.

# THANK YOU

Thank you for choosing our product. We sincerely hope that the assembly process has been smooth and enjoyable for you. If you have any questions or suggestions during the use of the product, please feel free to contact us.

Contact number: (323)-393-8260 at EST 9AM-1PM  
E-mail: [service@eclifeusa.com](mailto:service@eclifeusa.com)

