

*ASSEMBLY INSTRUCTIONS*  
*COASTER FINE FURNITURE*



*Fine Furniture for every stage DE life*

**708127**  
**END TABLE**

ITEM:708127



# ASSEMBLY INSTRUCTIONS

## ASSEMBLY TIPS:

1. Remove hardware from box and sort by size.
2. Please check to see that all hardware and parts are present prior to start of assembly.
3. Please follow attached instructions in the same sequence as numbered to assure fast & easy assembly.



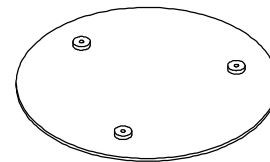
## WARNING!

1. Don't attempt to repair or modify parts that are broken or defective. Please contact the store immediately.
2. This product is for home use only and not intended for commercial establishments.

ASSEMBLY TIME 15 MINUTES

## PARTS IDENTIFICATION

A GLASS TOP



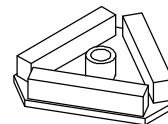
1PC

B METAL LEG



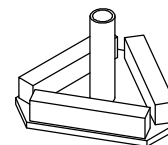
3PCS

C TRIANGLE TOP COVER



1PC

D TRIANGLE BOTTOM COVER



1PC

Z

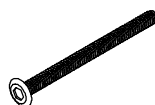
## HARDWARE IDENTIFICATION

1 SHORT BOLT  
(1/4" x 35mm SR)



3PCS

2 LONG BOLT  
(1/4" x 56mm SR)



1PC

3 ADHESIVE



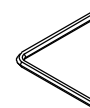
3PCS

4 CAP



3PCS

5 ALLEN WRENCH  
(4mm)



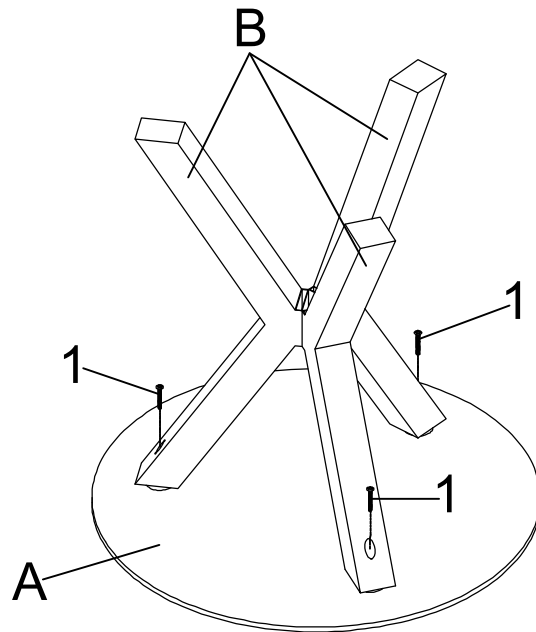
1PC

ITEM:708127

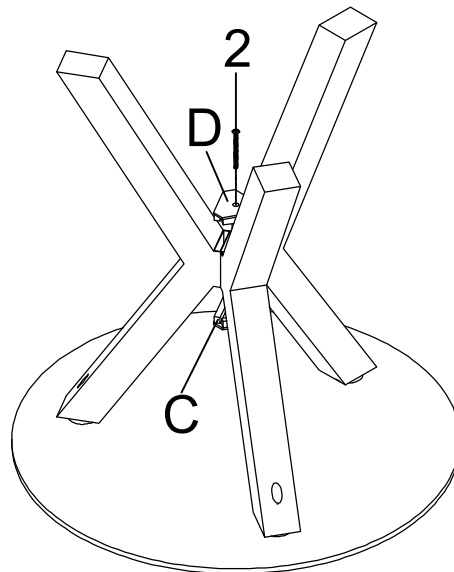


# ASSEMBLY INSTRUCTIONS

**STEP 1** Do not tighten until each step is completed or instructed.



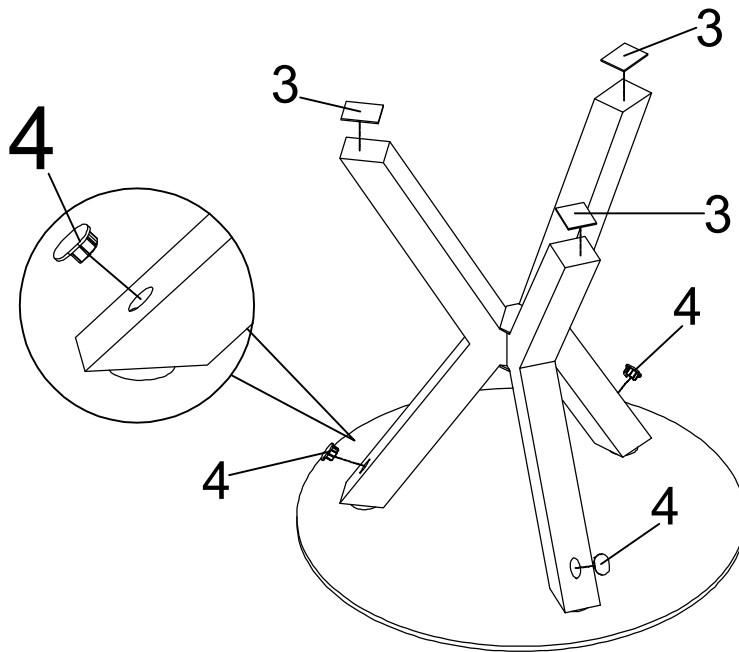
## STEP 2



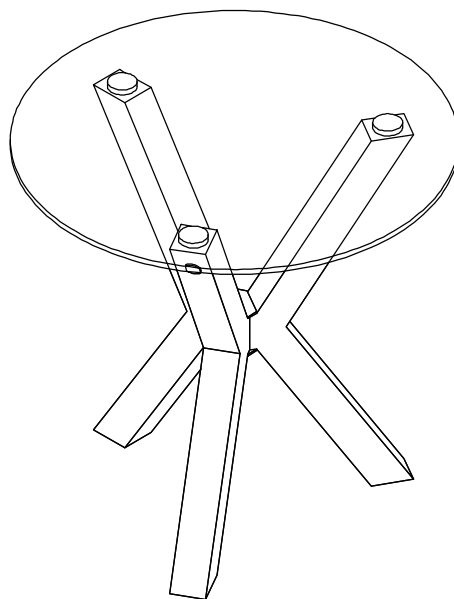
ITEM:708127

# ASSEMBLY INSTRUCTIONS

## STEP 3



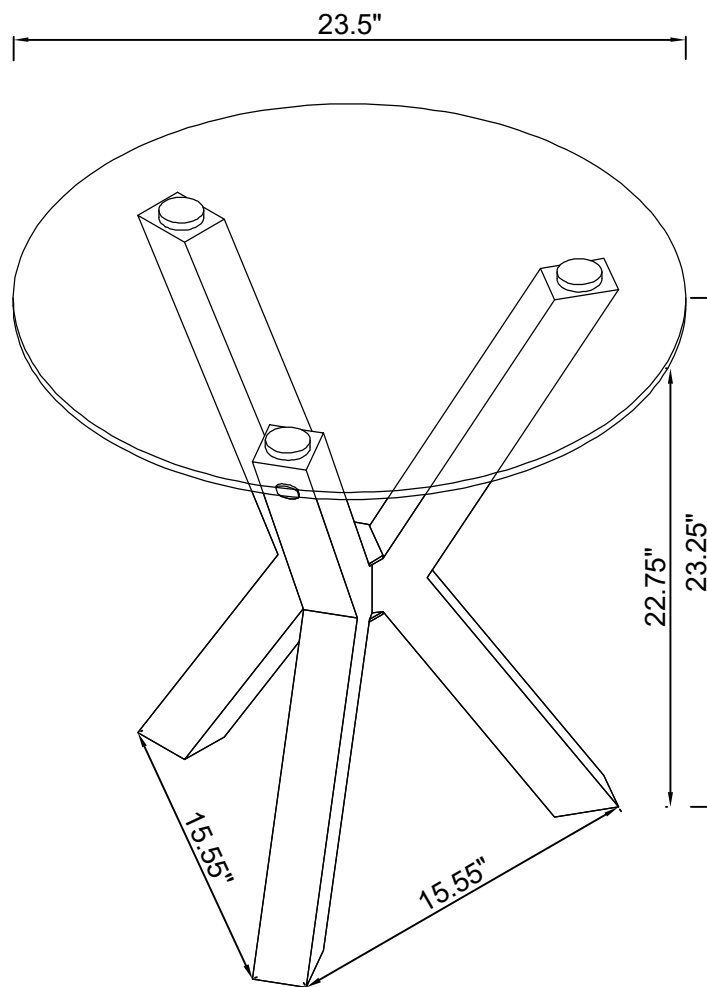
## STEP 4 COMPLETE



ITEM:708127  
ASSEMBLY INSTRUCTIONS



<b>Product Size : 597 DIA X 590H (MM)</b>
<b>Product Size : 23.5" DIA X 23.25"</b>



Note : Dimension tolerance  $\pm 5\%$