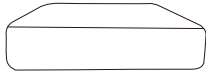
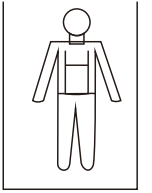


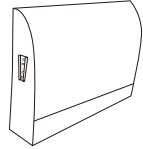
ASSEMBLY INSTRUCTION



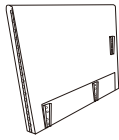
A*1



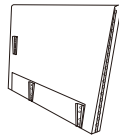
B*1



C*1



D*1 LEFT



D*1 RIGHT

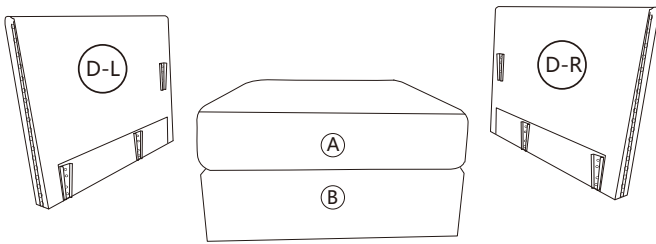


E*4

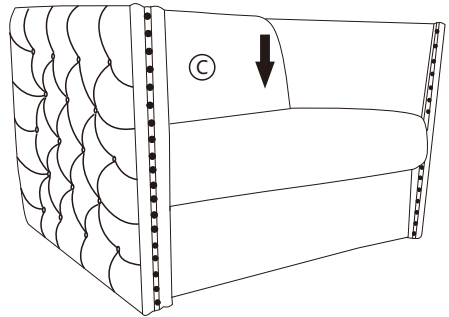


G*4

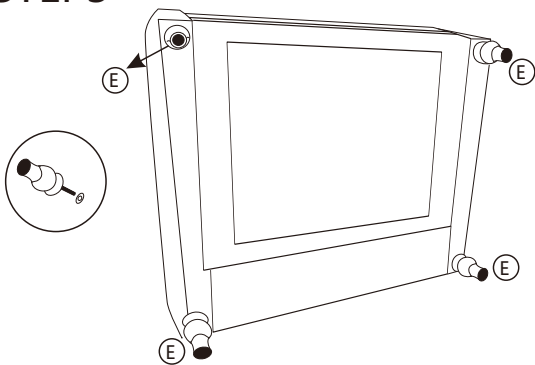
STEP1



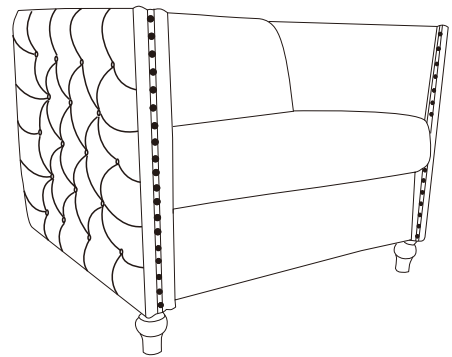
STEP2



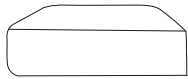
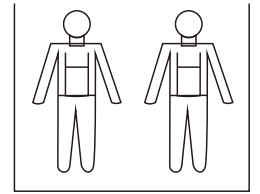
STEP3



STEP4



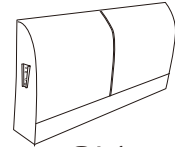
ASSEMBLY INSTRUCTION



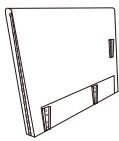
A*2



B*1



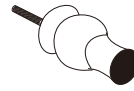
C*1



D*1 LEFT



D*1 RIGHT

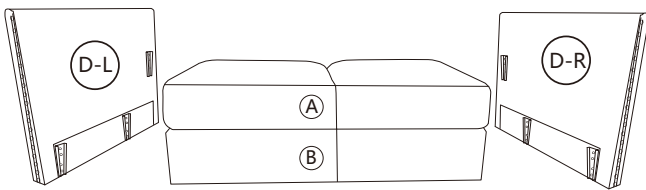


E*4

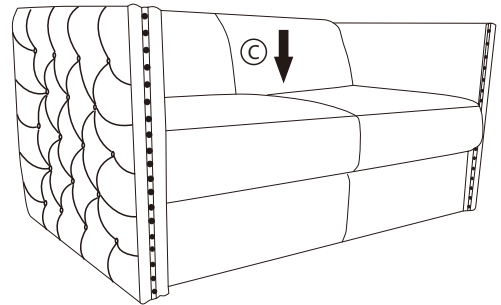


G*4

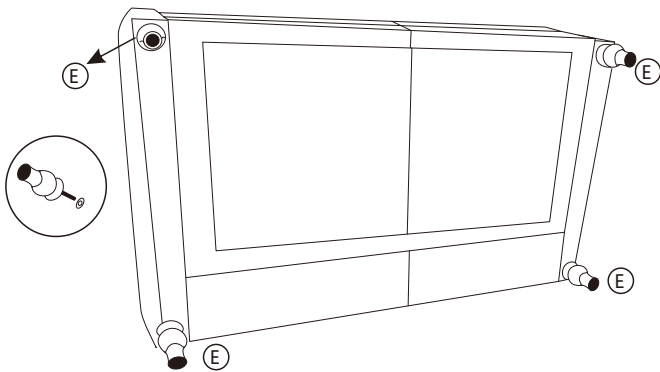
STEP1



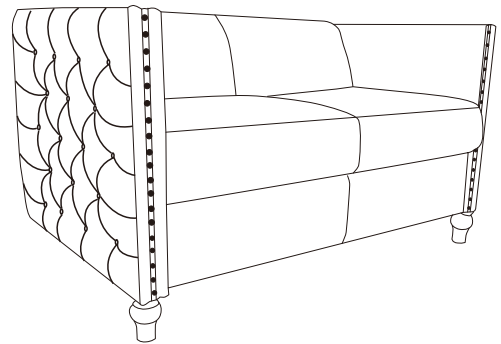
STEP2



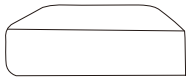
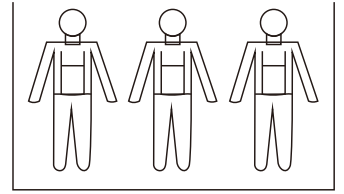
STEP3



STEP4



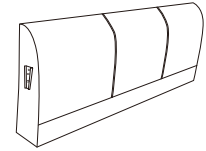
ASSEMBLY INSTRUCTION



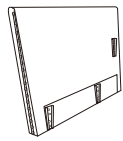
A*3



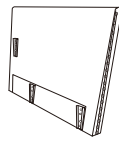
B*1



C*1



D*1 LEFT



D*1 RIGHT

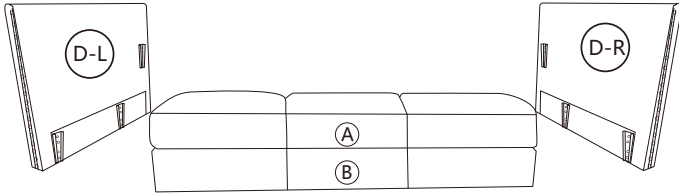


E*4

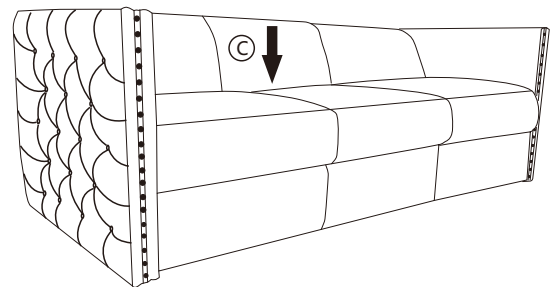


G*4

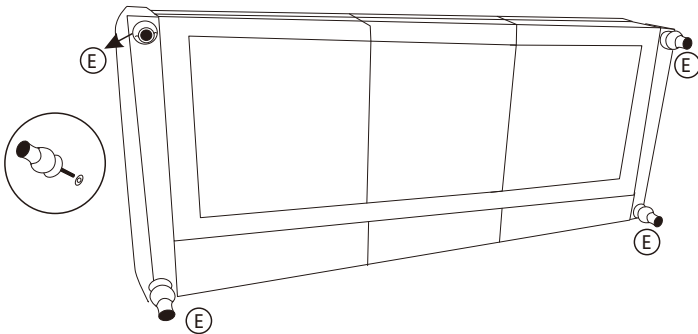
STEP1



STEP2



STEP3



STEP4

