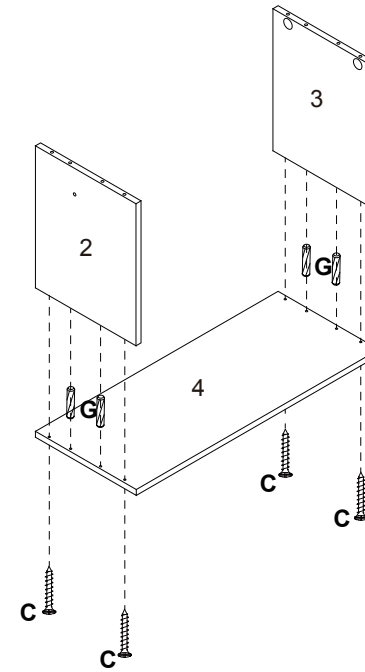


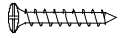



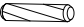



1

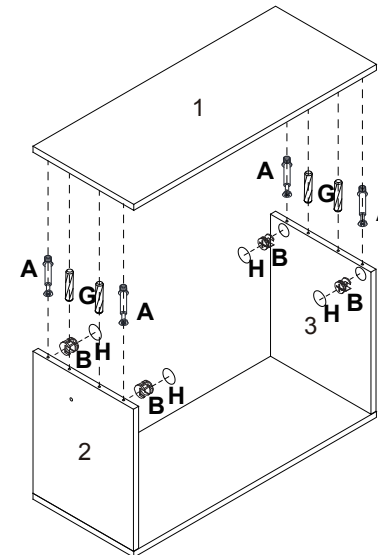
Attach piece 2 & 3 to piece 4 using wooden dowels (G), screws (C).



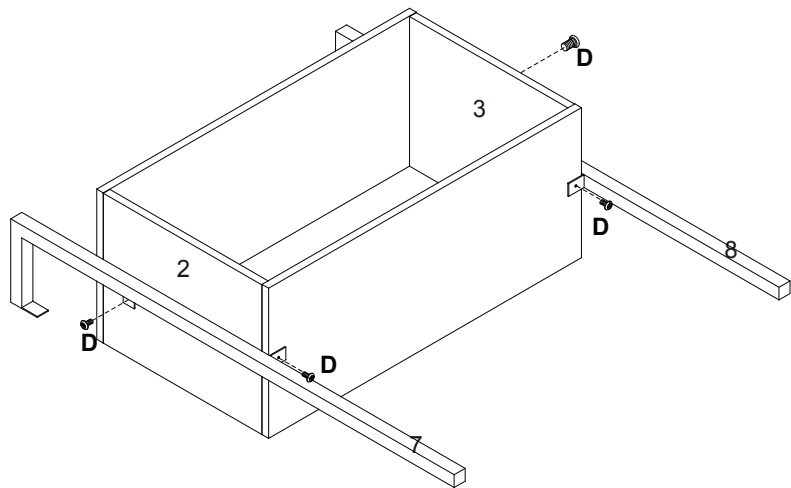
<b>A</b>		4 PCS
<b>B</b>		4 PCS
<b>C</b>		8 PCS
<b>D</b>		16 PCS
<b>E</b>		6 PCS
<b>F</b>		4 PCS
<b>G</b>		4 PCS
<b>H</b>		4 PCS

2

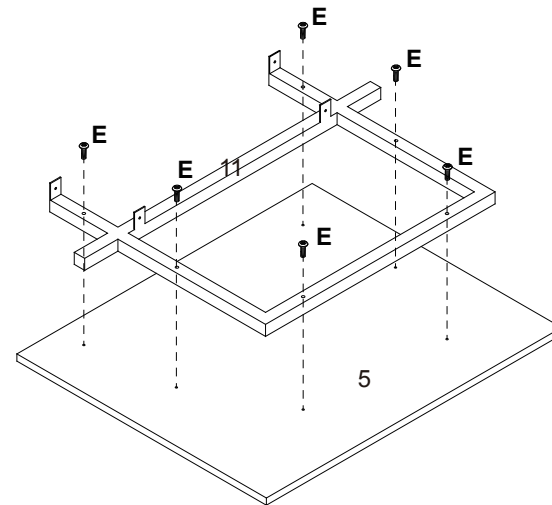
Then attach piece 1 using wooden dowels (G), cam dowels (A) and cam locks (B), tighten the cross dowels then attach screw covers (H)



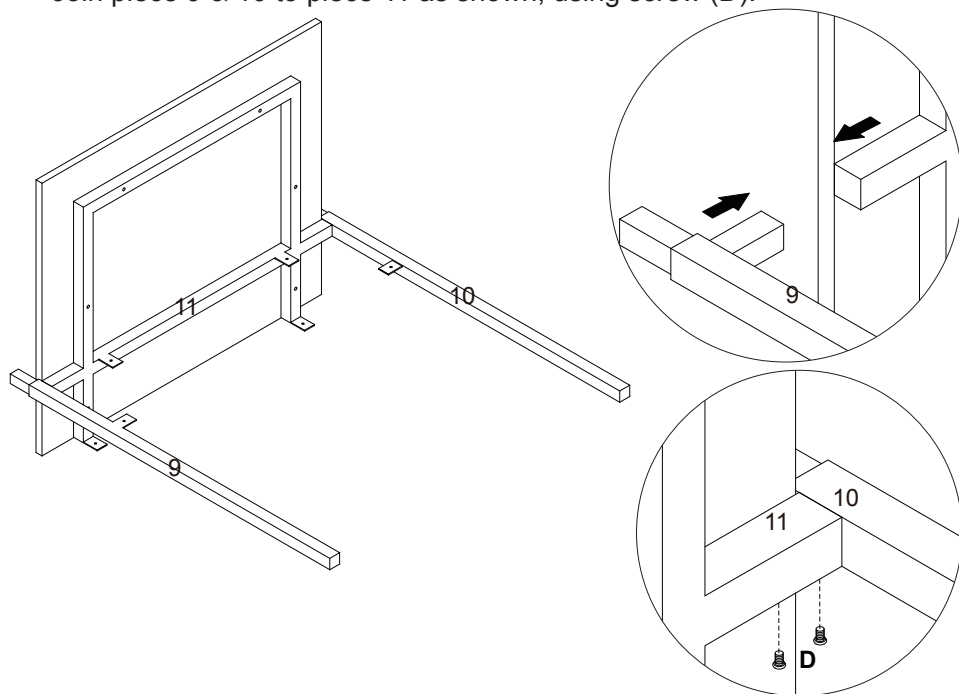
3 Attach section to piece 7 & 8 using screw (D).



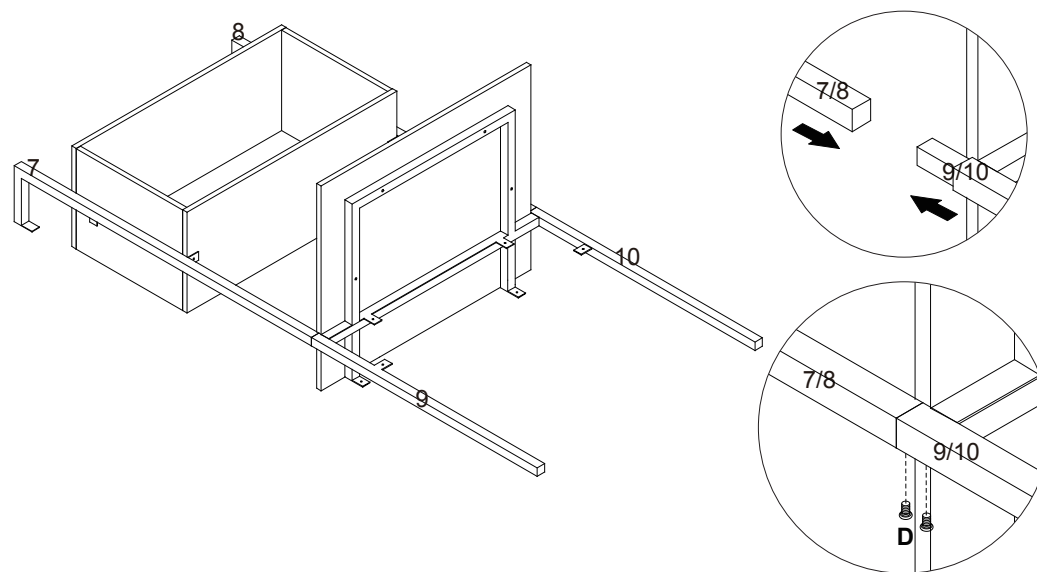
4 Attach piece 11 to piece 5 using screw (E).



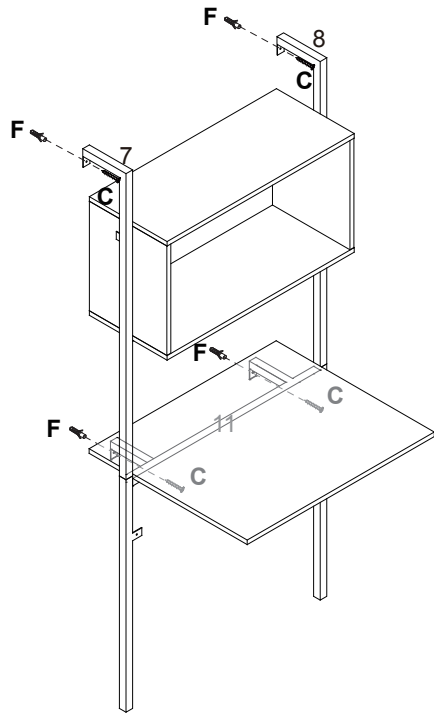
5 Join piece 9 & 10 to piece 11 as shown, using screw (D).



6 Join 2 sections you have just made together as shown, using screw (D).



**7** Secure the unit to a wall in your chosen location using wall plugs (F) and screws (C).



**8** Attach piece 6 to unit using screw (D).

