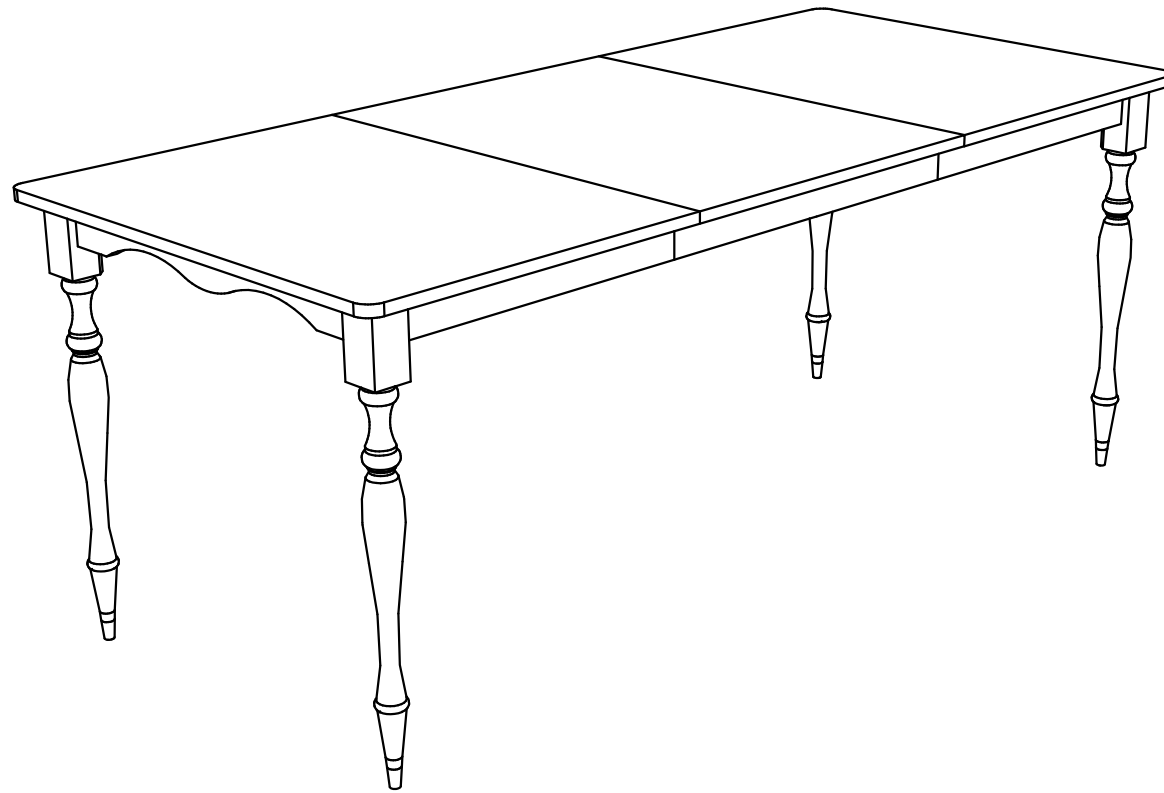


ASSEMBLY INSTRUCTION

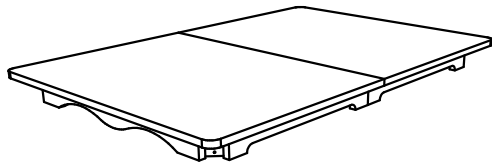
N717P170406

x1



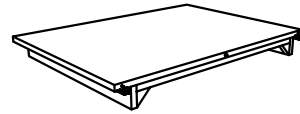
PARTS LIST - N717P170406

A



Quantity:
1 pc

B






Quantity:
1 pc

C



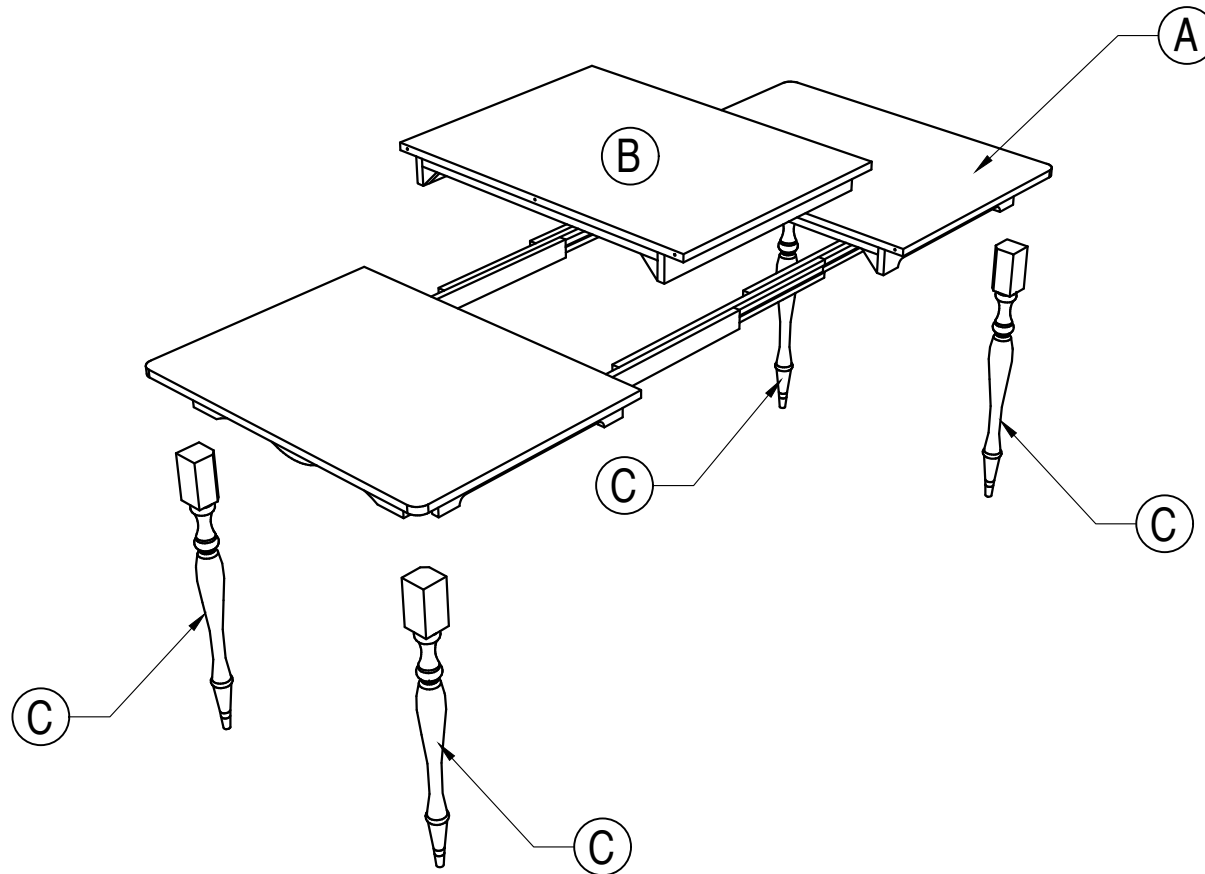
Quantity:
4 pcs

HARDWARE LIST - N717P170406

①	②	③
		
<p>Allen key Quantity: 1 pc</p>	<p>8x50mm Quantity: 8 pcs</p>	<p>8x19mm Quantity: 8pcs</p>

COMPONENTS - KEY DIAGRAM

N717P170406



x1

4

STEP 1

①



1 pc

②

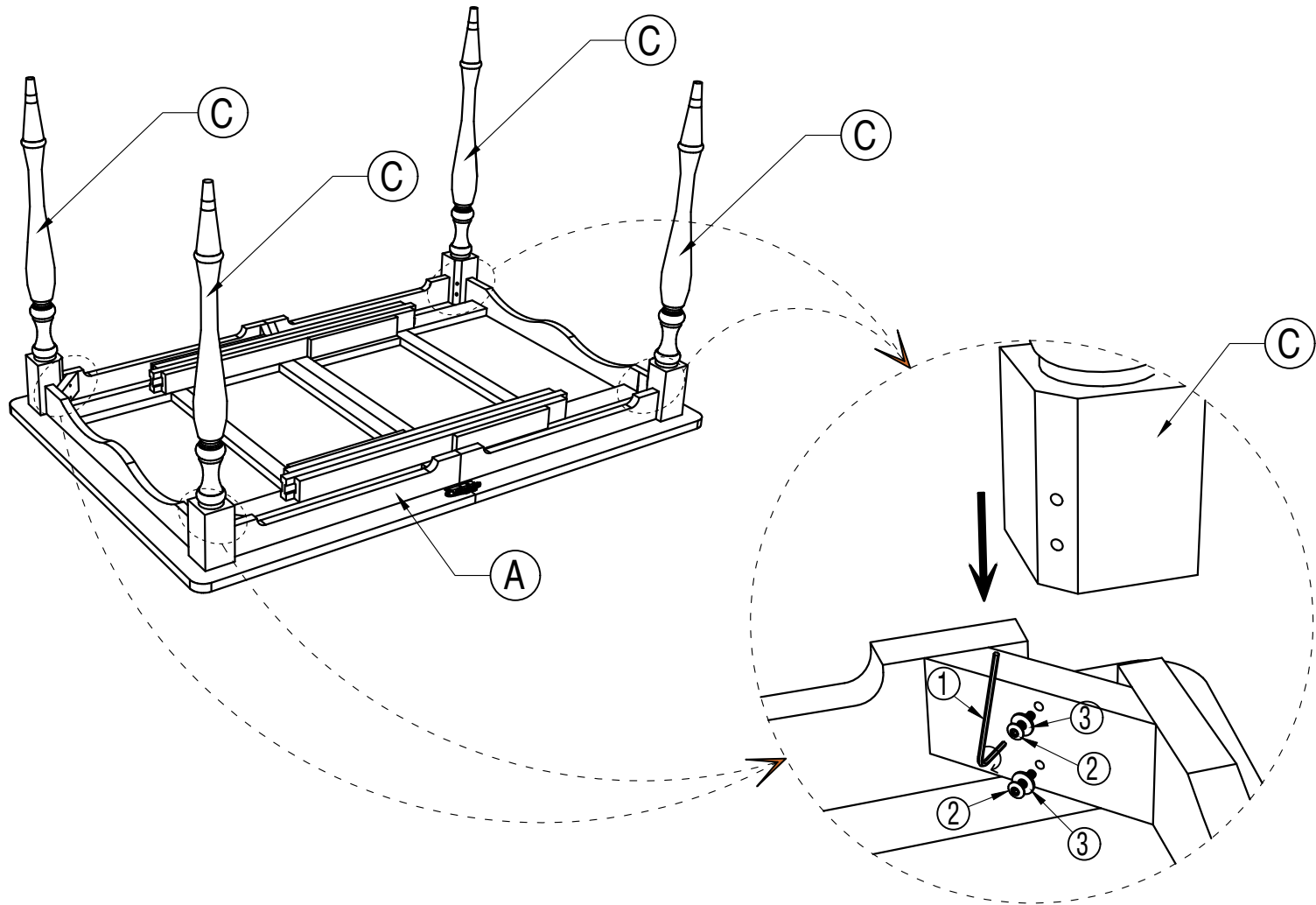


8x50mm
8 pcs

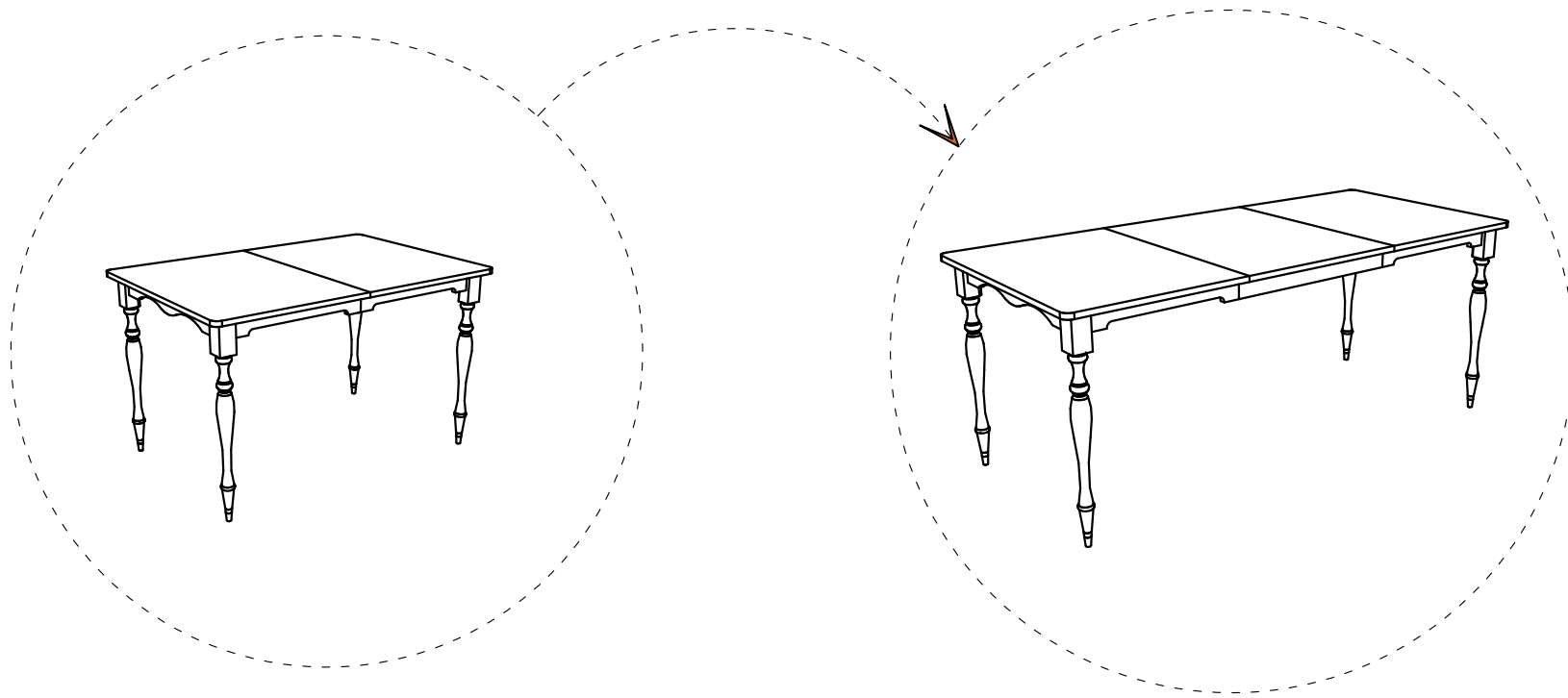
③



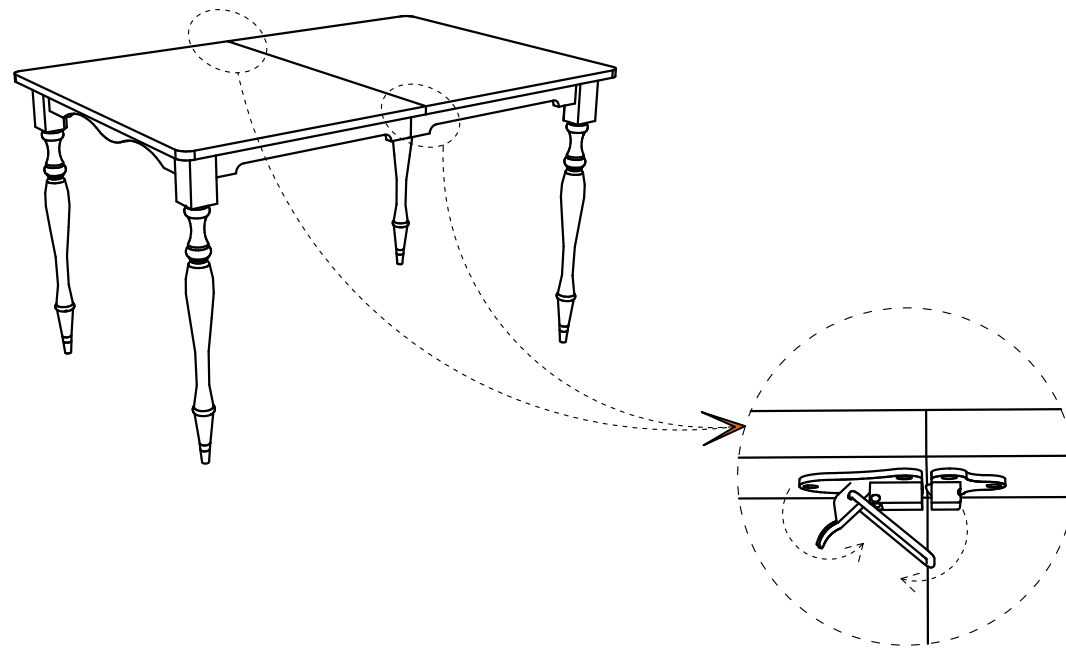
8x19mm
8 pcs



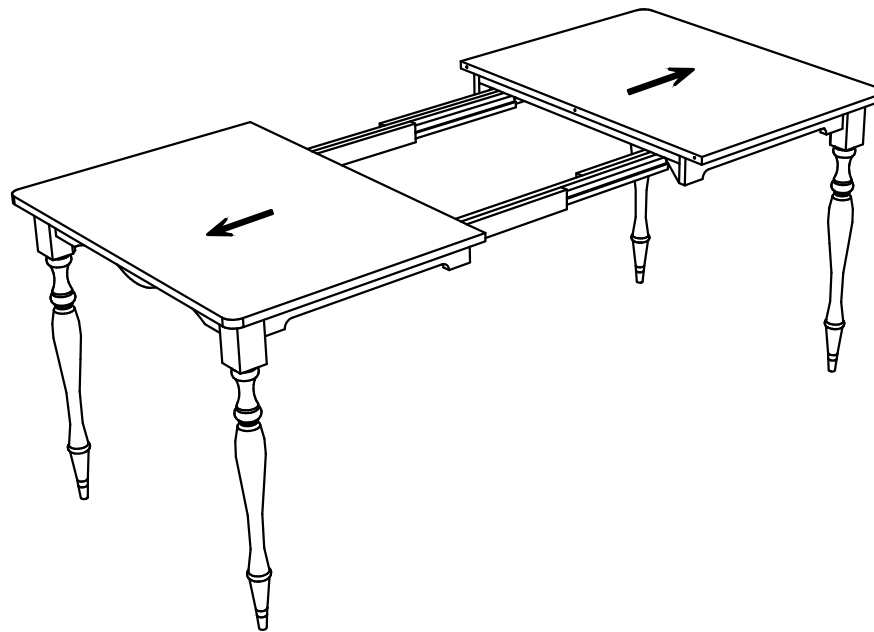
HOW TO EXTEND THE TABLE



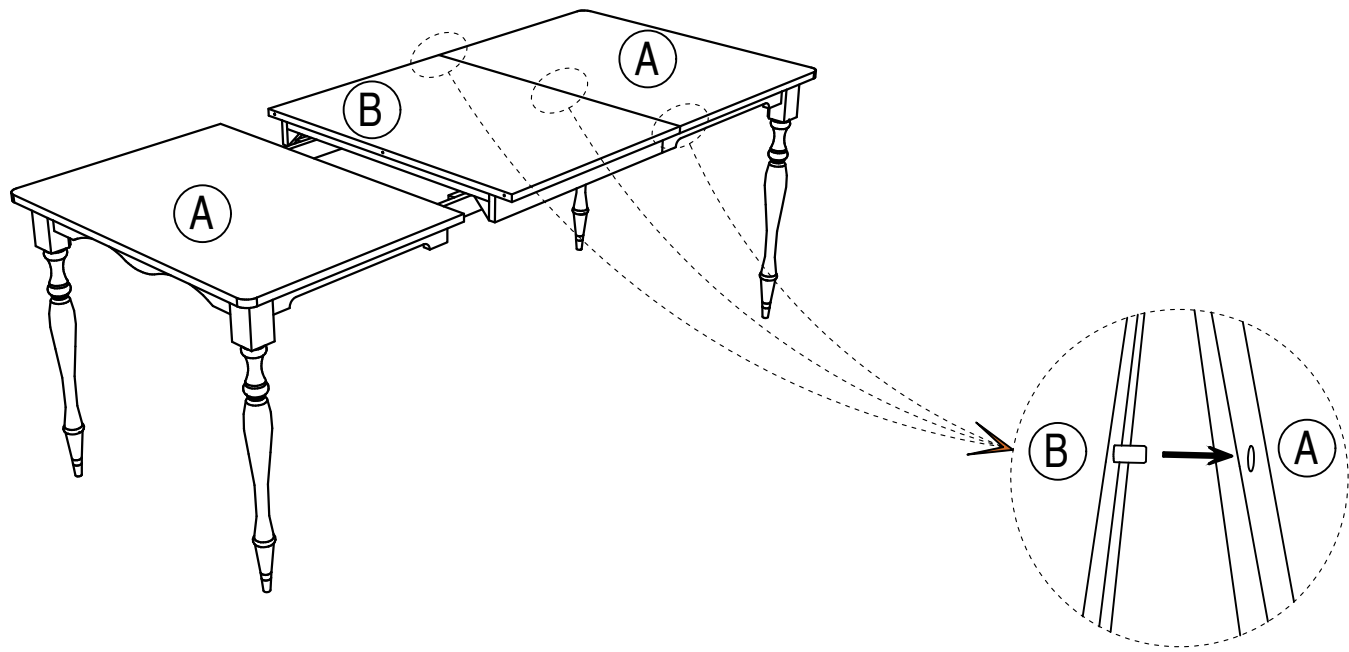
STEP 1



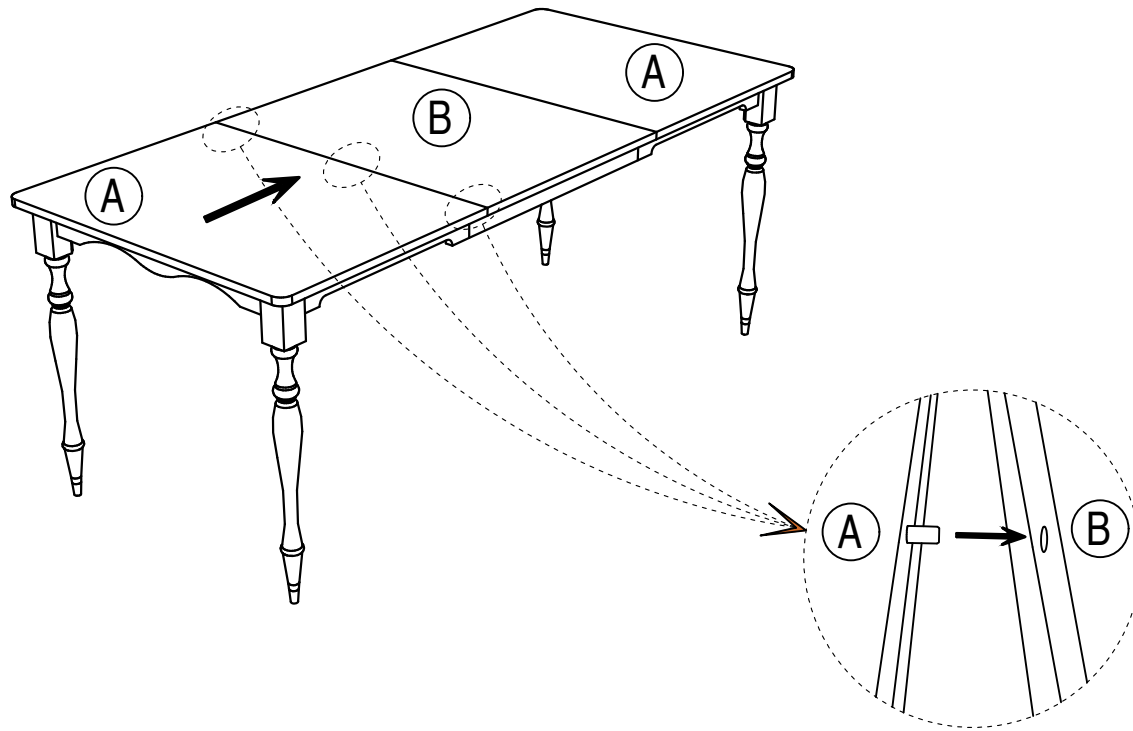
STEP 2



STEP 3



STEP 4



STEP 5

