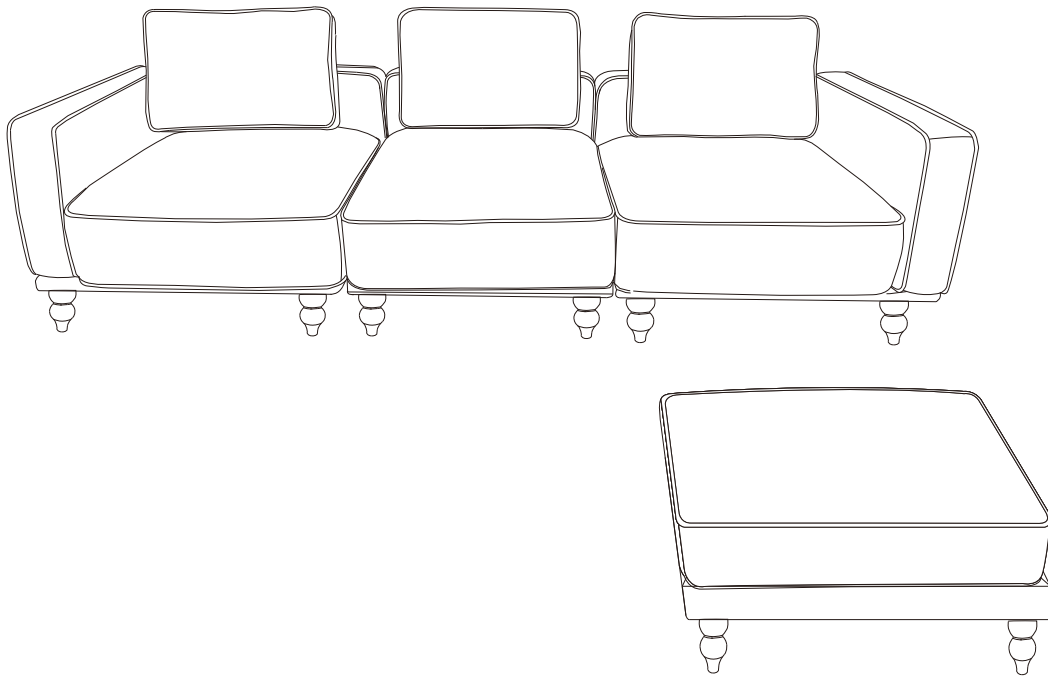


INSTRUCTION MANUAL

Modular Sectional Sofa



Note:

1. Please confirm all parts are correct before you assemble.
 2. This product is shipped in 2-6 boxes (Depending on the seat number you choose), if you only receive one box first, don't worry, other boxes are on the way.
 3. Do not tighten fastening fully until assembly is complete.
 4. DO NOT USE POWER TOOLS. Power tools can overtighten screws.
- If you have any questions, please feel free to contact us.

FAQ

Q1:Missing parts when received.

A1: If you find some parts are missing from the box, please kindly send us messages to let us know the name of missing parts according to the parts list of the instruction, we will send you the replacement asap.

Q2: Difficult to assemble

A2:It is best for two people to install the sofa. If there are any problems during the installation process, you can take photos and send them to us, and we will reply promptly. There are also installation videos on our Amazon page that you can view online.

Q3: Some parts were damaged when arrived.

A3: Please send us the clear photo of the damaged part as an attachment, we will check it and offer you the best solution soon.

Q4:Only received one or two boxes.

A4: We normally ship all boxes on the same day, but the boxes may not be delivered together because of the carrier. The delivery time interval among the packages will not normally exceed three days. And you can also contact the seller and ask for the delivery time of the other boxes.

Q5:Want to return the product.

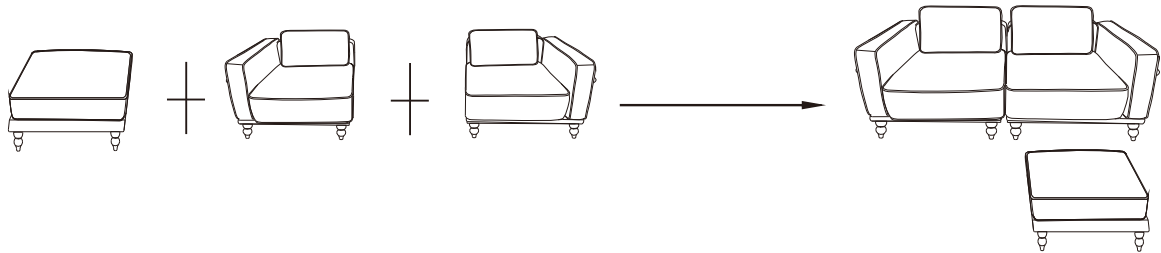
A5: Before returning the item, please contact us regarding the return issue. Please make sure that the box packaging is complete, the product is not damaged, stained, and does not affect secondary sales. Products returned without the original packaging may be rejected, and we may request pictures to be provided.

Many Different Sectional(2 Seat-6 Seats)

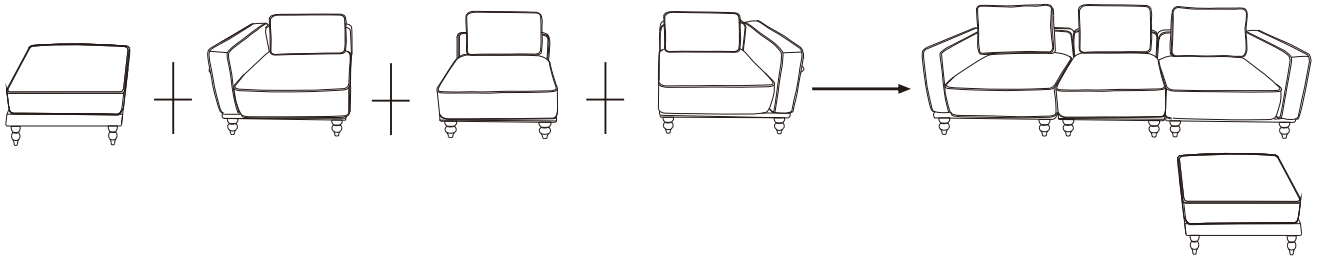
2 Seat(without ottoman)



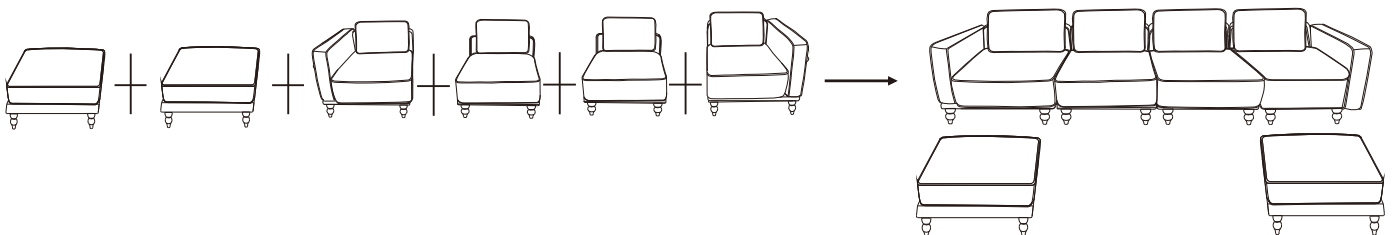
3 Seat(include ottoman)



4 Seat(include ottoman)



6 Seat(include ottoman)

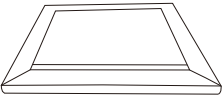









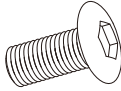



Assembly Instructions

IF YOU BUY 2 SEATER SOFA
please follow below assembly instruction

Parts List

(BOX 1)---Left Seat

<p>A</p>  <p>Left seat frame*1</p>	<p>C</p>  <p>Seat Cushion*1</p>	<p>D</p>  <p>Armrest*1</p>	<p>E</p>  <p>Backrest*1</p>
<p>F</p>  <p>Pillow*1</p>	<p>G</p>  <p>Leg*4</p>	<p>H</p>  <p>Wood Armrest*2</p>	<p>I</p>  <p>Connector*4</p>
<p>Y</p>  <p>Washer*16</p>	<p>K</p>  <p>Plastic gasket*4</p>	<p>L</p>  <p>Bolt*16 M8*30mm</p>	<p>O</p>  <p>Allen key*1</p>






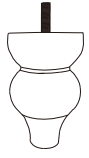

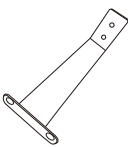


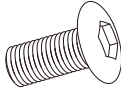

Note: Please retain all boxes until you are certain that your product isn't damaged and you do not wish to return it. Disposal of boxes may prevent our ability to resolve your request.

Assembly Instructions

IF YOU BUY 2 SEATER SOFA
please follow below assembly instruction

Parts List

(BOX 2)---Right Seat

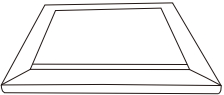
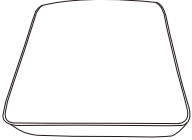


B  Right seat frame*1	C  Seat Cushion*1	D  Armrest*1	E  Backrest*1
F  Pillow*1	G  Leg*4	H  Wood Armrest*2	I  Connector*4
Y  Washer*16	K  Plastic gasket*4	L  Bolt*16 M8*30mm	O  Allen key*1

Note: Please retain all boxes until you are certain that your product isn't damaged and you do not wish to return it. Disposal of boxes may prevent our ability to resolve your request.

Assembly Instructions

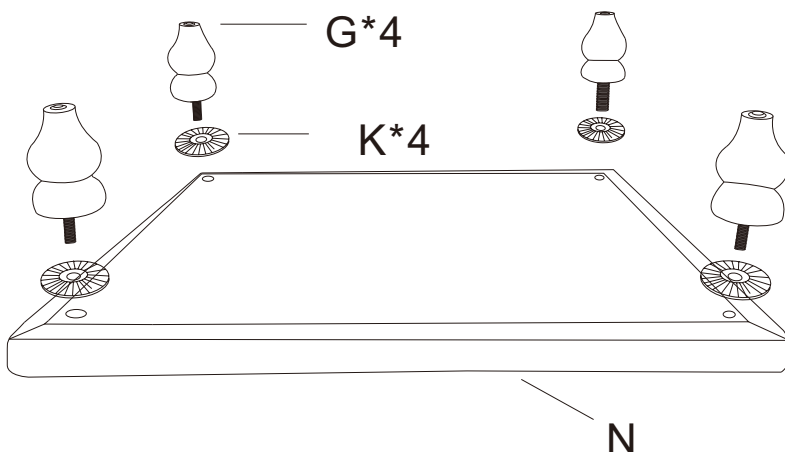
(BOX 3)---OTTOMAN

Parts List

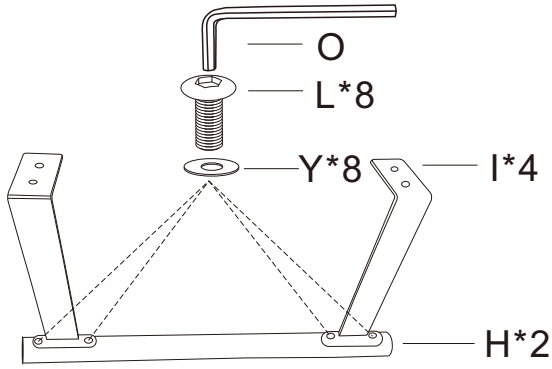
<p>N*1</p>  <p>Seat frame*1</p>	<p>P*1</p>  <p>Seat cushion*1</p>	<p>G*4</p>  <p>Leg*4</p>	<p>K*4</p>  <p>Plastic gasket*4</p>
--	---	---	--

Note: Please retain all boxes until you are certain that your product isn't damaged and you do not wish to return it. Disposal of boxes may prevent our ability to resolve your request.

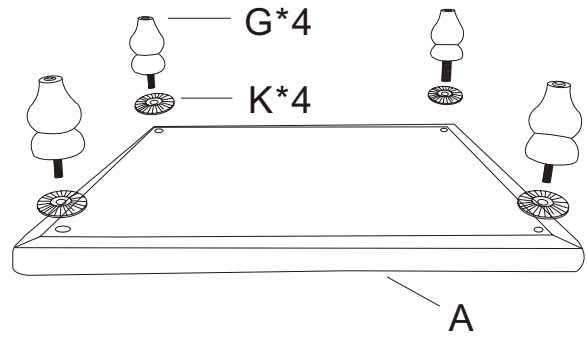
① Assemble the Legs(G)to the Seat frame(N)with Plastic gasket(K).



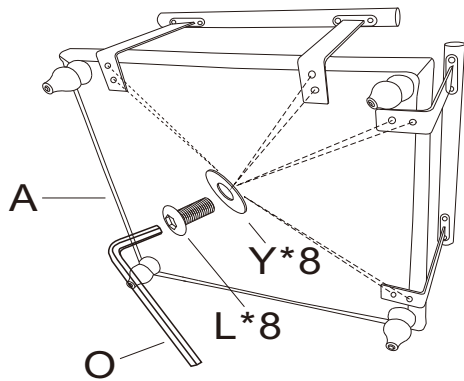
① Assemble the Connector(I)to the Wood Armrest (H)with Washers(Y)and Bolts(L).



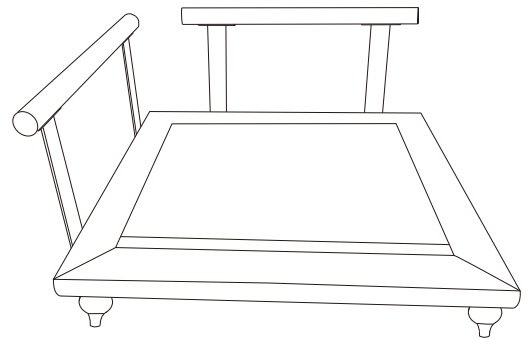
② Assemble the Legs(G)to the Left seat frame(A)with Plastic gasket(K).



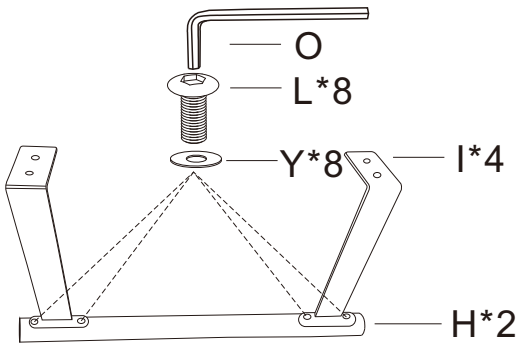
③ Assemble the Wood Armrest(H) to the Left seat frame(A)with Washers(Y)and Bolts(L).



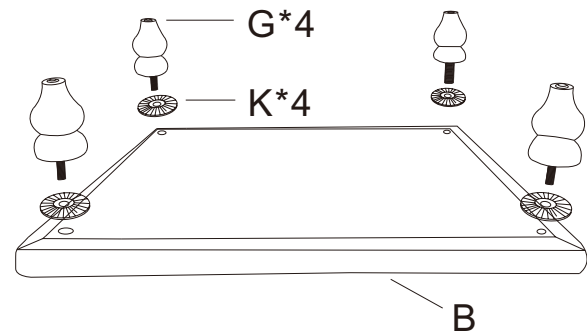
④



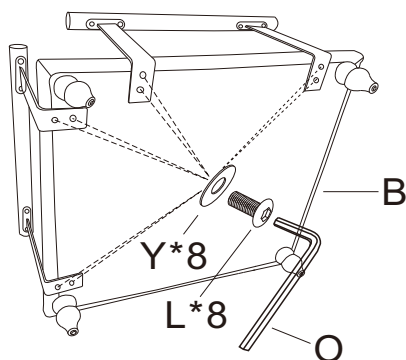
⑤ Assemble the Connector(I)to the Wood Armrest (H)with Washers(Y)and Bolts(L).



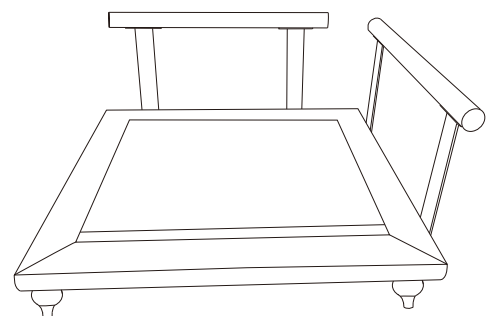
⑥ Assemble the Legs(G)to the Right seat frame(B)with Plastic gasket(K).



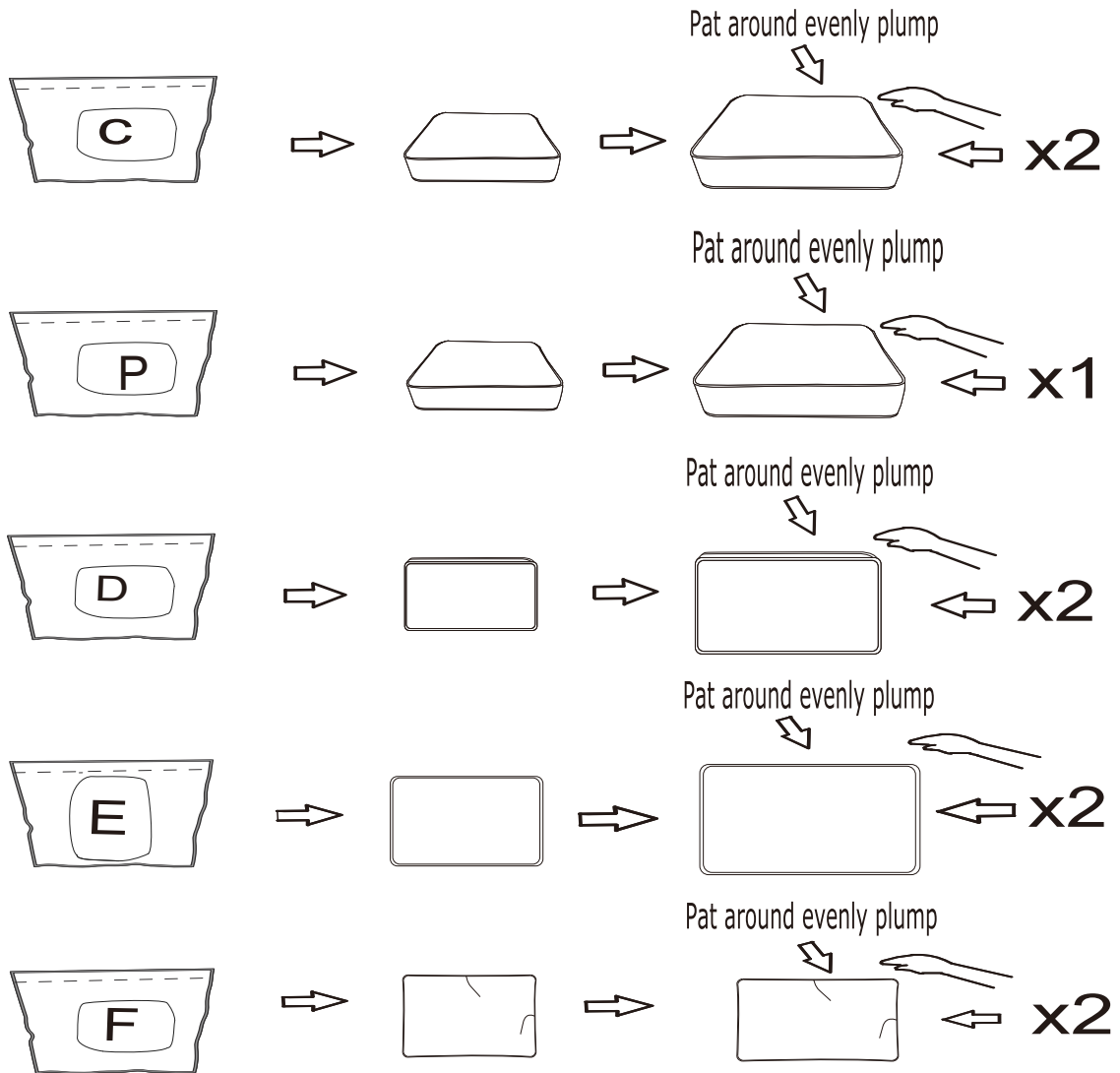
⑦ Assemble the Wood Armrest(H) to the Right seat frame(B)with Washers(Y)and Bolts(L).



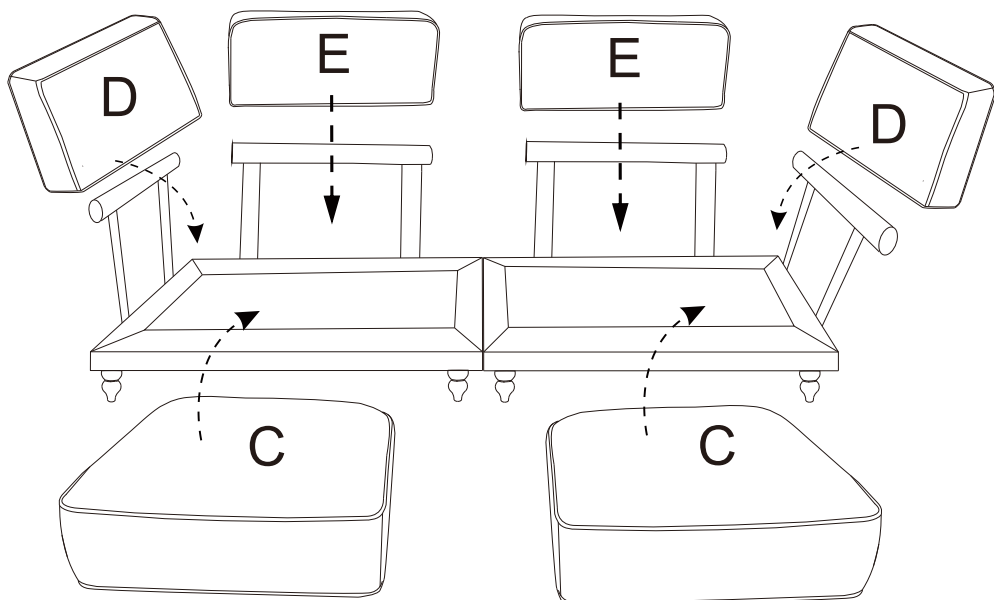
⑧



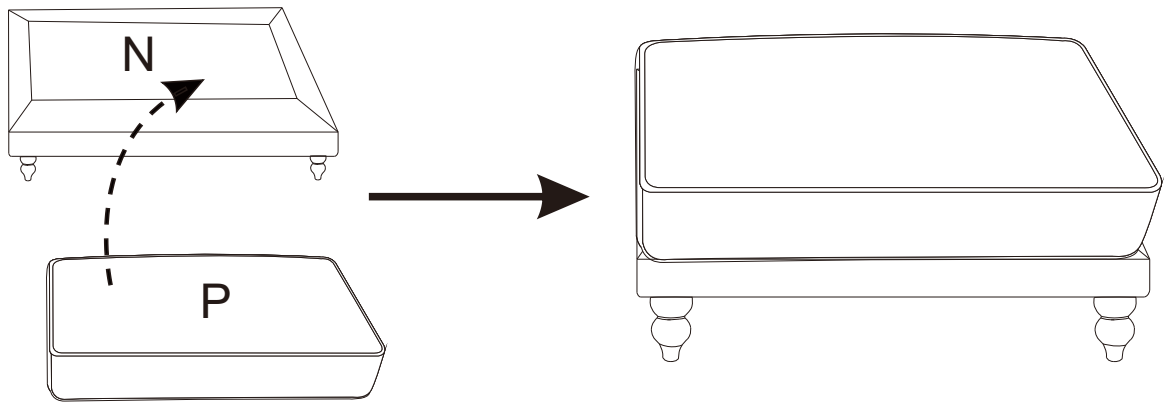
- ⑨ The cushion is packed by vacuum compression. After cutting the package, it rebounds quickly within 4 hours. If the fabric has wrinkles, it will basically disappear after standing for 72 hours.



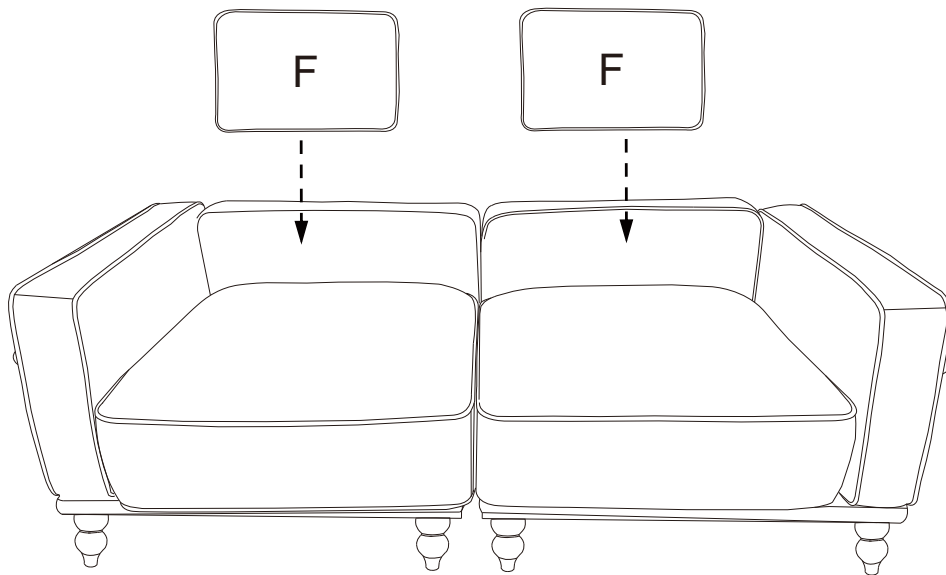
- ⑩ Place Seat cushions (C) and back cushions (E) and Armrest cushions (D) on the sofa and make sure it's fitted.



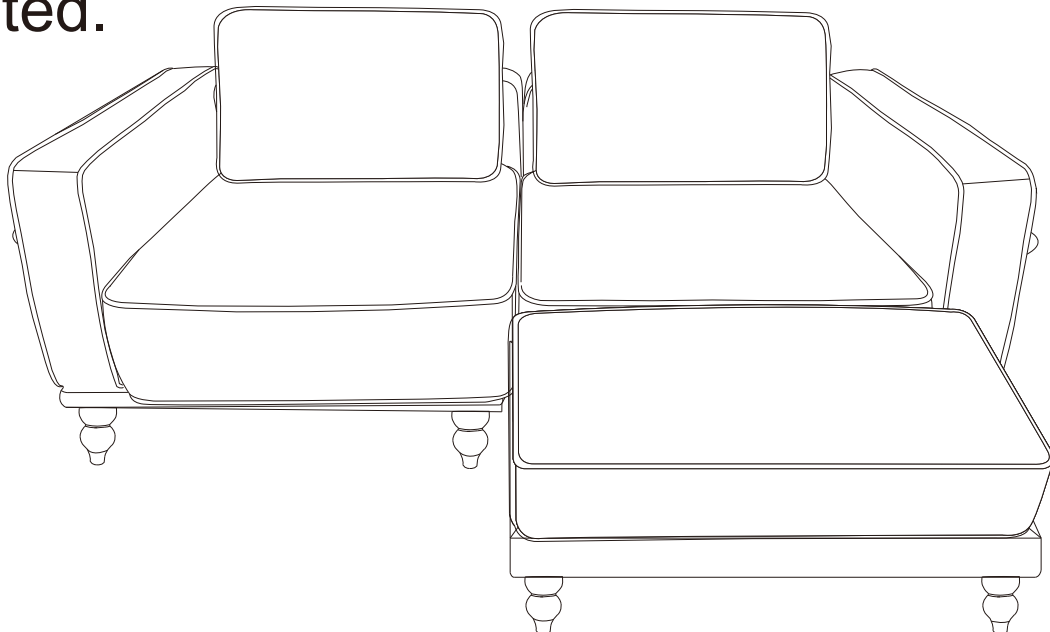
⑪ Place seat ottoman cushion (P) on the ottoman frame (N).



⑫ Place Pillows (F) on sofa and make sure it's will fitted.



Completed.

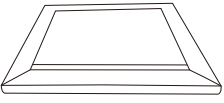




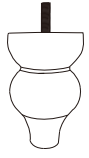

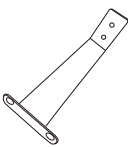


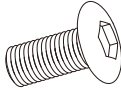



Assembly Instructions

IF YOU BUY 3 SEATER SOFA
please follow below assembly instruction

Parts List

(BOX 1)---Left Seat

<p>A</p>  <p>Left seat frame*1</p>	<p>C</p>  <p>Seat Cushion*1</p>	<p>D</p>  <p>Armrest*1</p>	<p>E</p>  <p>Backrest*1</p>
<p>F</p>  <p>Pillow*1</p>	<p>G</p>  <p>Leg*4</p>	<p>H</p>  <p>Wood Armrest*2</p>	<p>I</p>  <p>Connector*4</p>
<p>Y</p>  <p>Washer*16</p>	<p>K</p>  <p>Plastic gasket*4</p>	<p>L</p>  <p>Bolt*16 M8*30mm</p>	<p>O</p>  <p>Allen key*1</p>


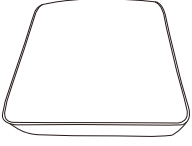



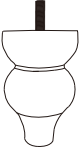

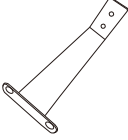


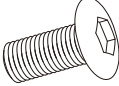

Note: Please retain all boxes until you are certain that your product isn't damaged and you do not wish to return it. Disposal of boxes may prevent our ability to resolve your request.

Assembly Instructions

IF YOU BUY 3 SEATER SOFA
please follow below assembly instruction

Parts List

(BOX 2)---Right Seat

B  Right seat frame*1	C  Seat Cushion*1	D  Armrest*1	E  Backrest*1
F  Pillow*1	G  Leg*4	H  Wood Armrest*2	I  Connector*4
Y  Washer*16	K  Plastic gasket*4	L  Bolt*16 M8*30mm	O  Allen key*1


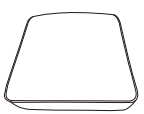



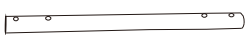
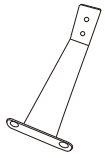

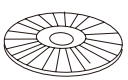
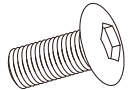

Note: Please retain all boxes until you are certain that your product isn't damaged and you do not wish to return it. Disposal of boxes may prevent our ability to resolve your request.

Assembly Instructions

IF YOU BUY 3 SEATER SOFA
please follow below assembly instruction

Parts List

(BOX 3)---Middle Seat

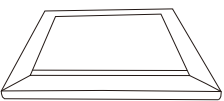
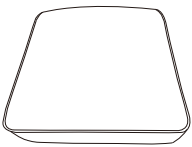

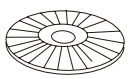
M  Middle seat frame*1	Q  Middle seat cushion*1	E  Backrest*1	F  Pillow*1
G  Leg*4	H  Wood Armrest*1	I  Connector*2	Y  Washer*8
K  Plastic gasket*4	L  Bolt*8 M8*30mm	O  Allen key*1	

Note: Please retain all boxes until you are certain that your product isn't damaged and you do not wish to return it. Disposal of boxes may prevent our ability to resolve your request.

Assembly Instructions

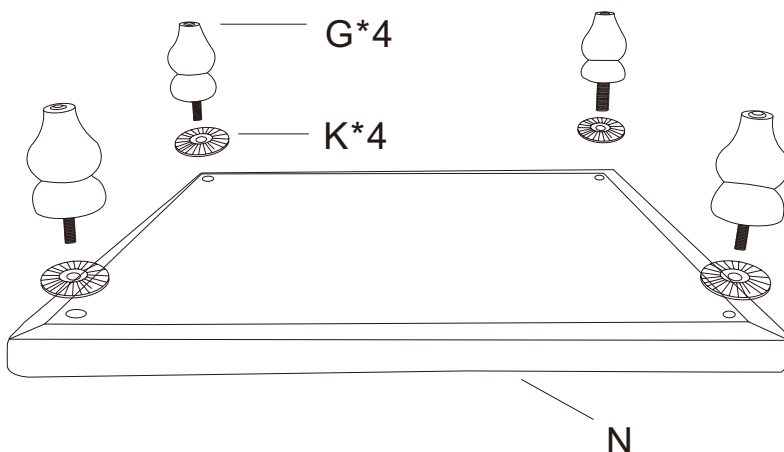
(BOX 4)---OTTOMAN

Parts List

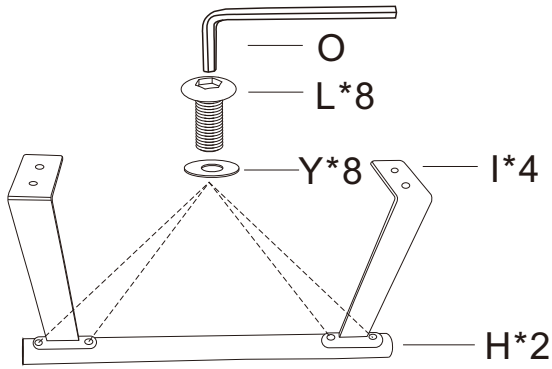
<p>N</p>  <p>Seat frame*1</p>	<p>P</p>  <p>Seat cushion*1</p>	<p>G</p>  <p>Leg*4</p>	<p>K</p>  <p>Plastic gasket*4</p>
--	---	---	--

Note: Please retain all boxes until you are certain that your product isn't damaged and you do not wish to return it. Disposal of boxes may prevent our ability to resolve your request.

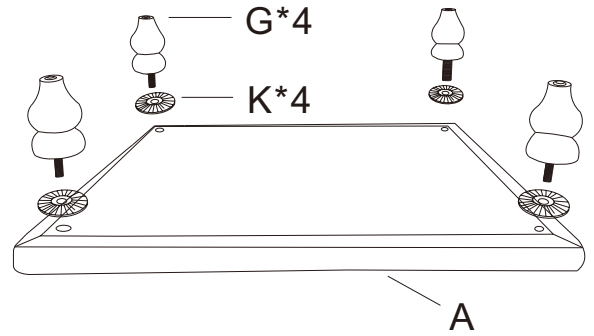
① Assemble the Legs(G)to the Seat frame(N)with Plastic gasket(K).



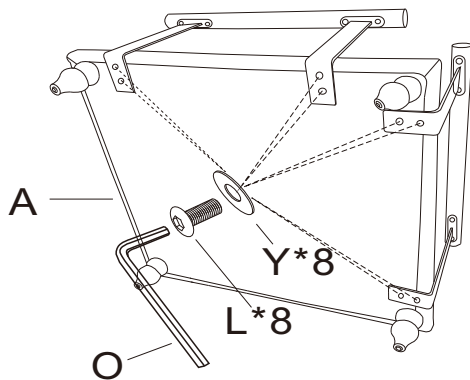
① Assemble the Connector(I)to the Wood Armrest (H)with Washers(Y)and Bolts(L).



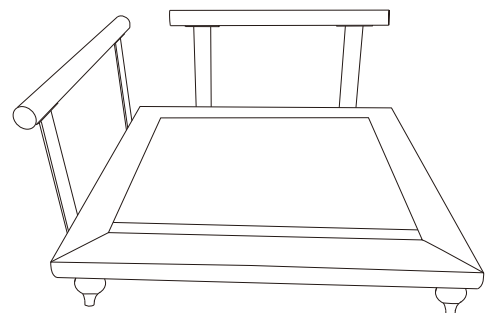
② Assemble the Legs(G)to the Left seat frame(A)with Plastic gasket(K).



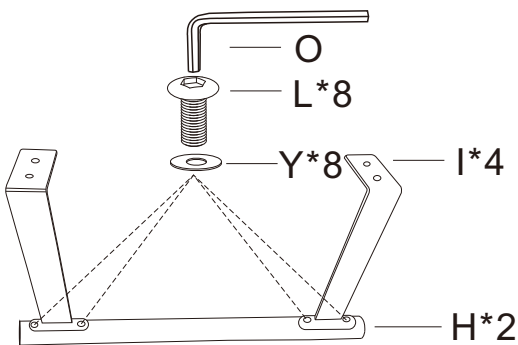
③ Assemble the Wood Armrest(H) to the Left seat frame(A)with Washers(Y)and Bolts(L).



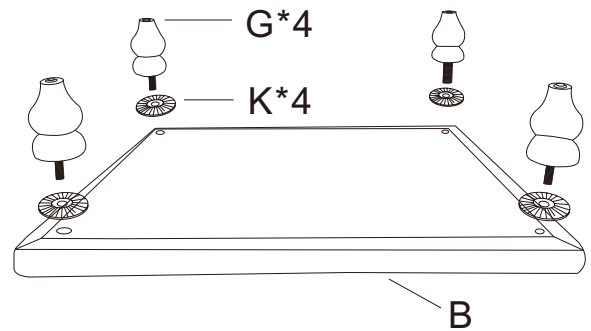
④



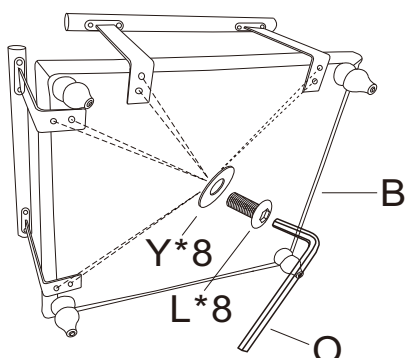
⑤ Assemble the Connector(I)to the Wood Armrest (H)with Washers(Y)and Bolts(L).



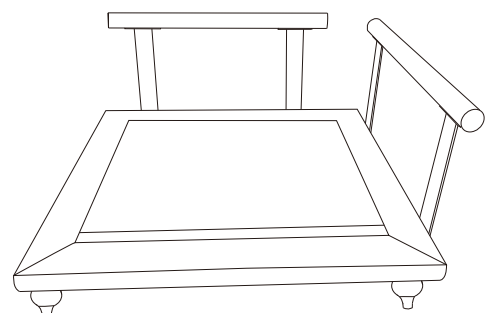
⑥ Assemble the Legs(G)to theRight seat frame(B)with Plastic gasket(K).



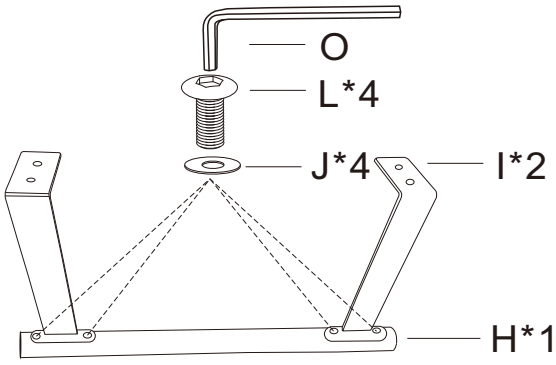
⑦ Assemble the Wood Armrest(H) to the Right seat frame(B)with Washers(Y)and Bolts(L).



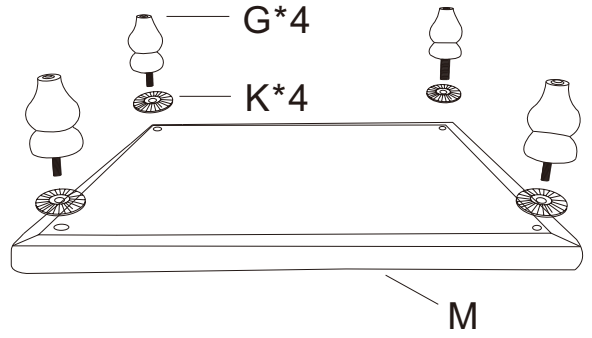
⑧



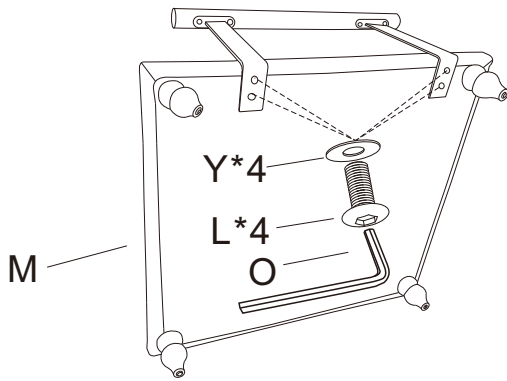
⑨ Assemble the Connector(I)to the Wood Armrest (H)with Washers(Y)and Bolts(L).



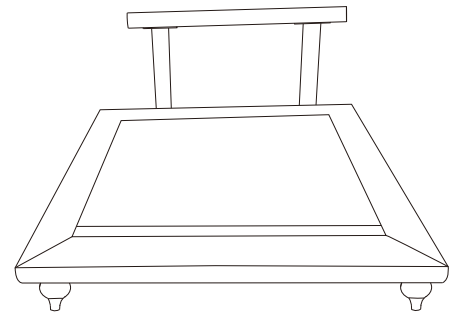
⑩ Assemble the Legs(G)to the Middle seat frame(M)with Plastic gasket(K).



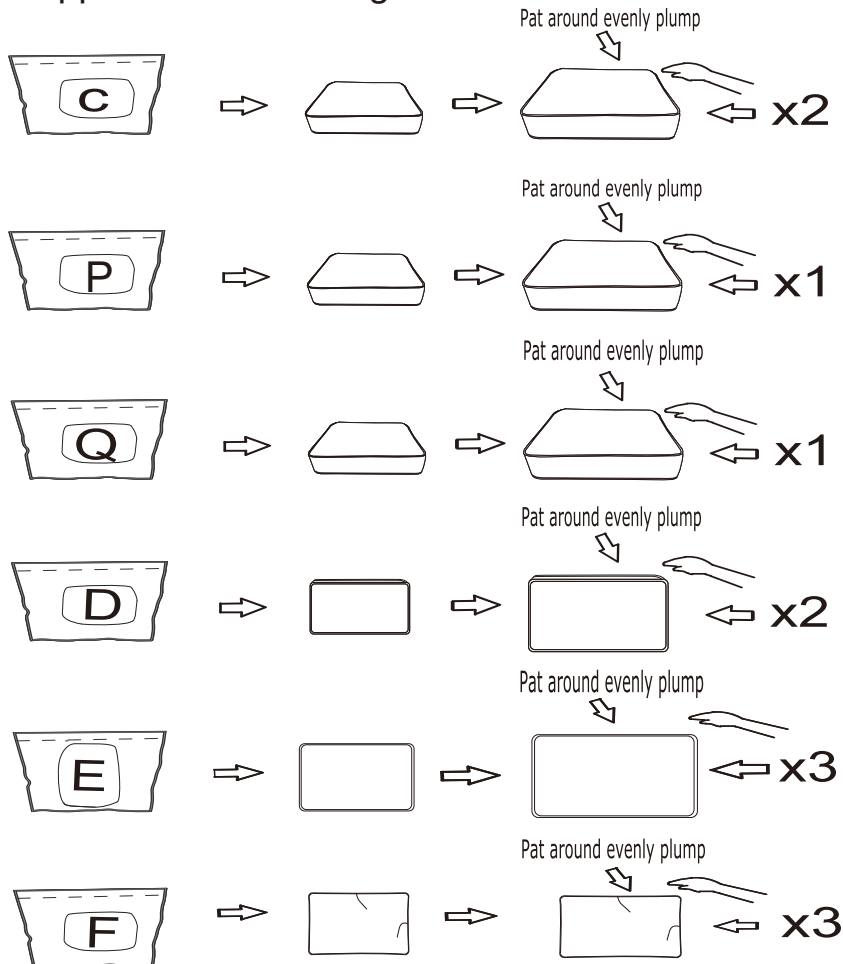
⑪ Assemble the Wood Armrest(H) to the Middle seat frame(M)with Washers(Y)and Bolts(L).



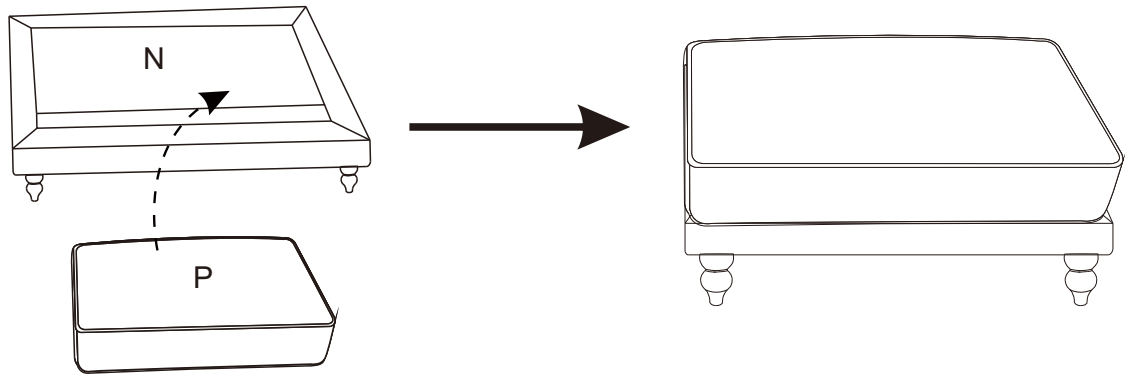
⑫



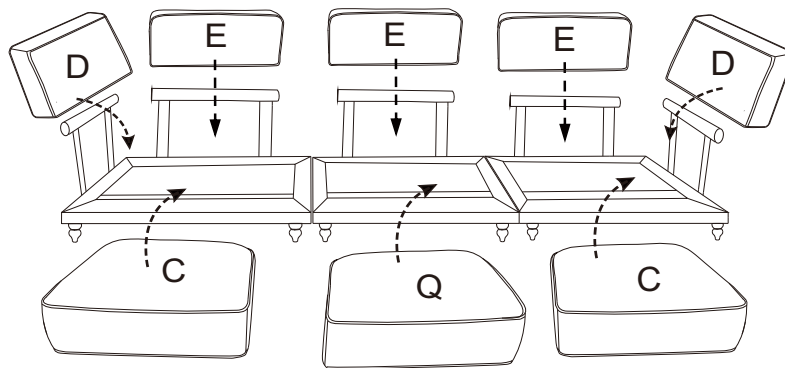
⑬ The cushion is packed by vacuum compression.After cutting the package,it rebounds quickly within 4 hours.If the fabric has wrinkles, it will basically disappear after standing for 72 hours.



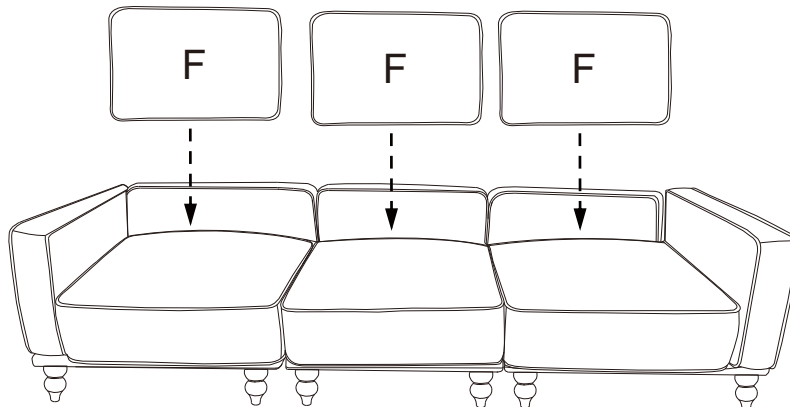
14 Place seat ottoman cushion (P) on the ottoman frame (N).



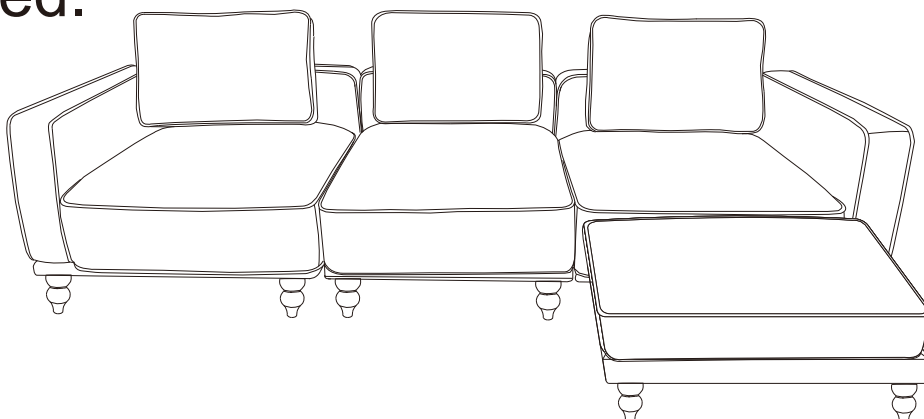
15 Place Seat cushions (C) and back cushions (E) and Armrest cushions (D) and Middleseat cushion (Q), on the sofa and make sure it's will fitted.



16 Place Pillows (F) on sofa and make sure it's will fitted.



Completed.

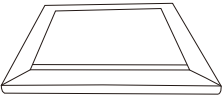









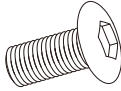



Assembly Instructions

IF YOU BUY 4 SEATER SOFA
please follow below assembly instruction

Parts List

(BOX 1)---Left Seat

<p>A</p>  <p>Left seat frame*1</p>	<p>C</p>  <p>Seat Cushion*1</p>	<p>D</p>  <p>Armrest*1</p>	<p>E</p>  <p>Backrest*1</p>
<p>F</p>  <p>Pillow*1</p>	<p>G</p>  <p>Leg*4</p>	<p>H</p>  <p>Wood Armrest*2</p>	<p>I</p>  <p>Connector*4</p>
<p>Y</p>  <p>Washer*16</p>	<p>K</p>  <p>Plastic gasket*4</p>	<p>L</p>  <p>Bolt*16 M8*30mm</p>	<p>O</p>  <p>Allen key*1</p>











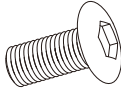

Note: Please retain all boxes until you are certain that your product isn't damaged and you do not wish to return it. Disposal of boxes may prevent our ability to resolve your request.

Assembly Instructions

IF YOU BUY 4 SEATER SOFA
please follow below assembly instruction

Parts List

(BOX 2)---Right Seat

B  Right seat frame*1	C  Seat Cushion*1	D  Armrest*1	E  Backrest*1
F  Pillow*1	G  Leg*4	H  Wood Armrest*2	I  Connector*4
Y  Washer*16	K  Plastic gasket*4	L  Bolt*16 M8*30mm	O  Allen key*1


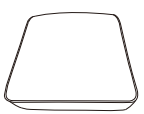



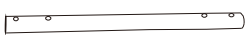
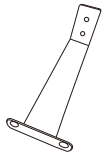

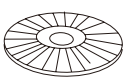
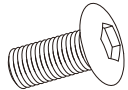

Note: Please retain all boxes until you are certain that your product isn't damaged and you do not wish to return it. Disposal of boxes may prevent our ability to resolve your request.

Assembly Instructions

IF YOU BUY 4 SEATER SOFA
please follow below assembly instruction

Parts List

(BOX 3)*2pc ---Middle Seats

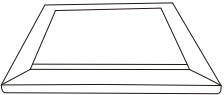
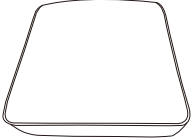


M  Middle seat frame*1	Q  Middle seat cushion*1	E  Backrest*1	F  Pillow*1
G  Leg*4	H  Wood Armrest*1	I  Connector*2	Y  Washer*8
K  Plastic gasket*4	L  Bolt*8 M8*30mm	O  Allen key*1	

Note: Please retain all boxes until you are certain that your product isn't damaged and you do not wish to return it. Disposal of boxes may prevent our ability to resolve your request.

Assembly Instructions

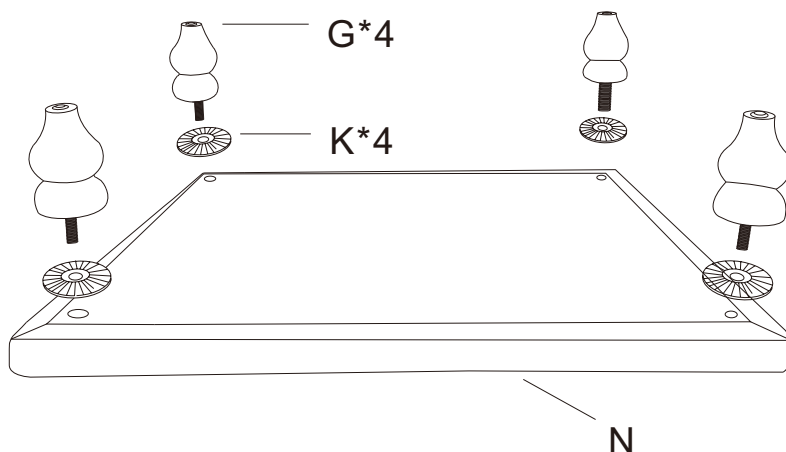
(BOX 5)---OTTOMAN

Parts List

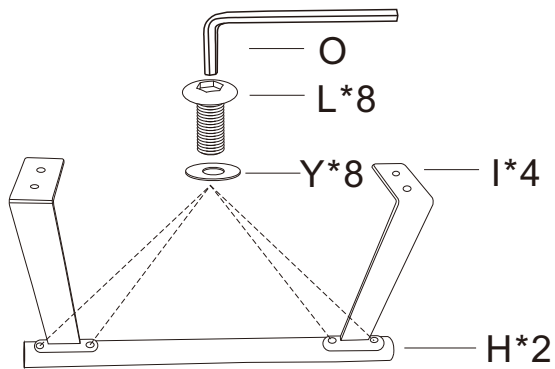
<p>N*1</p>  <p>Seat frame*1</p>	<p>P*1</p>  <p>Seat cushion*1</p>	<p>G*4</p>  <p>Leg*4</p>	<p>K*4</p>  <p>Plastic gasket*4</p>
--	---	---	--

Note: Please retain all boxes until you are certain that your product isn't damaged and that you do not wish to return it. Disposal of boxes may prevent our ability to resolve your request.

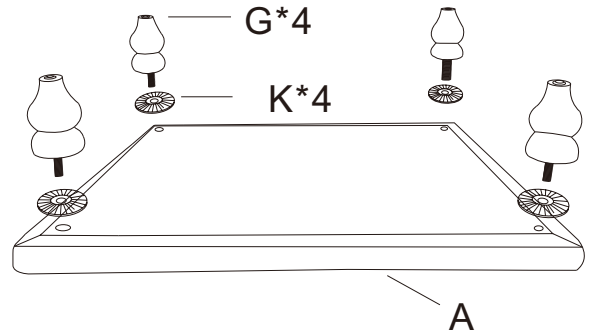
① Assemble the Legs(G)to the Seat frame(N)with Plastic gasket(K).



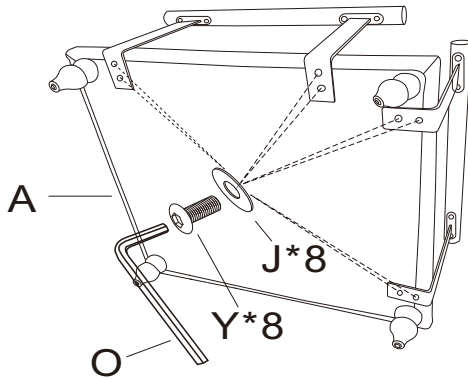
① Assemble the Connector(I)to the Wood Armrest (H)with Washers(Y)and Bolts(L).



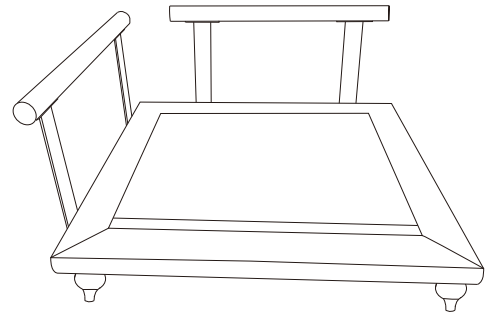
② Assemble the Legs(G)to the Left seat frame(A)with Plastic gasket(K).



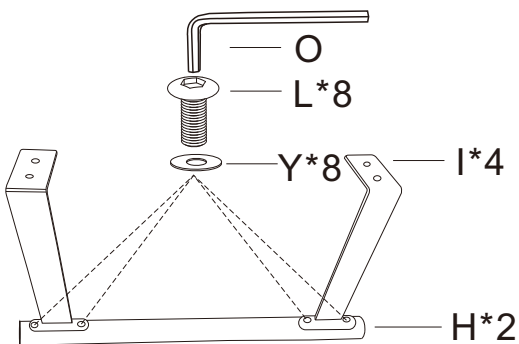
③ Assemble the Wood Armrest(H) to the Left seat frame(A)with Washers(Y)and Bolts(L).



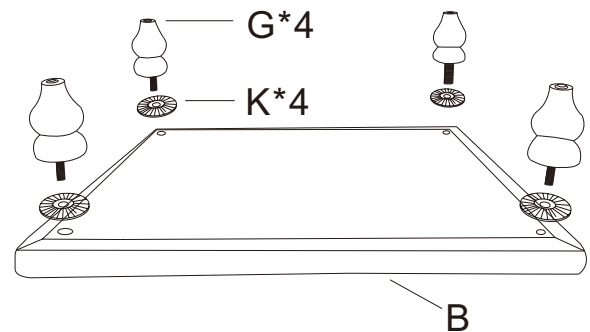
④



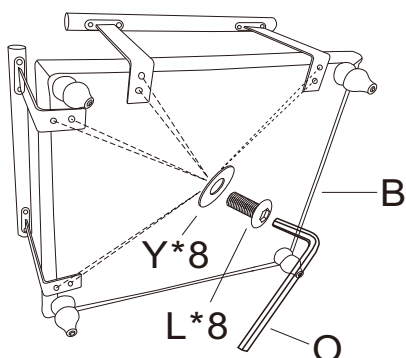
⑤ Assemble the Connector(I)to the Wood Armrest (H)with Washers(Y)and Bolts(L).



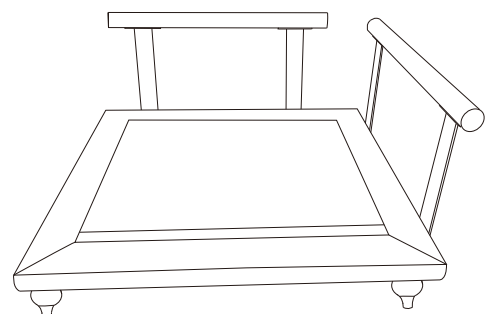
⑥ Assemble the Legs(G)to theRight seat frame(B)with Plastic gasket(K).



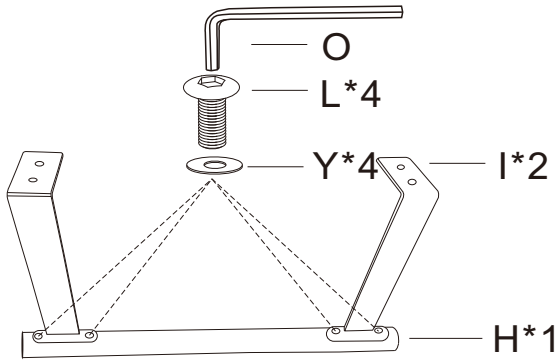
⑦ Assemble the Wood Armrest(H) to the Right seat frame(B)with Washers(Y)and Bolts(L).



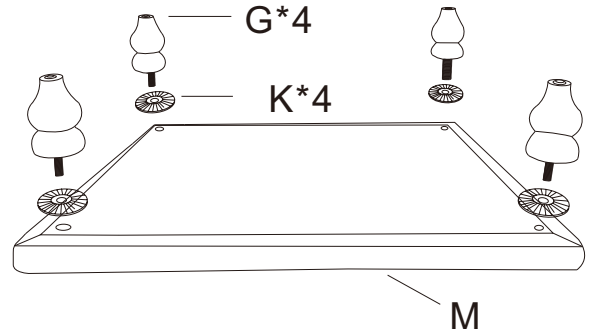
⑧



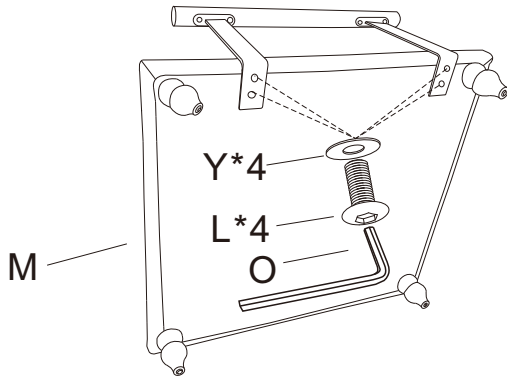
⑨ Assemble the Connector(I)to the Wood Armrest (H)with Washers(Y)and Bolts(L).



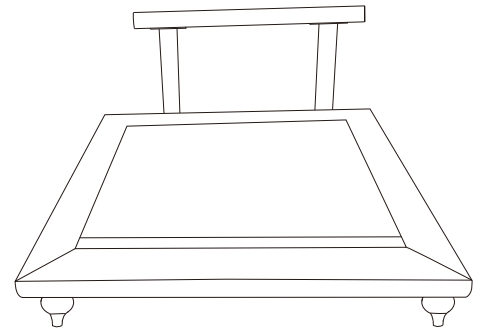
⑩ Assemble the Legs(G)to the Middle seat frame(M)with Plastic gasket(K).



⑪ Assemble the Wood Armrest(H) to the Middle seat frame(M)with Washers(Y)and Bolts(L).

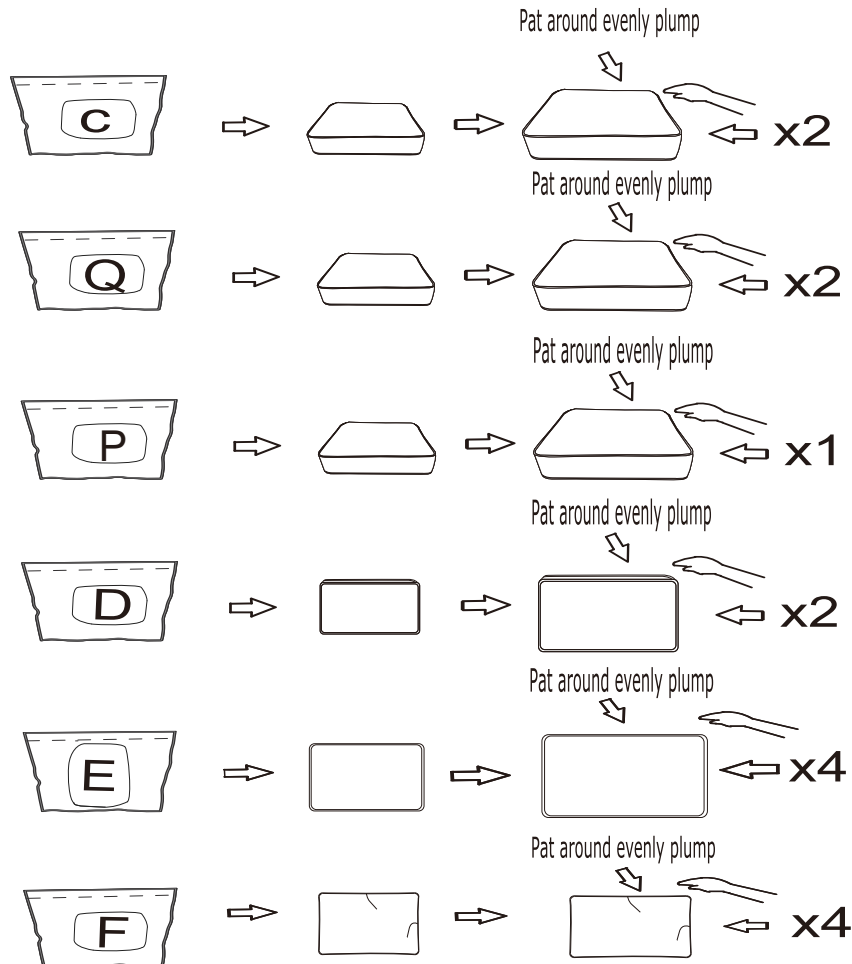


⑫

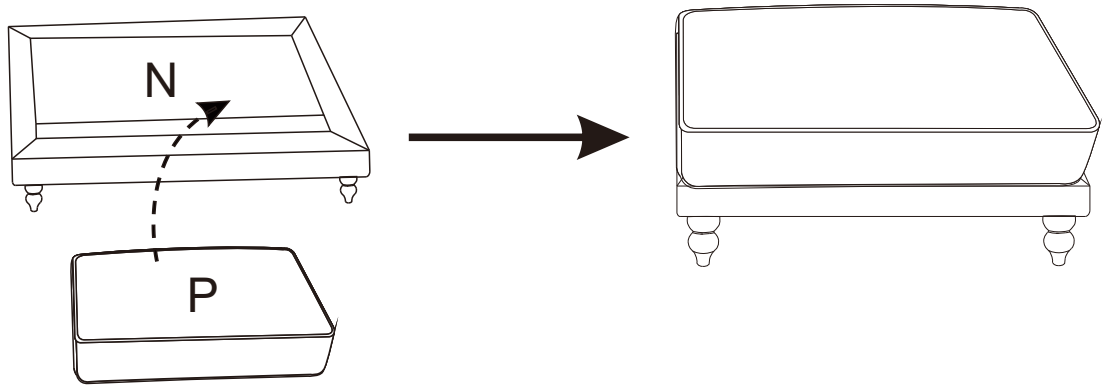


⑬

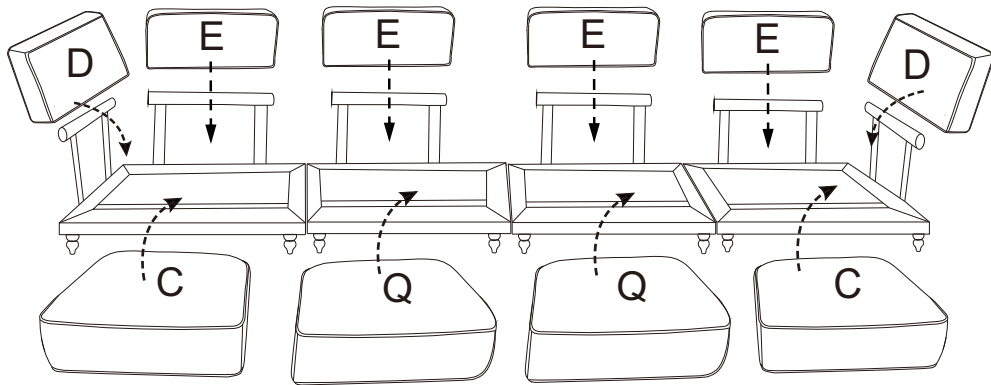
The cushion is packed by vacuum compression. After cutting the package, it rebounds quickly within 4 hours. If the fabric has wrinkles, it will basically disappear after standing for 72 hours.



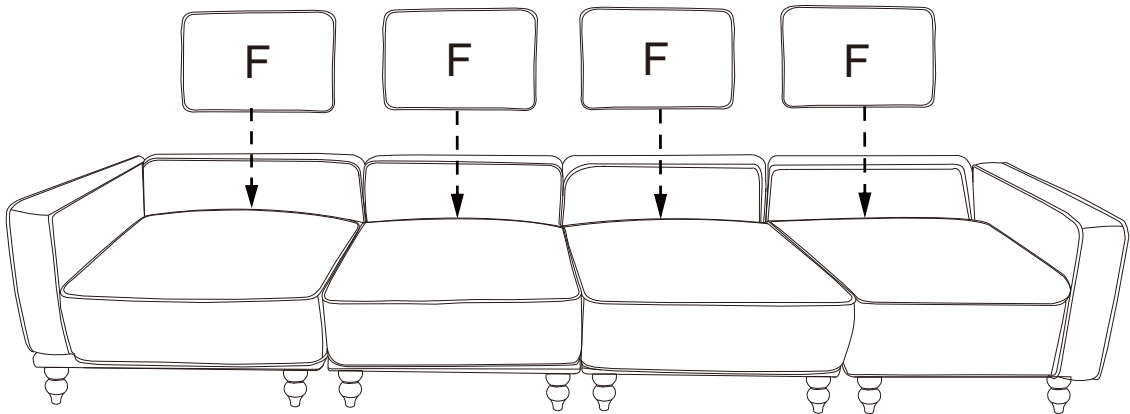
14 Place seat ottoman cushion (P) on the ottoman frame (N).



15 Place Seat cushions (C) and back cushions (E) and Armrest cushions (D) and Middle seat cushions (Q) , n the sofa and make sure it's will fitted.



16 Place Pillows (F) on sofa and make sure it's will fitted.



Completed.

