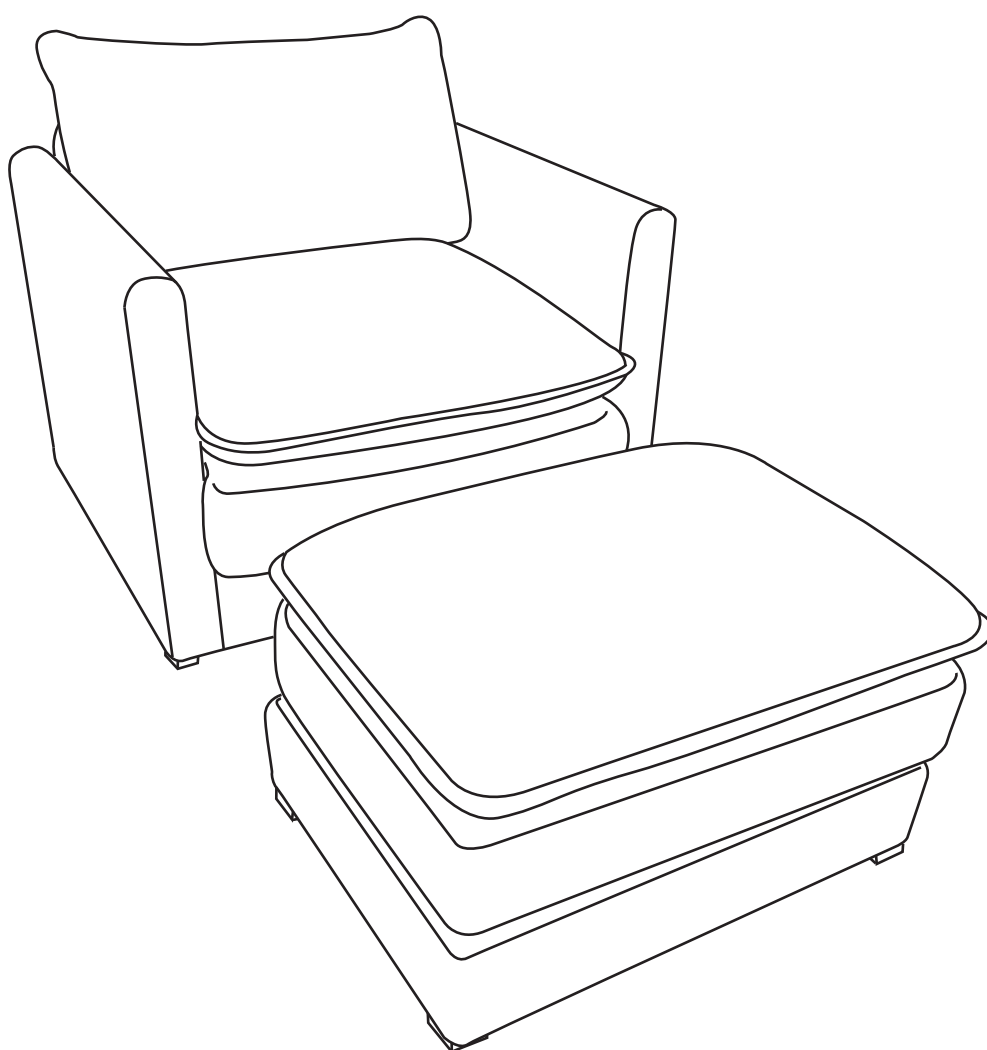
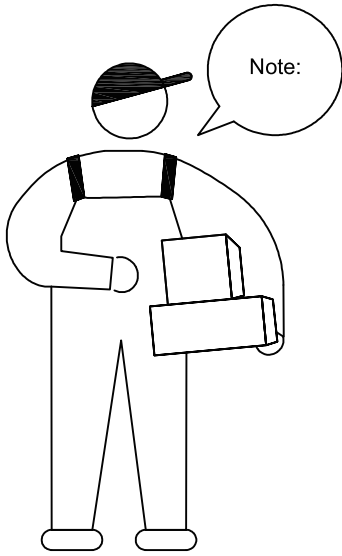


Assembly Manual

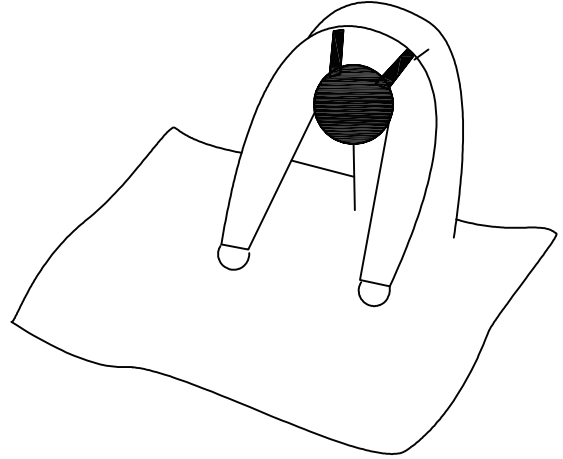
Sofa



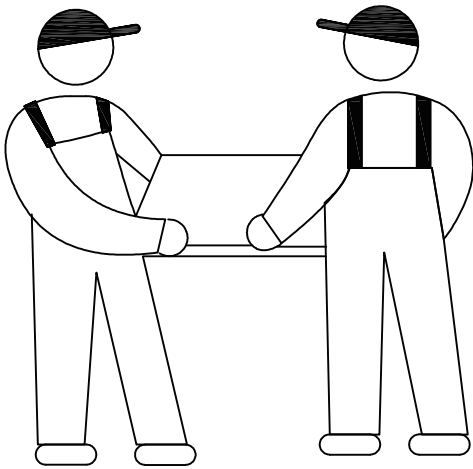
Assembly note:



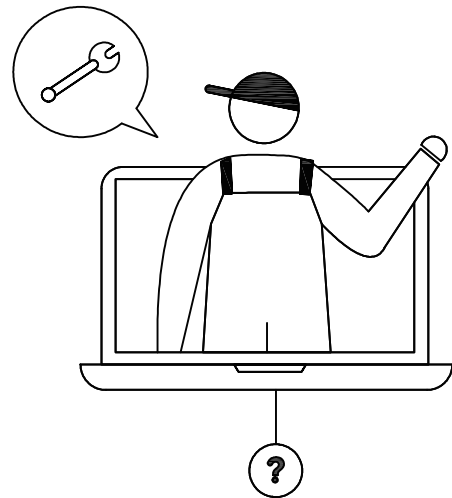
- Put a protective mat on the ground and handle the product with care.



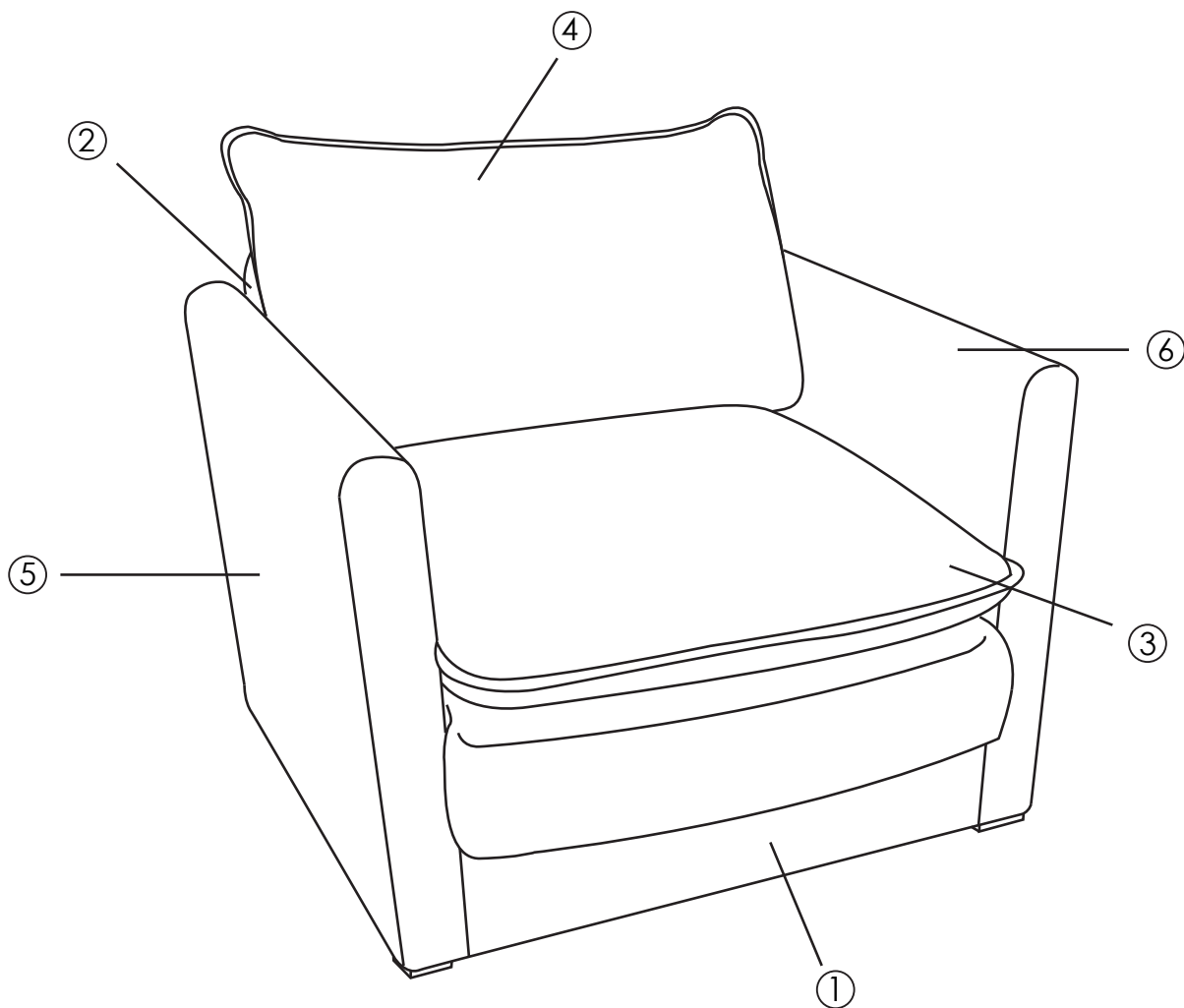
- Two people are preferred.



- Contact us if you have any confusions.


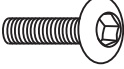


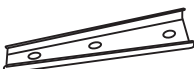
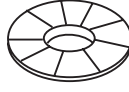
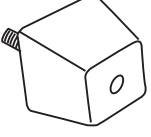


Exploded diagram:



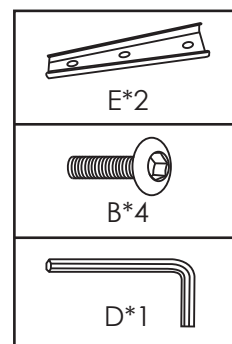
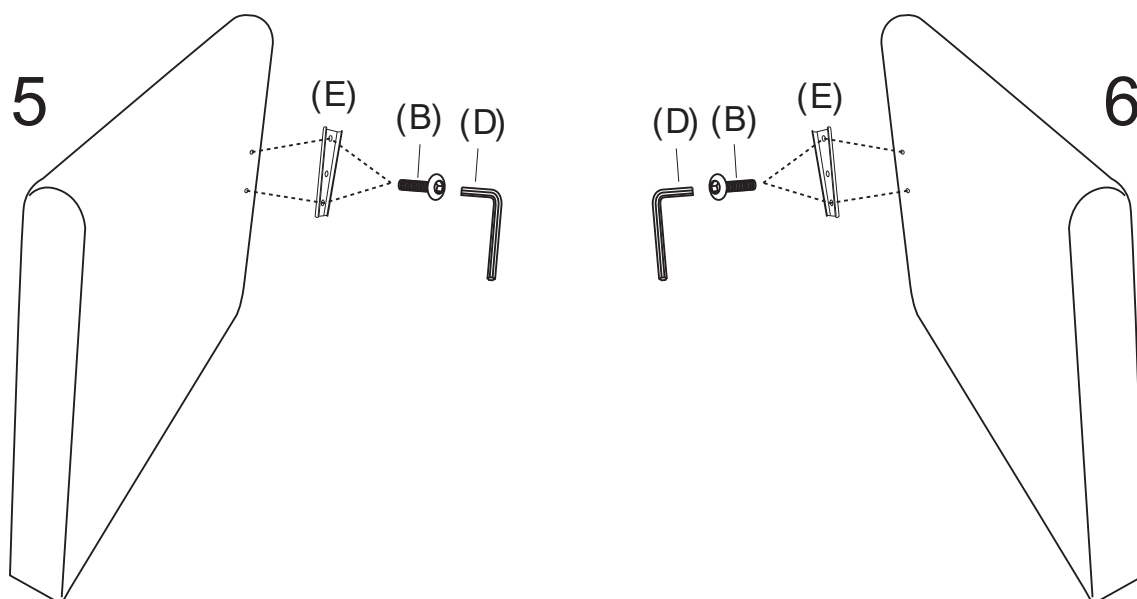
No.	Name	Pcs
1	Bottom seat	1
2	Back	1
3	Seat cushion	1
4	Pillow	1
5	Left armrest	1
6	Right armrest	1

Accessory list:

A 			B 			C 		
screws	M8*55	6	screws	M6*25	4	Flat Washer		6
D 			E 			F 		
Wrench		1	Steel Insert		2	Plastic Washer		4
G 								
legs		4						

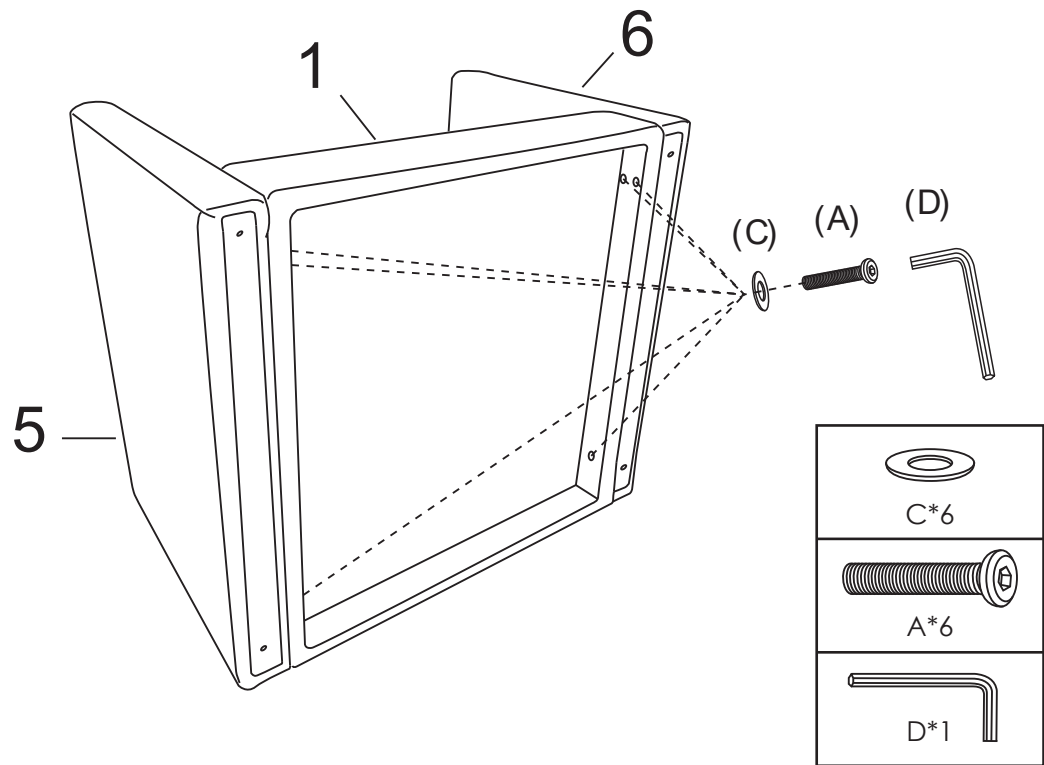
1. Assemble the left armrest (5) right armrest (6) ,using wench(D) to tighten them with screws (B) and steel insert (E).

1



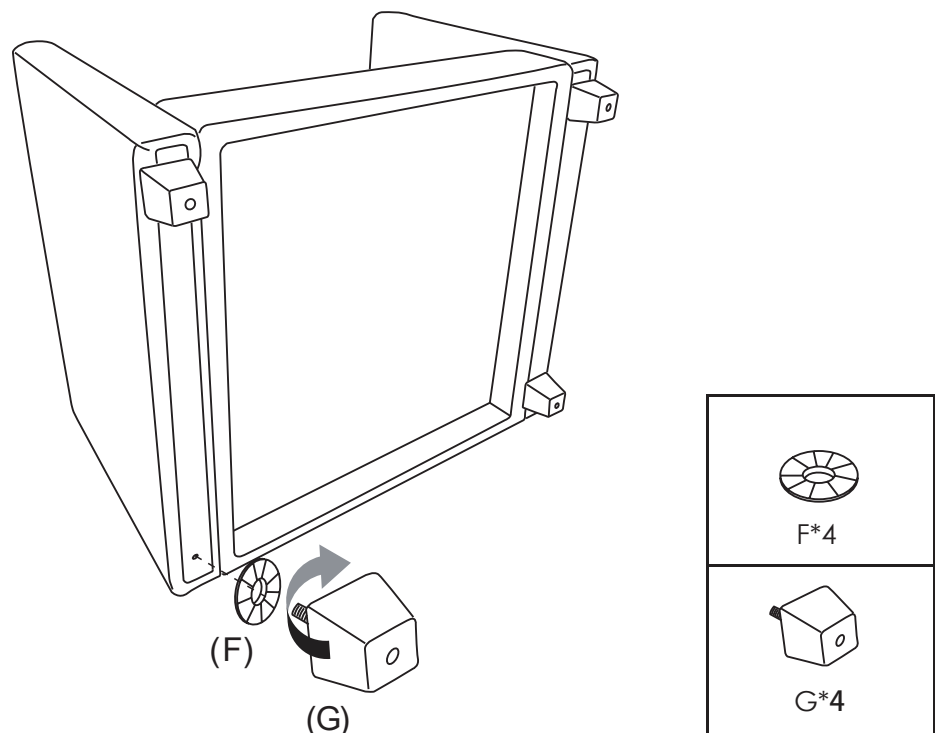
2. Assemble the left armrest (5) right armrest (6) with bottom seat (1). Use wench (D) to tighten them under the bottom position with screws (A), flat Washer (C).

2



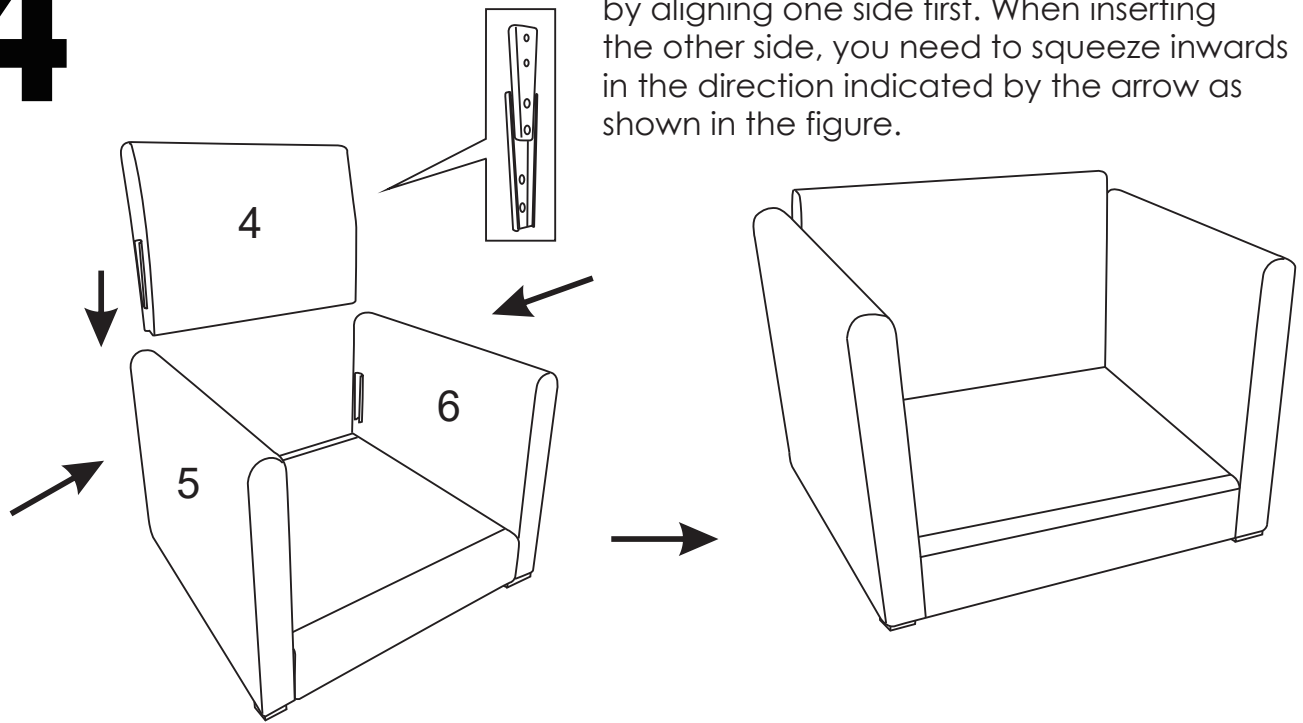
3. Assemble the chair legs (G) connect with left armrest (5) and right armrest (6). Use plastic washer (F) connect them under the bottom position.

3



4. Assemble the chair back (4) connect with left armrest (5) and right armrest (6).

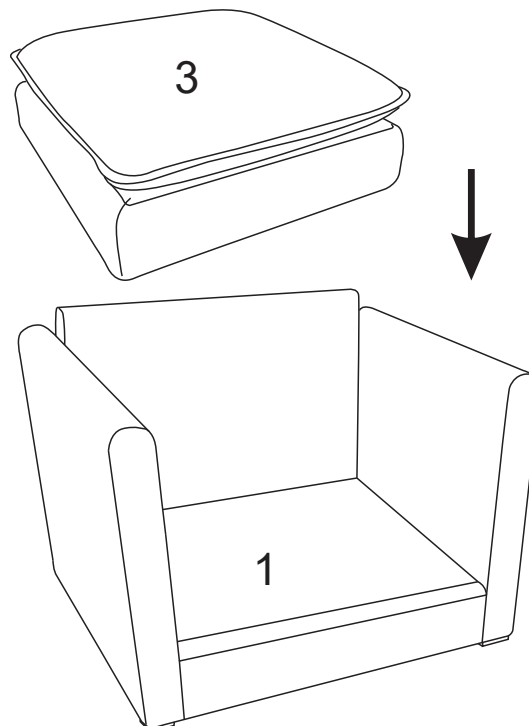
4



In order to attach the backrest to the seat smoothly, insert the backrest into the seat by aligning one side first. When inserting the other side, you need to squeeze inwards in the direction indicated by the arrow as shown in the figure.

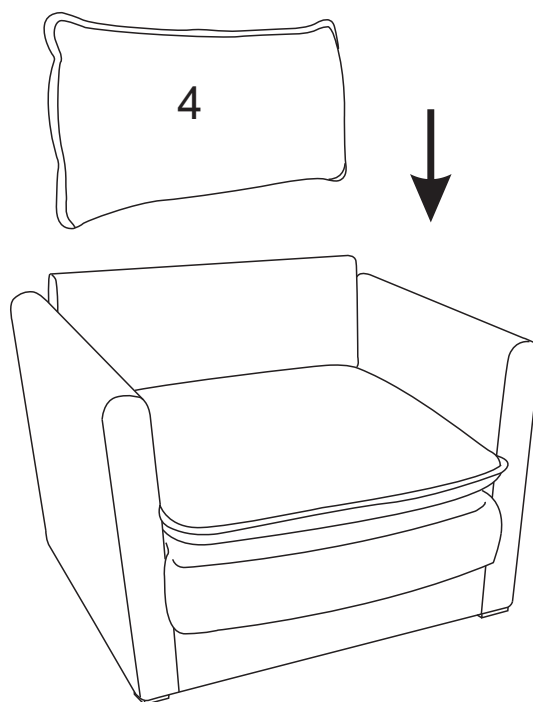
5. Put the seat cushion (3) on the bottom seat (1).

5

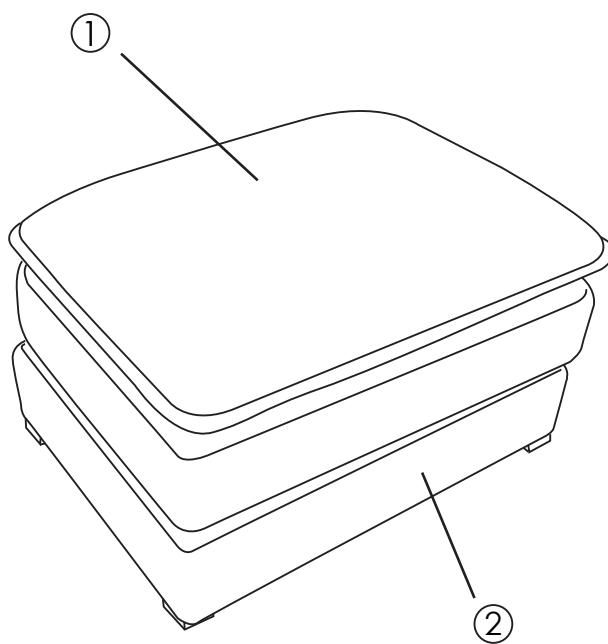


6. Put the chair pillow (4) on the seat.

6



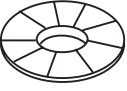
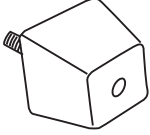
Exploded diagram:



Exploded diagram:

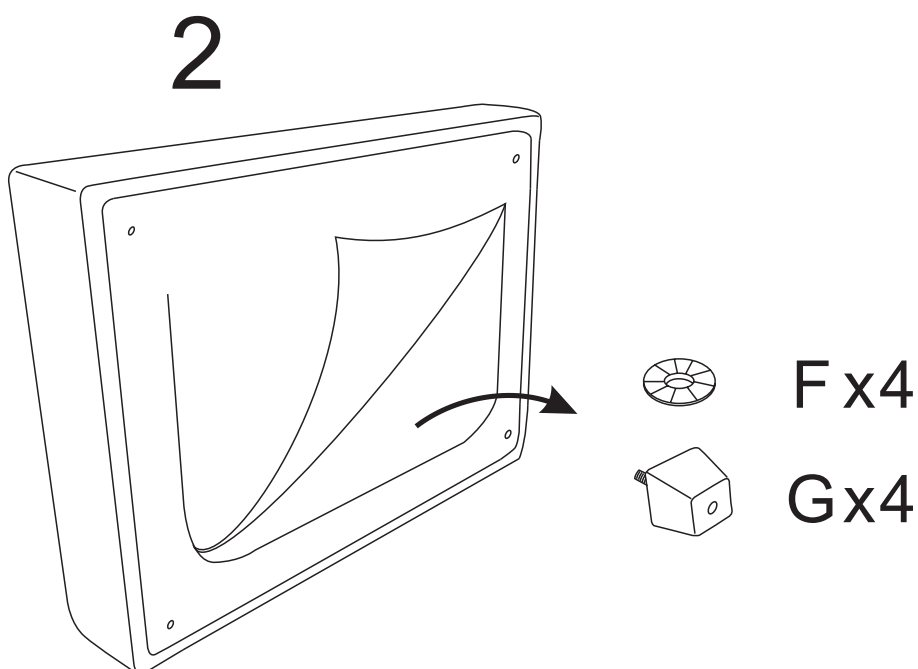
No.	Name	Pcs
1	Seat cushion	1
2	Bottom seat	1

Accessory list:

F			G					
								
Plastic Washer		4	legs		4			

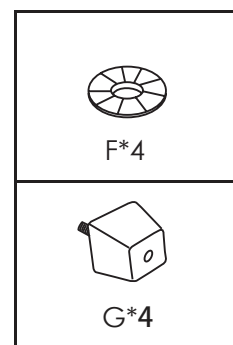
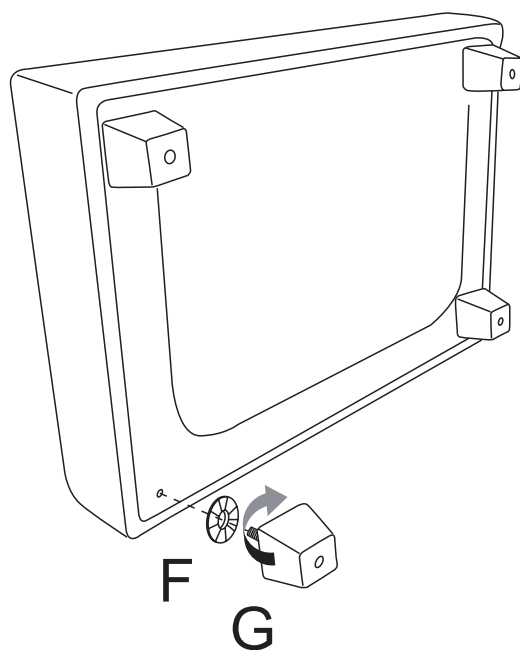
1. Take out the legs (G) and plastic washer (F) from the seat frame (2).

1



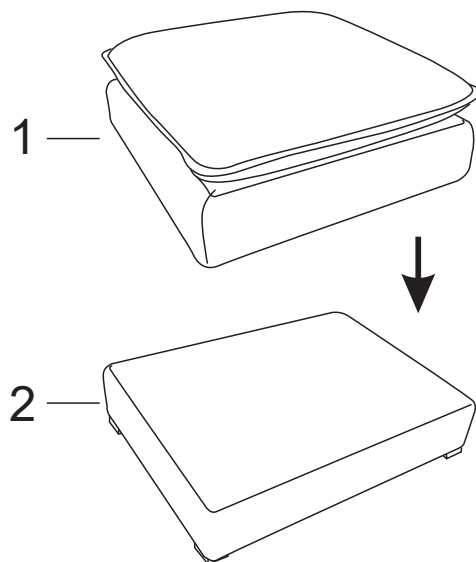
2. Assemble the bottom seat (2) with legs (G).
Use plastic washer (F) connect them under the bottom position.

2



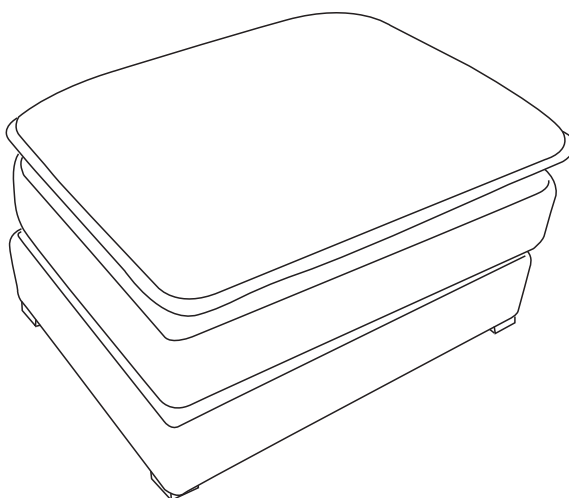
3. Put the seat cushion (1) on the bottom seat (2).

3

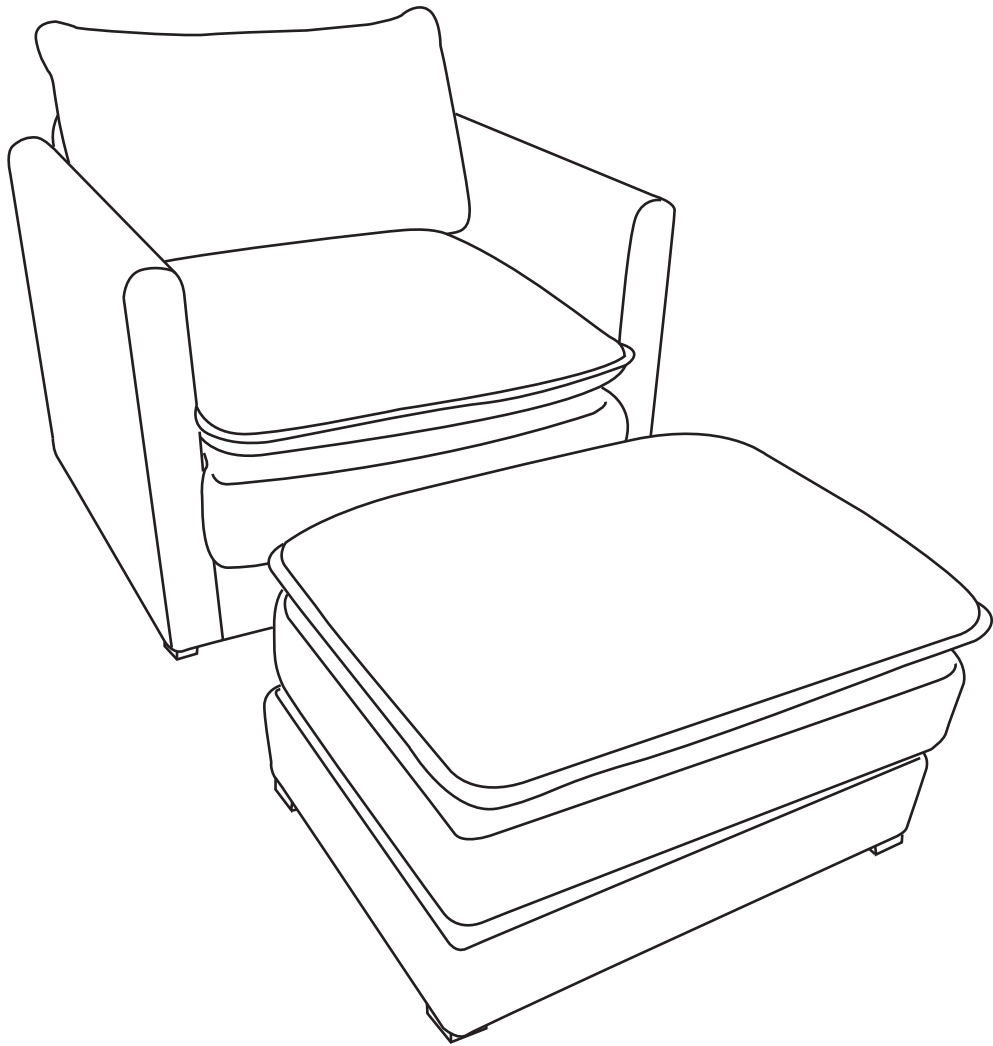


4. DONE.

4



Done



Warning

- Please keep the product away from children while assembling.
- Do not let children play or jump on the product.
- Do not stand on the item or use as a step ladder.
- Prior to use, please check to see if there's any loosening screw or part.
- Make sure that each screw and part is correctly installed and securely fastened.

Care and Maintenance

- Use a soft clean cloth that will not scratch the surface when dusting.
- There's no need to use furniture polish. If you need, test it first in an inconspicuous area.
- Using solvents of any kind on your furniture may damage the finish.
- Never use water to clean your furniture as it may cause damage to the finish.
- Liquid spills should be removed immediately.
- Gently blot the spill with a soft clean cloth to avoid rubbing.

Further advice about the furniture care

- It is best to keep your furniture in a climate-controlled environment.
- Extreme temperatures and humidity changes can cause fading, warping, shrinking and spitting of wood.
- We recommend to keep furniture from sunlight exposure to avoid possible surface damage.
- Proper maintenance and cleaning at home will extend the life of your purchase.
- Following these important and helpful tips will help retain your furniture's performance even when it ages.
- Periodically (every 90 days) make sure the screws are fully tightened.

Weight capacity: 250LBS.