
DEVI - D

CABINET

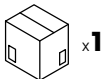
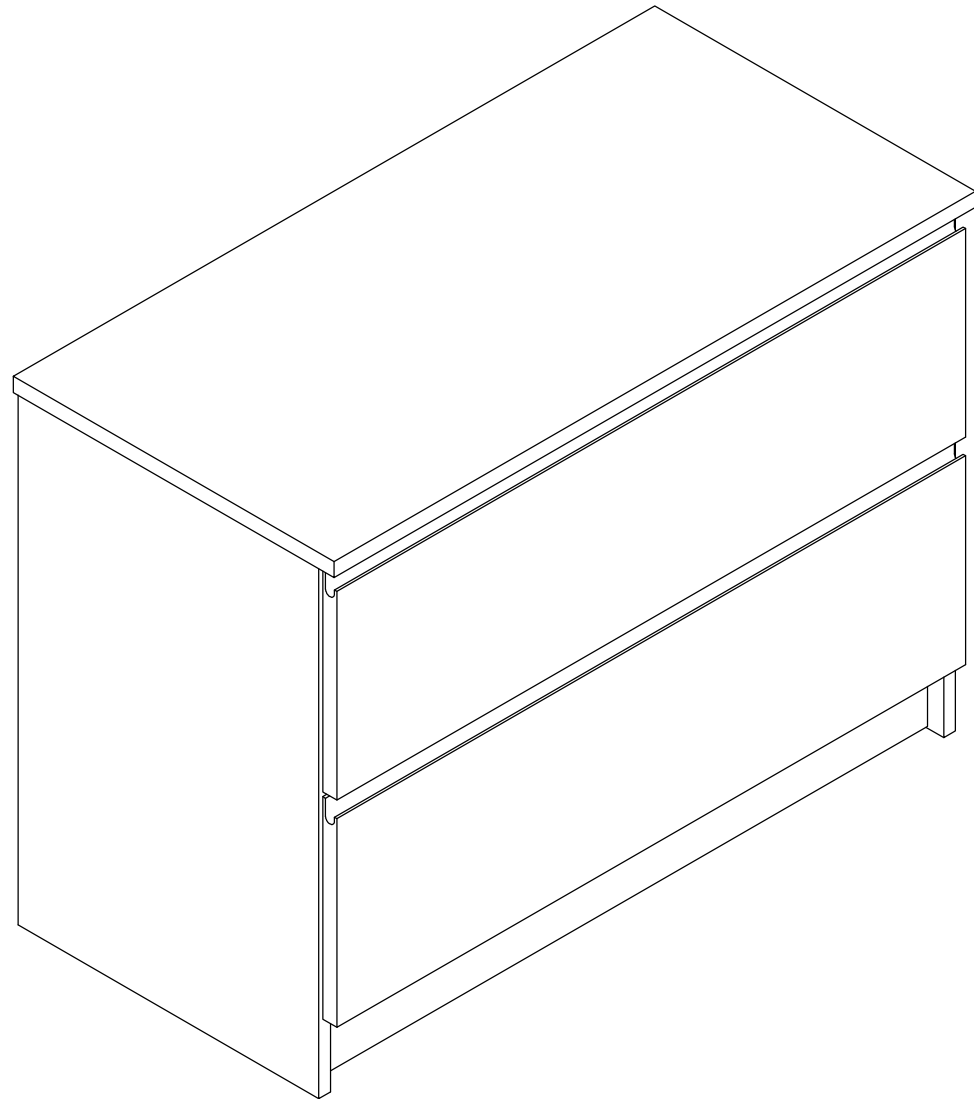
PLEASE READ

Thank you for purchasing this quality product.
A list of **PARTS** and **INSTRUCTIONS** are included to assist you.
Unpack and identify all parts included on the **PARTS LIST** and **HARDWARE LIST**.

Please retain all packaging until you are sure no parts and hardware are missing, then once you are satisfied with the product please dispose of all packaging responsibly.

If you require any additional information or help on assembly, please contact us at sales@garagetechusa.com

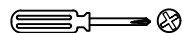
To expedite service, please indicate the model number and part number (letter code) of the part(s) needed.



60 minutes
2 Persons Assembly

Additional tools required:

Cross point screwdriver



IMPORTANT! READ CAREFULLY AND RETAIN FOR FUTURE REFERENCE

Due to small parts keep children clear during assembly.

Ensure all fittings are fully tightened before use and checked regularly and re-tightened as necessary.

When positioning your furniture ensure the ground is firm, level and dry.

Do not position your furniture in direct sunlight or close to a source of heat.

Take care when handling or moving furniture, always lift with assistance to avoid damaging your product.

WARNING!

Serious or fatal crushing injuries can occur from furniture tipping over.

To help prevent this please observe the following:

Do not let children climb or hang on the drawers, doors or shelves.

Place heaviest items in the lower drawers or shelves.

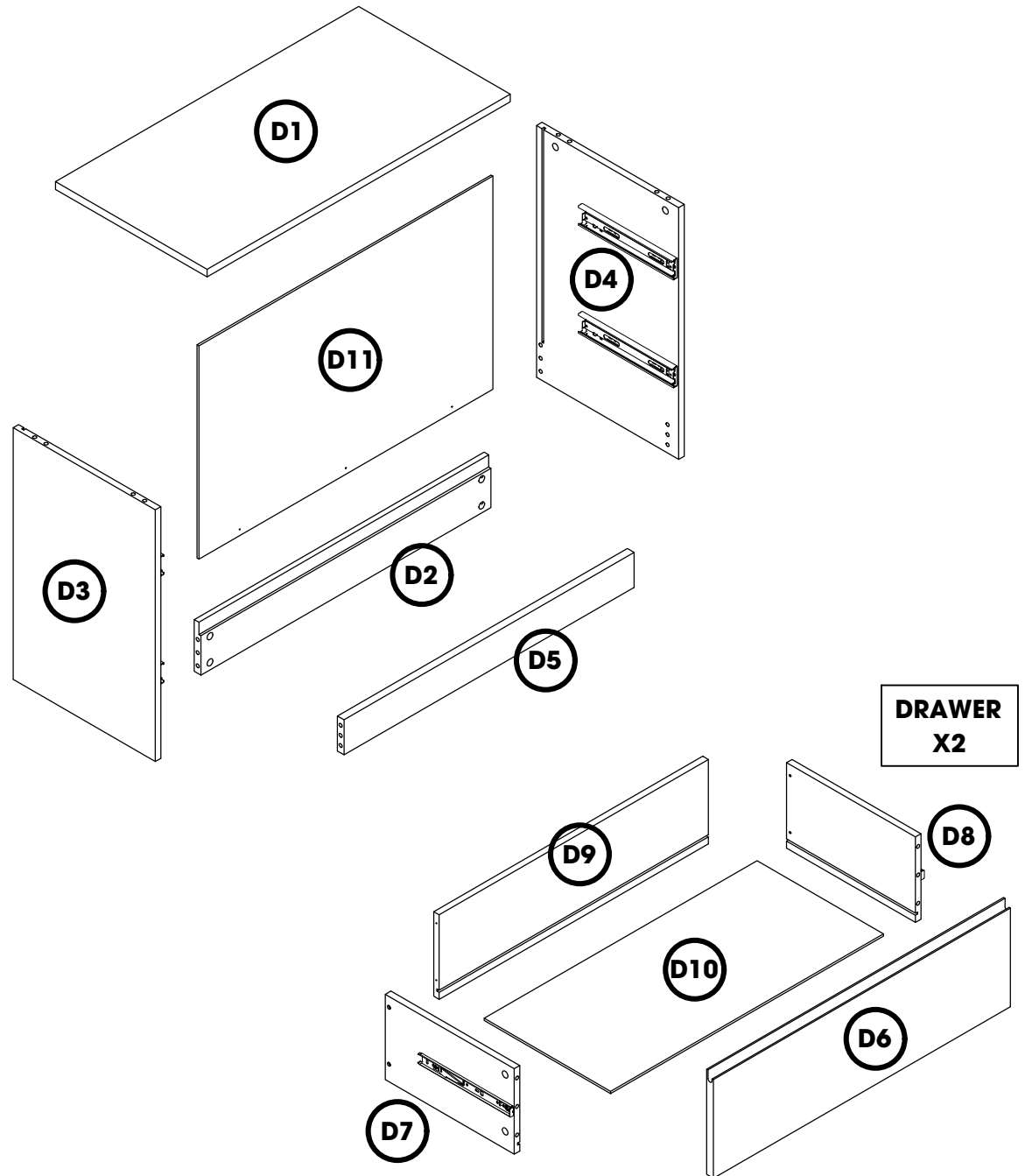
Do not place heavy objects on top of this product unless it has been specifically designed to support them.

Never open more than one drawer at a time.

If you require any additional information or help on assembly, please contact us at sales@garagetechusa.com

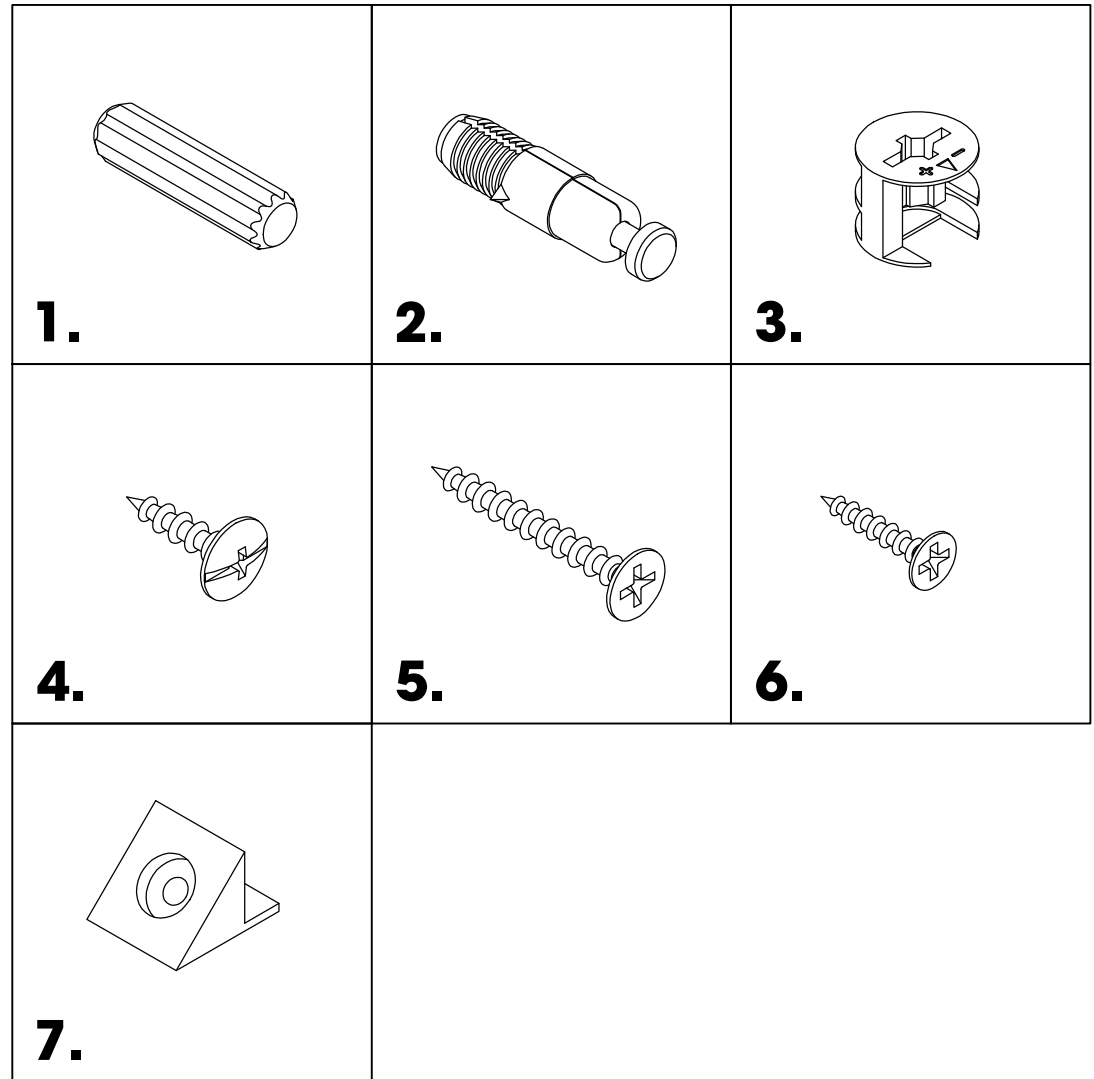
PARTS LIST

- D1.** Top 1pc
- D2.** Back stretcher 1pc
- D3.** Left side 1pc
- D4.** Right side 1pc
- D5.** Front stretcher 1pc
- D6.** Drawer front 2pcs
- D7.** Drawer left side 2pcs
- D8.** Drawer right side 2pcs
- D9.** Drawer back 2pcs
- D10.** Drawer bottom 2pcs
- D11.** Back panel 1pc



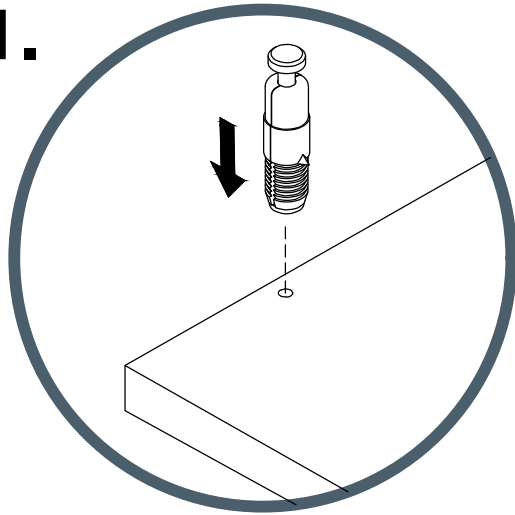
HARDWARE LIST

1. Wood dowel 8 x 30 14pcs
2. Spreading bolt 18pcs
3. Housing 15T 18pcs
4. Pan head screw M3 x 16 3pcs
5. Flat head screw M4 x 30 8pcs
6. Flat head screw M2.7 x 16 11pcs
7. Plastic support 11pcs

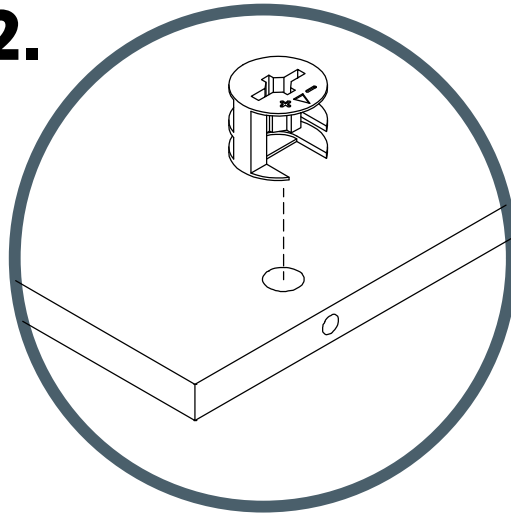


How to use the **SPREADING BOLT** and **HOUSING**

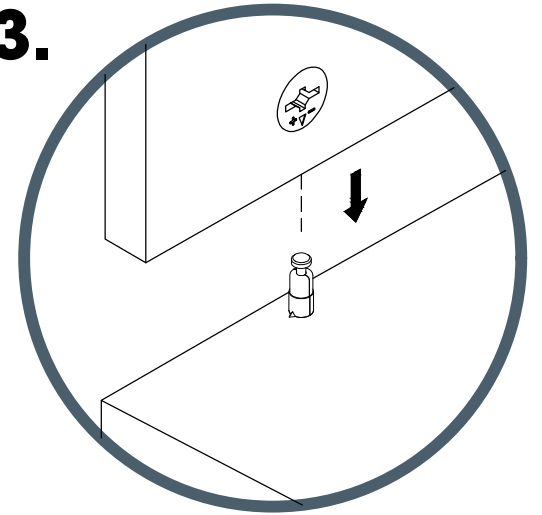
1.



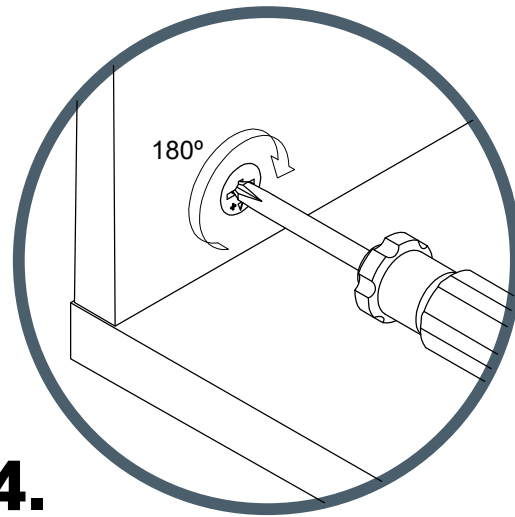
2.



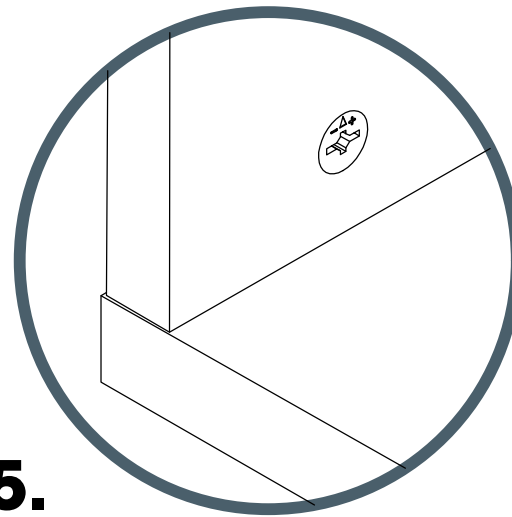
3.



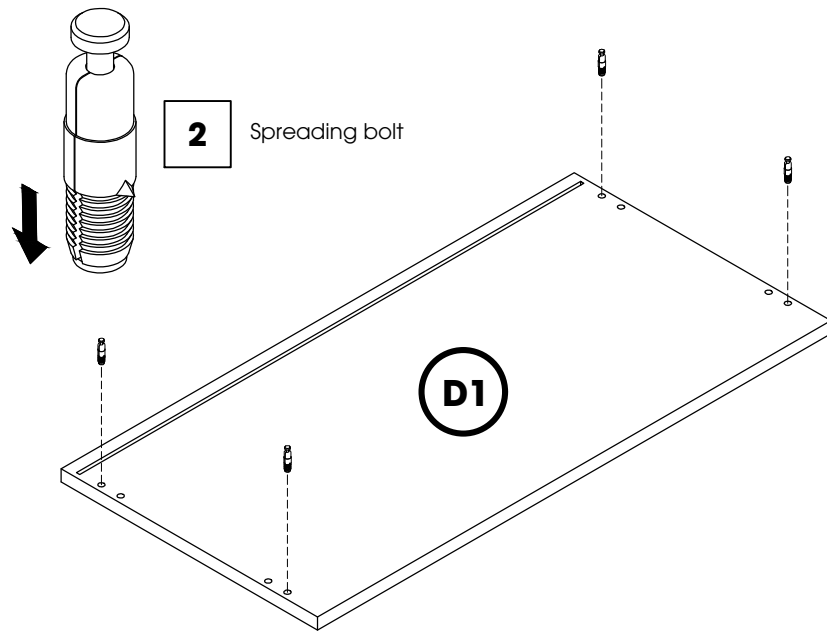
4.



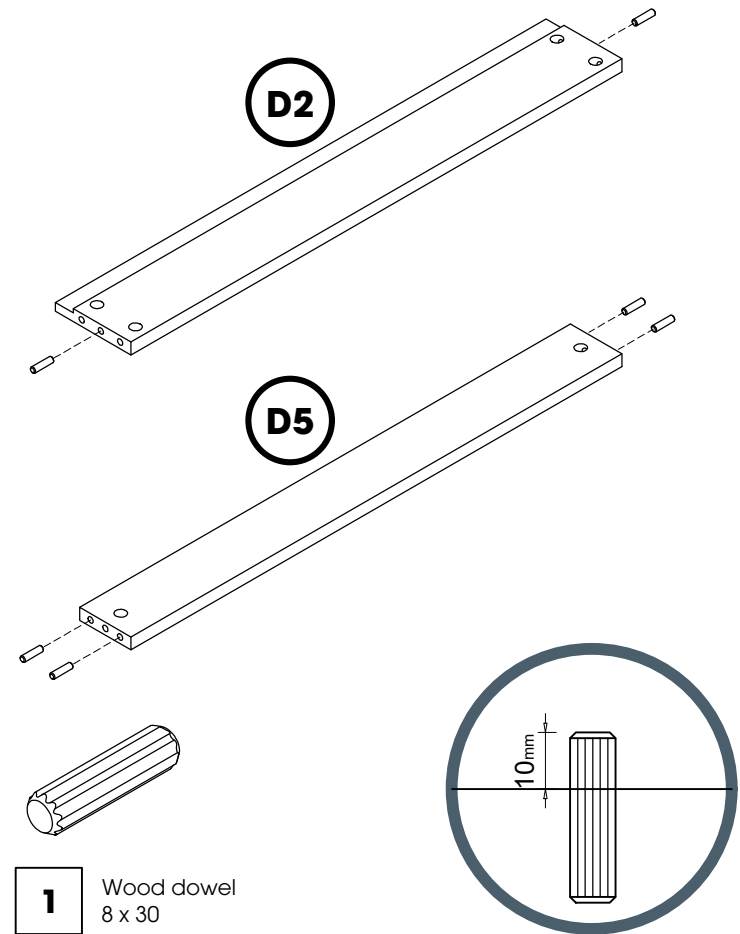
5.



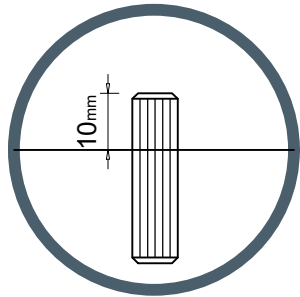
STEP 1



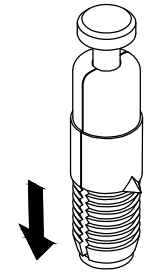
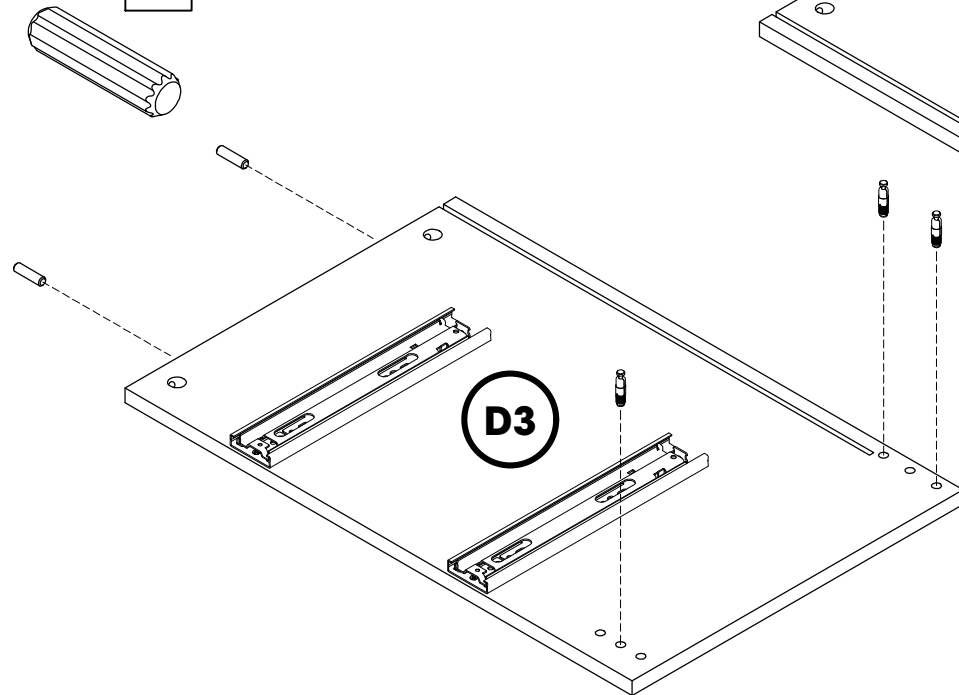
STEP 2



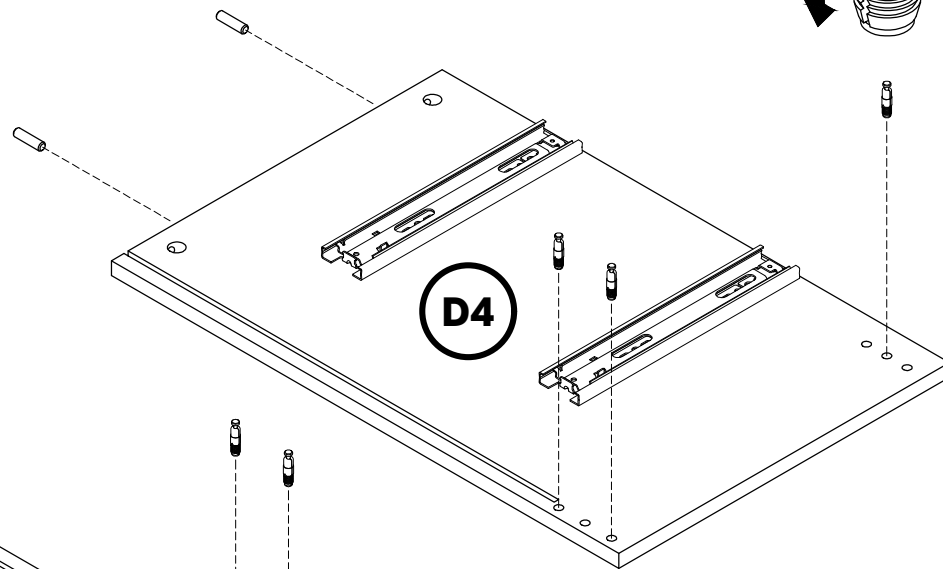
STEP 3



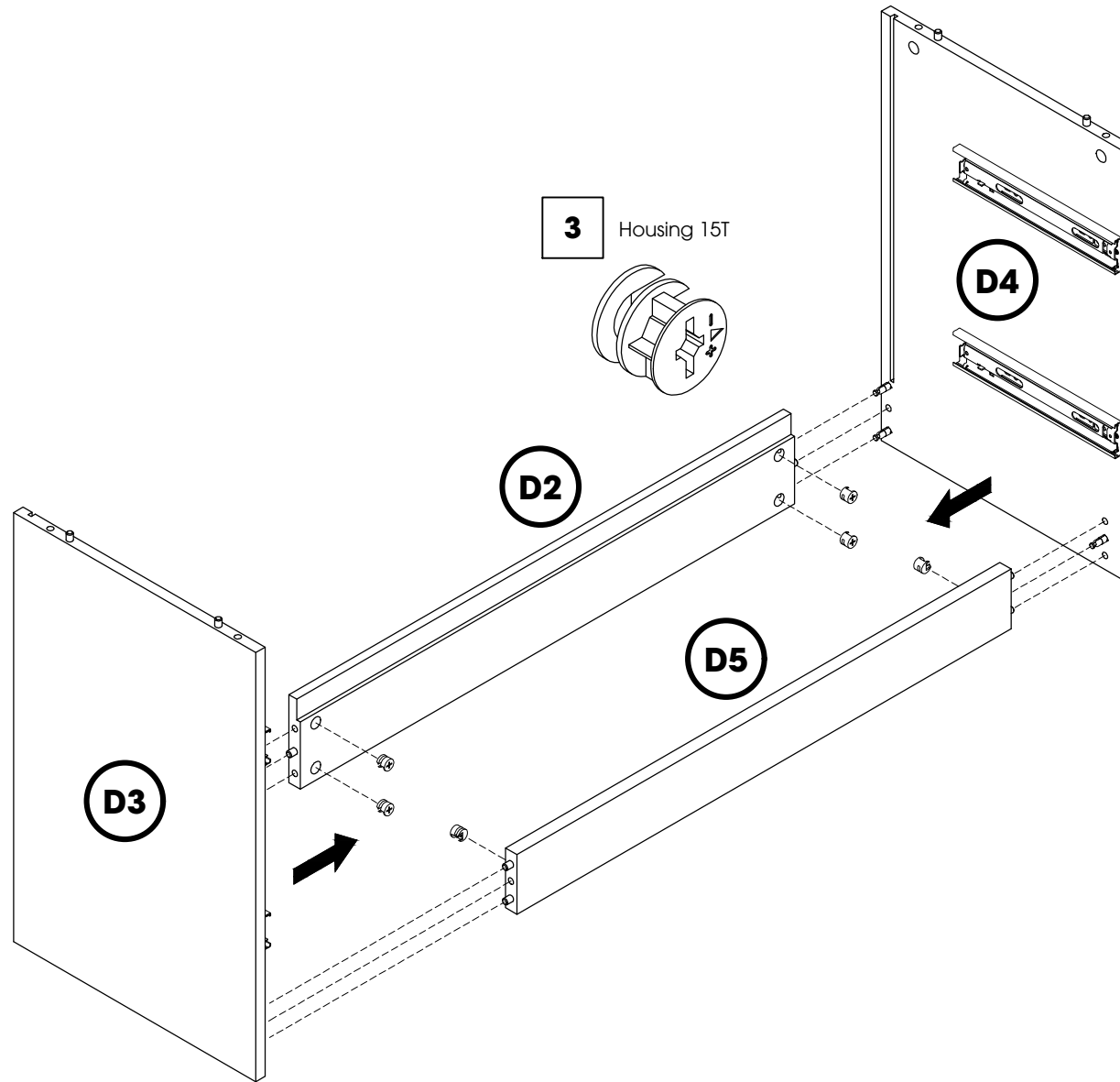
1 Wood dowel
8 x 30



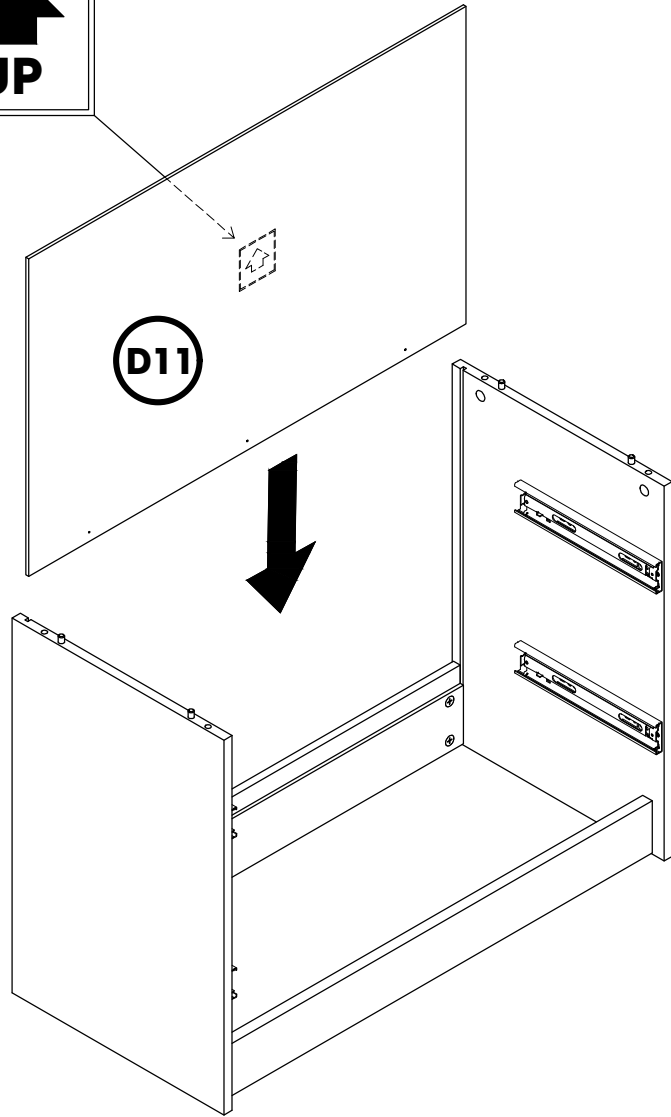
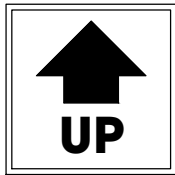
2 Spreading bolt



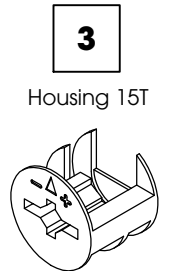
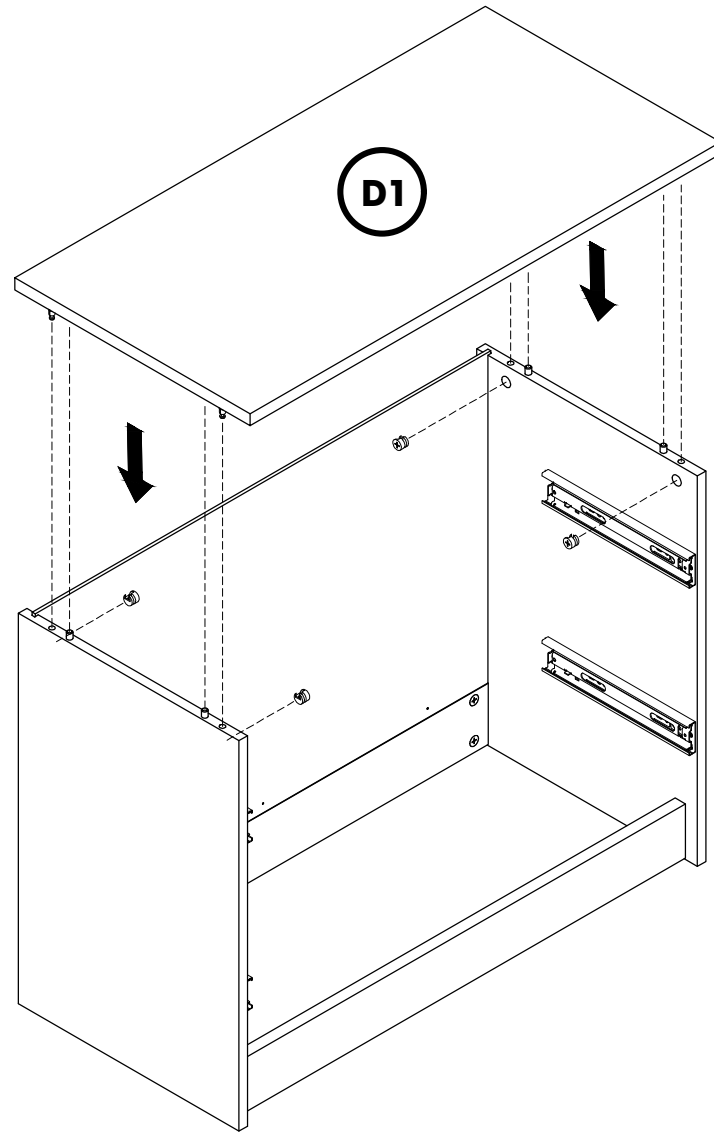
STEP 4



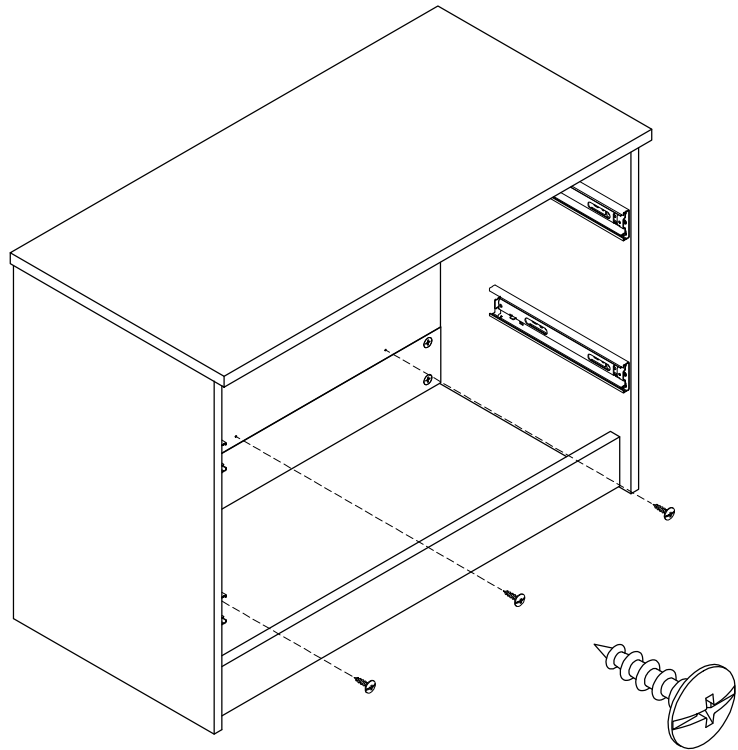
STEP 5



STEP 6



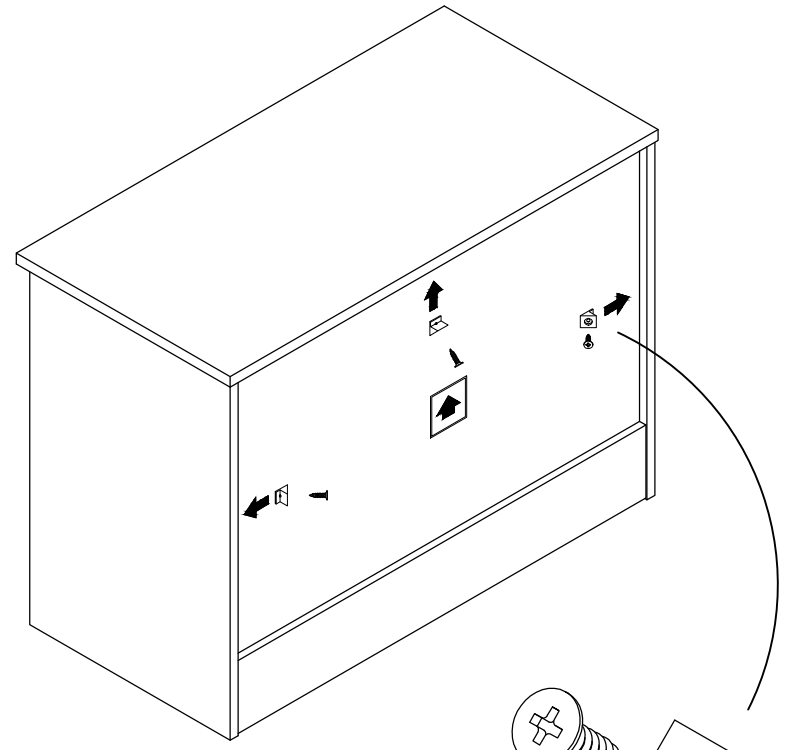
STEP 7



4

Pan head screw
M3 x 16

STEP 8



6

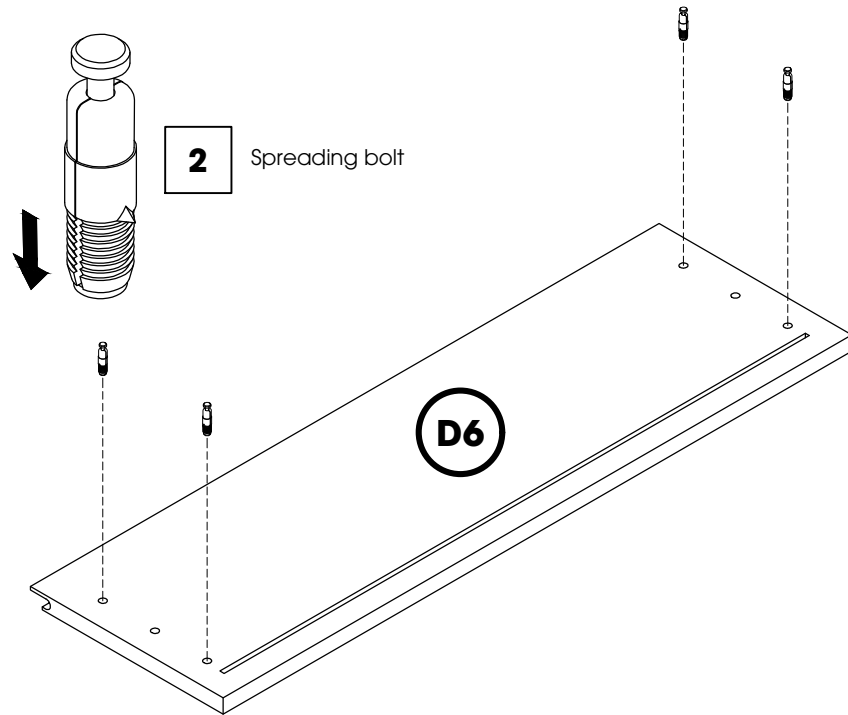
Flat head screw
M2.7 x 16

7

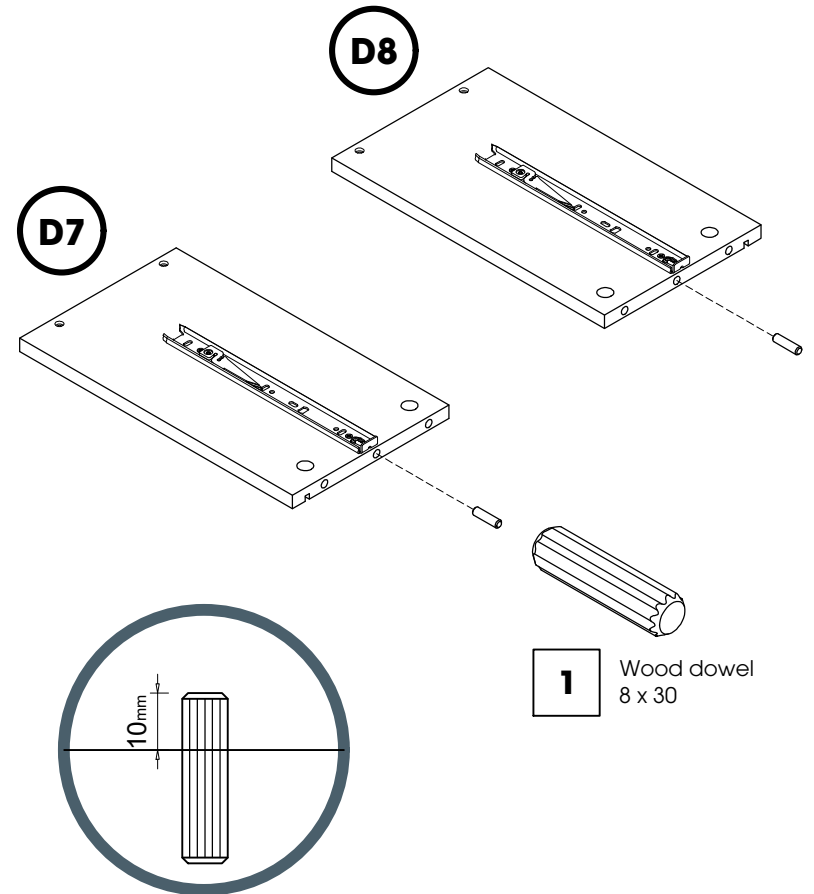
Plastic support

**DRAWER
X2**

STEP 9

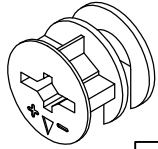
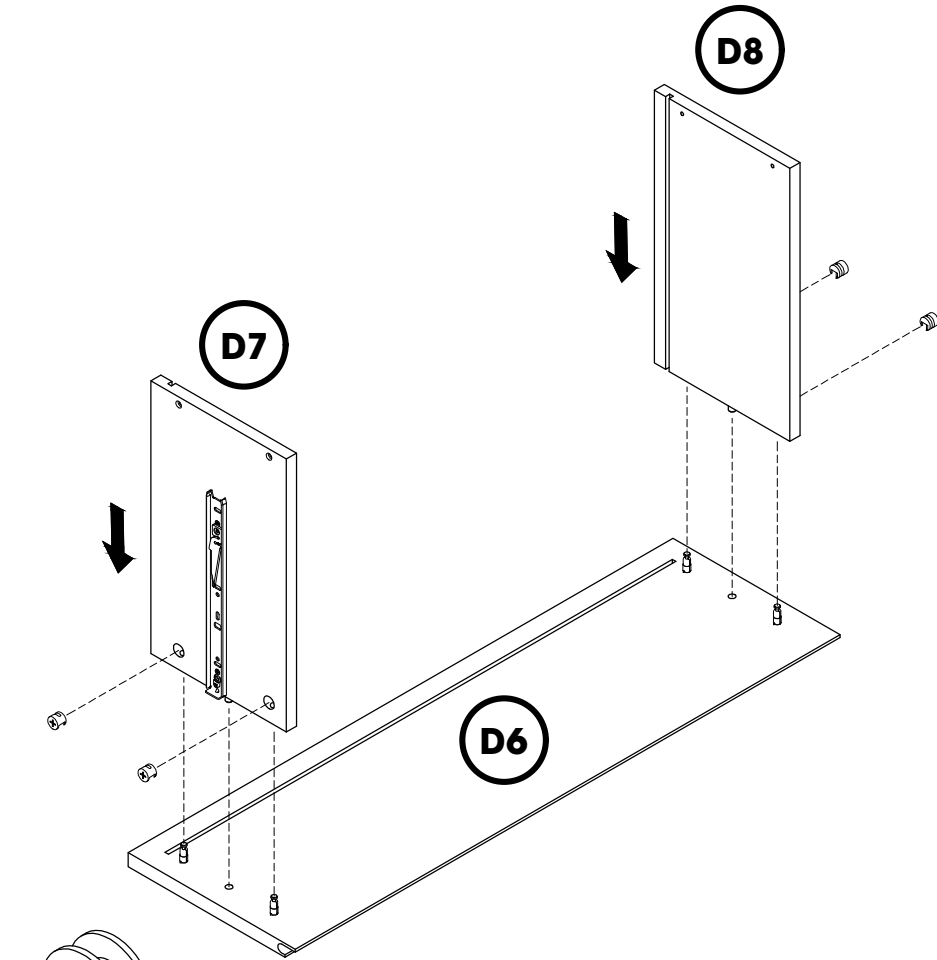


STEP 10



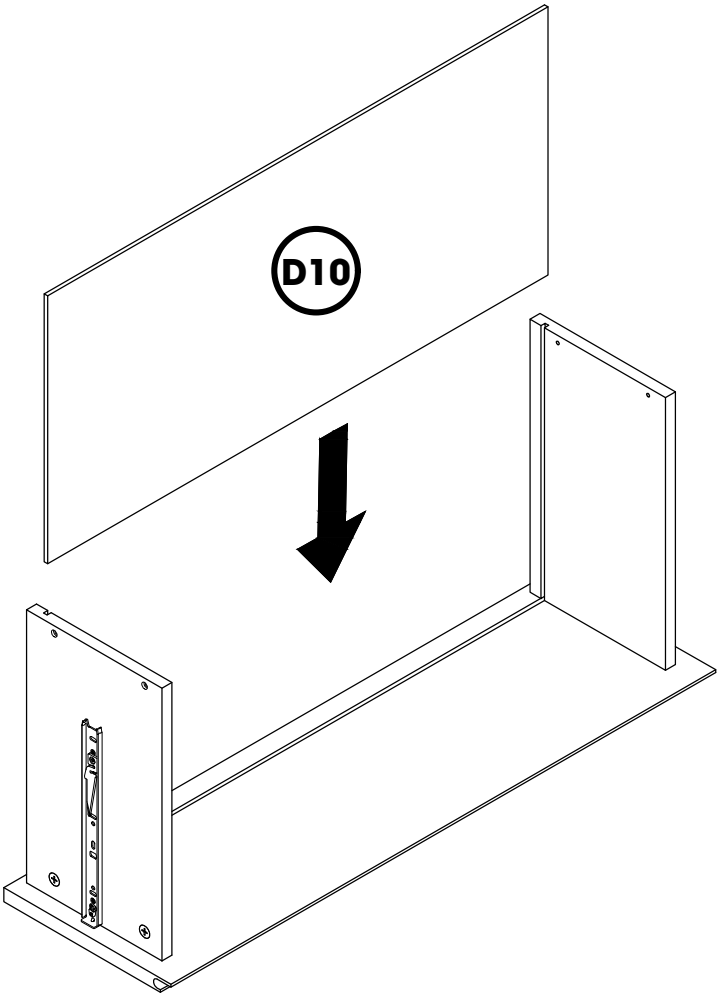
**DRAWER
X2**

STEP 11



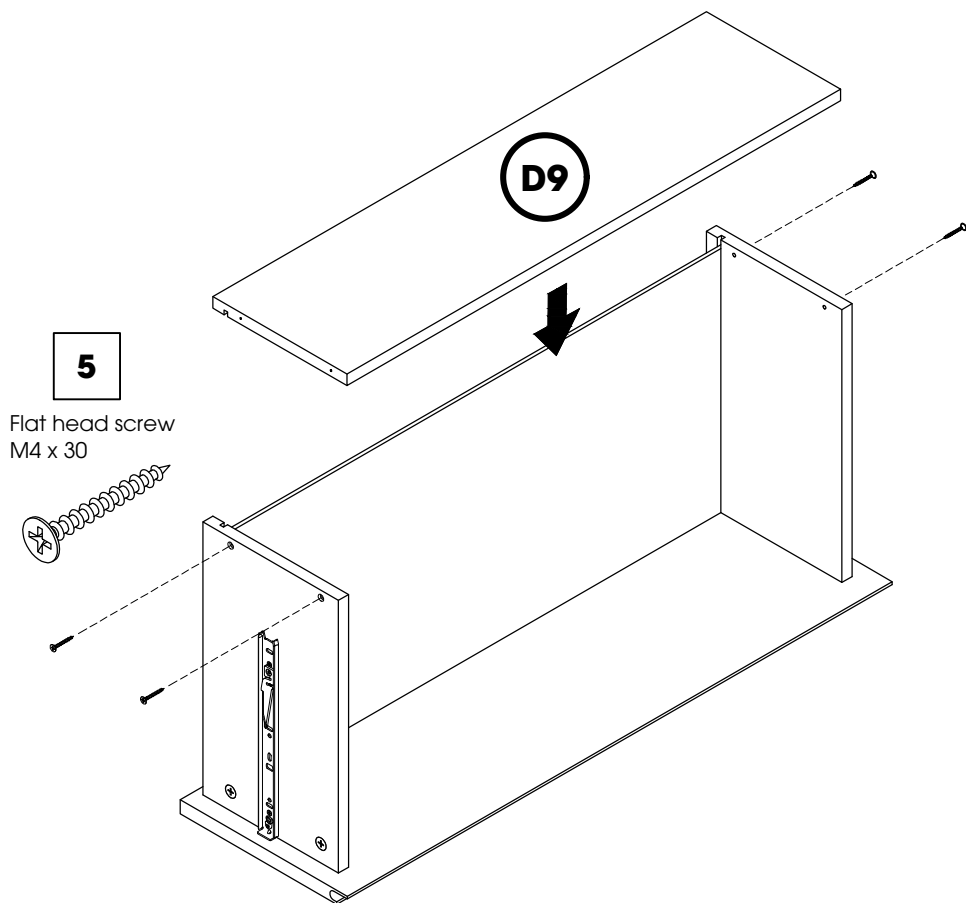
3 Housing 15T

STEP 12

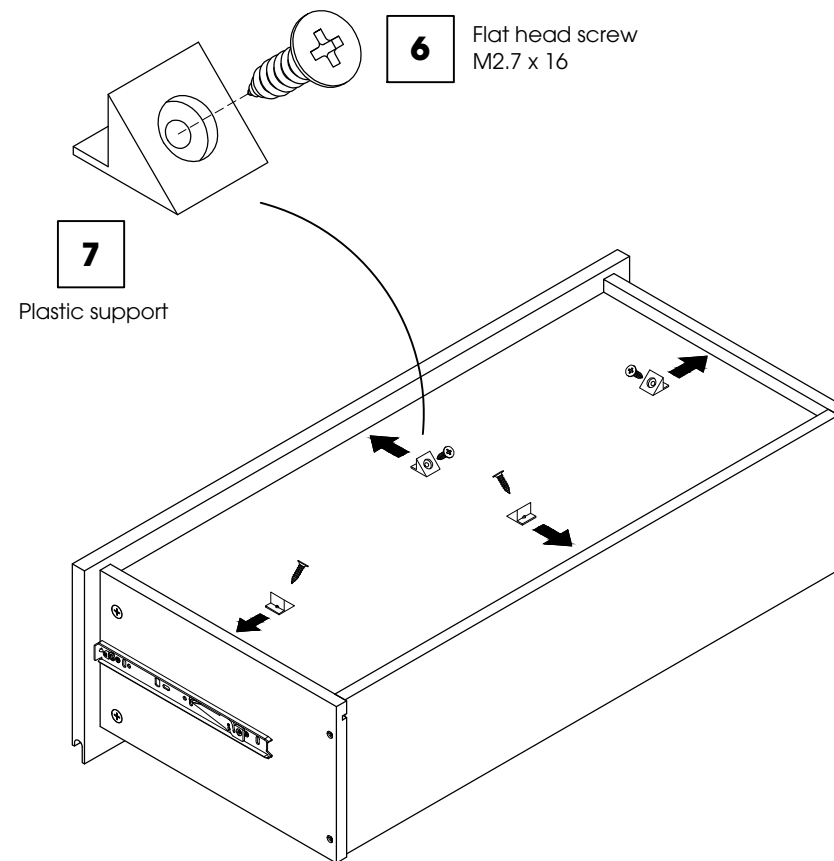


**DRAWER
X2**

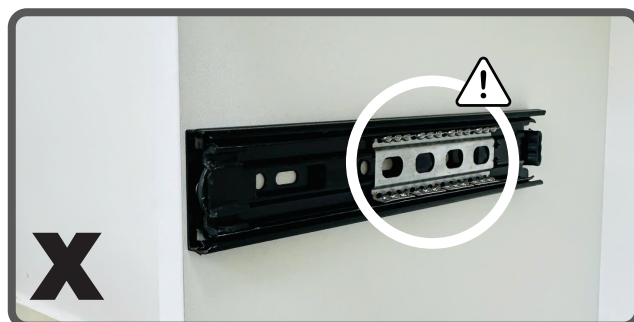
STEP 13



STEP 14

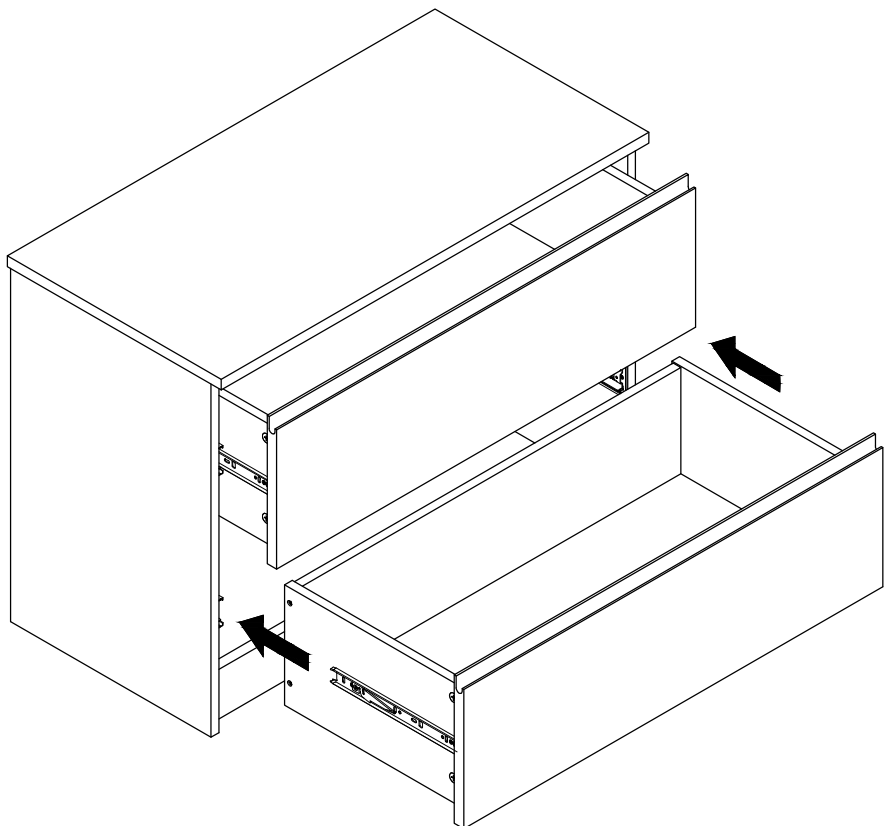


BE CAREFUL !



1. Push the ball to the outermost edge of the outer rail.
2. Drawer inner rail butts outer rail, then push it in parallel.
3. After hearing the click sound from both sides, firmly push the drawer in to ensure both drawer rails are installed properly.

STEP 15



COMPLETE

