

**Tips!**

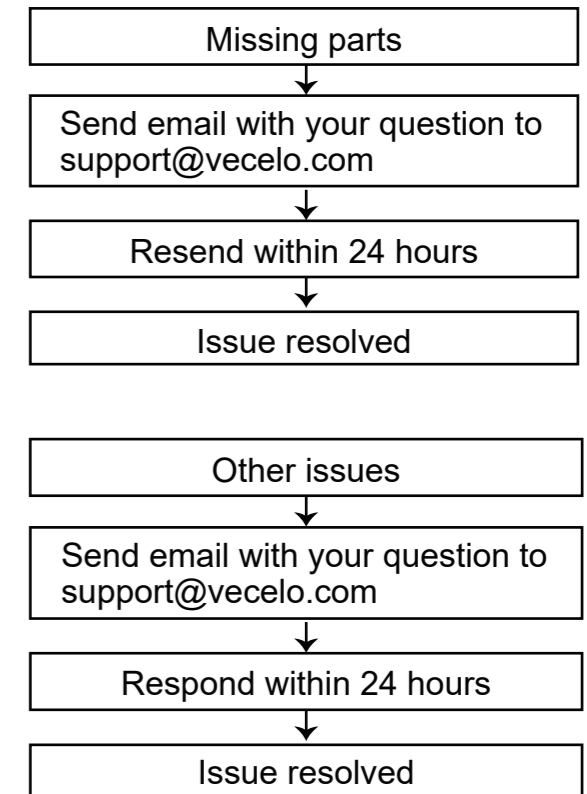
Check all the components & screws before assembly. **Do not install in case part is missing, contact us to get.** Send email with your question to support@vecelo.com. We will resend within 24 hours.

**Return Policy**

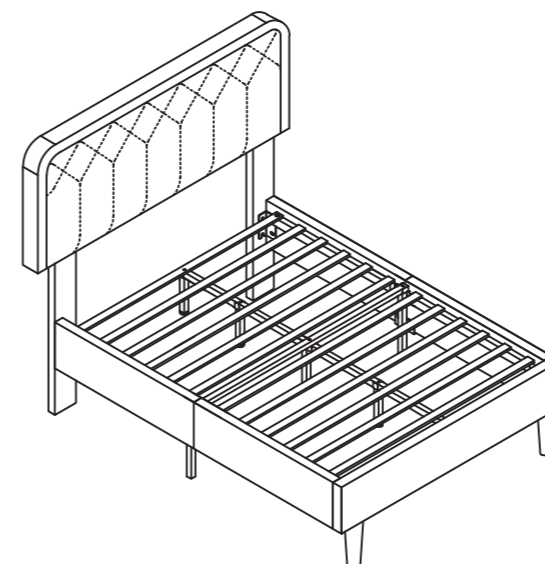
We believe you will absolutely love your new item. But if for some reason you want to return, please contact us directly before you decide to return your product. Our customer service organization can answer most concerns and assist you with any questions you may have about your new item, please email us first at: support@vecelo.com.

The item must be returned within 30 days of delivery for a full refund. The item must be returned in good condition, in original box, with all original proof of purchase, parts and accessories.

Trouble shooting:



We control manufacturing and distribution ourselves, ensure the quality.



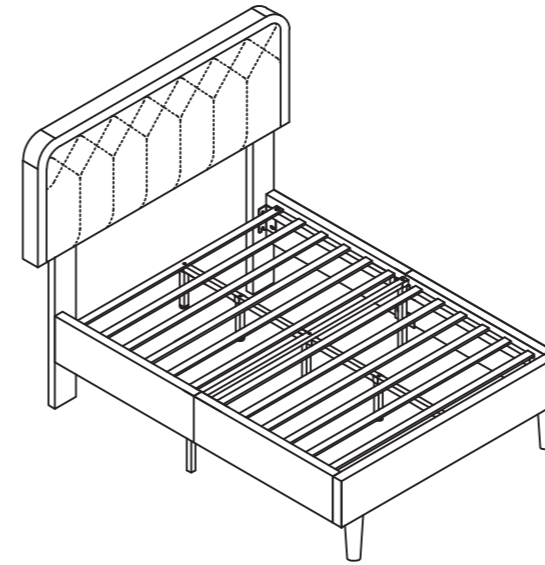
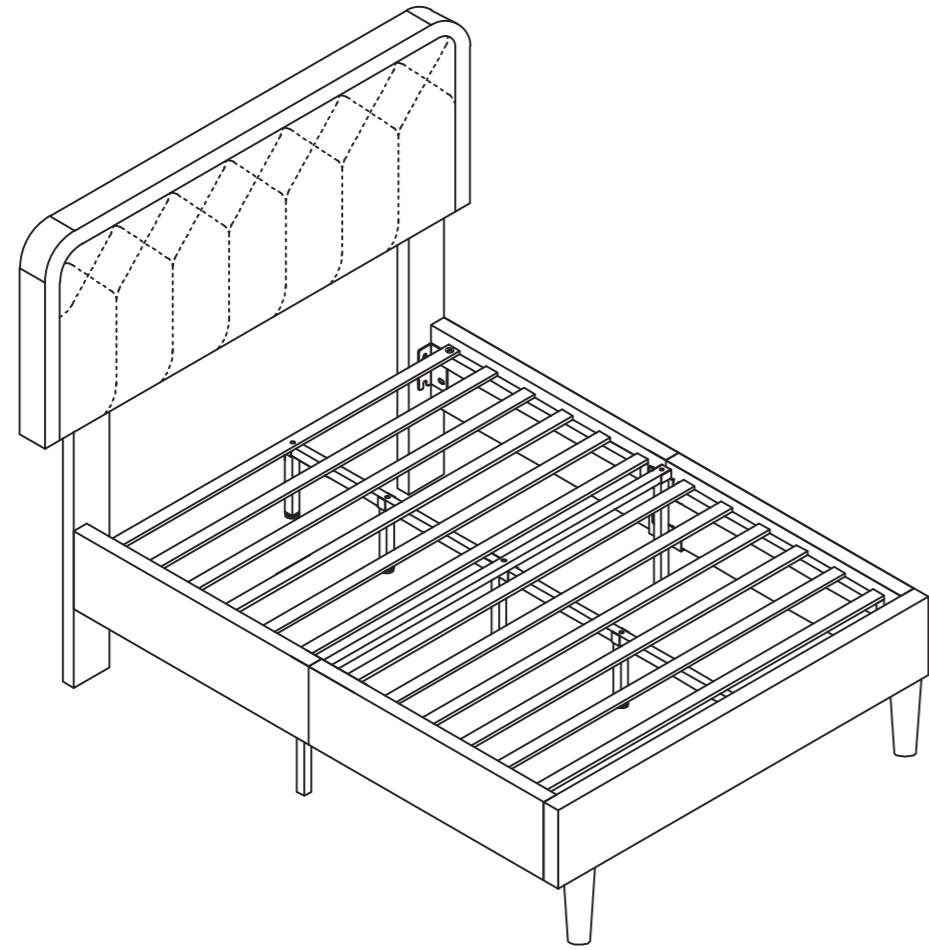
Item Description: Bed Frame

Dimension: TWIN:106\*195\*(101-121)cm

FULL:144\*195\*(101-121)cm

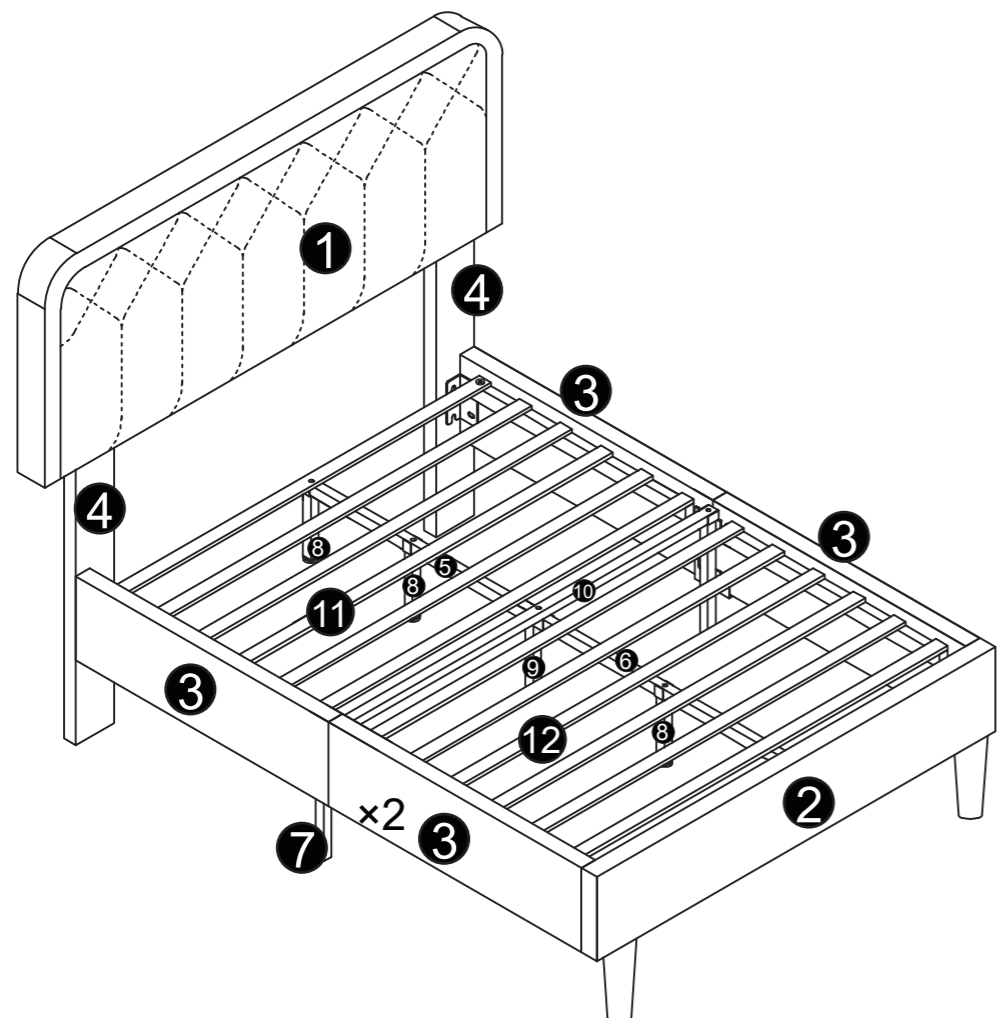
QUEEN:159.5\*207\*(101-121)cm

Model NO: CY-NO.1



## Bed Frame

Dimension: TWIN:106\*195\*(101-121)cm  
FULL:144\*195\*(101-121)cm  
QUEEN:159.5\*207\*(101-121)cm

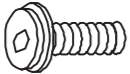
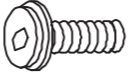





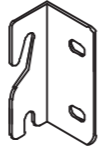
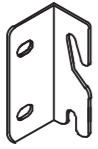


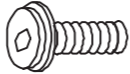


## How to find us?

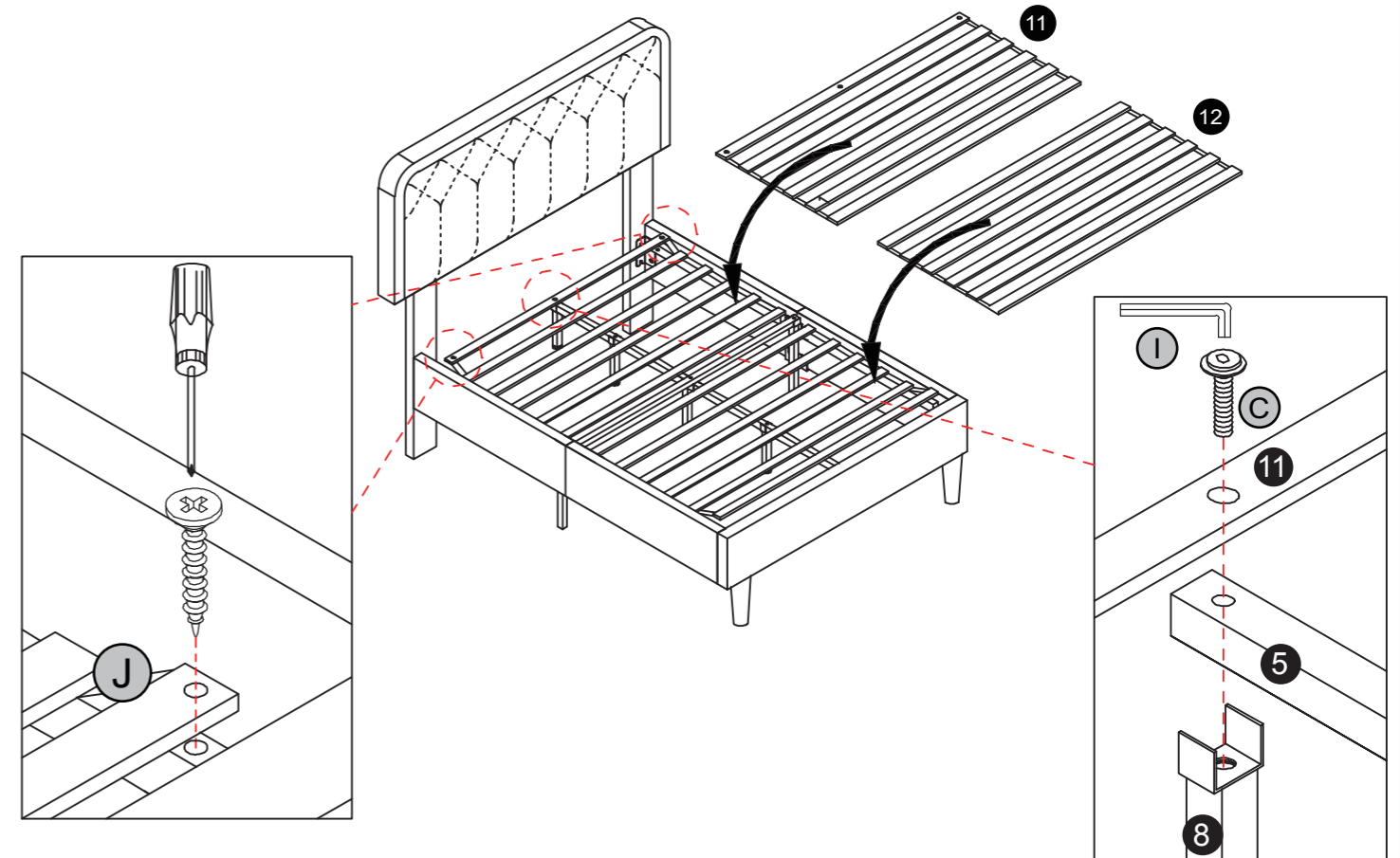
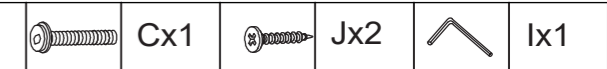
Email: [support@vecelo.com](mailto:support@vecelo.com)

Website: [www.vecelo.com](http://www.vecelo.com)



|          |   |   |            |   |    |
|----------|---|---|------------|---|----|
| <b>A</b> | <br>Bolt M8 x 25         | 2 | <b>A-1</b> | <br>Preinstalled on components<br>Bolt M8 x 25   | 4  |
| <b>B</b> | <br>Bolt M8 x 45         | 4 | <b>C</b>   | <br>Bolt M8 x 45                                 | 5  |
| <b>D</b> | <br>Spacer               | 4 | <b>E</b>   | <br>Angle iron                                   | 2  |
| <b>F</b> | <br>Foot               | 2 | <b>G</b>   | <br>Angle iron (Left)                          | 1  |
| <b>H</b> | <br>Angle iron (Right) | 1 | <b>I</b>   | <br>Allen Key M5                               | 1  |
| <b>J</b> | <br>Screw M4 x 25      | 2 | <b>L-1</b> | <br>Preinstalled on components<br>Bolt M8 x 18 | 22 |

### Step 9

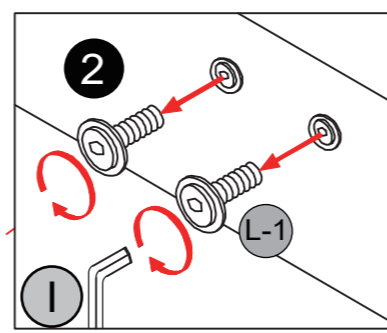


# Step 8

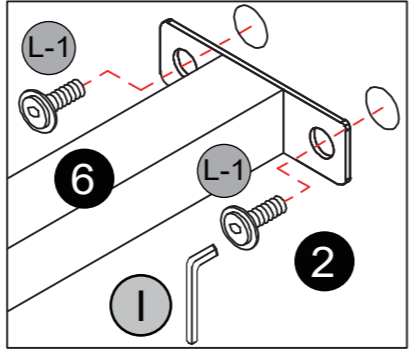
- L-1 x 2
- Cx2
- lx1

Unscrew the original screw

8-1

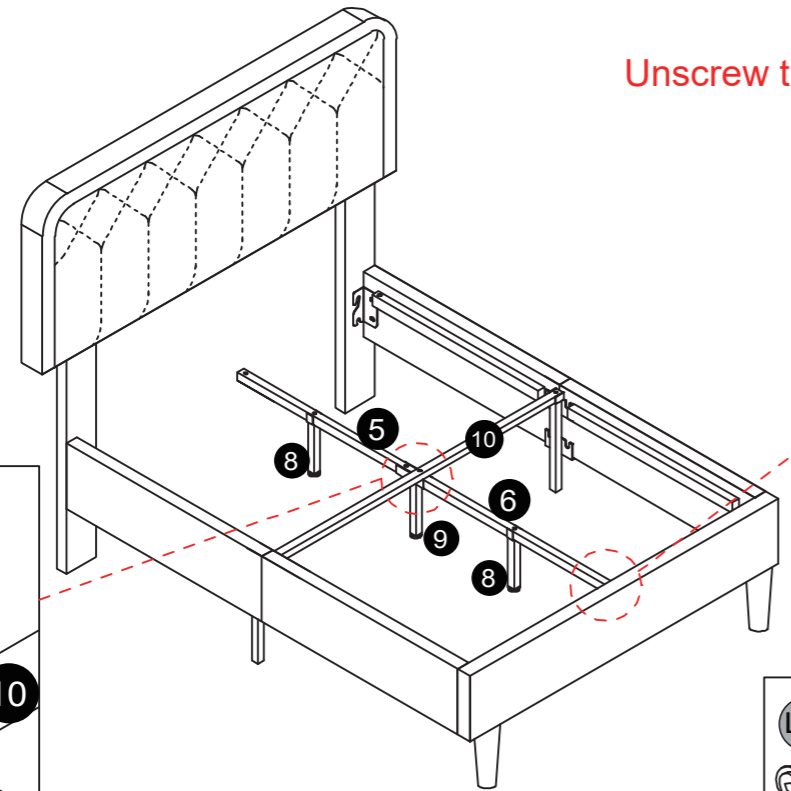
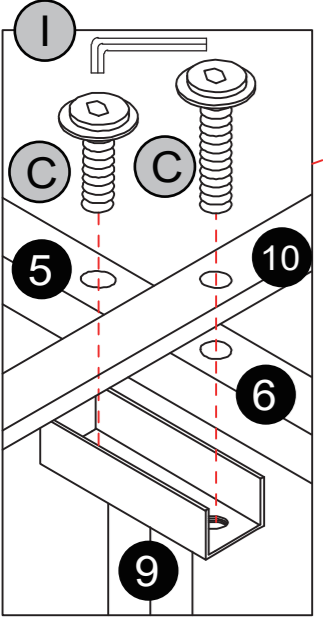


8-2 ↓



Tighten the original screw

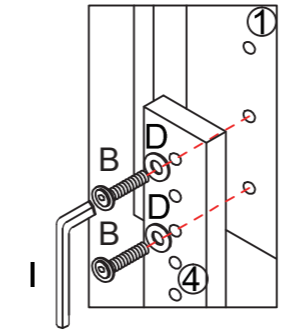
8-3



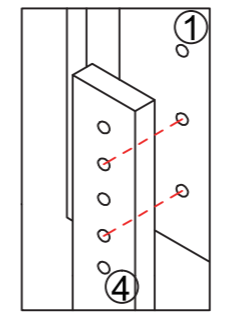
# Step 1

Each pair of holes corresponds to a mattress thickness as shown below

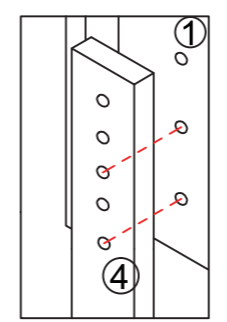
- Bx4
- Dx4
- lx1



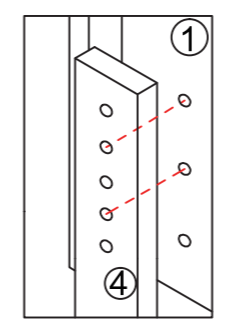
Use these holes to fit a 12 inch thick mattress (47.6 inch tall overall)



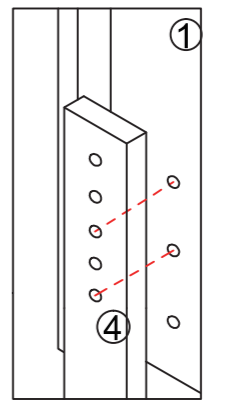
Use these holes to fit a 10 inch thick mattress (45.6 inch tall overall)



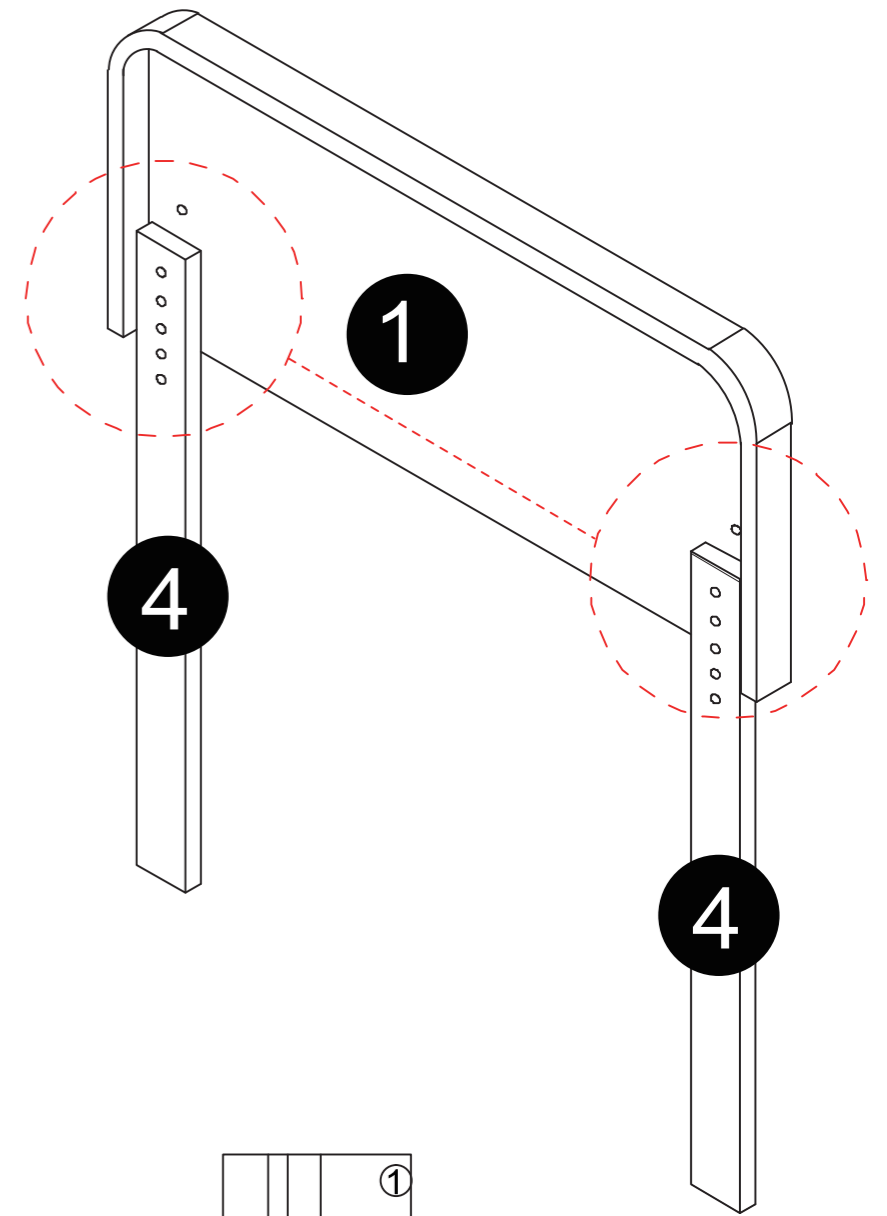
Use these holes to fit a 8 inch thick mattress (43.6 inch tall overall)



Use these holes to fit a 6 inch thick mattress (41.6 inch tall overall)



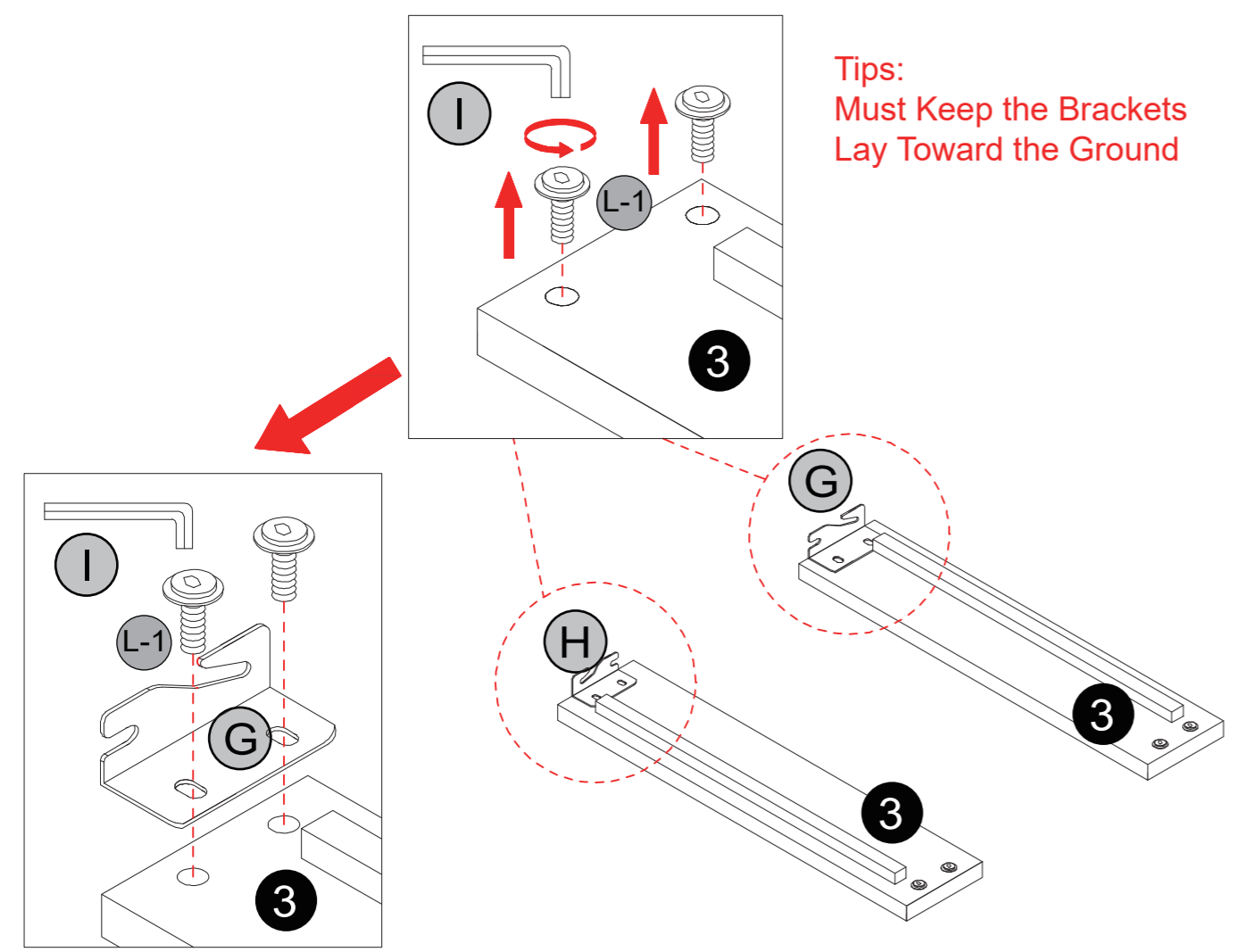
Use these holes to fit a 4 inch thick mattress (39.6 inch tall overall)



# Step 2

- L-1 x 4
- Gx1
- Hx1
- Ix1

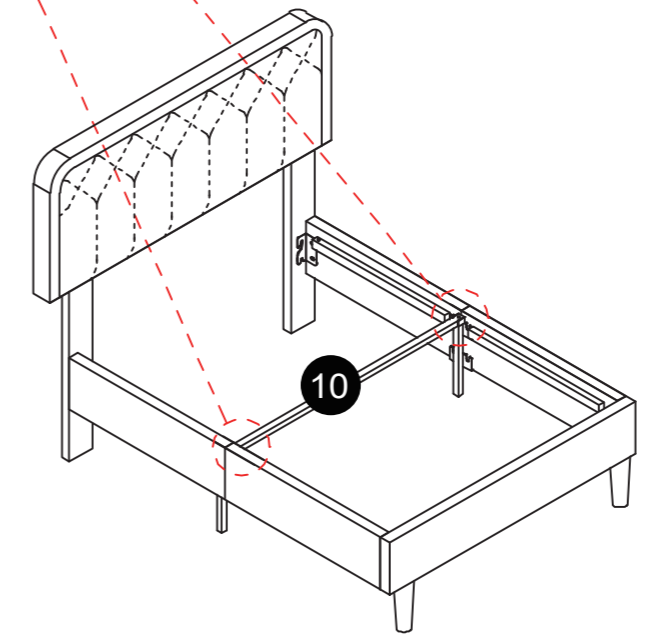
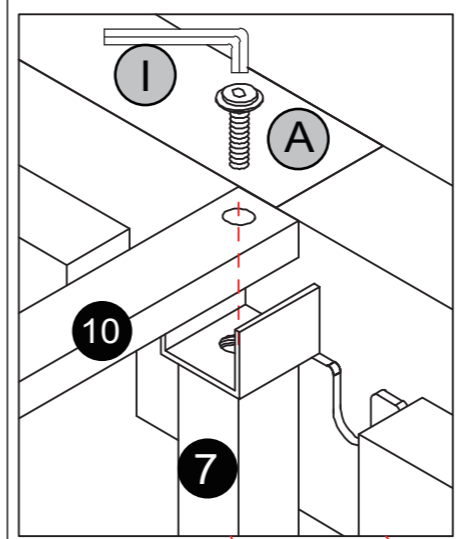
Tips:  
Must Keep the Brackets  
Lay Toward the Ground



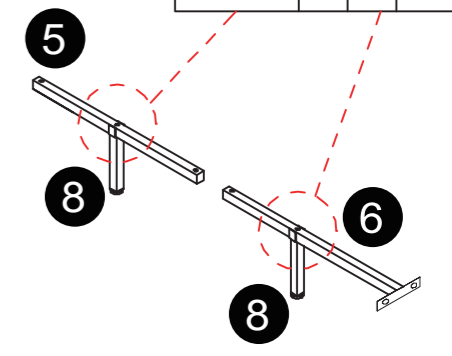
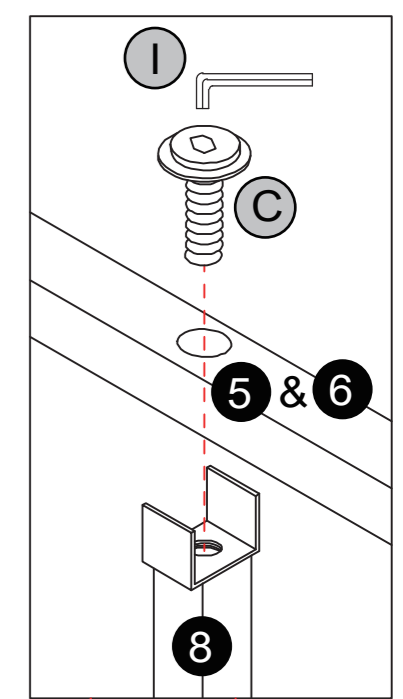
# Step 7

- Ax2
- Cx2
- Ix1


## 7-1

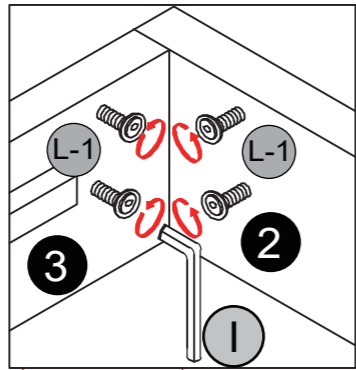
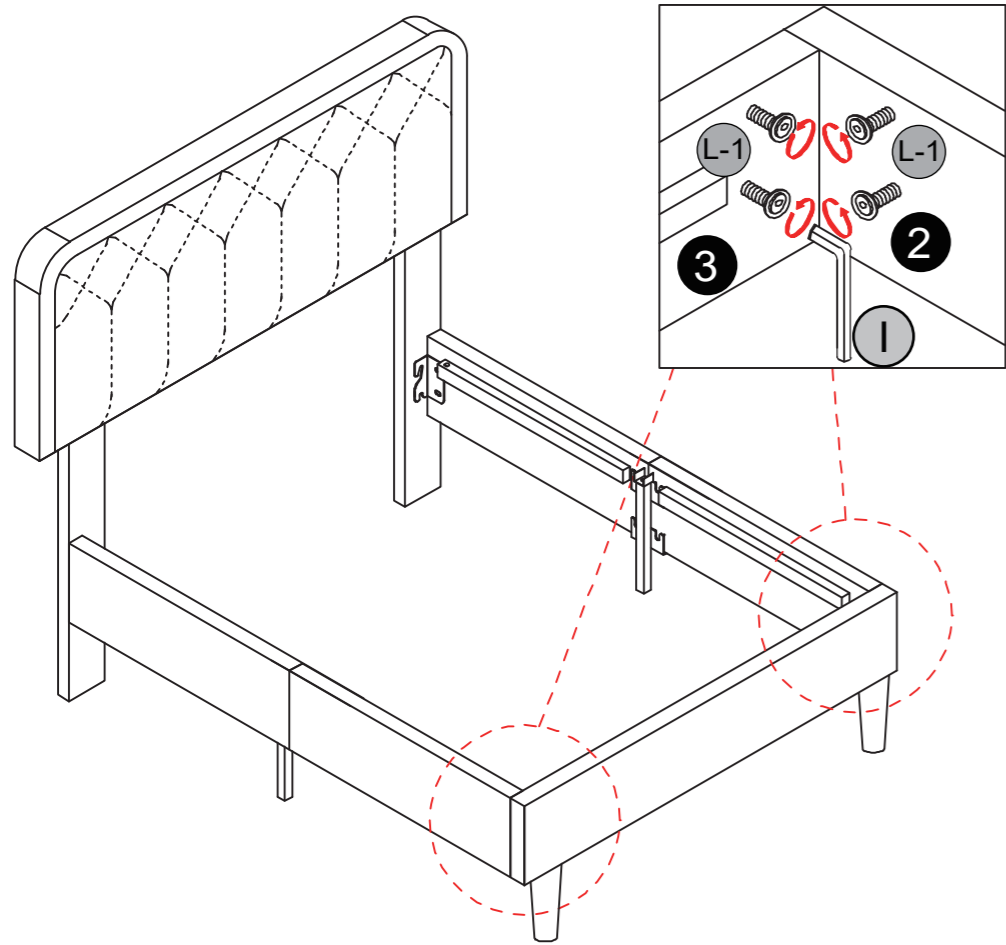


## 7-2

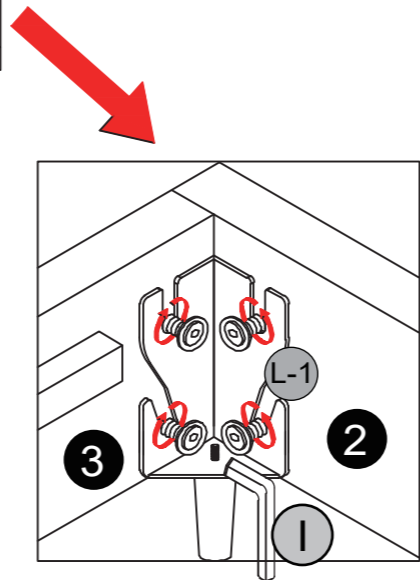


# Step 6

L-1 x 8  1x1

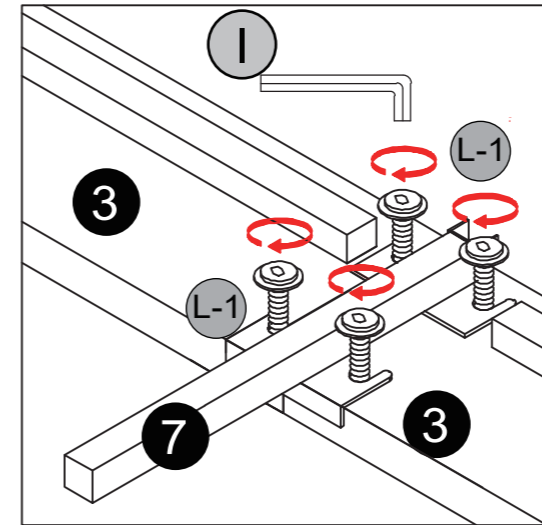
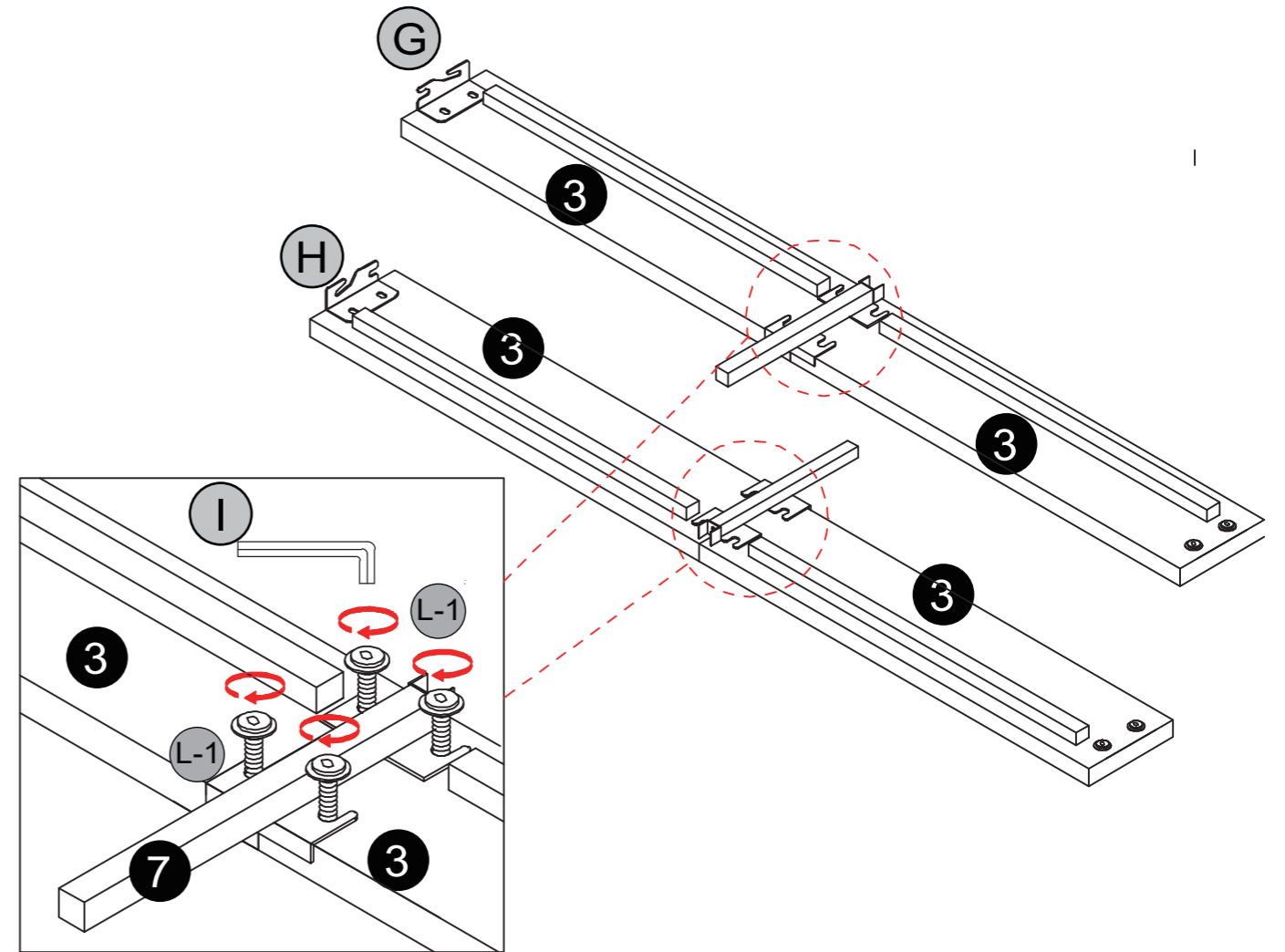


Tips:  
Loose the Preinstalled  
4 Screws for leg  
Installation, and Then  
Tighten Them Again




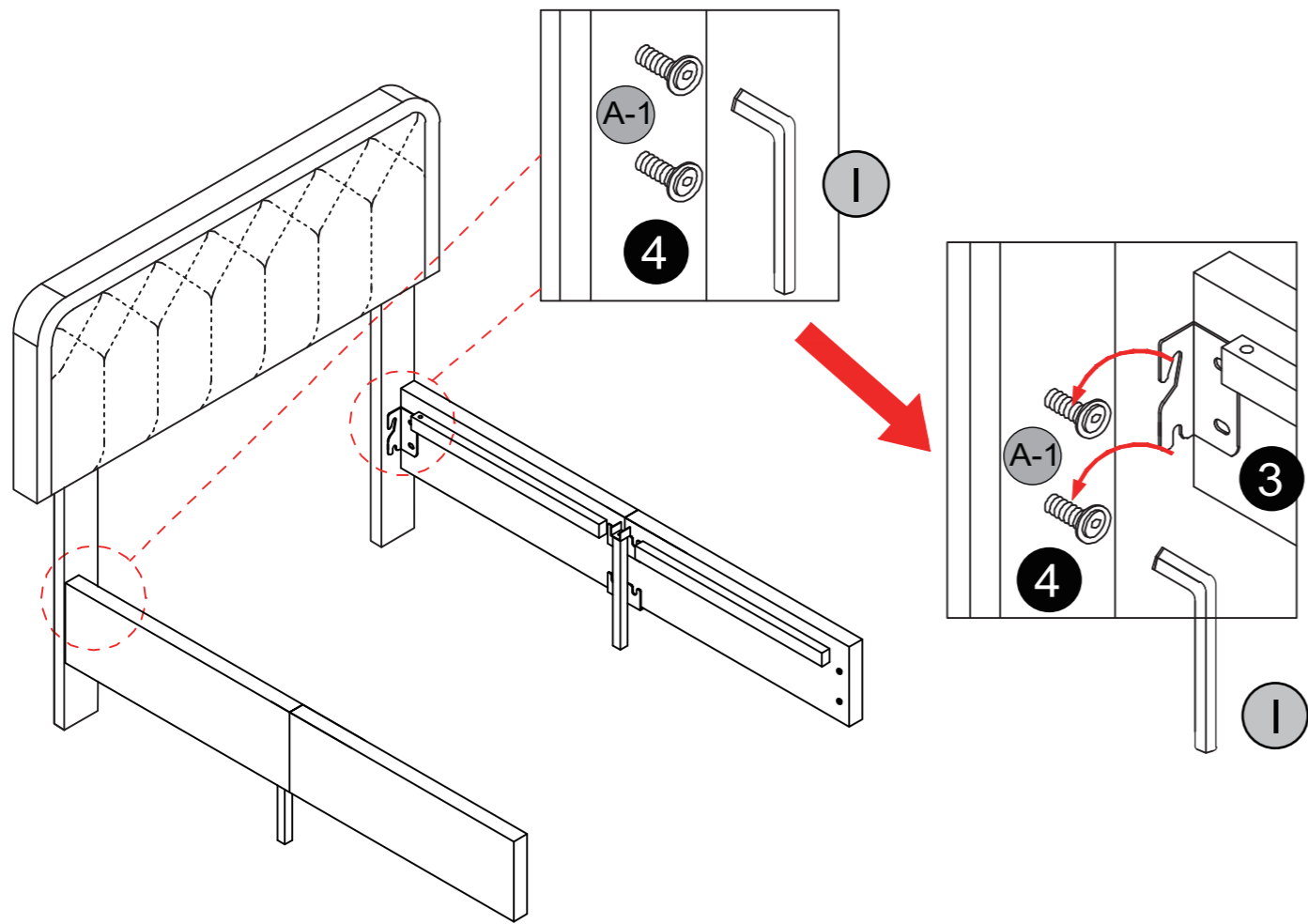
# Step 3

L-1 x 8  7 x 2  1x1


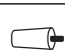


# Step 4

 A-1 x 4  Ix1



# Step 5

 Ex2  Fx2

