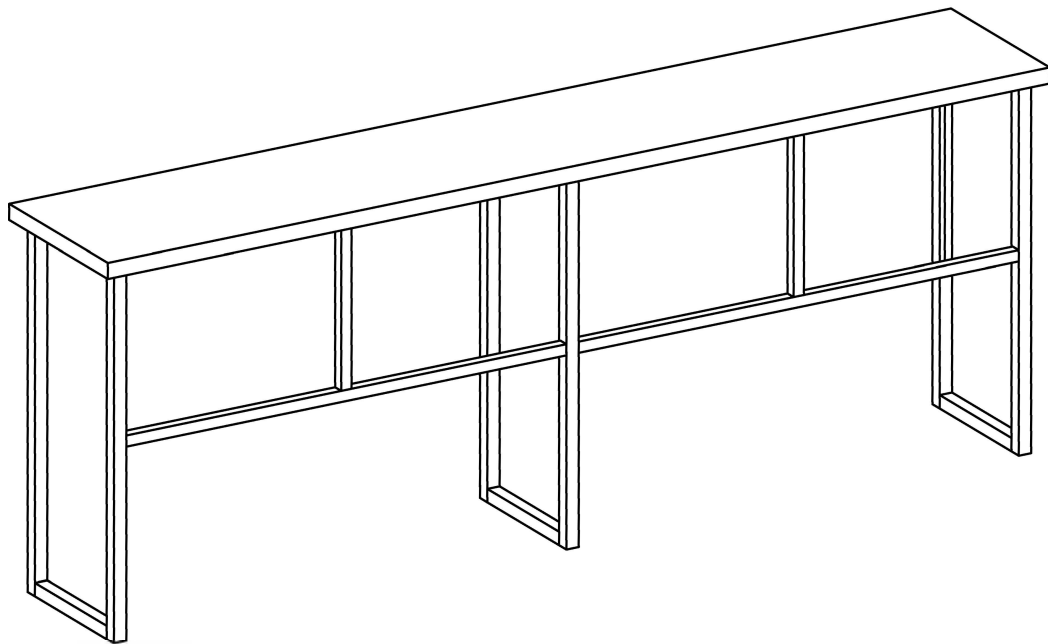


# ASSEMBLY INSTRUCTIONS

90"x16"x34" - 90" SHEESHAM ROSEWOOD DINING CONSOLE

## BEFORE BEGINNING:

- 1 - Carefully unpack and position the items on a clean, non-marring surface to assemble.
- 2 - Read this Assembly Instructions from beginning to end before starting to assemble.
- 3 - Take inventory of the required parts to ensure all are available.
- 4 - To prevent accidental choking hazards, keep all packaging materials away from small children.
- 5 - Only tighten hardware until ALL hardware are fully engaged on their locations. Overtighten bolts will damage the bolt threads.
- 6 - Use only factory provided hardware to assemble. Unapproved hardware can damage product or jeopardize the structural integrity of the product.
- 7 - The use of power tools to assemble is not recommended due to high risk of over-torque, which can damage product.



Assembly Requires  
Two People.



20 - Minute  
Assembly Time



Keep Instructions  
For Future Use

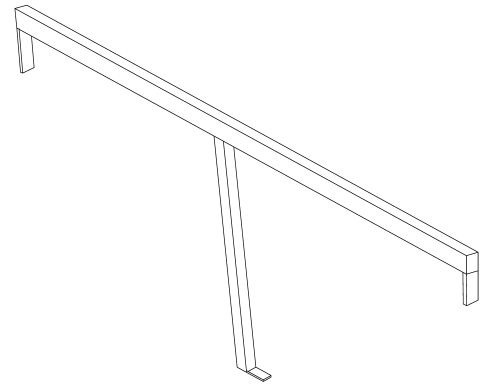
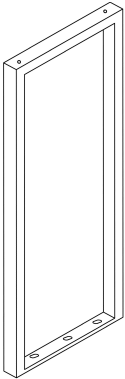
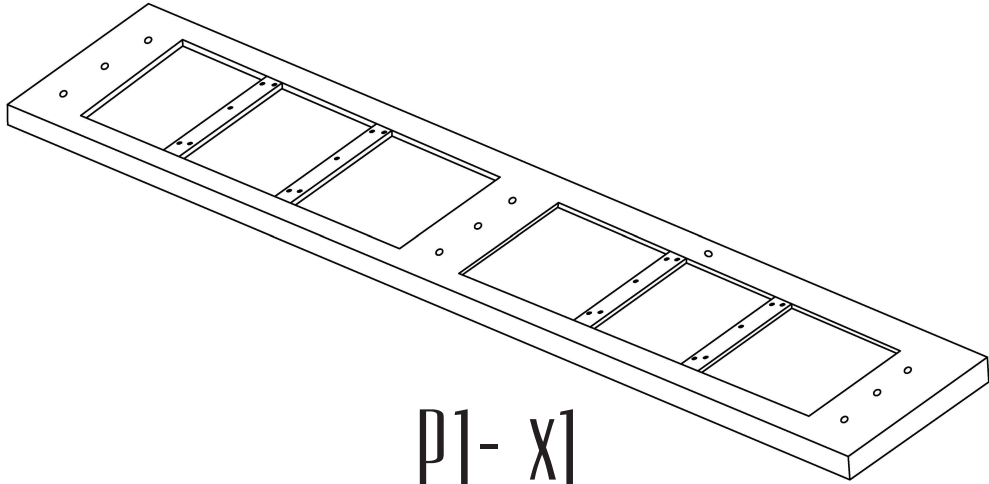


Do Not Use  
Power Tools

# ASSEMBLY INSTRUCTIONS

90"x16"x34" - 90" SHEESHAM ROSEWOOD DINING CONSOLE

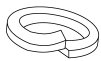
## PARTS LIST



## HARDWARE PACK



25x8mm



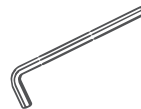
16x8mm



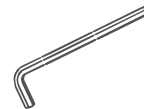
20x8mm



16x6mm



5mm

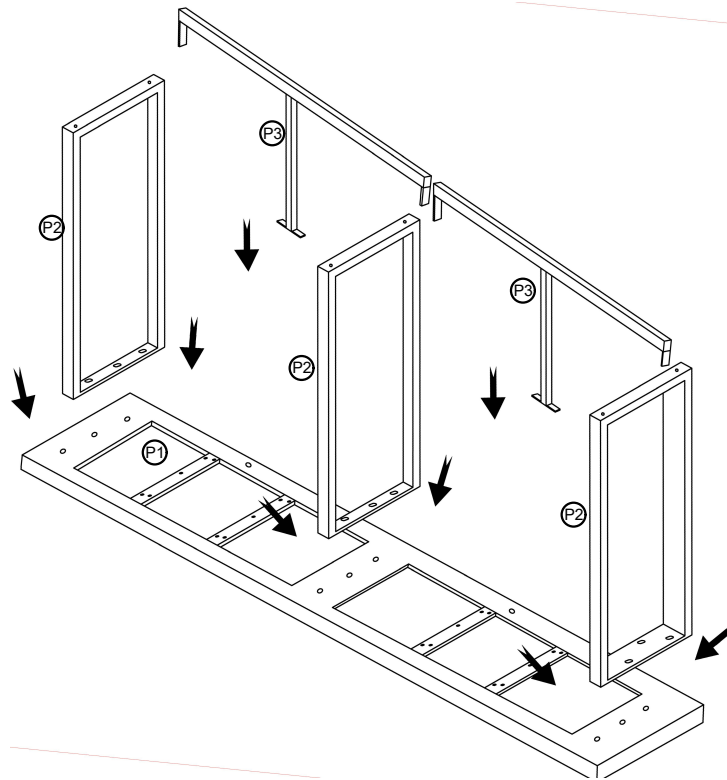


4mm

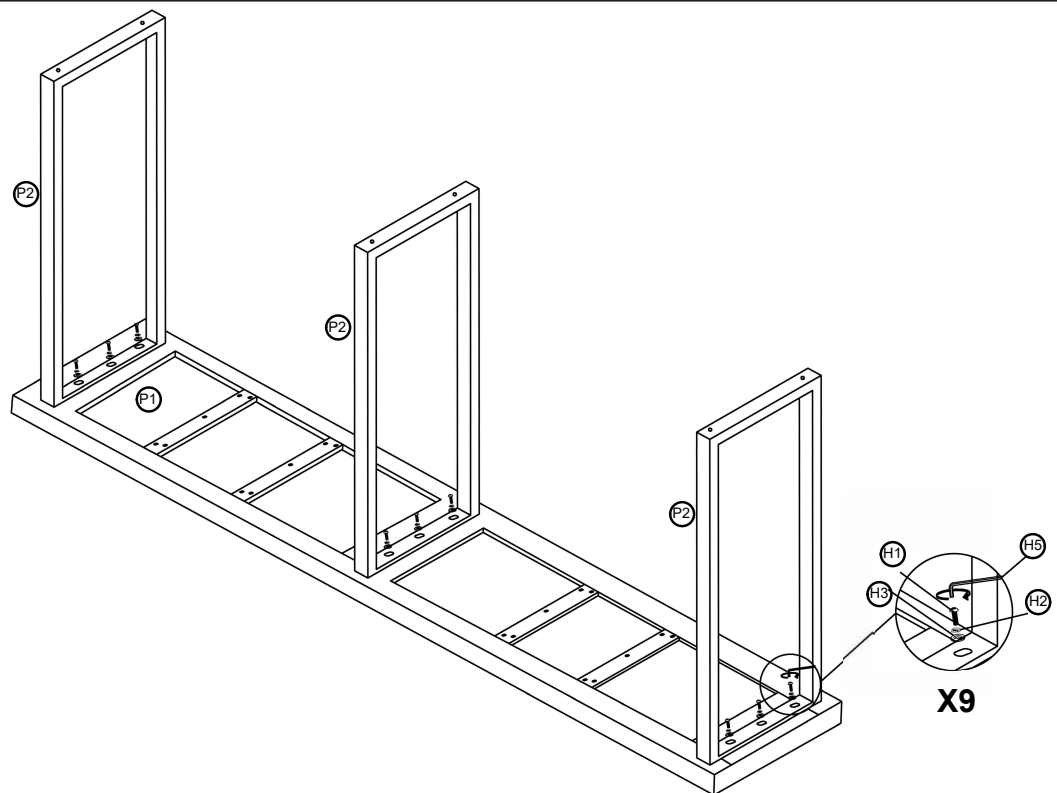
# ASSEMBLY INSTRUCTIONS

90"x16"x34" - 90" SHEESHAM ROSEWOOD DINING CONSOLE

## STEP 1



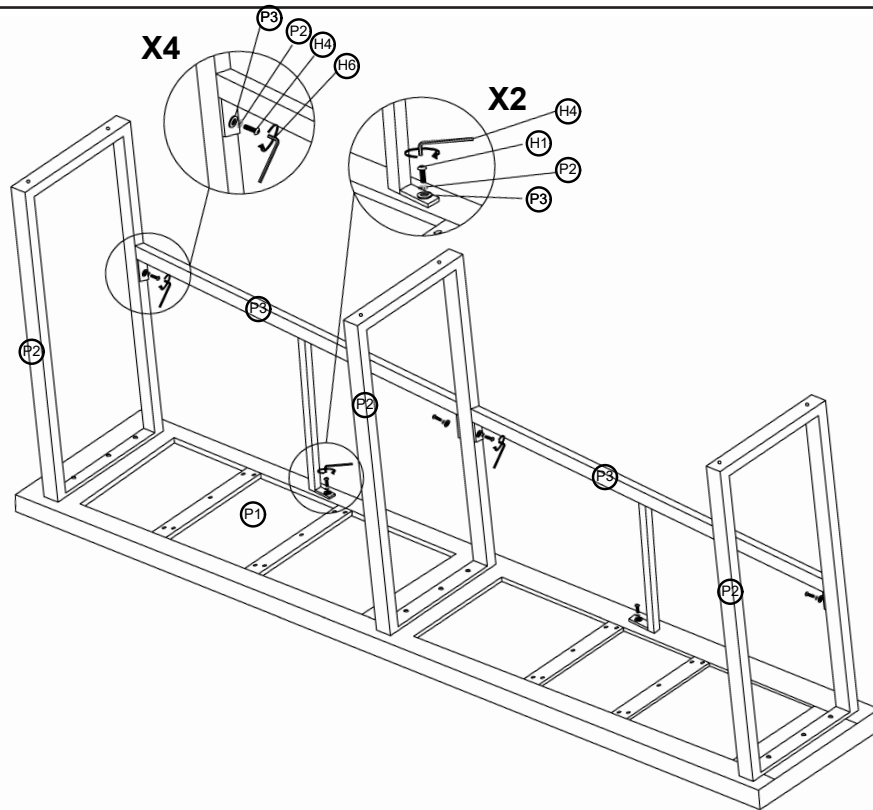
## STEP 2



# ASSEMBLY INSTRUCTIONS

90"x16"x34" - 90" SHEESHAM ROSEWOOD DINING CONSOLE

## STEP 3



## STEP 4

