



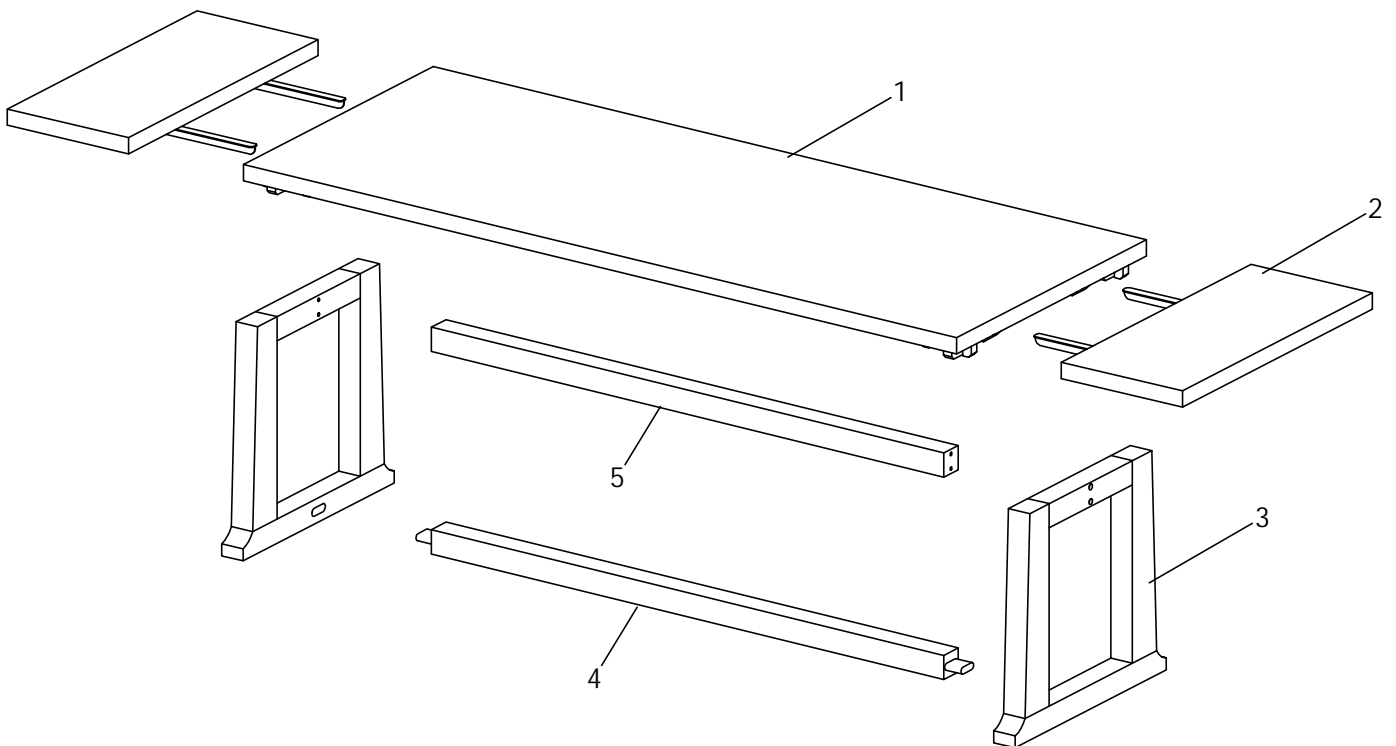
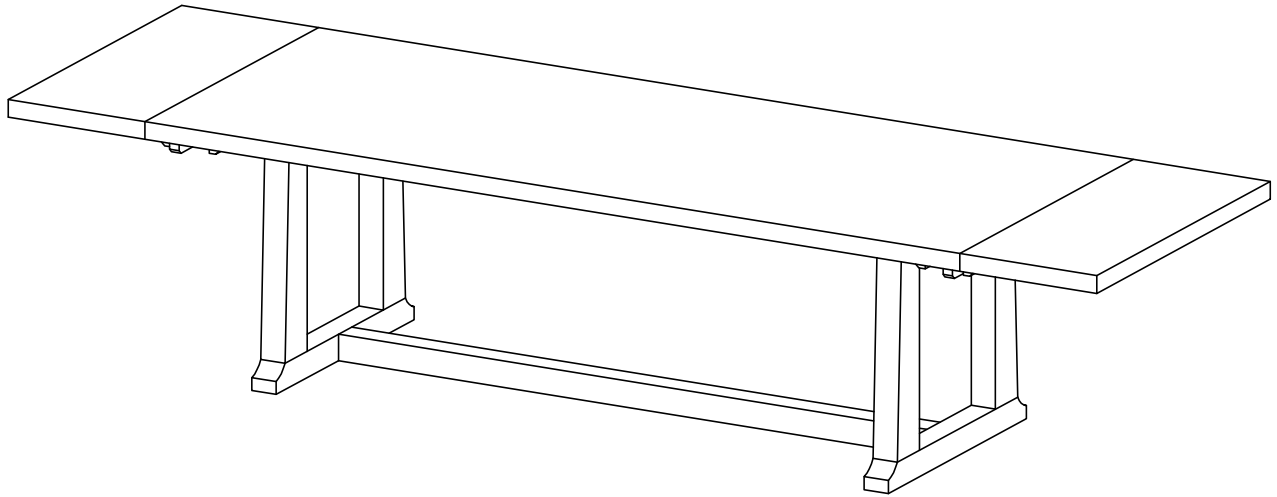


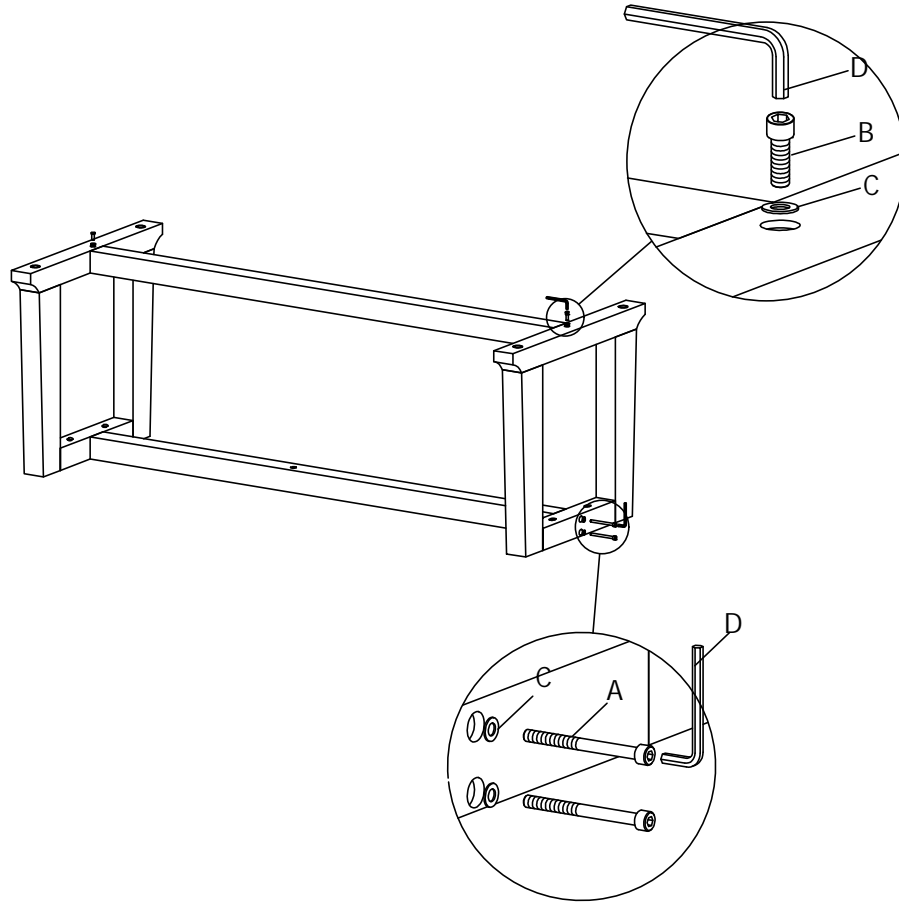
ASSEMBLY INSTRUCTION FOR

MODEL: EXTENSION DINING TABLE

HARDWARE LIST				
A		Bolts	M8x90	9
B		Bolts	M8x30	2
C		Flat washer	8-16	11
D		Allen Wrench	6	1

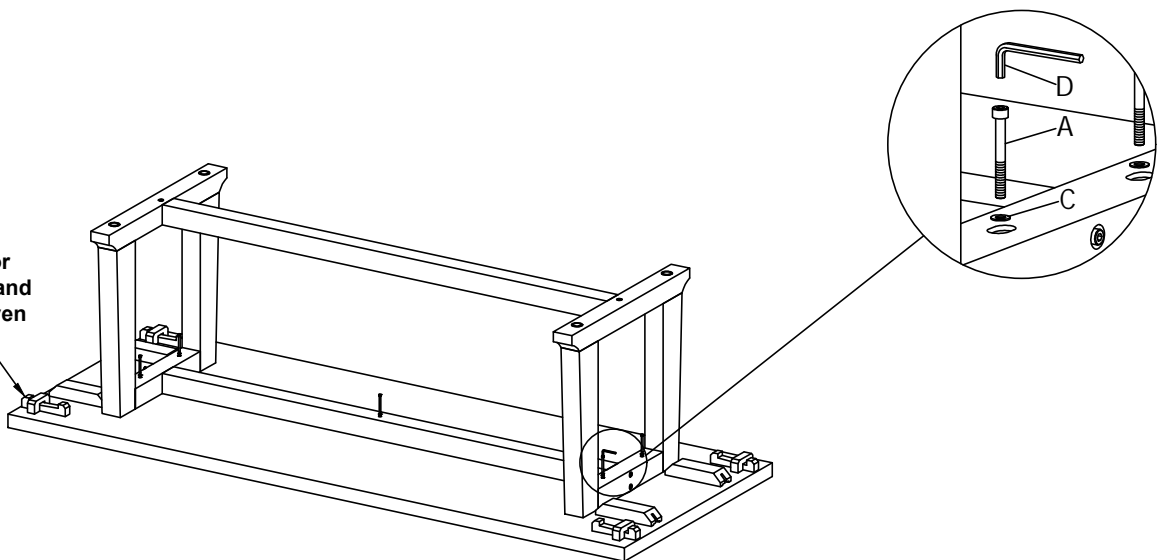


Step 1

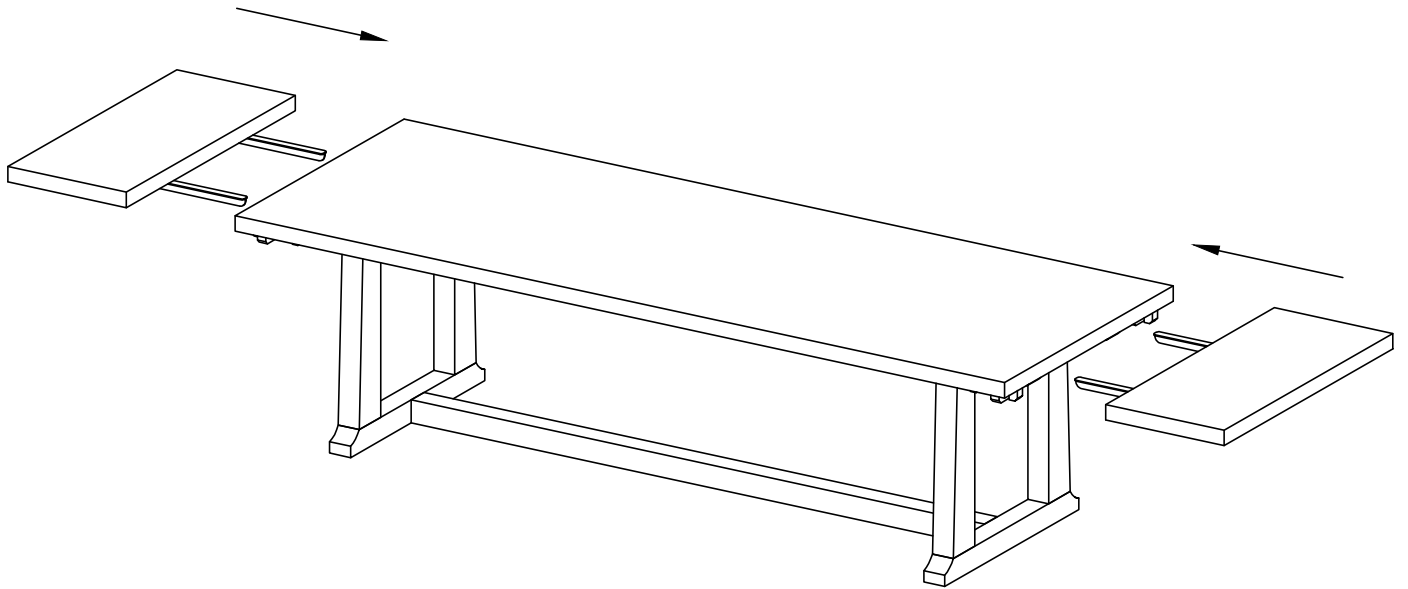


Step 2

Pull cleat out for
adjust main Top and
extension leaf even



Step 3

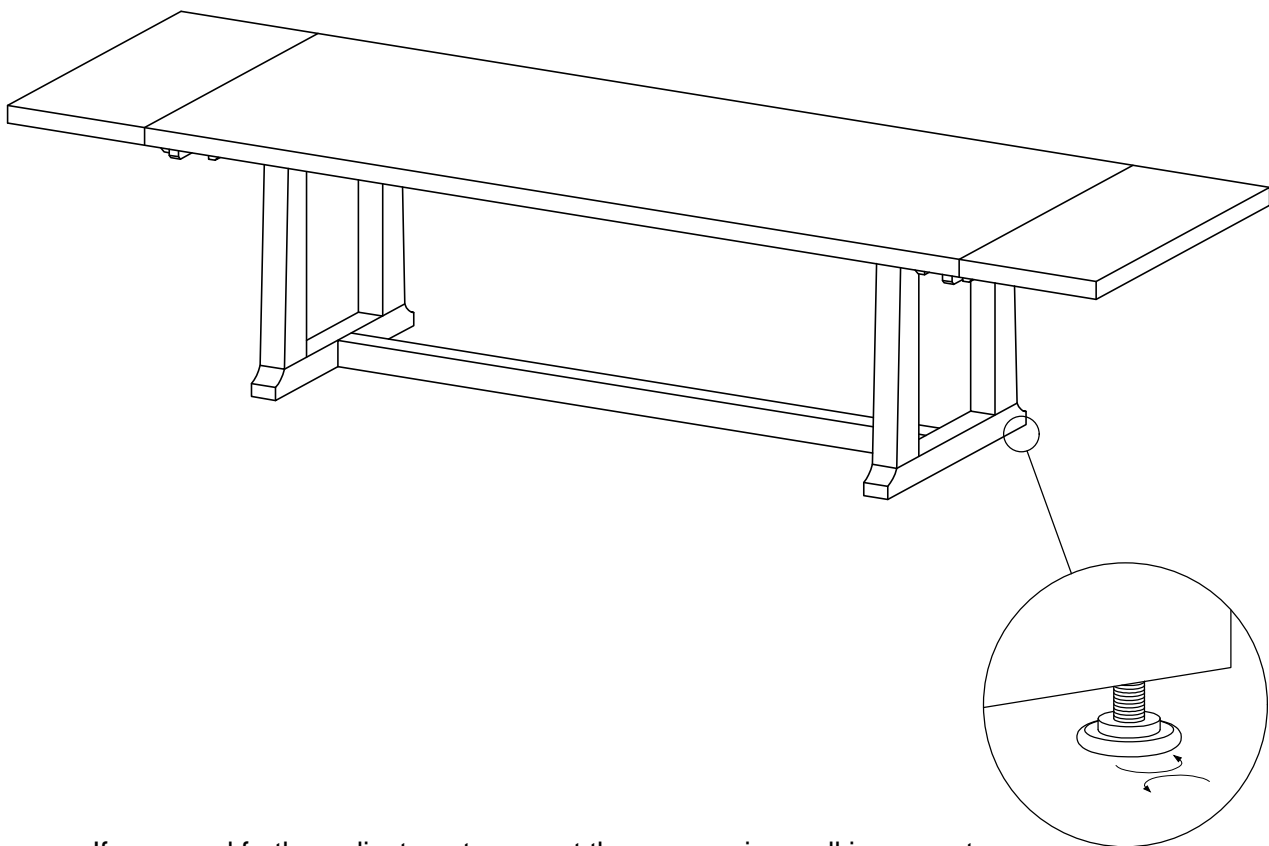


Adjusting Floor Levelers

Check for Stability - Place the furniture in its final position on a level surface. If it wobbles or doesn't sit evenly, the floor levelers need adjusting.

Locate the Levelers - These are small adjustable feet found at the bottom corners of your furniture.

Adjust as Needed - Using your hand or a wrench, turn the levelers clockwise to raise or counterclockwise to lower the furniture. Make small adjustments and check stability after each turn.



If you need further adjustments, repeat the process in small increments.