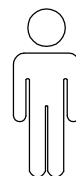
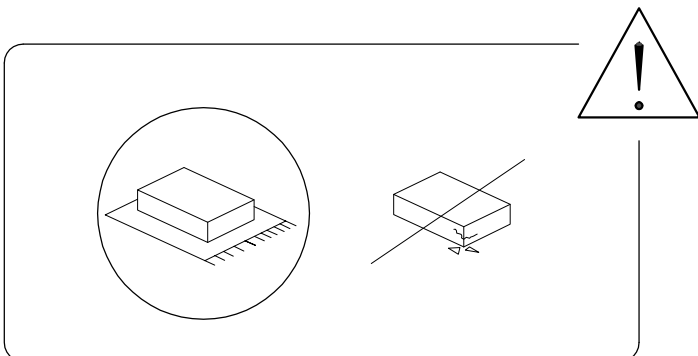
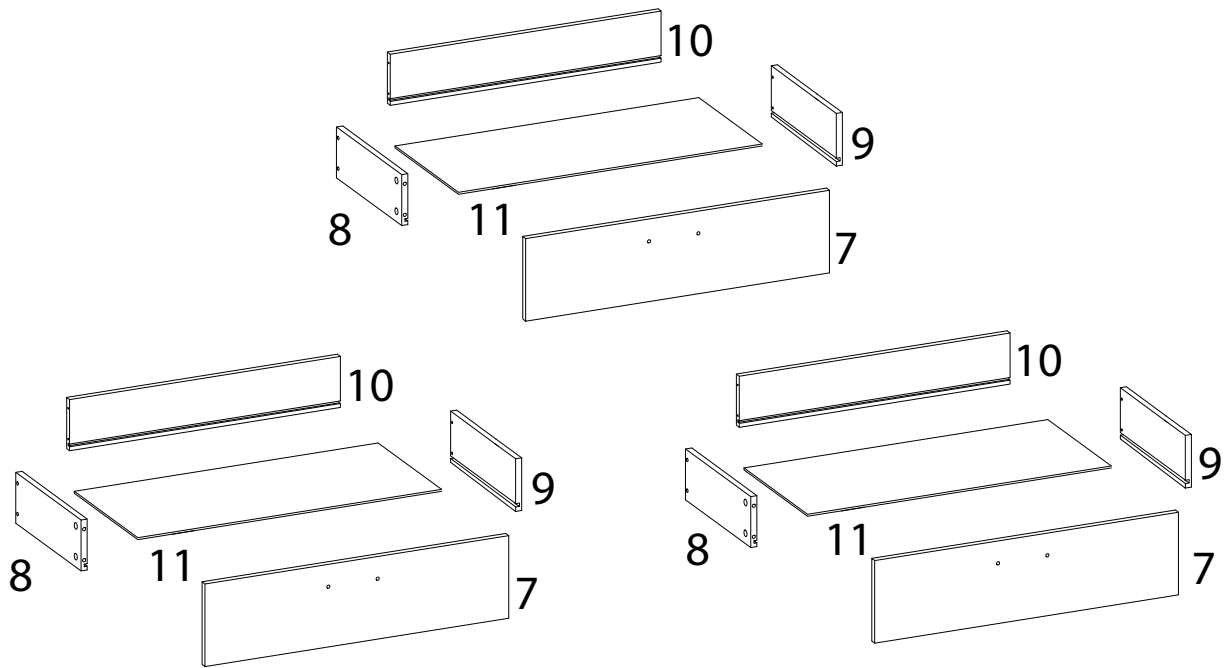
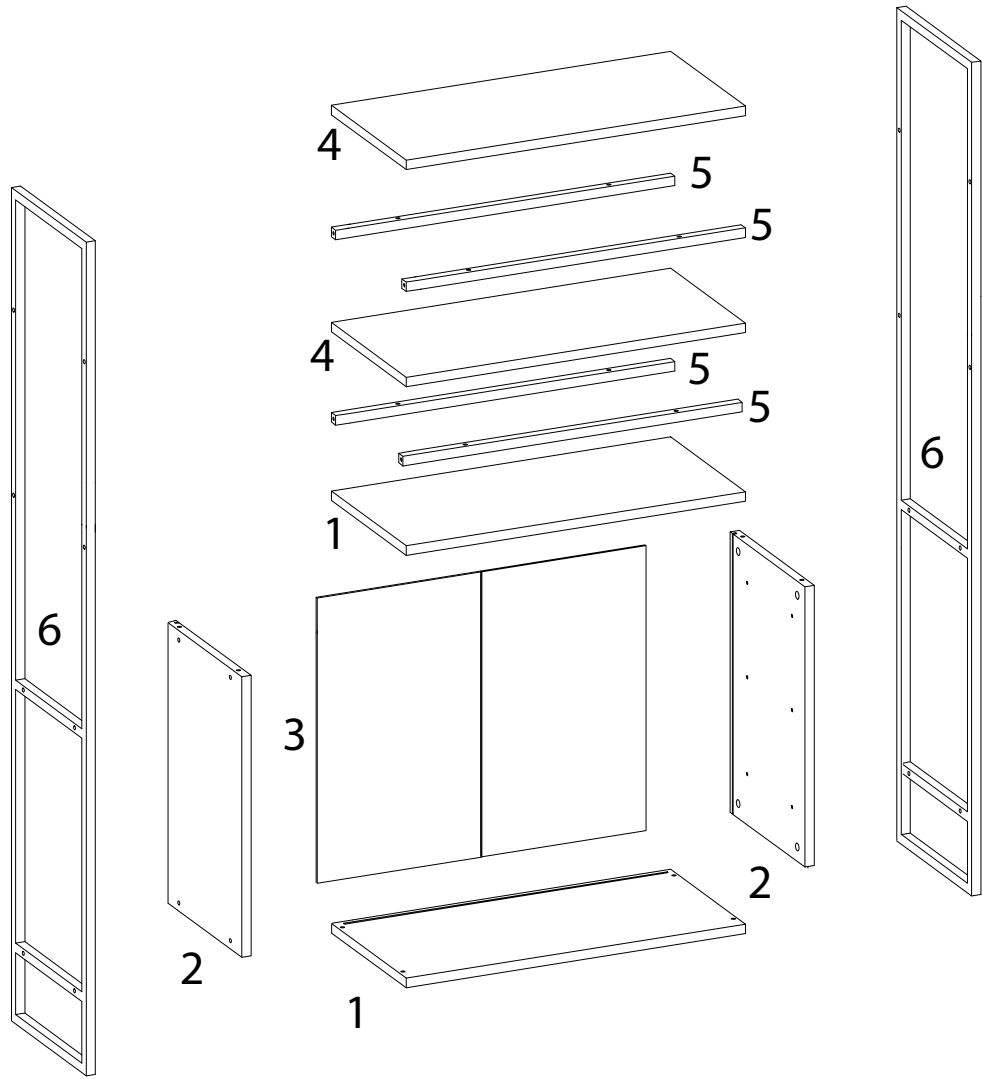


60'



1



1



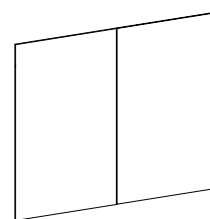
x 2

2



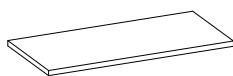
x 2

3



x 1

4



x 2

5



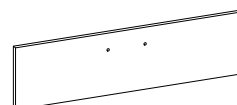
x 4

6



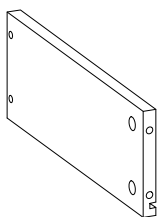
x 2

7



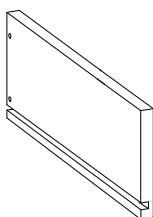
x 3

8



x 3

9



x 3

10



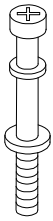
x 3

11



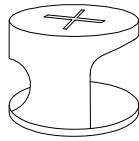
x 3

A



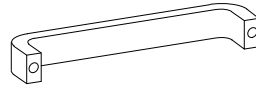
x 20

B



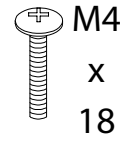
x 20

C



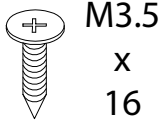
x 3

D



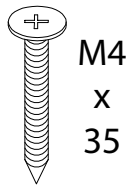
x 6

E



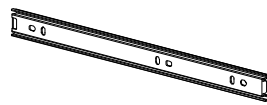
x 24

F



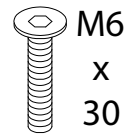
x 12

G



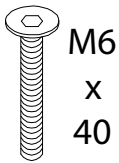
x 6

H



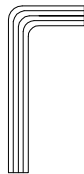
x 16

I



x 8

J



x 1

K



x 1

L



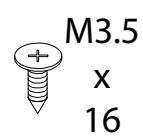
x 1

M



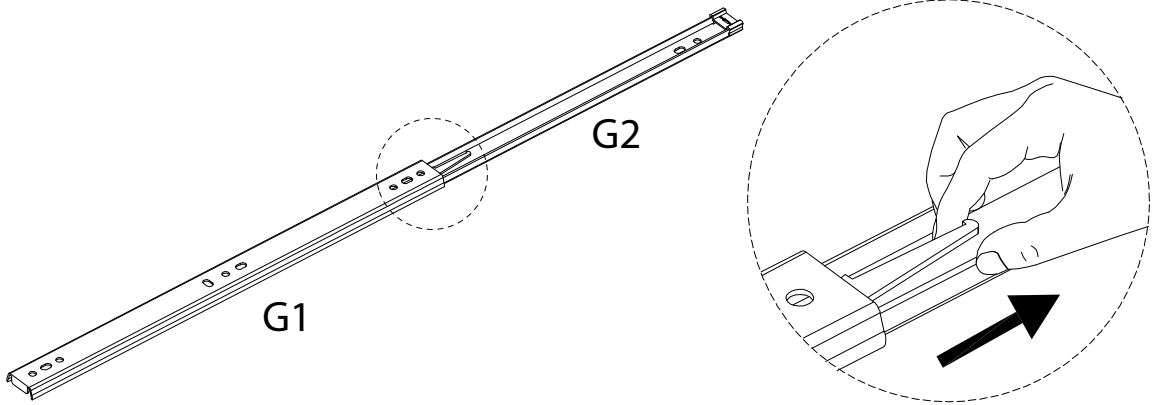
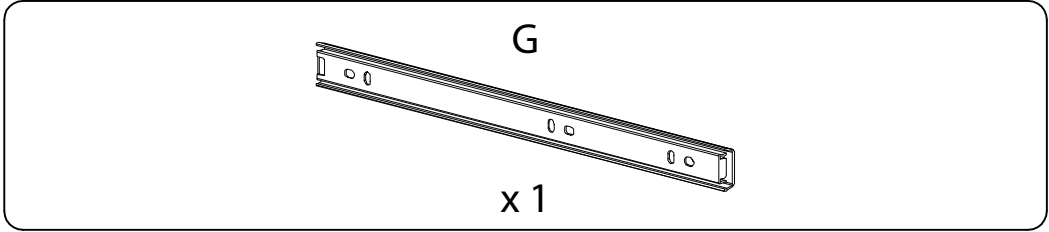
x 1

N

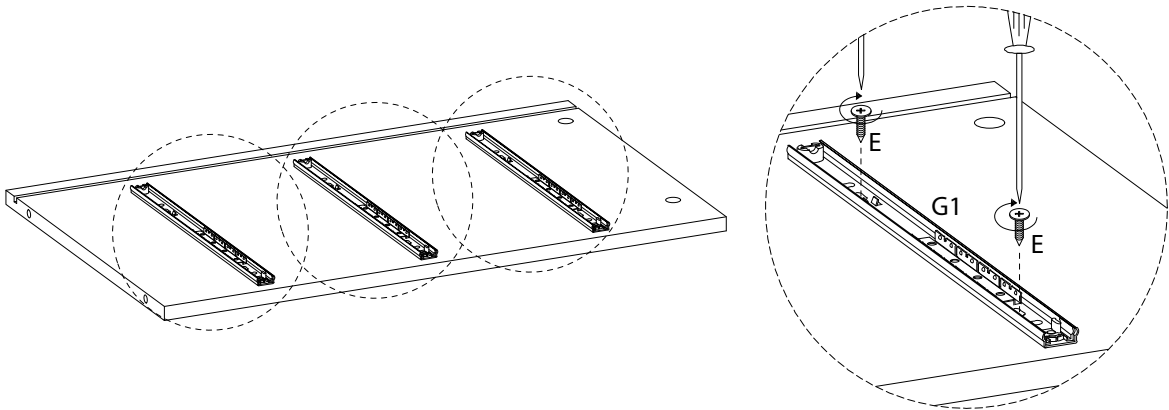
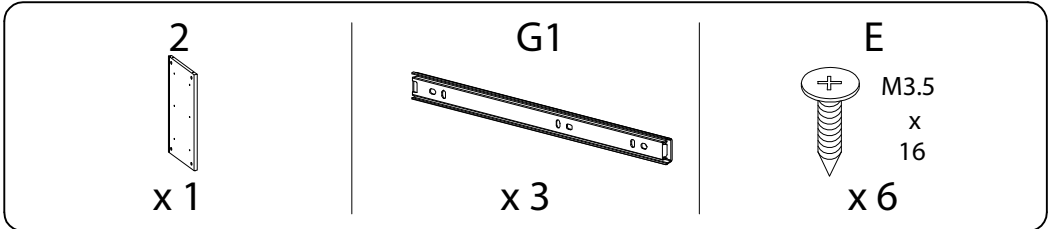


x 1

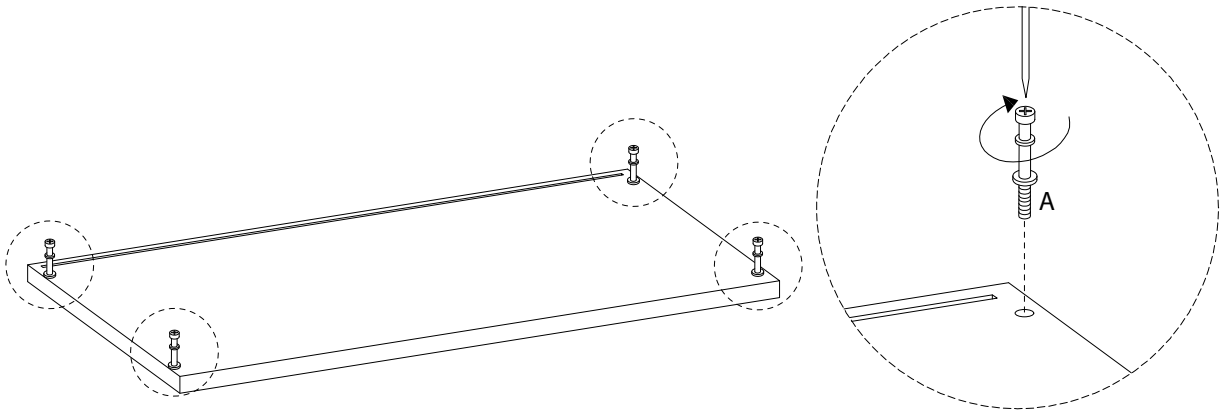
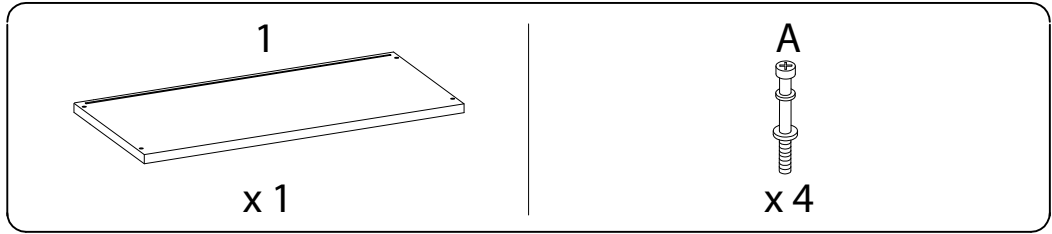
1 x 6



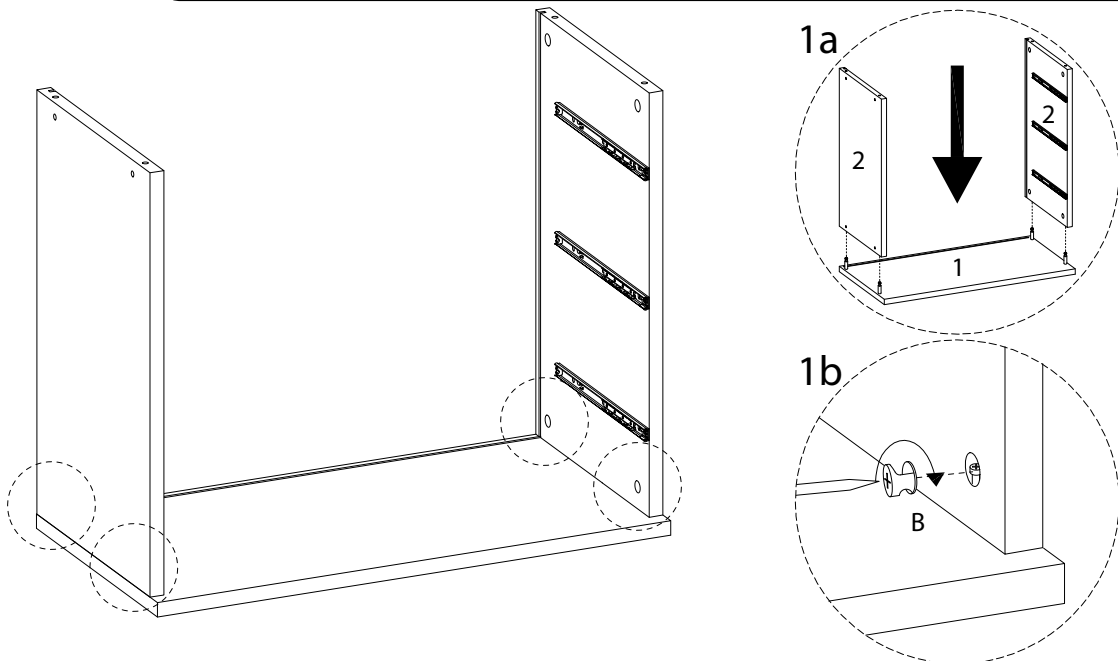
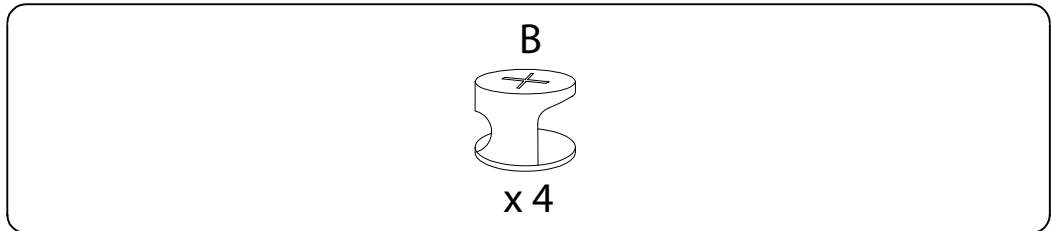
2 x 2



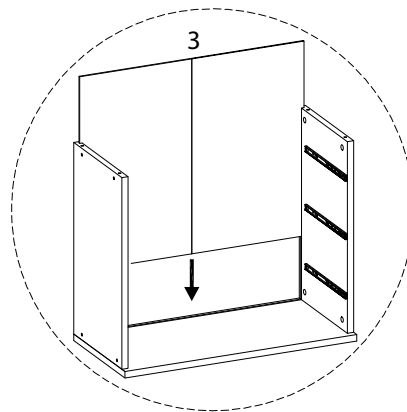
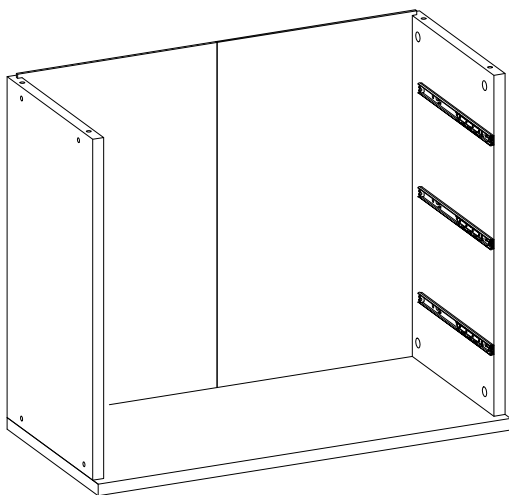
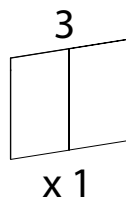
3 x 2



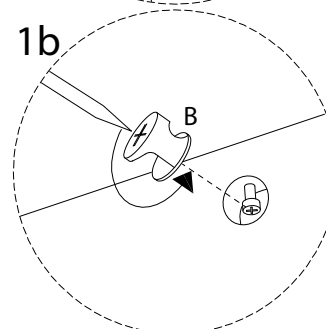
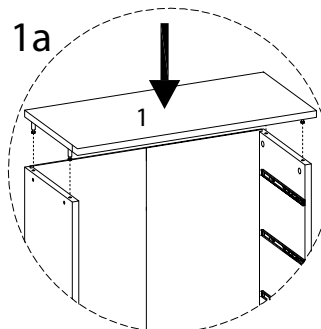
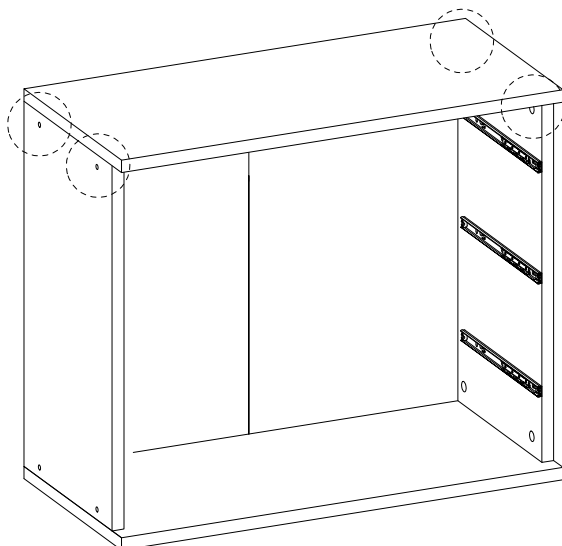
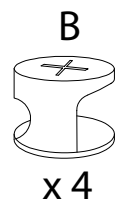
4



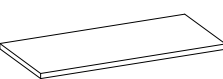

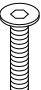
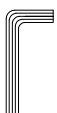
5

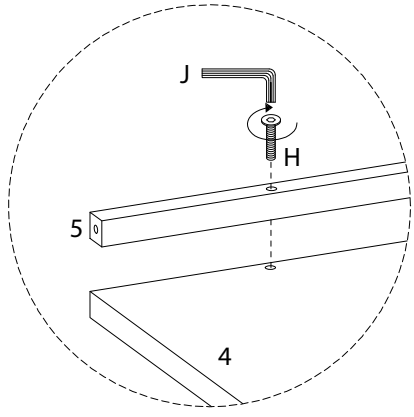
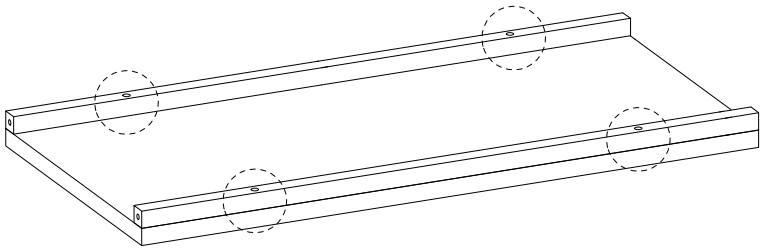


6


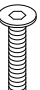



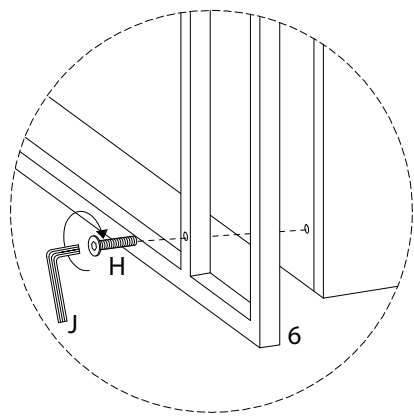
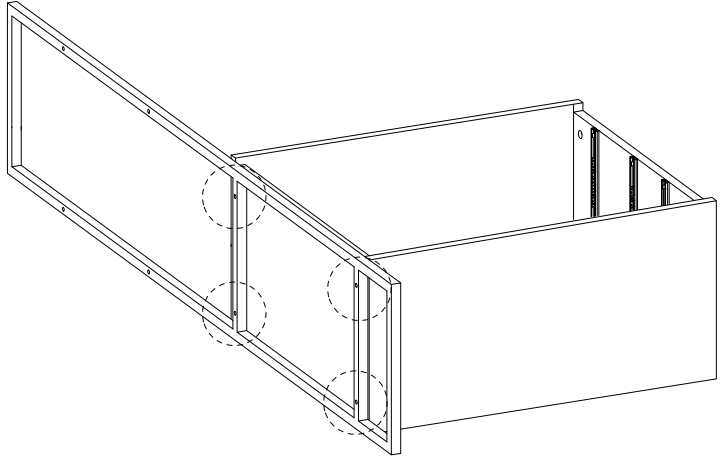
7 x 2

4  x 1	5  x 2	H  M6 x 30 x 4	J  x 1
---	---	--	---

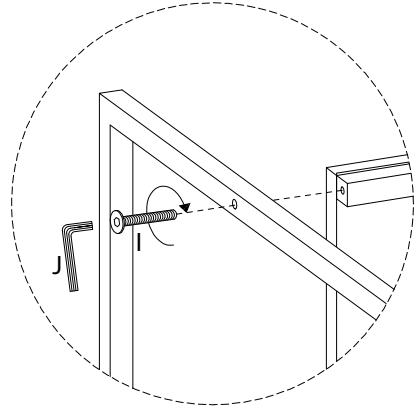
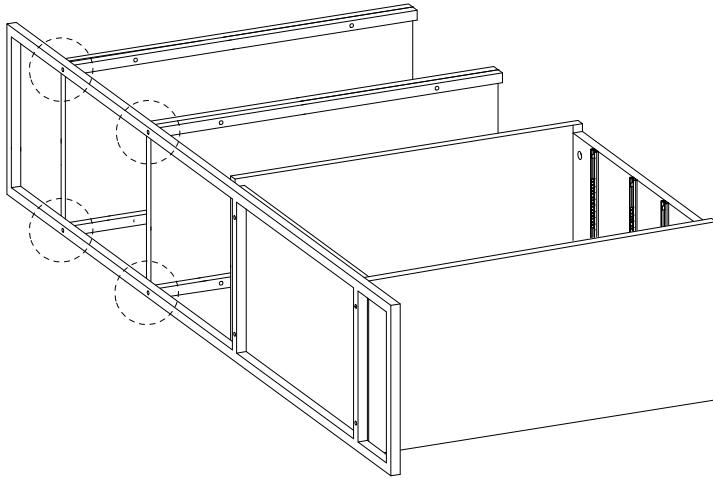
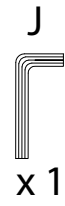
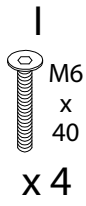


8

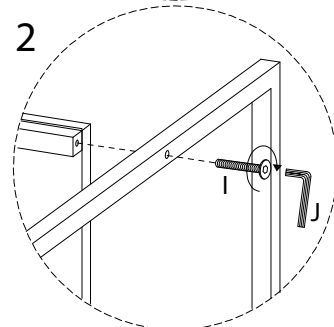
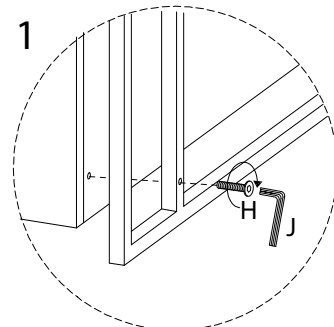
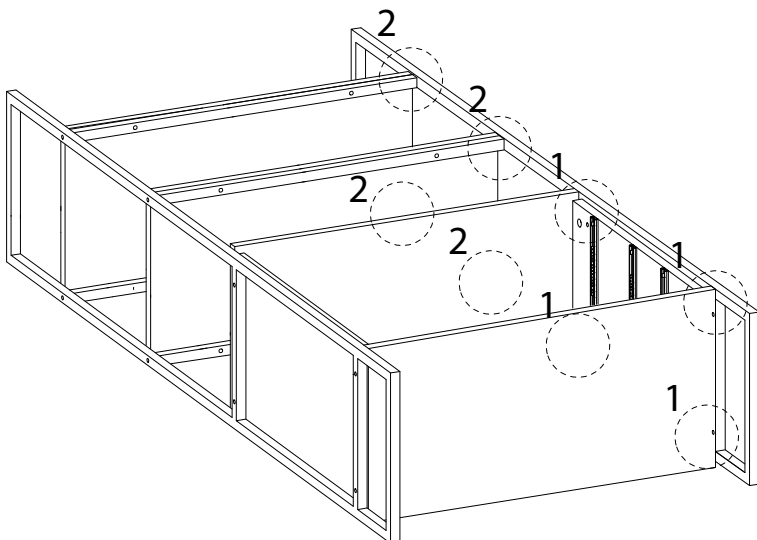
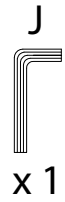
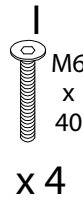
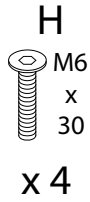
6  x 1	H  M6 x 30 x 4	J  x 1
---	---	---



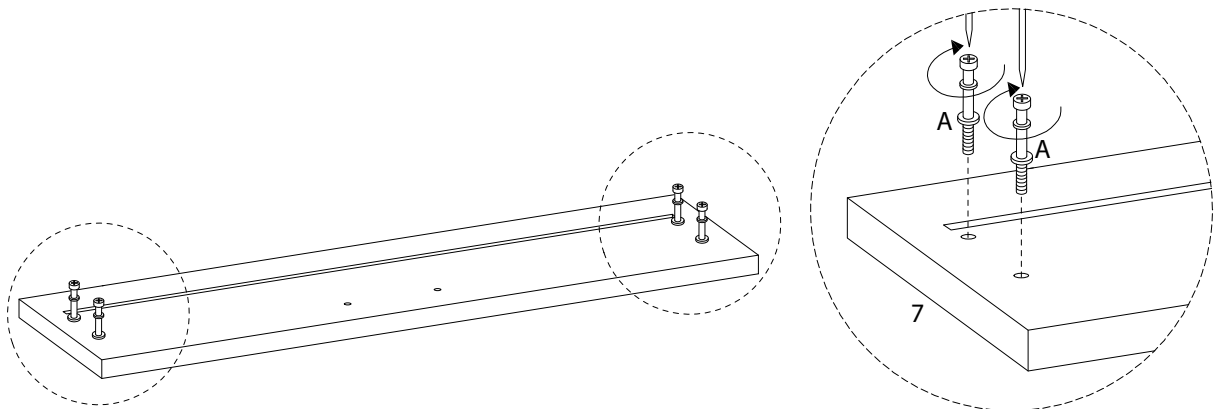
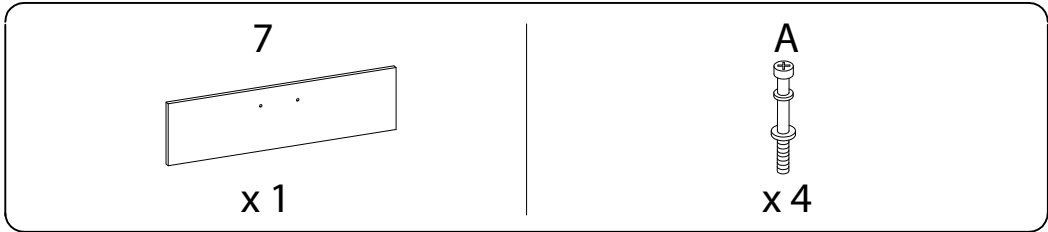
9



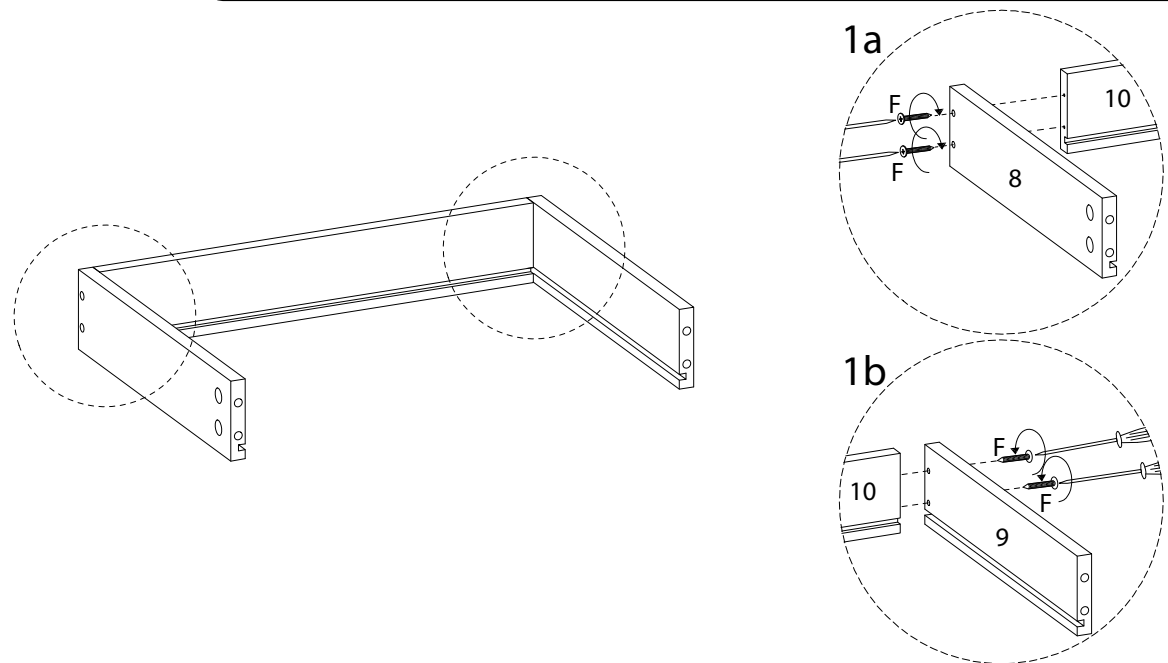
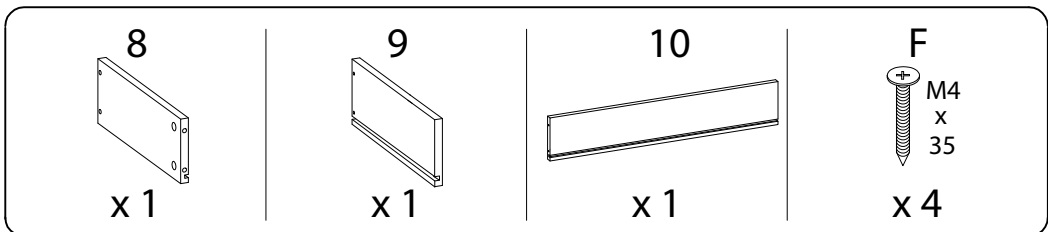
10



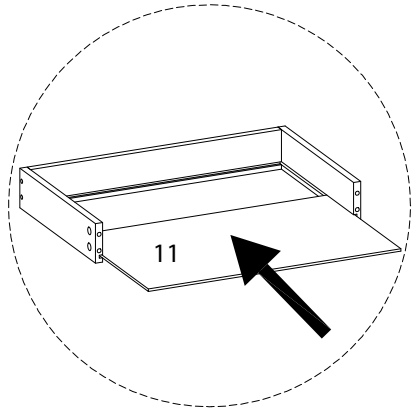
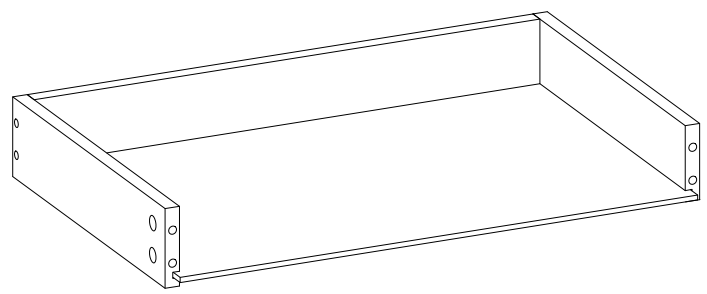
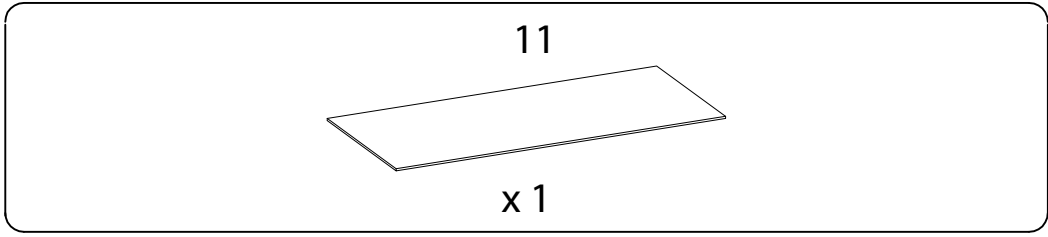
11 x 3



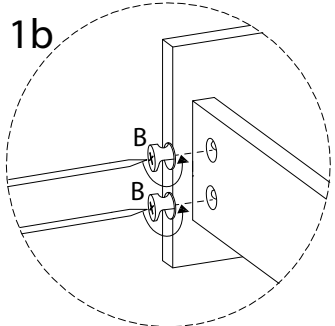
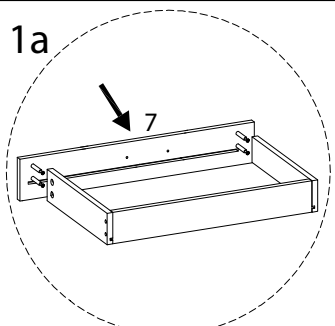
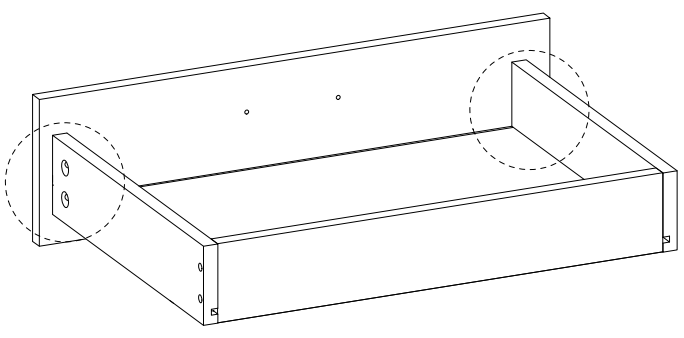
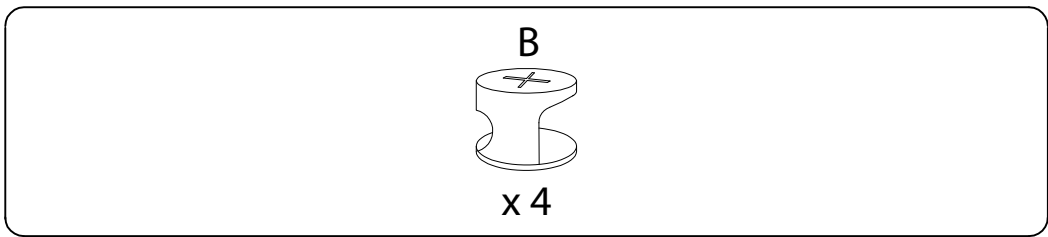
12 x 3



13 x 3

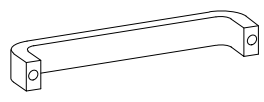


14 x 2



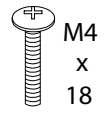
15 x 3

C

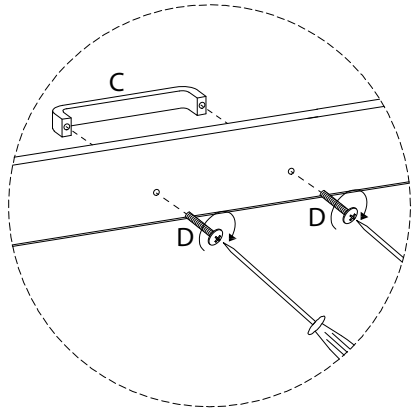
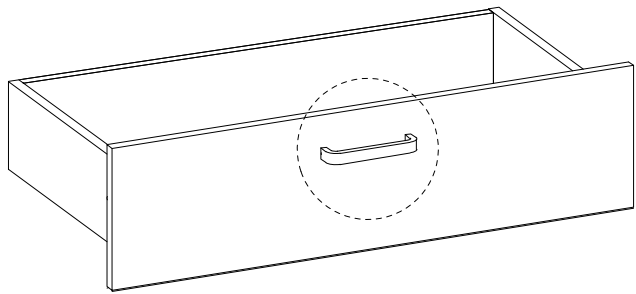


x 1

D

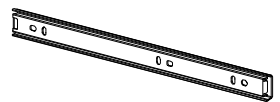


x 2



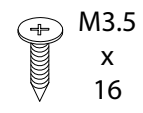
16 x 3

G2

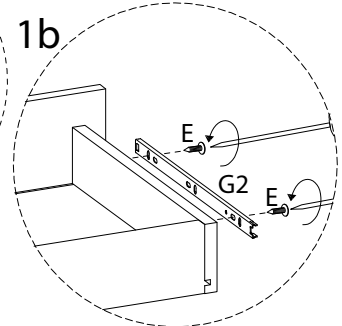
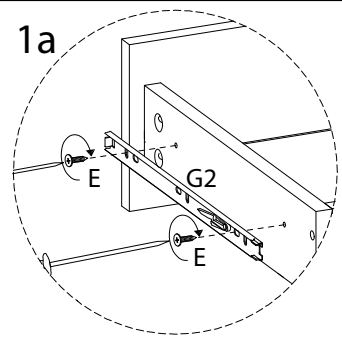
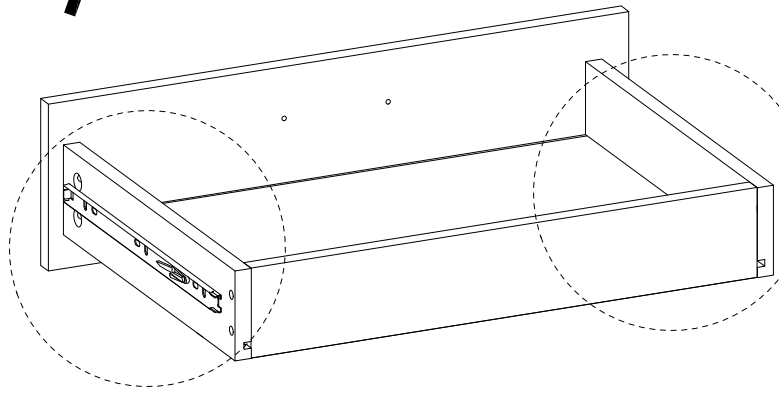
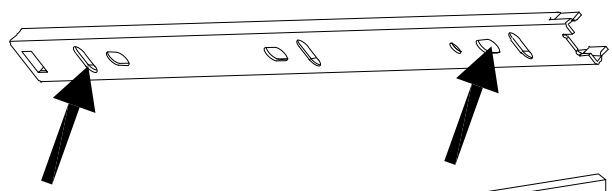


x 2

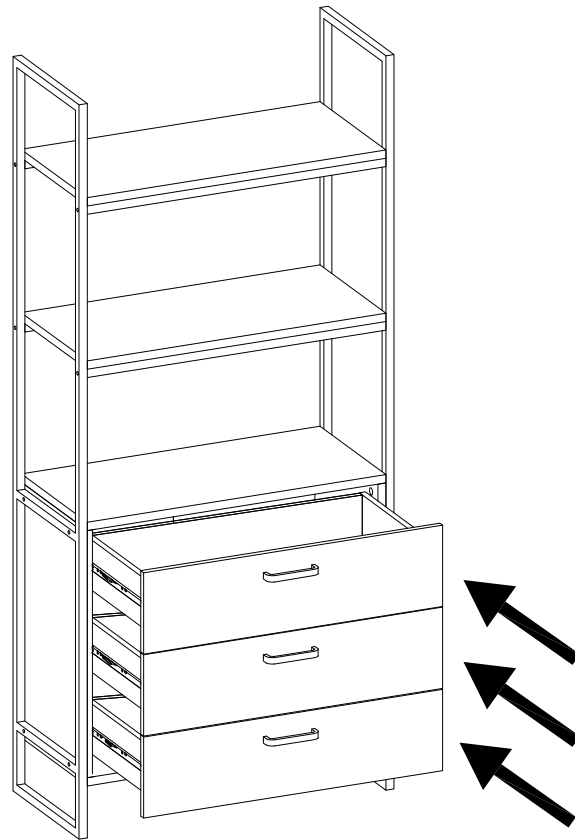
E



x 4



17



18

K



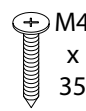
x 1

L



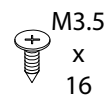
x 1

M



x 1

N



x 1

