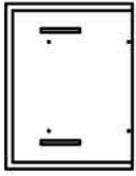
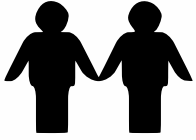


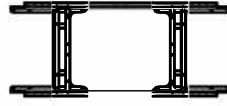
ASSEMBLY INSTRUCTION



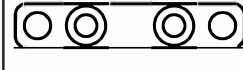
A × 2pcs



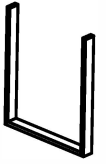
B × 1pc



C × 1pc



D × 4pcs



E × 2pcs



+Spare×2



F × 10pcs
M8×16mm

+Spare×2



G × 10pcs
M8×16mm

+Spare×2

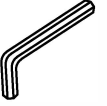


H × 10pcs
M8×16mm

+Spare×2

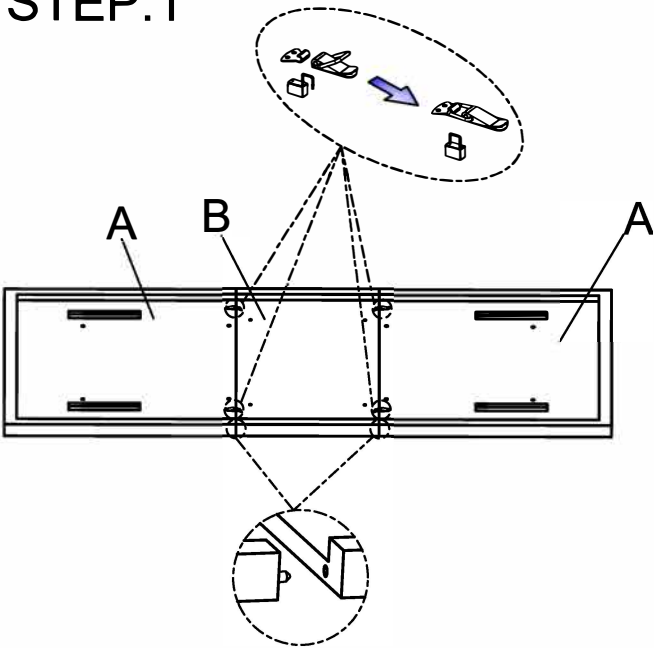


I × 10pcs
ø8/ø16×2mm

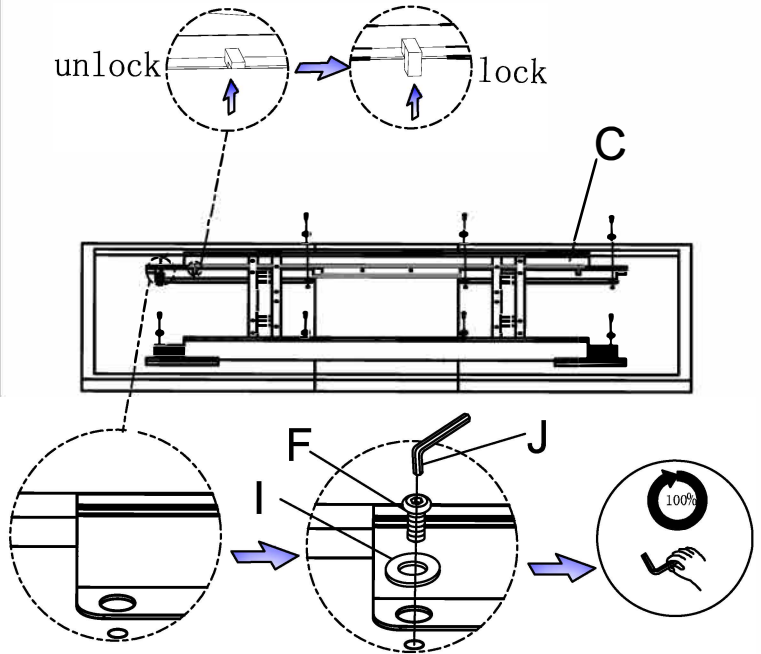


J × 1pc
#5

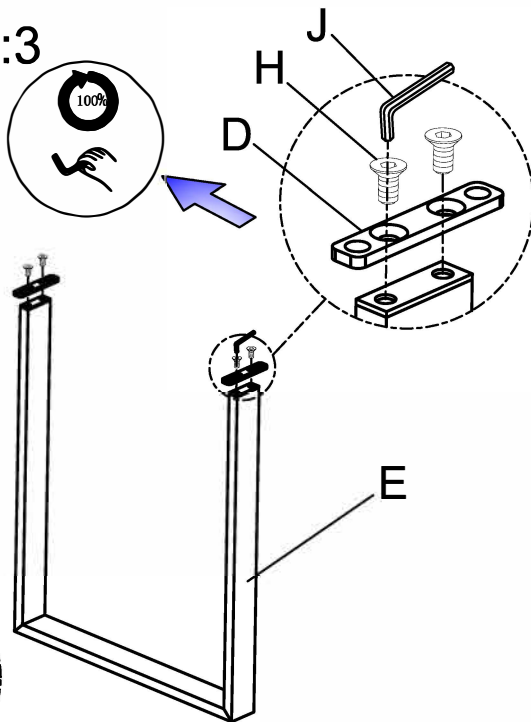
STEP:1



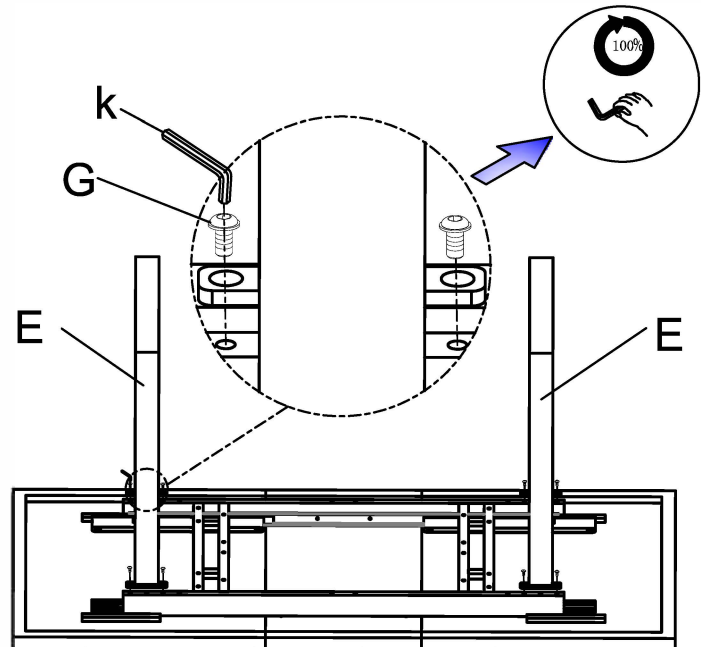
STEP:2



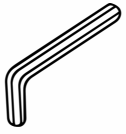
STEP:3



STEP:4



ASSEMBLY INSTRUCTION



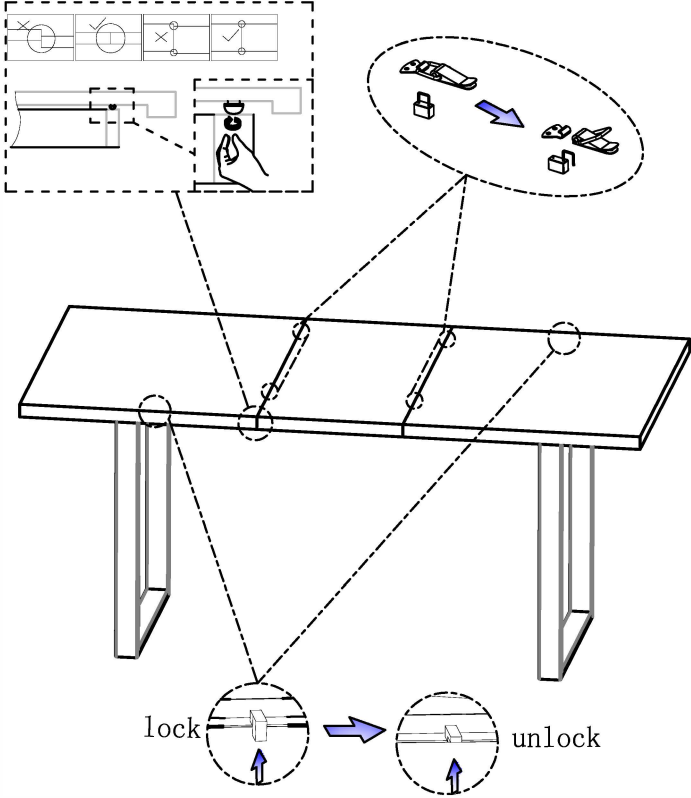
Kx1pc
#6

+Sparex1

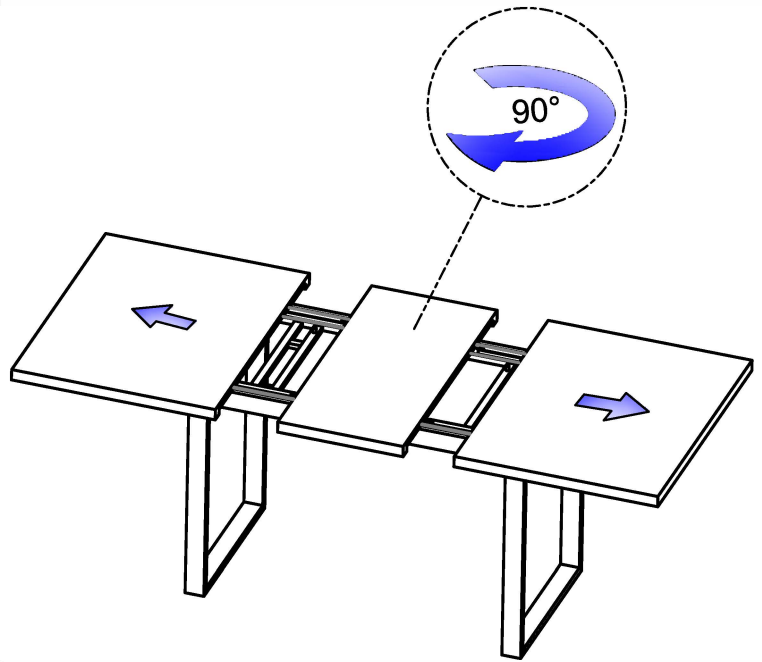


Lx1pc

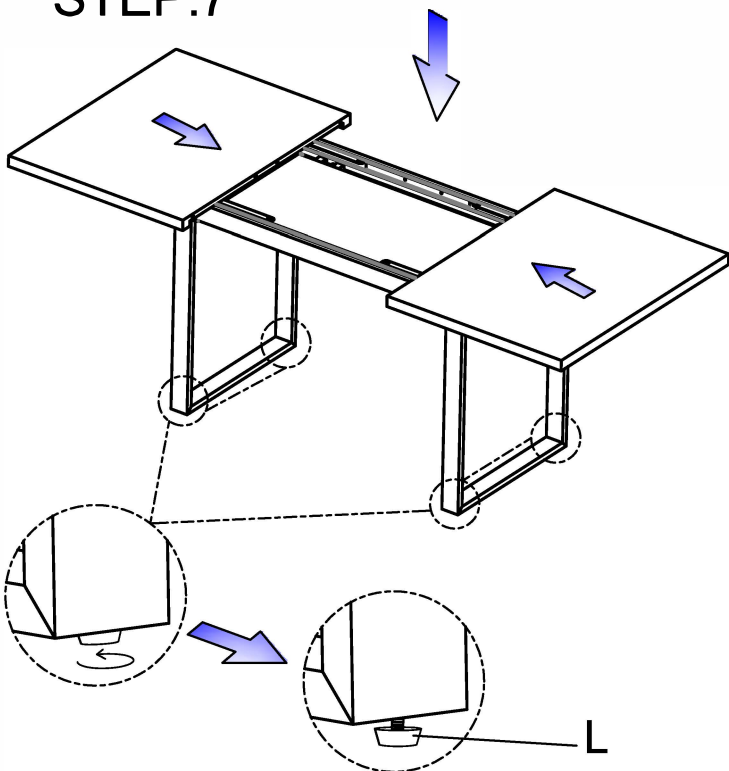
STEP:5



STEP:6



STEP:7



STEP:8

