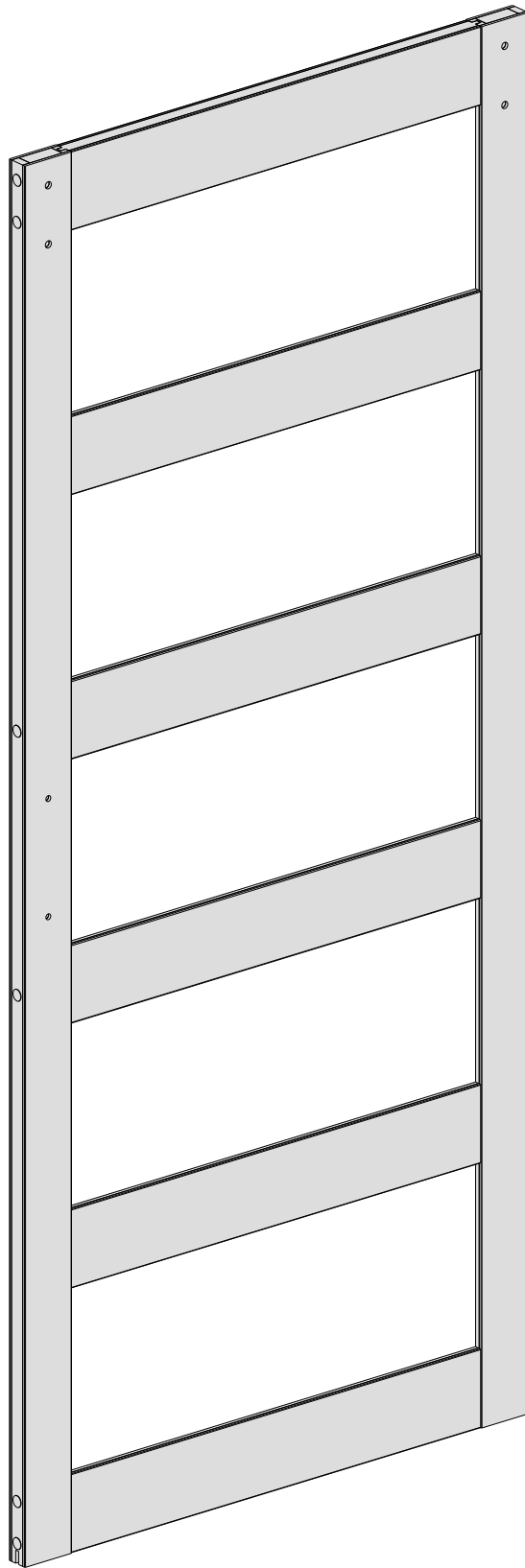


Installation Manual



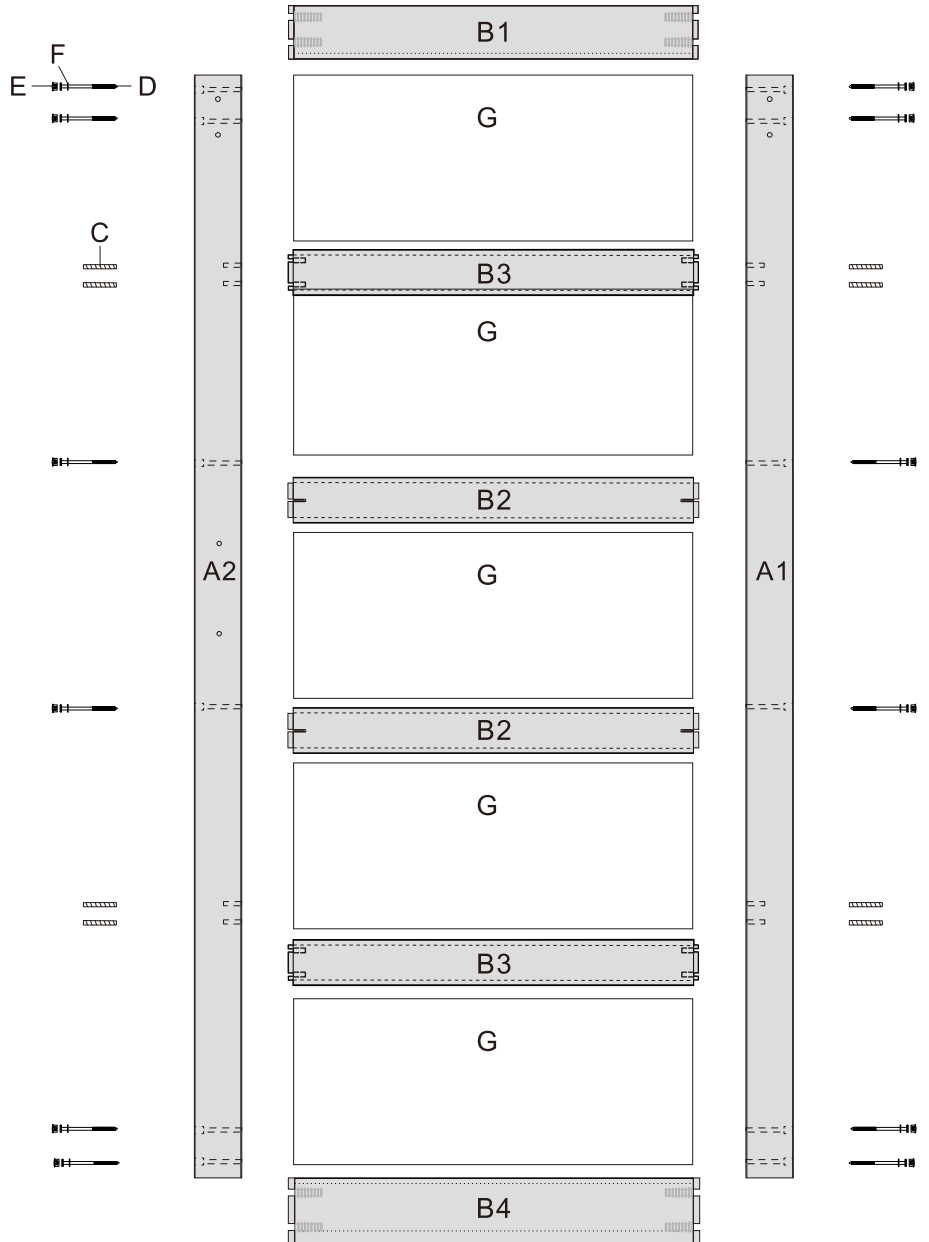
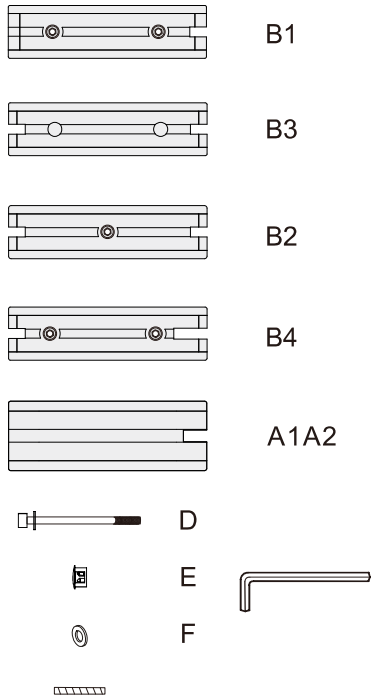
INSTRUCTIONS

Glass Barn Door Installation Instruction

Package List

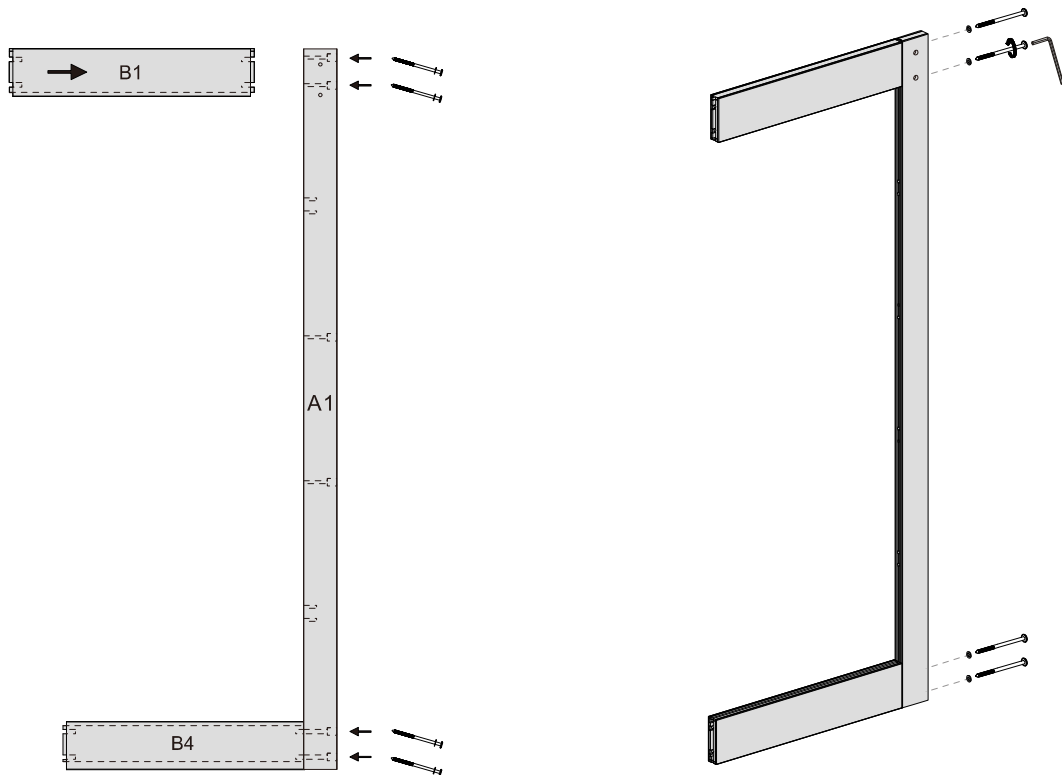
A1A2	Side Stile	*2
B1	Top Rail	*1
B2	Rail with 2 different holes	*2
B3	Rail with 2 same holes	*2
B4	Bottom Rail	*1
C	Corks	*8
D	Carriage Bolt	*12
E	Plastic Cap	*12
F	Washer	*12
G	Middle Slat	*5

Stile and Slat End Views



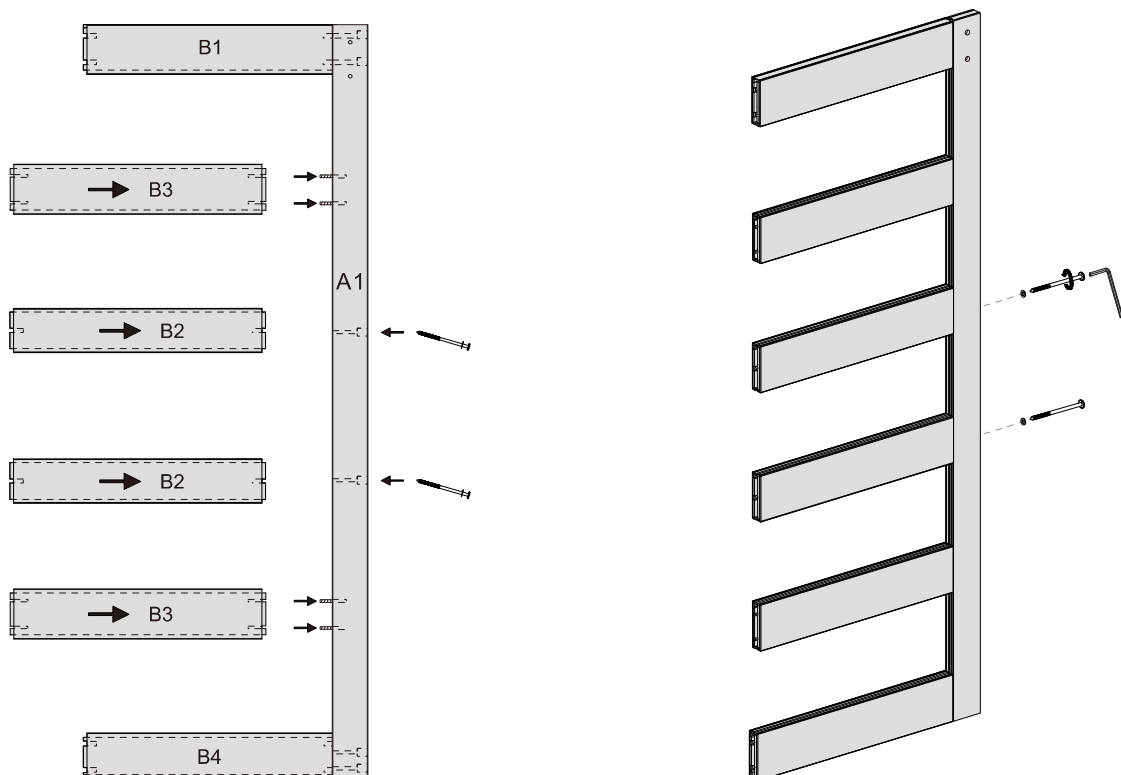
Step 1.

Attach B1 Top Rail to one Side Stile A1 using two carriage bolts and one wood plug.
Then attach B4 Bottom Rail using two carriage bolts.



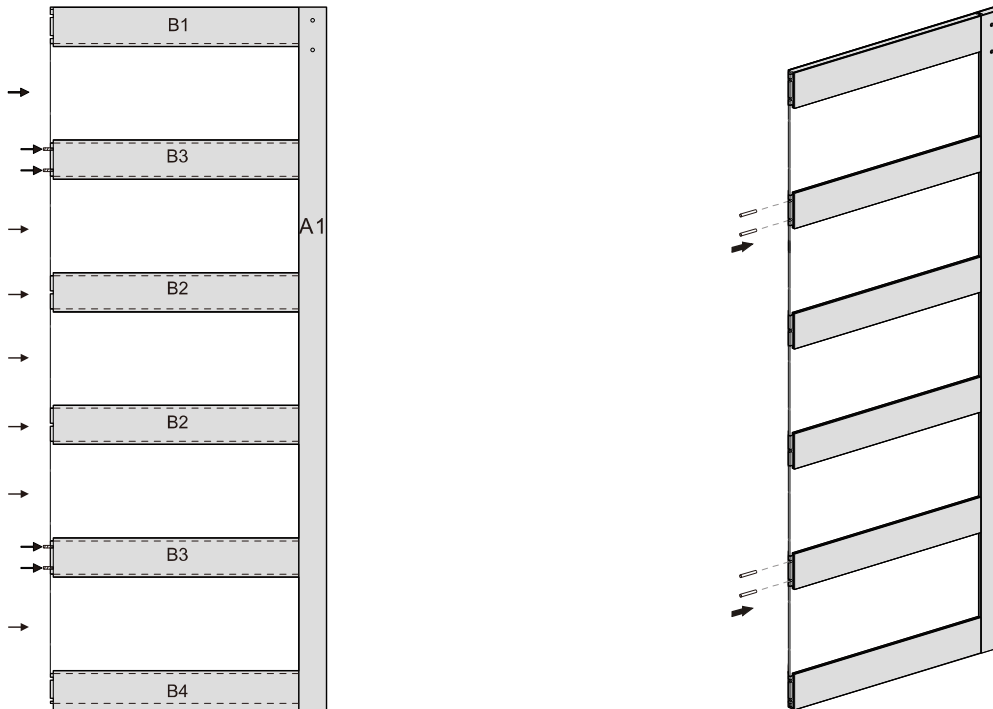
Step 2.

Connect each Rail B2 to Side Stile A1 using one wood plug and one carriage bolt.
Connect each Rail B3 to Side Stile A1 using two wood plugs.
Make sure each Rail of B1,B2,B3 and B4 tightly connected with A1.



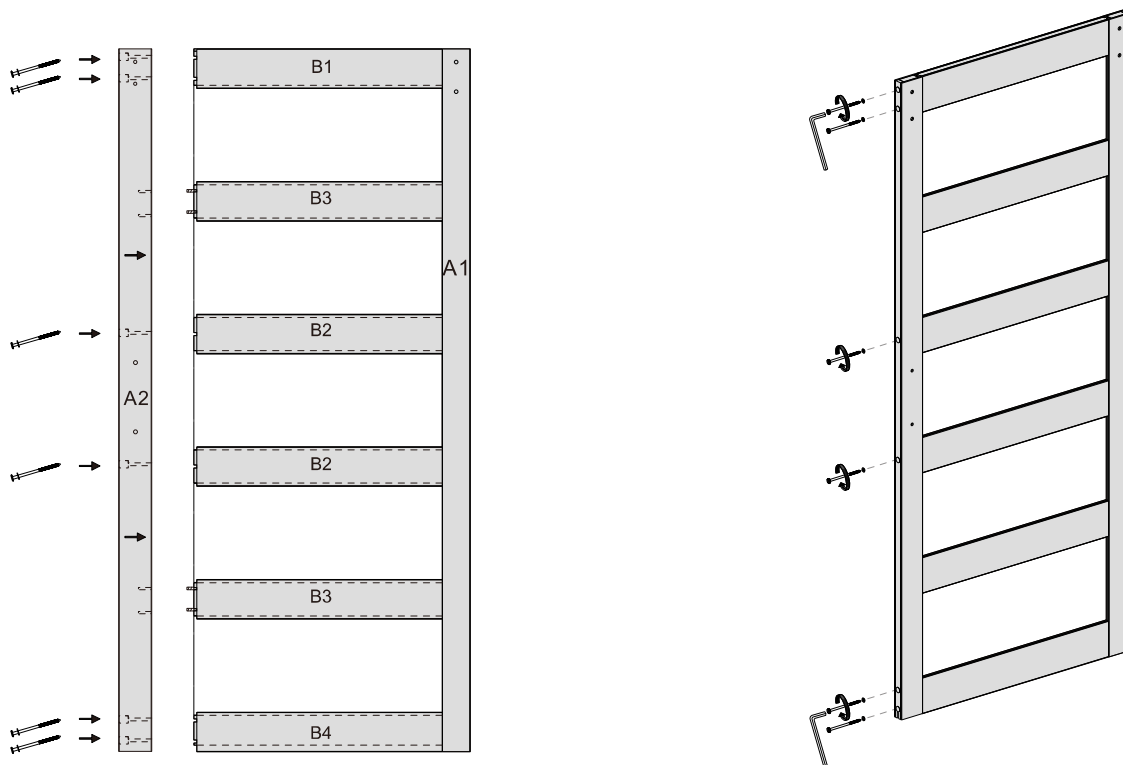
Step 3.

Gently slide five G tempered glass panels into Side Stile A1 groove. Then insert 2 wood plugs into each left side of Rail B3 and 1 wood plug into each left side of Rail B2.



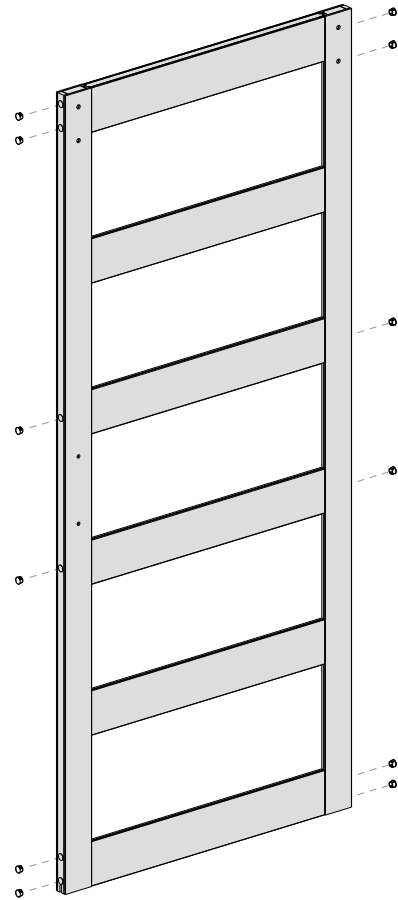
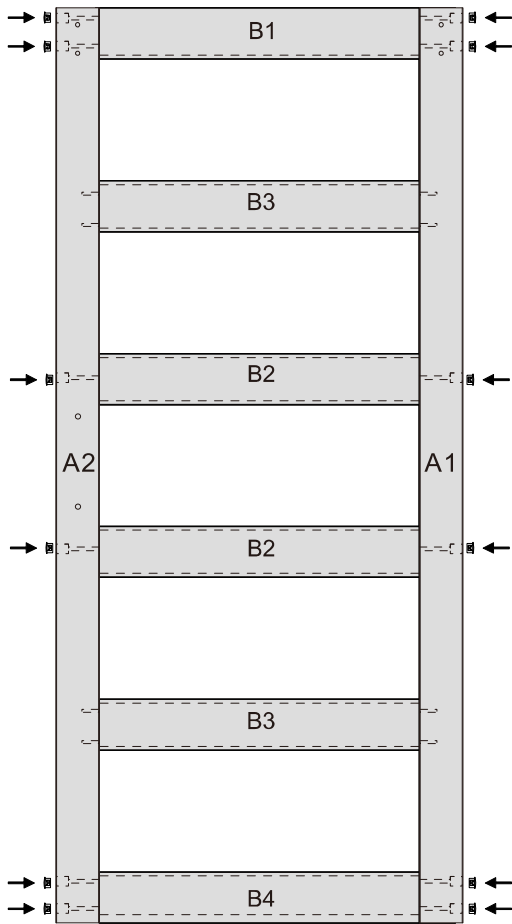
Step 4.

Align Side Stile A2 holes with wood plugs and make sure all the tempered glass align with stile is groove. Fasten Side Stile A2 with Rail B1, B2 and B4 using carriage bolts.

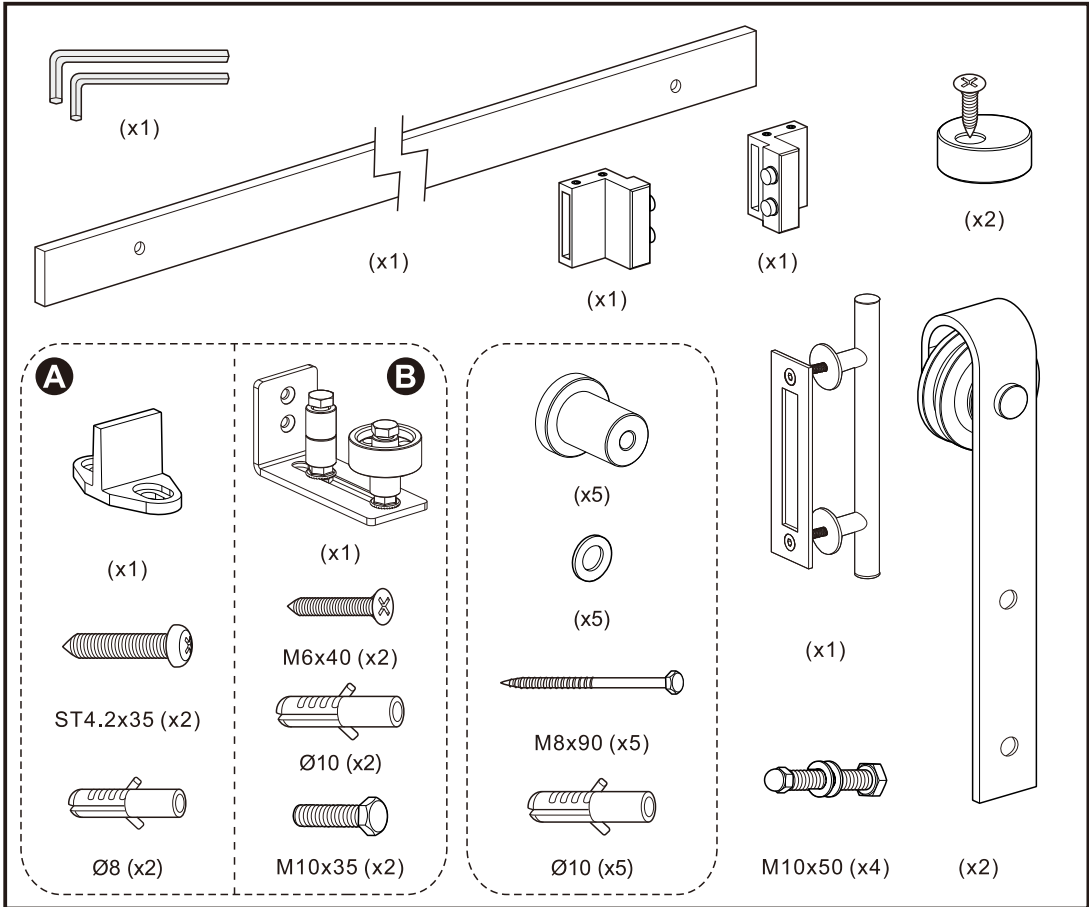
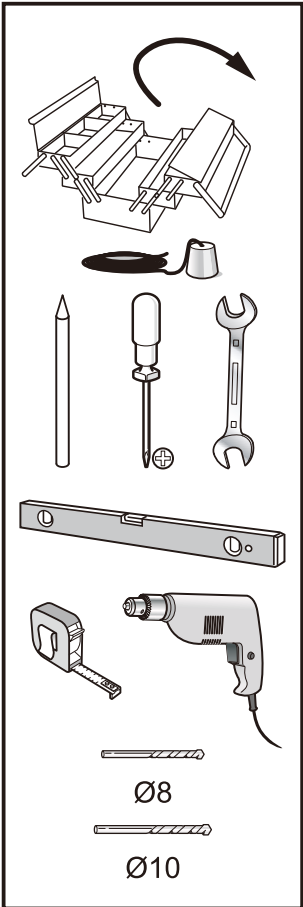
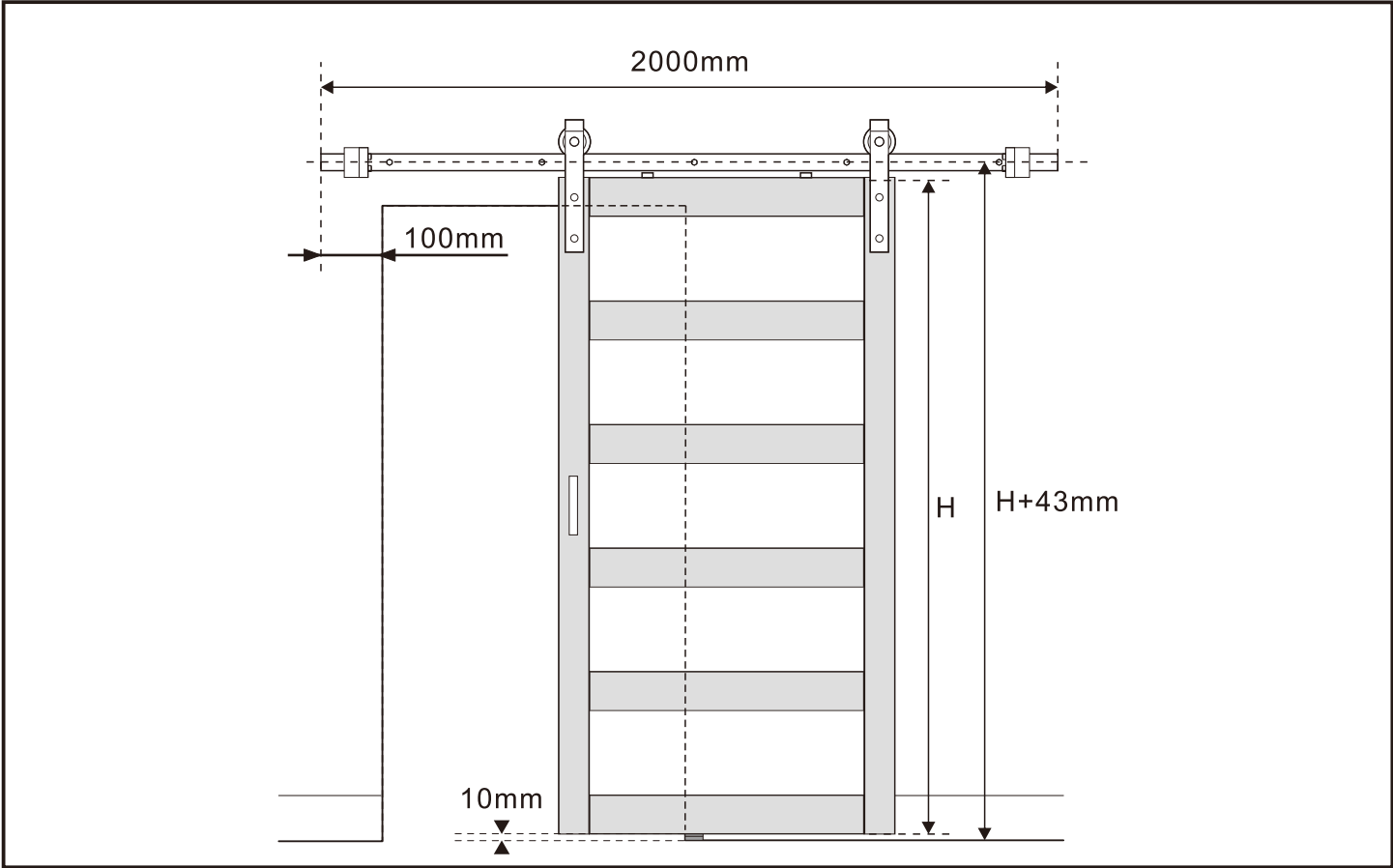


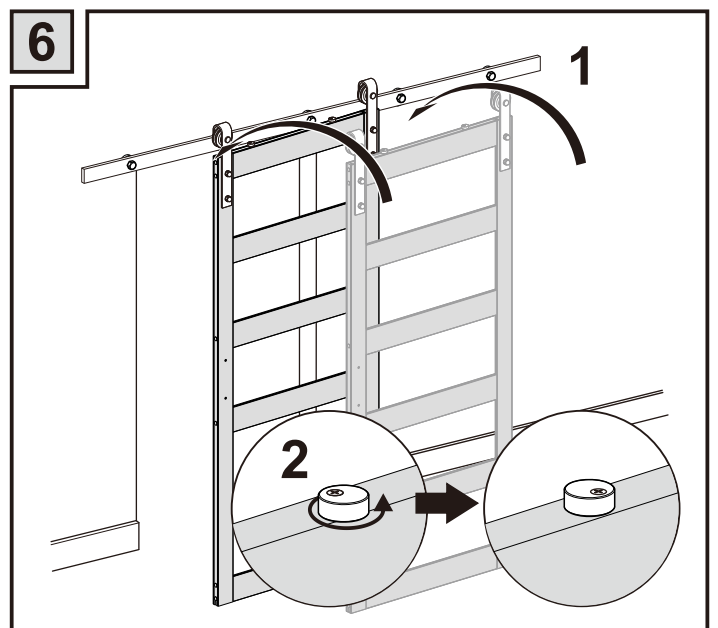
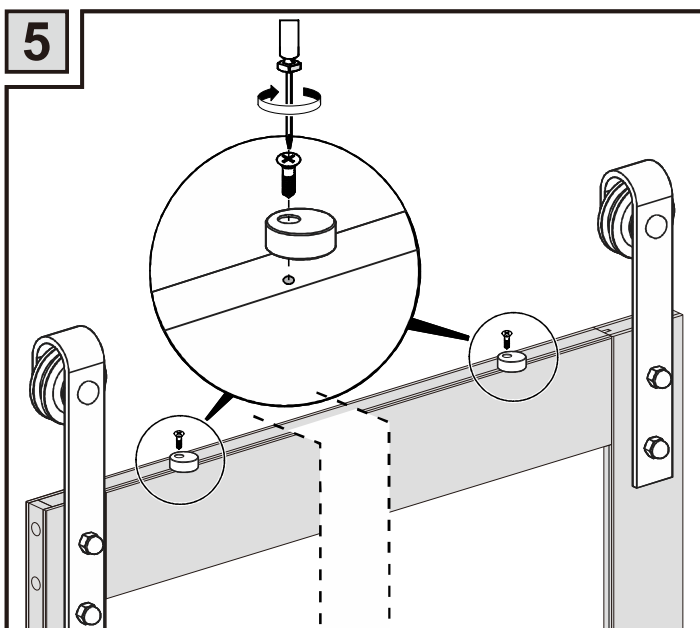
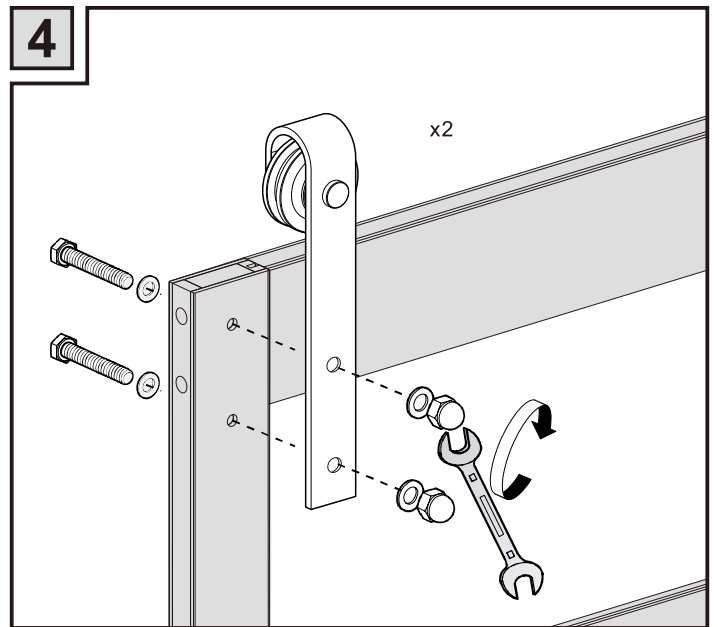
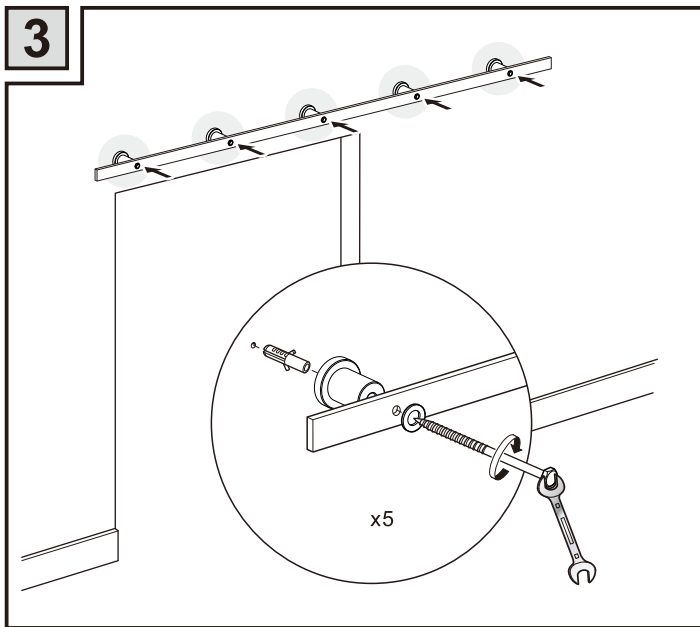
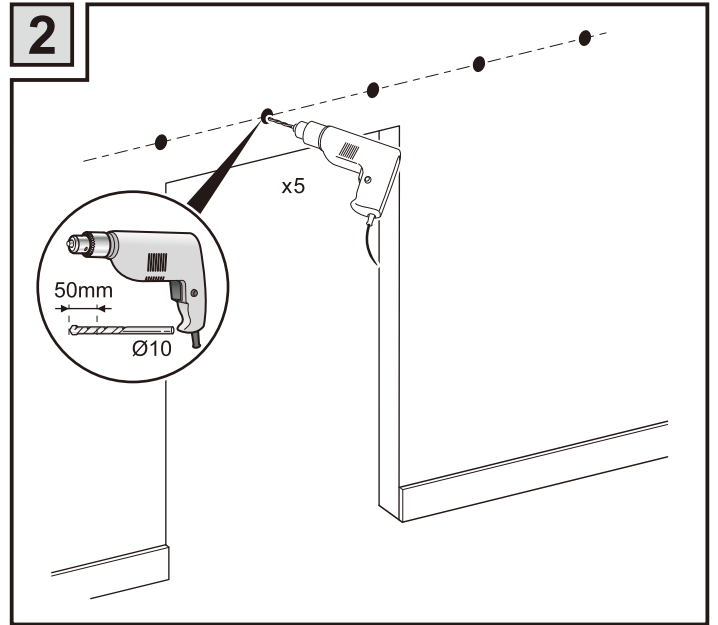
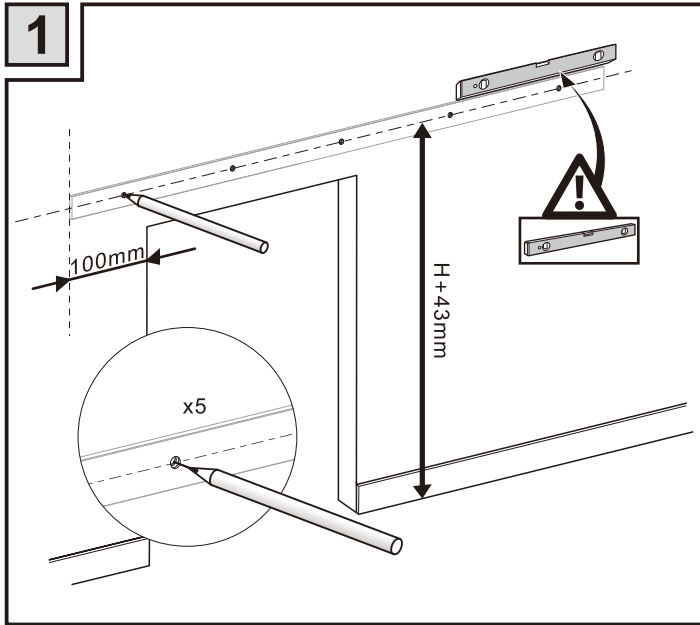
Step 5.

Make sure all bolts are tightened, place **E Plastic Caps** on top of the bolts and flush with Side Stile surface.

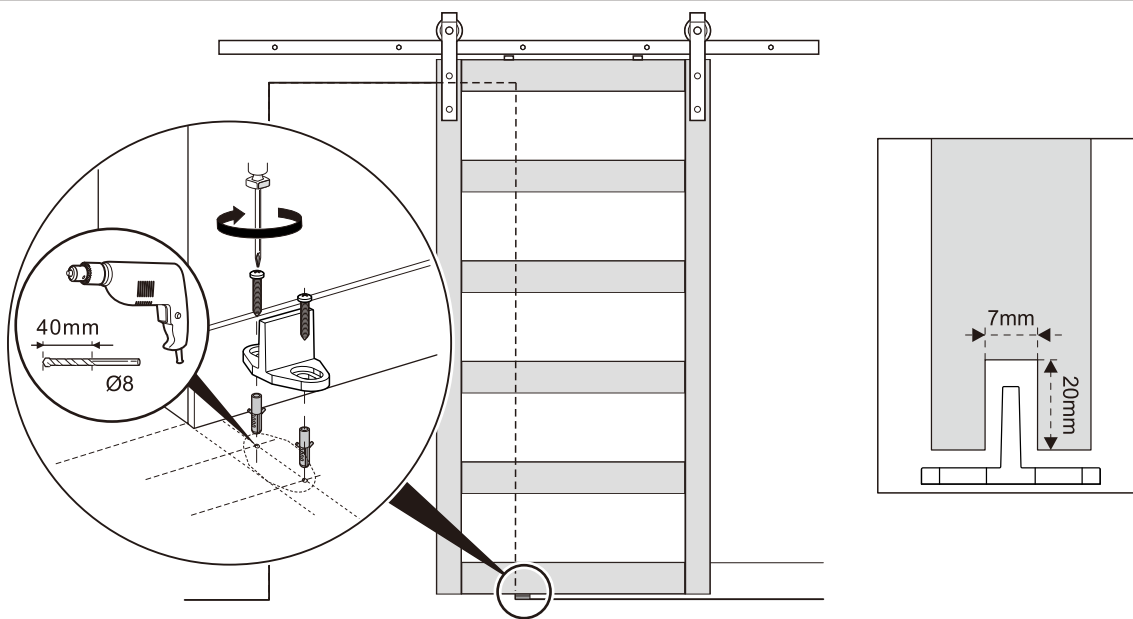


Installation Manual

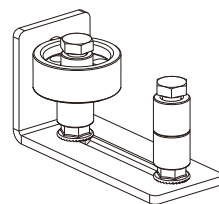
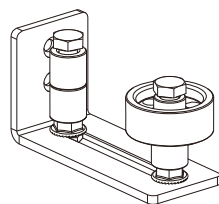
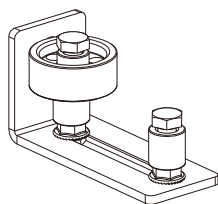
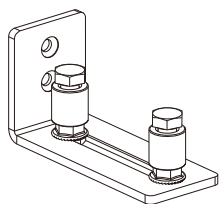
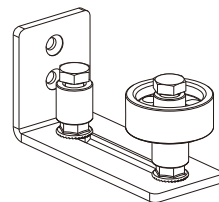
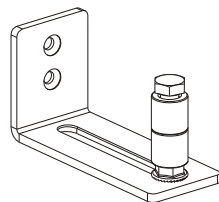
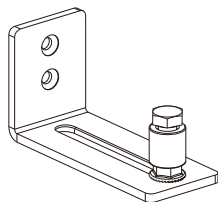
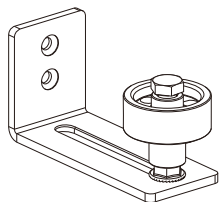
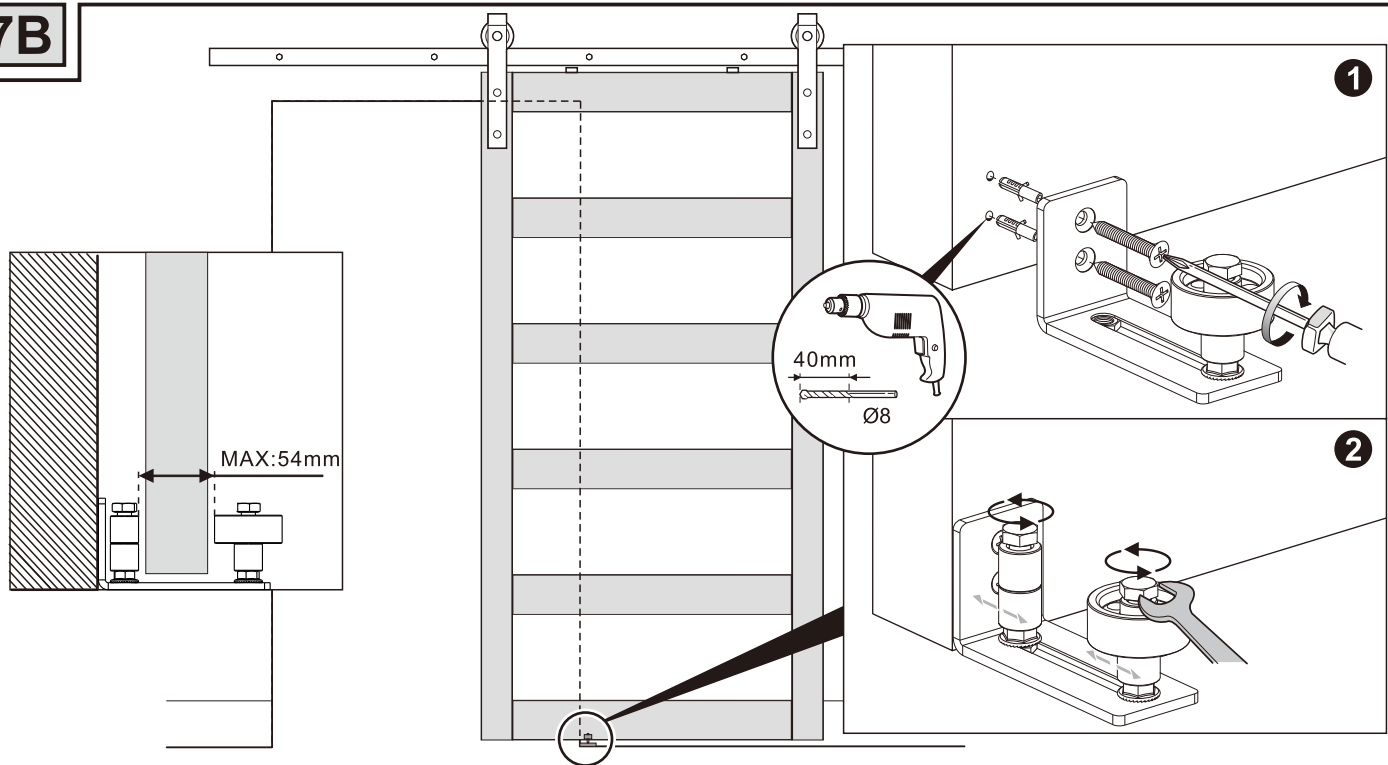




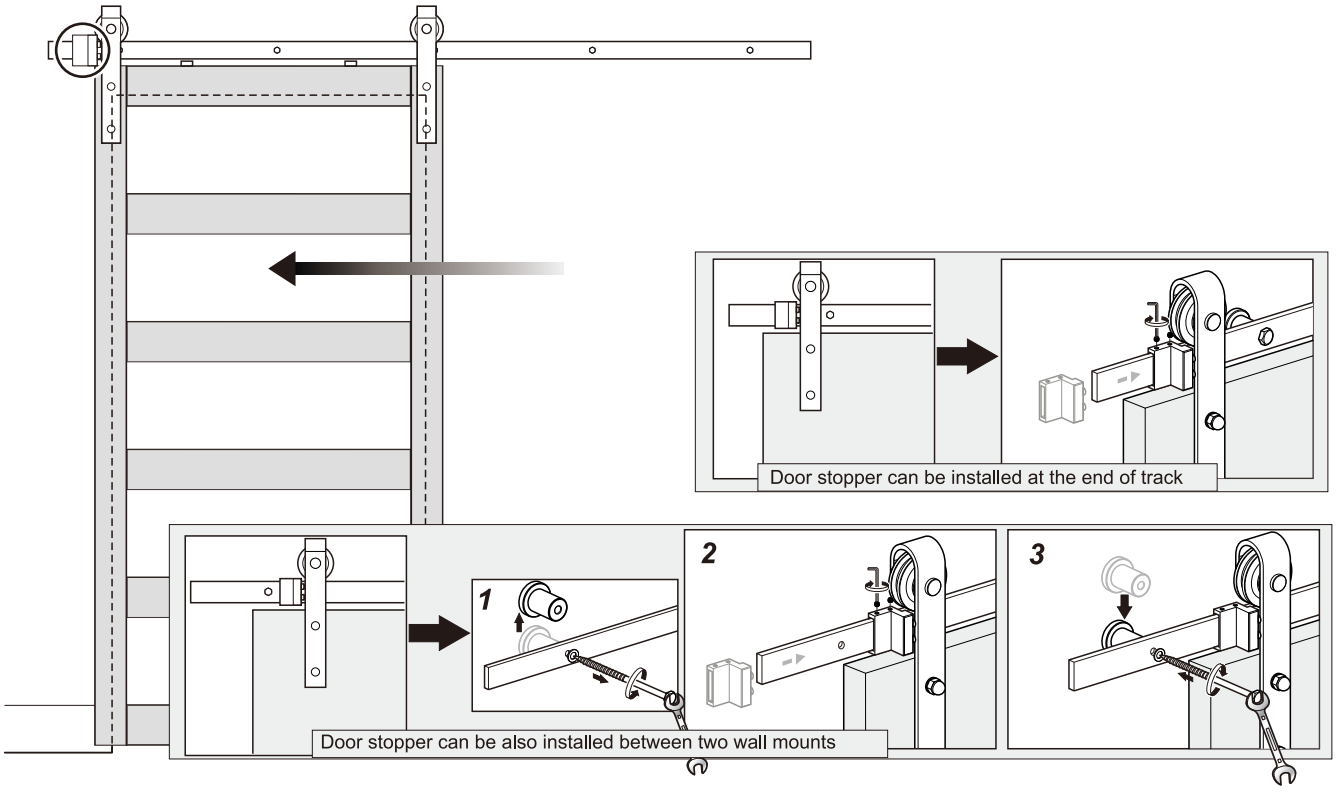
7A



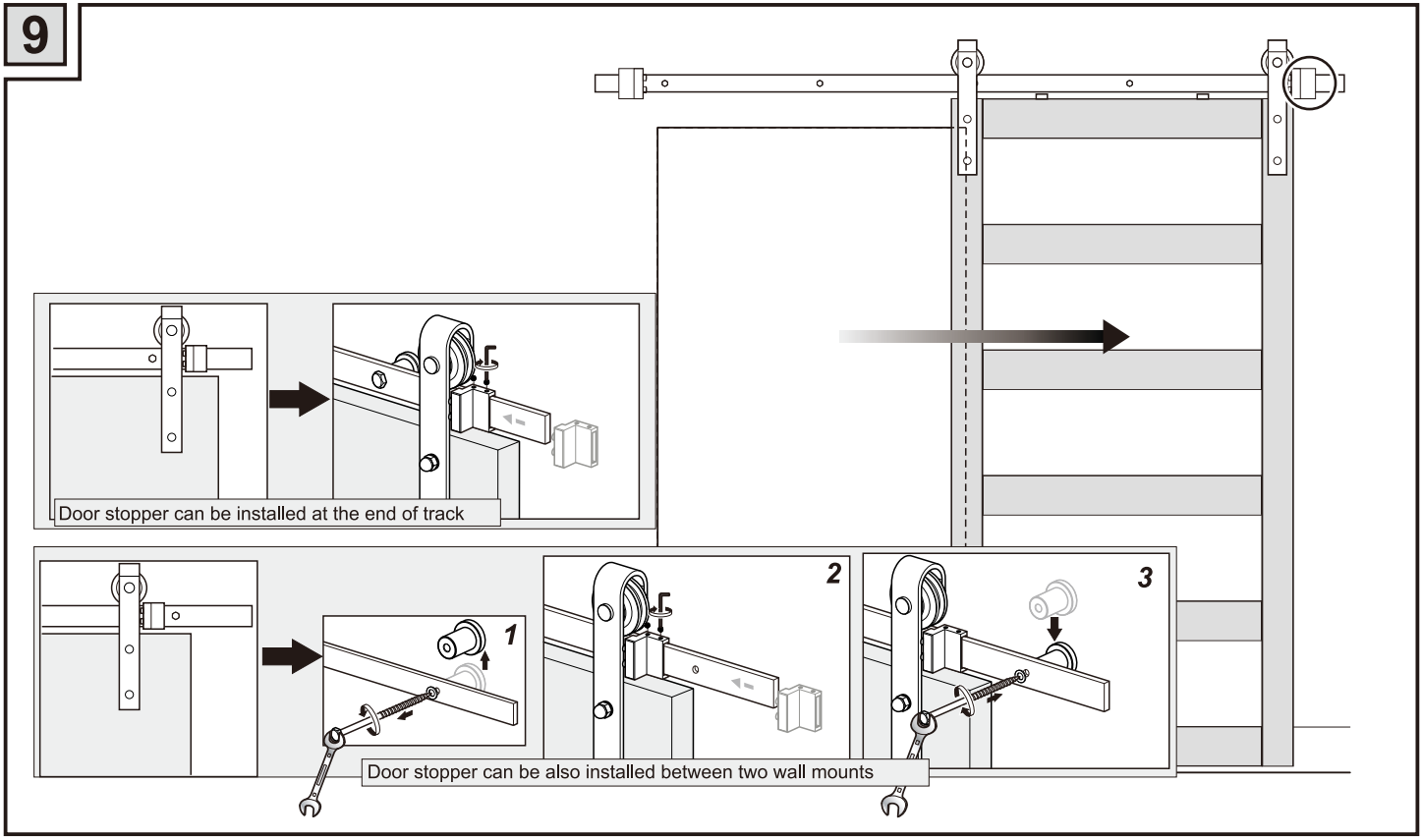
7B



8



9



10

