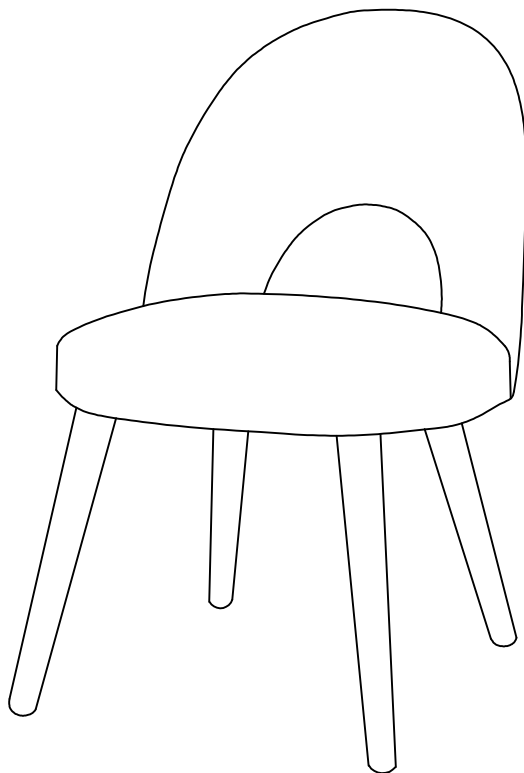


UPHOLSTERED CHAIR

Thank you for purchasing this product. Please read the instructions carefully before use to ensure safe and satisfactory operation of this product.



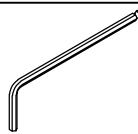
Pre-assembly preparation

Please ensure instructions are read in full before attempting to assemble this product.

Necessary Tools



(Included)



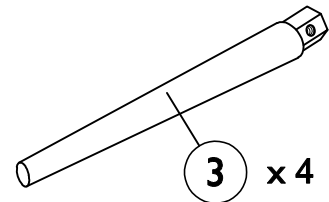
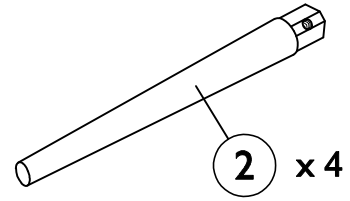
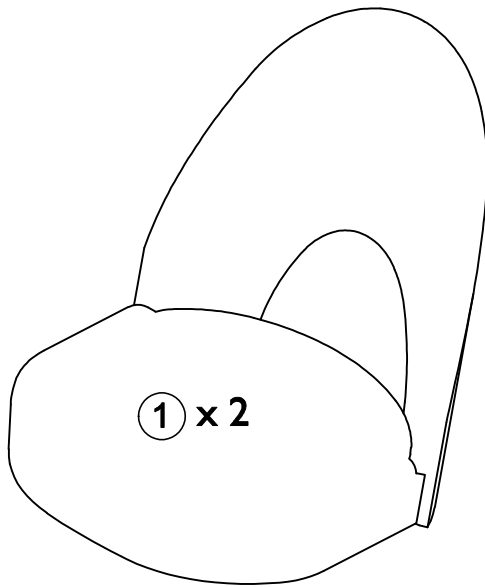
Please check the pack contents before attempting to assemble this product. A full checklist of components is given in this leaflet. If any components are missing, please contact the retailer from whom you bought this product.

This product takes approximately **15 MINUTES** to assemble with **1 PERSON**.

All assembly should be performed on a flat, stable, clean and soft surface.

The fitting pack contains **SMALL ITEMS** which should be **KEPT AWAY FROM YOUNG CHILDREN**.

IMPORTANT: Retain these instructions for future reference.



Fittings and parts checklist

Item	Description	Qty.	Item	Description	Qty.
1	Seat pad	x 2	3	Back leg	x 4
2	Front leg	x 4			
A	Hex head bolt M8x40	x 8	C	Lock washer Ø8.4x2mm	x 8
B	Flat washer Ø8.4xØ17x1.6mm	x 8	D	Allen key (M4x30x110)	x 1

Step By Step Assembly Instructions

- Step 1** 1.1 : Attach back legs (3) onto seat pad (1) as shown. Ensure the pre-drilled holes on back legs (3) are aligned correctly with the pre-drilled holes on seat pad (1) before attaching.
1.2 : Insert lock washers (C) and flat washers (B) onto hex head bolts (A) and then insert hex head bolts (A) with lock washers (C) and flat washers (B) into the pre-drilled holes on wooden corners as shown. Use allen key (D) to turn fittings (A) clockwise to fix.

Fitting



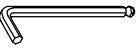
A x 2



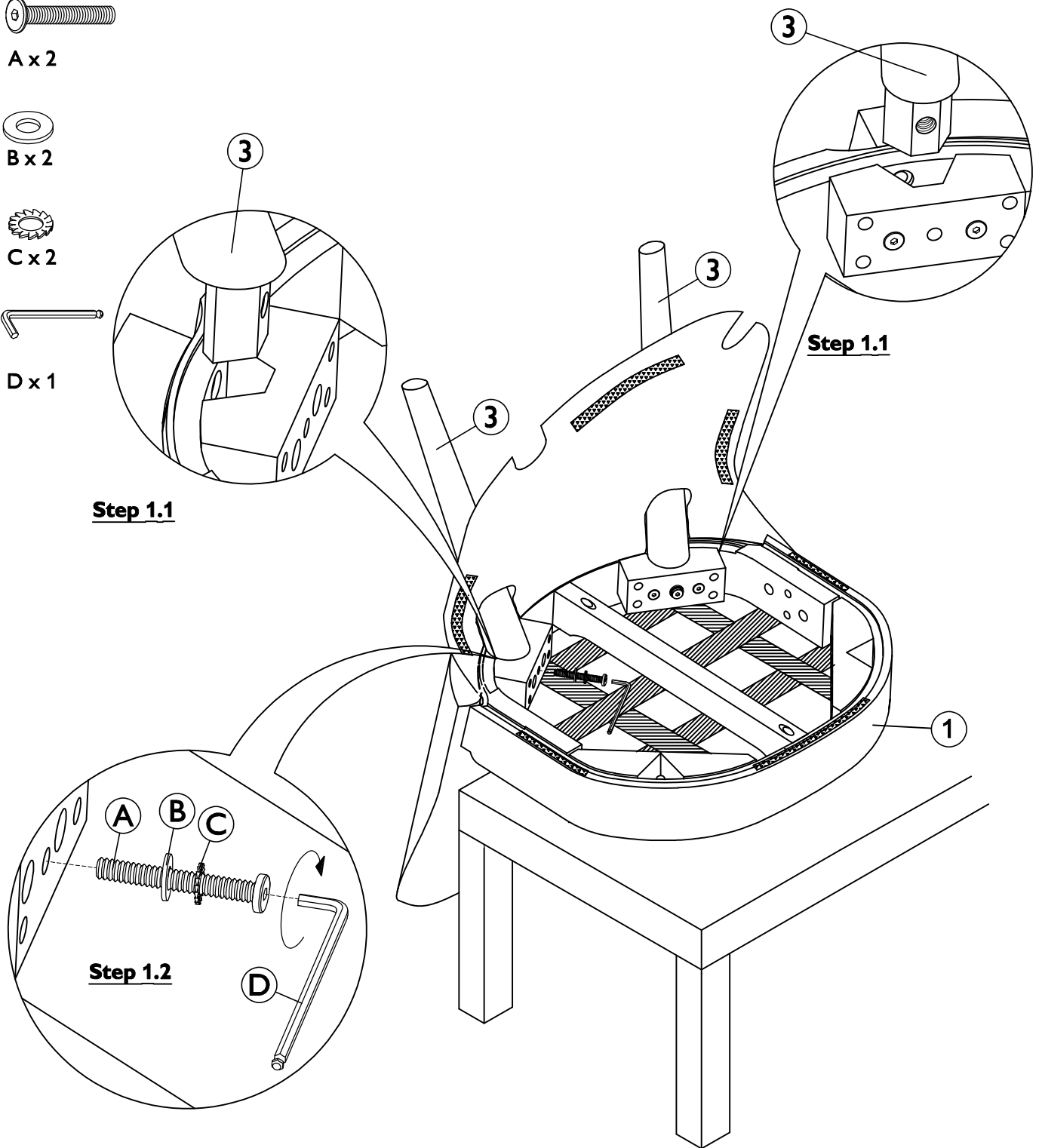
B x 2



C x 2



D x 1



Step By Step Assembly Instructions

- Step 2** 2.1 : Attach front legs (2) onto seat pad (1) as shown. Ensure the pre-drilled holes on front legs (2) are aligned correctly with the pre-drilled holes on seat pad (1) before attaching.
2.2 : Insert lock washers (C) and flat washers (B) onto hex head bolts (A) and then insert hex head bolts (A) with lock washers (C) and flat washers (B) into the pre-drilled hole on wooden corners as shown. Use allen key (D) to turn fittings (A) clockwise to fix.

Fitting



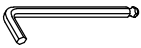
A x 2



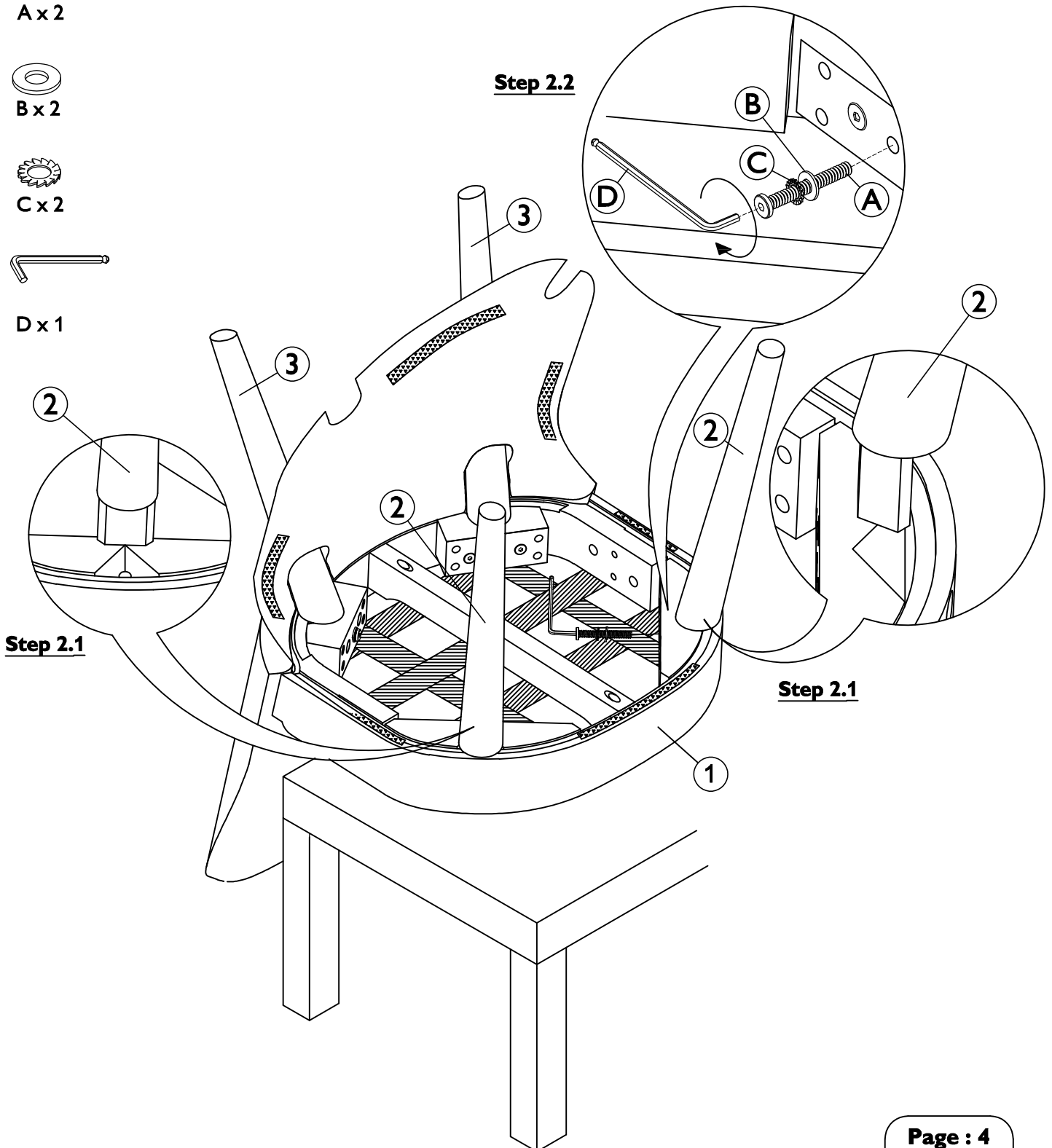
B x 2



C x 2

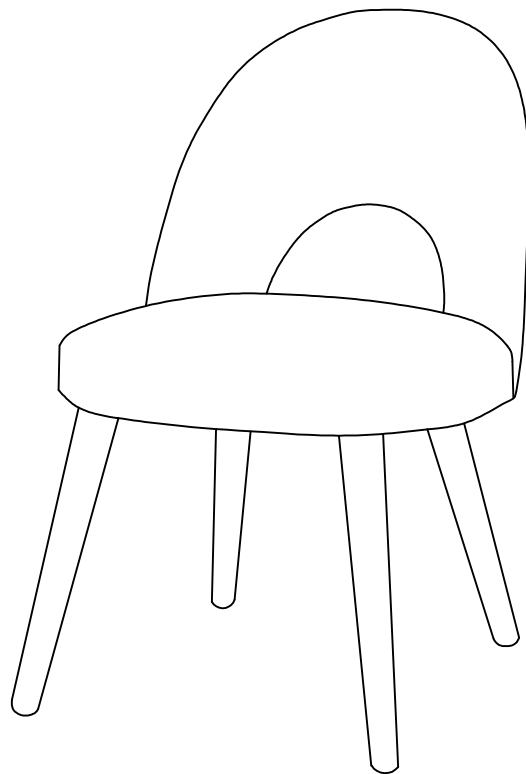
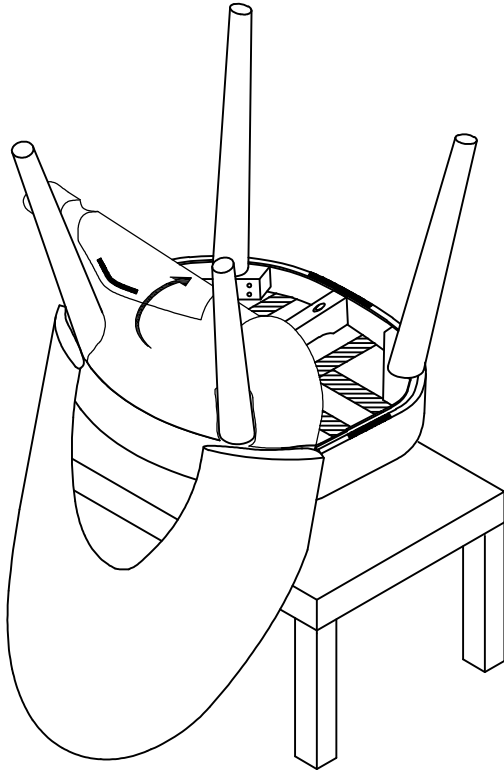


D x 1



Step By Step Assembly Instructions

Step 3 : Fit the under cloth back onto the base of the seat.
Repeat the complete process for second chair.



Assembly is complete

Care and Maintenance

How to care for your wood furniture

Dust with a clean, damp, lint free cloth. Frequent dusting will remove abrasive build up, which can damage the finish over time.

Do not use a very wet cloth or allow any liquid to contact with the veneers for a long period of time as this can permanently damage the surface. Wipe up spills immediately.

Do not use any abrasive cleaner or harsh detergent as this can damage the surface of the furniture.

Spray polishes are best avoided as they contain silicones which may spoil the furniture's surface when building up over time.

Make sure all surfaces are protected from heat and liquids by mats and coasters.

Ensure that a mat or pad is placed under paper when you are writing on the furniture surface.

Do not place rubber, cork, vinyl or plastic materials on the wood finish as chemicals within may react with the finish if left in contact for an extended period of time.

Our furniture will endure most temperatures in the home but it is best to avoid placing furniture next to heat sources such as radiators or fires. Be particularly careful with solid wood as the lack of humidity caused by home heating can cause damage such as warping, cracking or splitting.

Excessive exposure to sunlight can cause fading of your furniture.

Avoid exposing your furniture to any liquids. All liquids should be wiped up immediately with a soft, slightly damp cloth in the direction of the wood grain. If sticky liquid residues do occur, they may be removed with a dilute solution of warm soapy water followed by a clean, damp sponge. The area should then be wiped immediately in the direction of the wood grain with a clean, soft white cloth until completely dry.

Nail polish remover, hairspray, perfume, potpourri & any other products that contains solvents can damage wood upholstery finishes.

Upholstered furniture

The upholstery should not be exposed for long periods to direct sunlight as this may cause fading and deterioration of the cover material. Protect from exposure to sources of heat such as radiators or open flames.

It is recommended to give the upholstery a frequent vacuuming or light brushing.

It is very important to rub very gently to avoid colour change. This proper cleaning will prevent buildup of dust, soil and oils which can be damaging to the cover material. In the event of spillage it is imperative to act quickly. Carefully soak up any excess liquid, ideally using the edge of a white paper towel, then dab gently with a fresh towel taking care to avoid soaking in or spreading of the remaining liquid.

Safety Instructions:

Never drag furniture when moving it. Always lift it.

Periodically check all fixings to ensure none have come loose. Re-tighten when necessary.

Please take care when handling or moving the furniture as careless handling may cause damage or injury.

Furniture can be dangerous if incorrectly assembled. Assembly should be carried out by a competent person.

No liability will be accepted for damage or injury caused by incorrectly installed or assembled furniture.

Chair warning:

Never tilt the chair. Ensure the chair is always placed firmly on the ground.

