



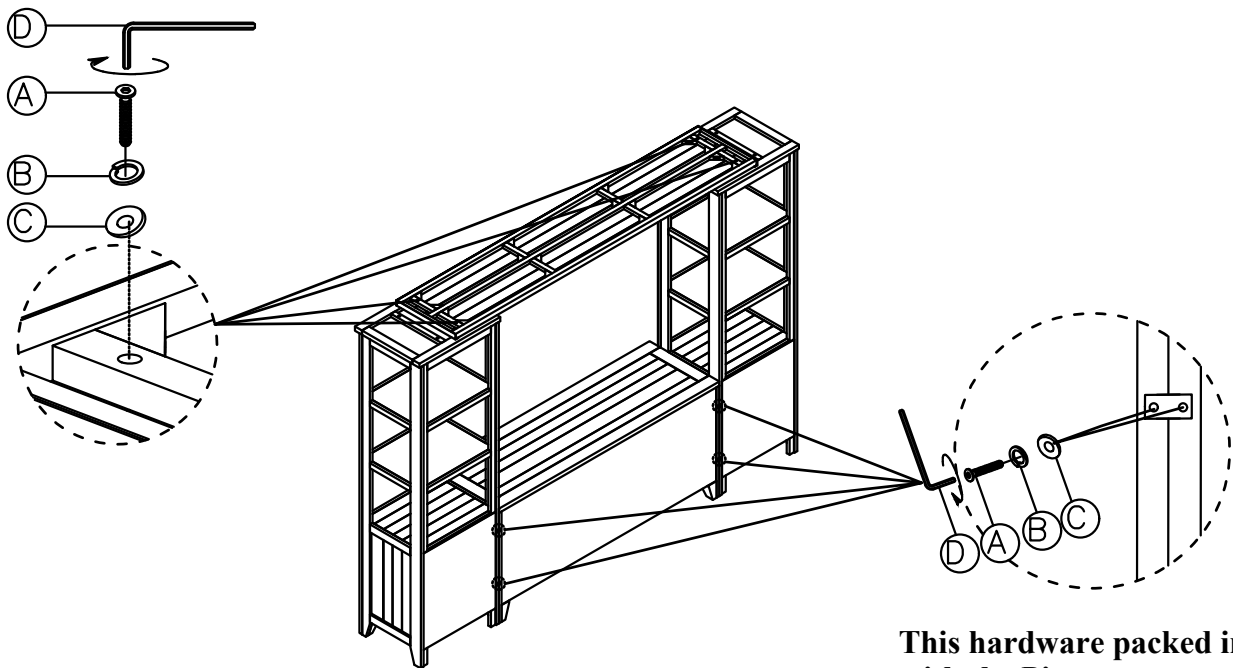


ASSEMBLY INSTRUCTIONS & PARTS IDENTIFICATION PIER BRIDGE

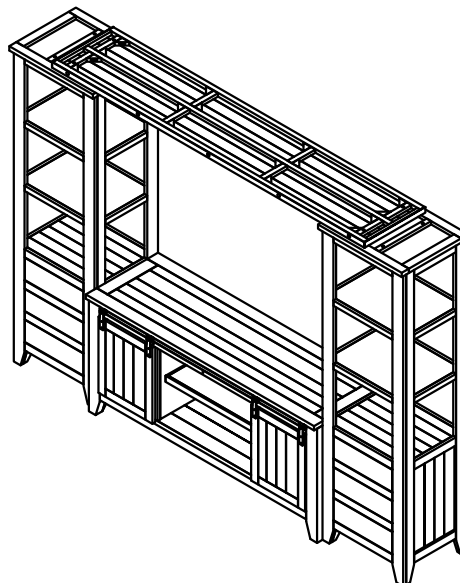
Thank you for purchasing this quality product. Be sure to check all packing material carefully for small parts that may have come loose inside the carton during shipment.

Hardware Kit				
No	Description			Q'ty
A		Bolt	Ø6.3 x 50	4 pcs
B		Lock washer	Ø6.5	4 pcs
C		Flat washer	Ø6.5	4 pcs
D		Allen key		1 pc

ATTACHING THE PIER BRIDGE
TO THE PIERS








**This hardware packed in
with the Pier**

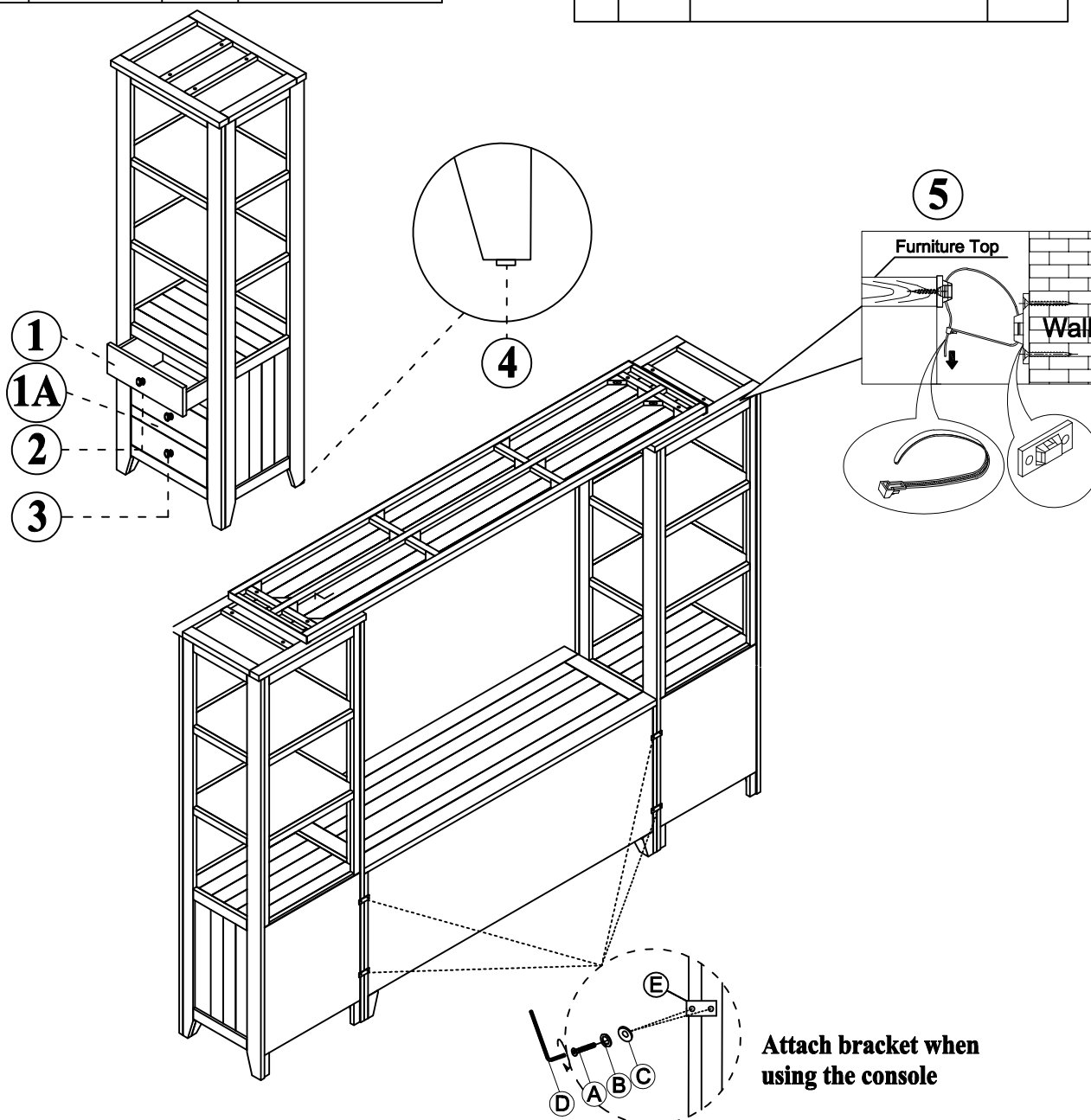


ASSEMBLY INSTRUCTIONS & PARTS IDENTIFICATION PIER

Thank you for purchasing this quality product. Be sure to check all packing material carefully for small parts that may have come loose inside the carton during shipment.

Parts key			
No	Code	Q'ty	Description
1	a	1 Pc	Top Drawers
1A	b	1 Pc	Bottom Drawers
2	b	2 Pcs	Drawer Glide
3	c	3 Pcs	Knob W/ Screw
4	d	4 Pcs	Levelers
5	e	1 Set	Anti- Tip Kit

Hardware Kit 1706-22P01			
No		Description	Q'ty
A		Bolt Ø6.3 x 20	4 pcs
B		Lock washer Ø6.3	4 pcs
C		Flat washer Ø6.3	4 pcs
D		Allen key	1 pc
E		Metal Bracket	2 pcs



MADE IN VIETNAM

ASSEMBLY INSTRUCTIONS & PARTS IDENTIFICATION CONSOLE

Thank you for purchasing this quality product. Be sure to check all packing material carefully for small parts that may have come loose inside the carton during shipment.

Parts key			
No	Code	Q'ty	Description
1	a	1 Pc	Right facing Door
2	b	1 Pc	Left Facing Door
3	c	2 Pcs	Pull w/ Screw
4	d	1 Pc	Middle Shelf
5	e	2 Pcs	Side shelf
6	f	12 Pcs	Shelf Pin
7	g	5 Pcs	Leveler
8	h	1Pc	Center Leg

